



US00D637168S

(12) **United States Design Patent**
Kodera et al.

(10) **Patent No.:** **US D637,168 S**
(45) **Date of Patent:** **** May 3, 2011**

(54) **TELEVISION SET**
(75) Inventors: **Takeshi Kodera**, Osaka (JP); **Tohru Ohtani**, Osaka (JP)
(73) Assignee: **Sharp Kubushiki Kaisha**, Osaka (JP)
(**) Term: **14 Years**
(21) Appl. No.: **29/376,413**
(22) Filed: **Oct. 6, 2010**
(30) **Foreign Application Priority Data**
Apr. 9, 2010 (JP) 2010-009004
(51) **LOC (9) Cl.** **14-03**
(52) **U.S. Cl.** **D14/126**
(58) **Field of Classification Search** D14/125-134,
D14/239, 371, 136, 374-377, 440, 450, 448,
D14/336, 342; 312/7.2; 348/836, 838, 180,
348/184, 325, 739; 341/12; 248/917-924,
248/465; 345/104, 133, 156, 168, 87, 173;
720/605, 669, 600, 655; 369/99, 197; 455/344,
455/347; D21/329, 515, 577, 622, 333, 433,
D21/448, 452, 450, 331; D6/477, 479, 300;
273/148 B; 446/484, 175, 356; D10/15,
D10/26

See application file for complete search history.

(56) **References Cited**

U.S. PATENT DOCUMENTS

D427,169 S 6/2000 Saeki et al.
D429,227 S 8/2000 Shimizu
D431,537 S 10/2000 Saeki et al.
D438,848 S 3/2001 Kita
D439,224 S 3/2001 Kita
D439,225 S 3/2001 Kita
D453,747 S 2/2002 Kita
D453,748 S 2/2002 Kita
D456,370 S 4/2002 Kita

D458,910 S 6/2002 Kita
D492,269 S 6/2004 Kita
D496,915 S 10/2004 Kita
D497,351 S 10/2004 Kita
D497,599 S 10/2004 Kita
D499,076 S 11/2004 Kita
D499,730 S * 12/2004 Yamashiro D14/375
D501,186 S 1/2005 Kita
D501,654 S 2/2005 Kita
D502,451 S 3/2005 Kita
D502,931 S 3/2005 Kita
D505,123 S 5/2005 Kita
D510,731 S 10/2005 Kita
D512,385 S 12/2005 Kita
D512,386 S 12/2005 Kita
D512,387 S 12/2005 Kita
D538,242 S 3/2007 Kita
D538,762 S 3/2007 Fujii et al.

(Continued)

OTHER PUBLICATIONS

U.S. Appl. No. 29/364,080, filed Jun. 18, 2010 (pending).

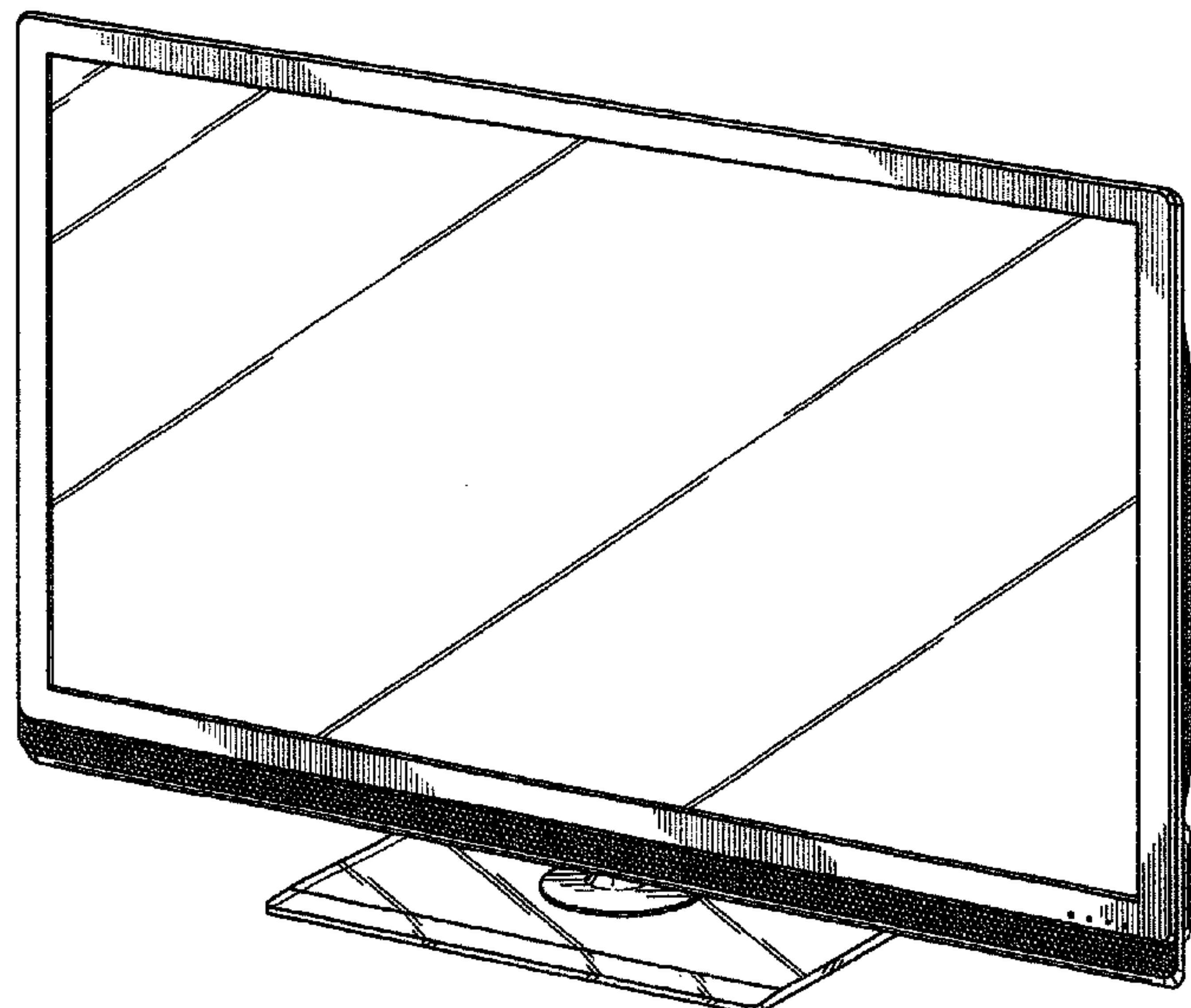
Primary Examiner — Raphael Barkai
(74) *Attorney, Agent, or Firm* — Nixon & Vanderhye, P.C.

(57) **CLAIM**
The ornamental design for “television set,” as shown and described.

DESCRIPTION

FIG. 1 is a top right front perspective view of the television set in accordance with our new design;
FIG. 2 is a front elevation view thereof;
FIG. 3 is a rear elevation view thereof;
FIG. 4 is a top plan view thereof;
FIG. 5 is a bottom plan view thereof;
FIG. 6 is a right side elevation view thereof; and,
FIG. 7 is a left side elevation view thereof.
Portions of the design shown in dashed lines form no part of the claimed subject matter.

1 Claim, 5 Drawing Sheets



US D637,168 S

Page 2

U.S. PATENT DOCUMENTS

D538,763 S	3/2007	Fujii et al.	
D539,766 S	4/2007	Kita	
D540,281 S	4/2007	Kita	
D540,282 S	4/2007	Kita	
D540,284 S	4/2007	Kita	
D540,285 S	4/2007	Kita	
D541,237 S	4/2007	Kita	
D541,240 S	4/2007	Kita	
D541,766 S	5/2007	Kita	
D541,772 S	5/2007	Kita	
D541,774 S	5/2007	Kita	
D541,775 S	5/2007	Kita	
D543,519 S	5/2007	Kita	
D544,850 S	6/2007	Kita	
D545,282 S	6/2007	Kita	
D545,775 S	7/2007	Kita	
D545,779 S	7/2007	Kita	
D545,780 S	7/2007	Kita	
D546,301 S	7/2007	Kita	
D546,302 S	7/2007	Kita	
D546,303 S	7/2007	Fujii et al.	
D551,187 S	9/2007	Kita	
D552,050 S	10/2007	Fujii et al.	
D552,569 S	10/2007	Kita	
D552,571 S	10/2007	Fujii et al.	
D554,085 S	10/2007	Kita	
D557,228 S	* 12/2007	Matsumoto et al.	D14/126
D562,275 S	2/2008	Iinuma et al.	
D564,989 S	3/2008	Kita	
D565,518 S	* 4/2008	Tu	D14/126
D566,067 S	4/2008	Kita	
D567,197 S	4/2008	Kita	
D568,264 S	5/2008	Fujii et al.	
D568,265 S	5/2008	Fujii et al.	
D568,266 S	5/2008	Shimamoto	
D568,844 S	* 5/2008	Fujii et al.	D14/126
D570,311 S	6/2008	Kita	
D570,312 S	6/2008	Kita	
D571,320 S	6/2008	Kita	
D575,248 S	8/2008	Fujii et al.	
D576,972 S	* 9/2008	Niitsu	D14/126
D580,896 S	* 11/2008	Niitsu	D14/126
D584,255 S	1/2009	Kita	
D584,256 S	* 1/2009	Kita	D14/126
D584,257 S	1/2009	Kita	
D584,702 S	1/2009	Iinuma et al.	
D584,703 S	* 1/2009	Kimura et al.	D14/126
D584,705 S	1/2009	Shimamoto	
D585,396 S	1/2009	Kita	
D586,769 S	2/2009	Kita	
D597,976 S	* 8/2009	Gredler et al.	D14/126
D598,874 S	* 8/2009	Lin et al.	D14/126
D599,759 S	* 9/2009	Chino	D14/126
D620,907 S	* 8/2010	Shimizu	D14/126
D623,613 S	* 9/2010	Shindo	D14/126

* cited by examiner

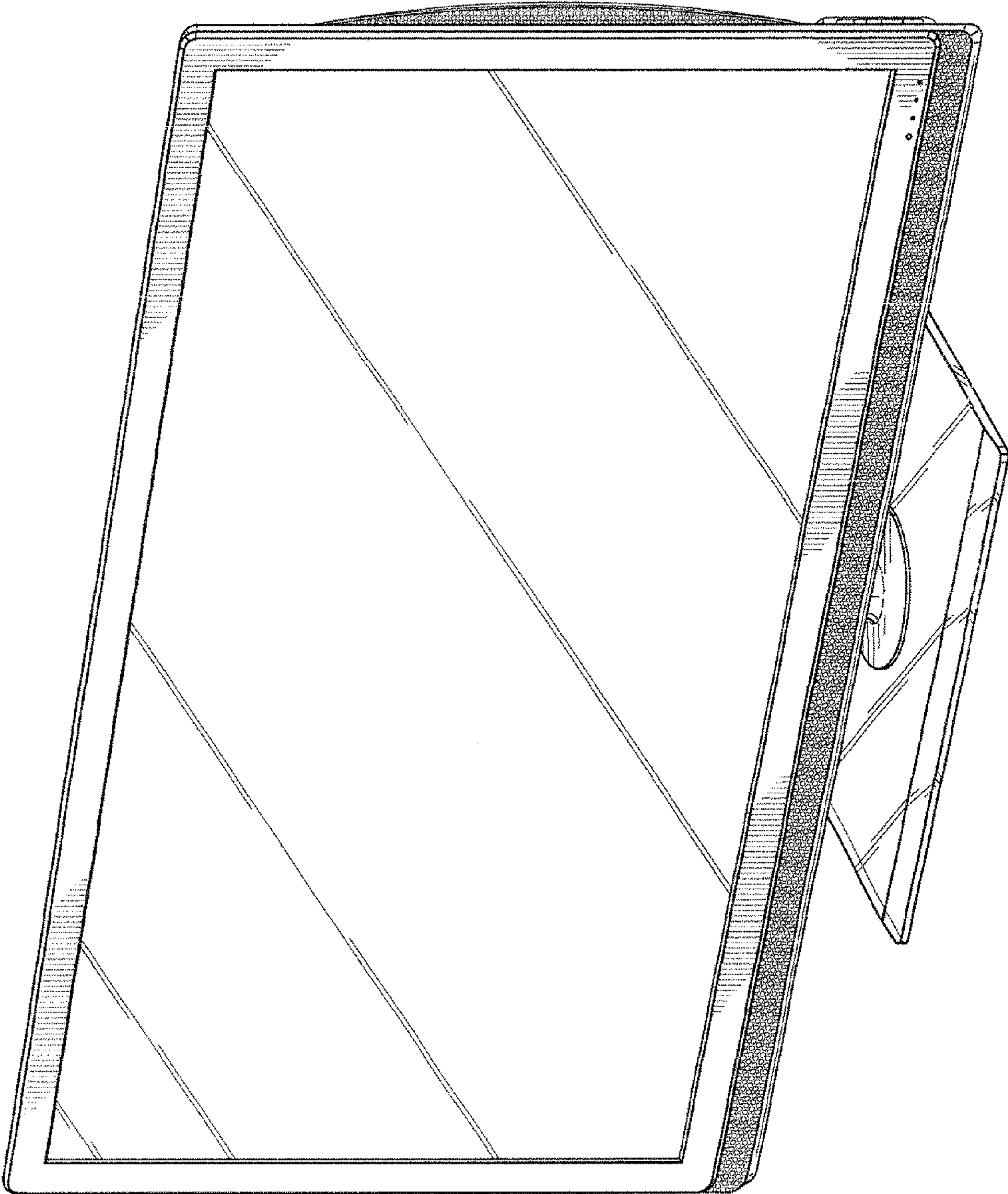


FIG. 1

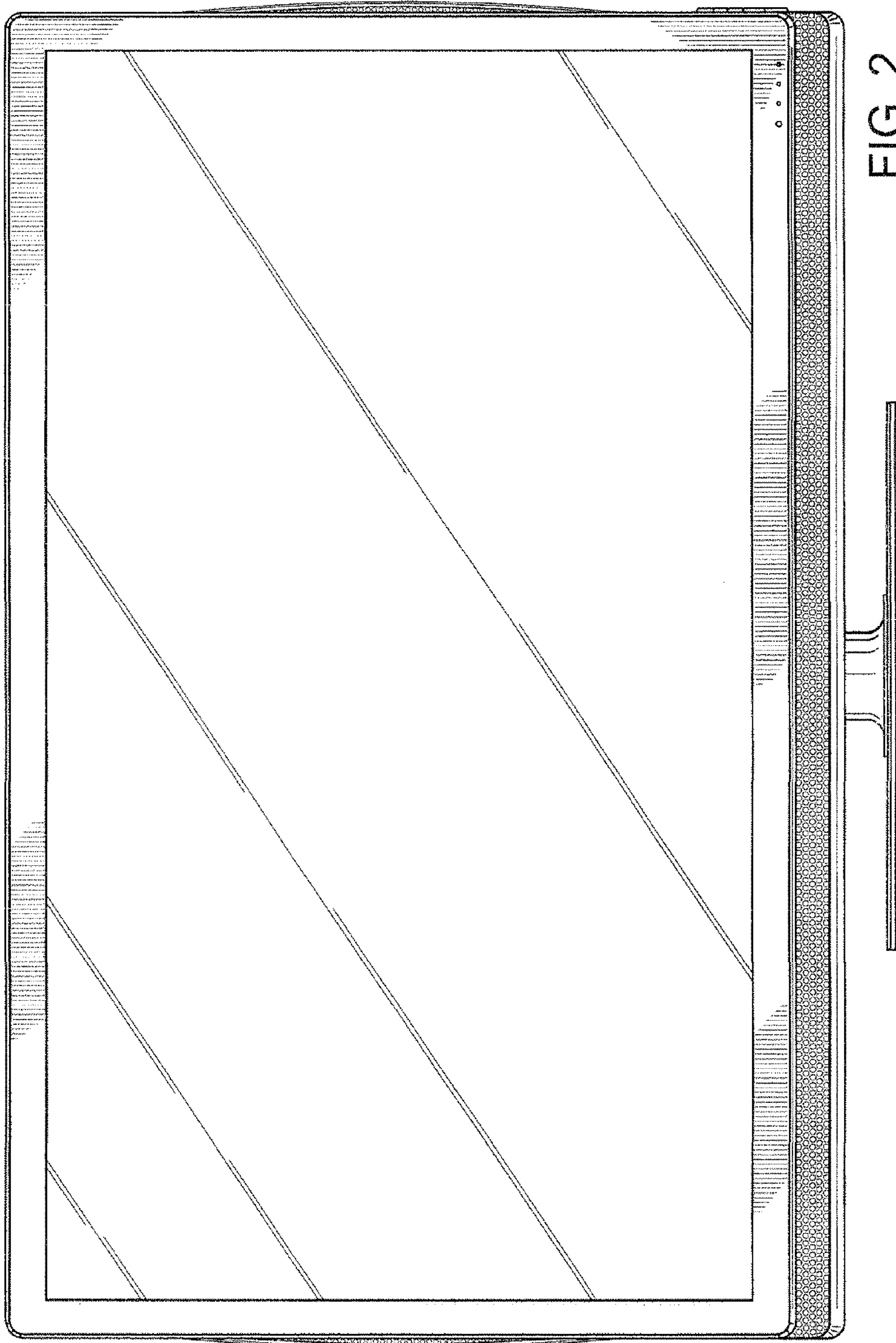


FIG. 2

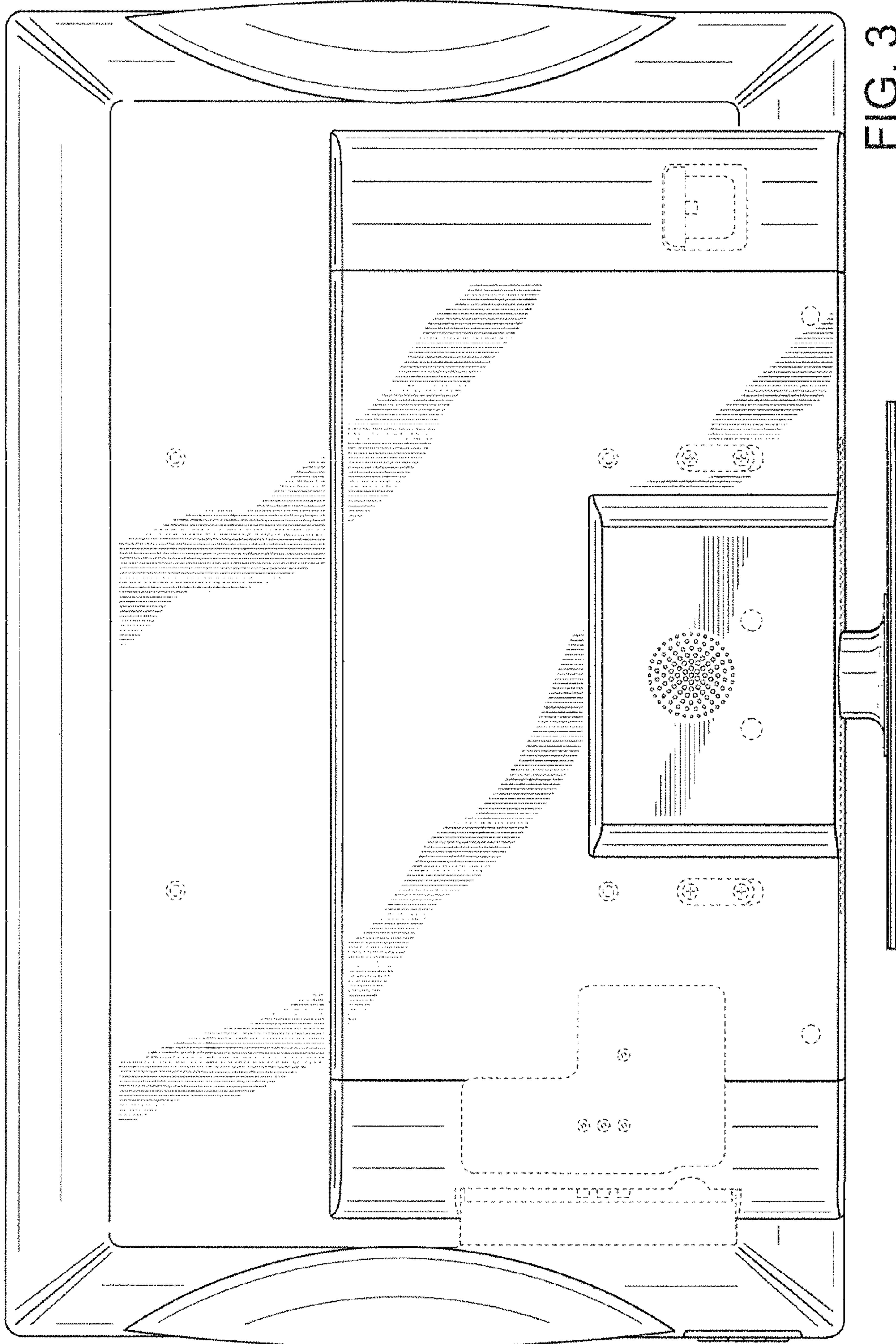


FIG. 3

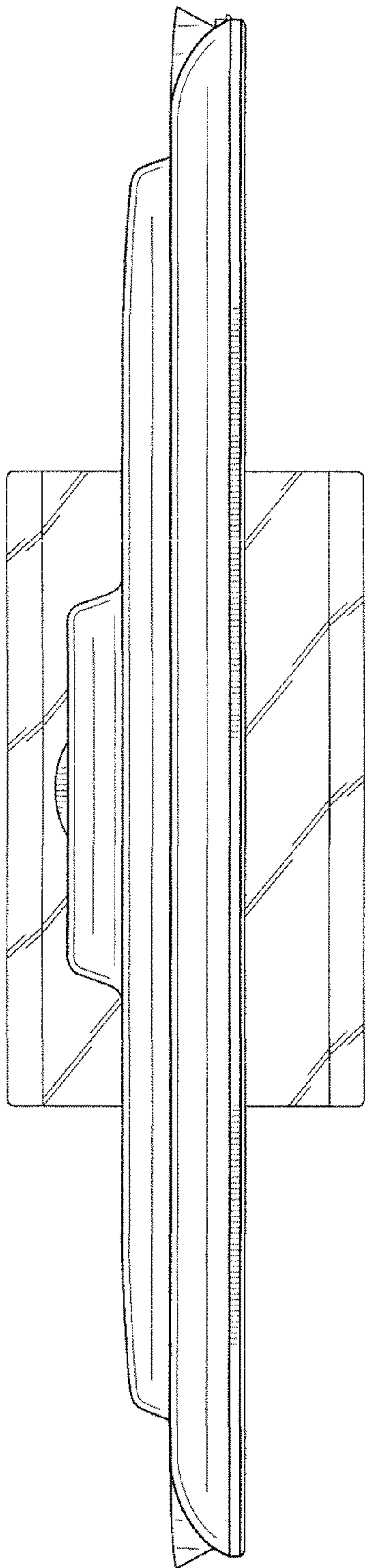


FIG. 4

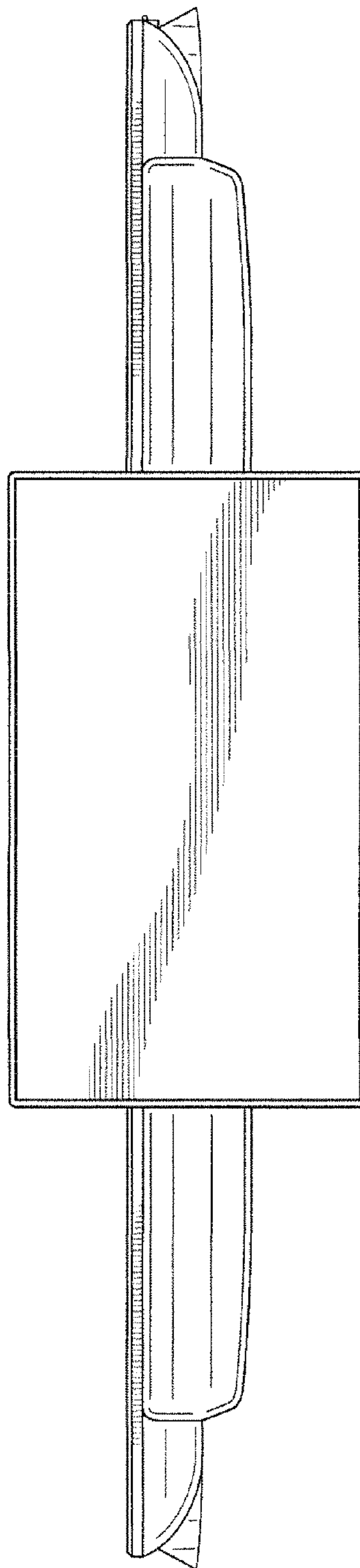


FIG. 5

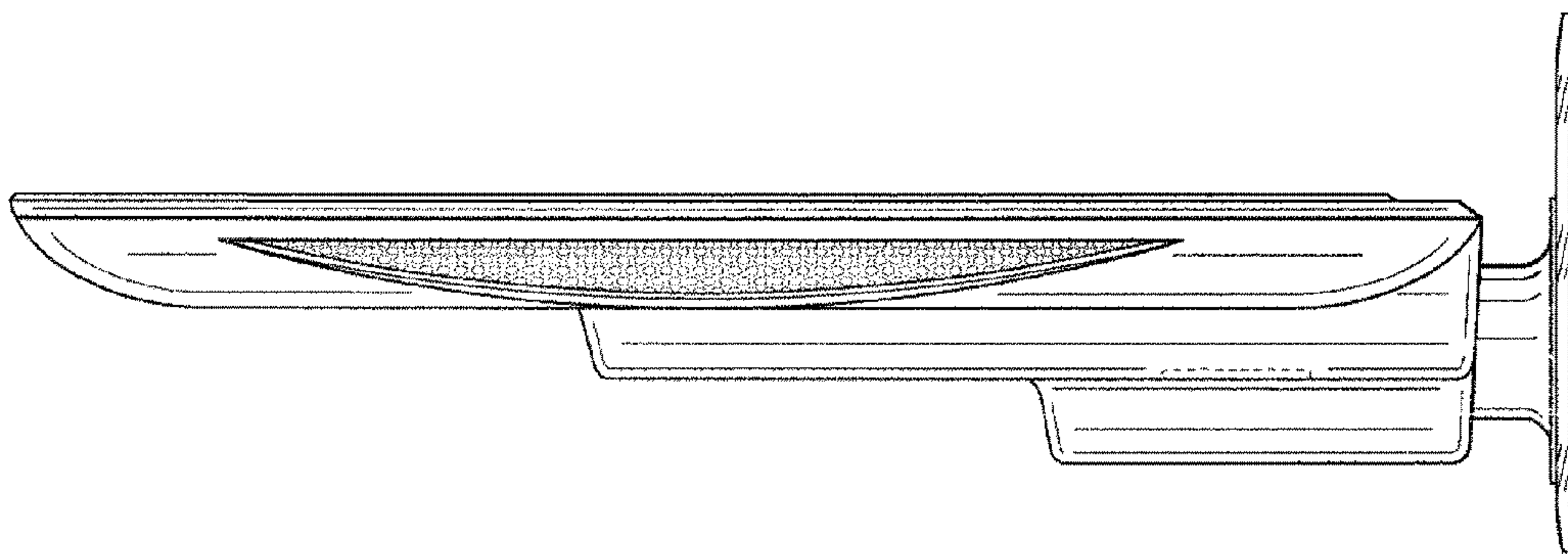


FIG. 7

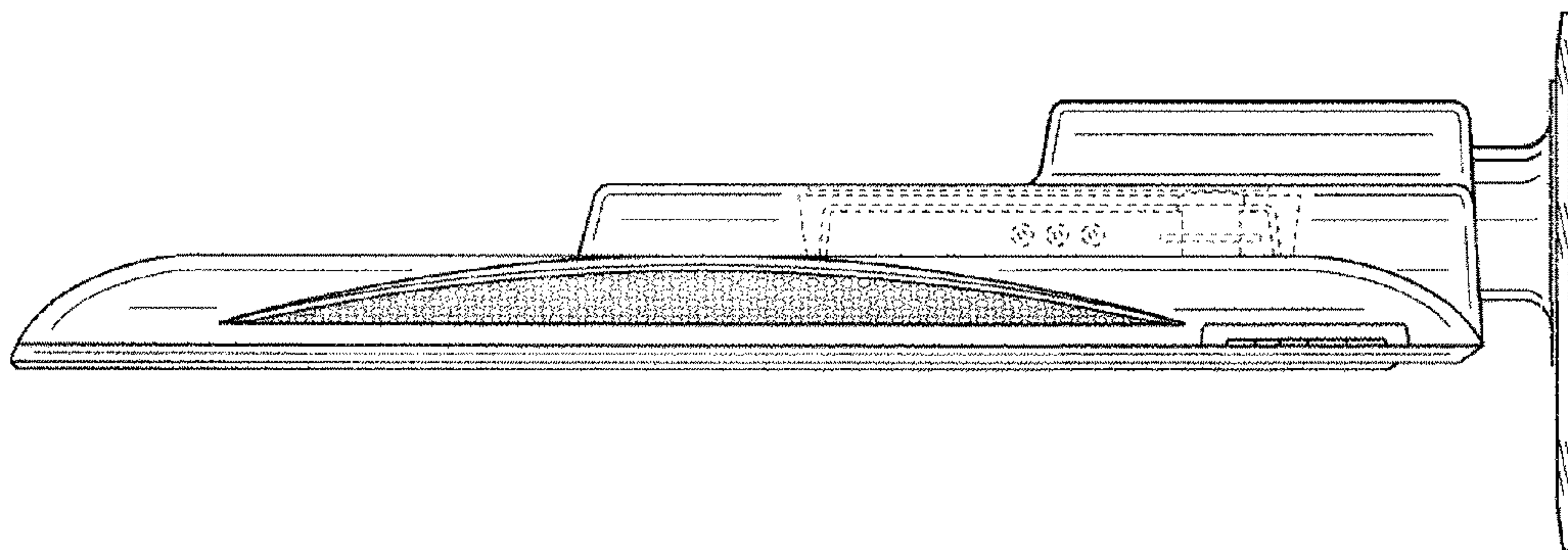


FIG. 6