



US00D637167S

(12) **United States Design Patent**  
**Tsai et al.**

(10) **Patent No.:** **US D637,167 S**  
(45) **Date of Patent:** **\*\* May 3, 2011**

(54) **LIQUID CRYSTAL DISPLAY**  
(75) Inventors: **Yao-Hsing Tsai**, Zhonghe (TW);  
**Chin-Jen Lin**, Zhonghe (TW)  
(73) Assignee: **Top Victory Investments Ltd.**, Harbour  
(HK)  
(\*\*) Term: **14 Years**  
(21) Appl. No.: **29/360,337**  
(22) Filed: **Apr. 23, 2010**  
(51) **LOC (9) Cl.** ..... **14-03**  
(52) **U.S. Cl.** ..... **D14/126**  
(58) **Field of Classification Search** ..... D14/125-134,  
D14/239, 371, 136, 374-377, 440, 450, 448,  
D14/336, 342; 312/7.2; 348/836, 838, 180,  
348/184, 325, 739; 341/12; 248/917-924,  
248/465; 345/104, 133, 156, 168, 87, 173;  
720/605, 669, 600, 655; 369/99, 197; 455/344,  
455/347; D21/329, 515, 577, 622, 333, 433,  
D21/448, 452, 450, 331; D6/477, 479, 300;  
273/148 B; 446/484, 175, 356; D10/15,  
D10/26

See application file for complete search history.

(56) **References Cited**

**U.S. PATENT DOCUMENTS**

D457,864 S \* 5/2002 Bong et al. .... D14/126  
D510,730 S \* 10/2005 Asanuma et al. .... D14/126  
D534,878 S \* 1/2007 Ellison ..... D14/126

D539,766 S \* 4/2007 Kita ..... D14/126  
D540,282 S \* 4/2007 Kita ..... D14/126  
D562,784 S \* 2/2008 Asanuma et al. .... D14/126  
D563,912 S \* 3/2008 Tu ..... D14/126  
D568,264 S \* 5/2008 Fujii et al. .... D14/126  
D570,311 S \* 6/2008 Kita ..... D14/126  
D586,306 S \* 2/2009 Isshiki ..... D14/126  
D603,814 S \* 11/2009 Yang et al. .... D14/126  
D606,954 S \* 12/2009 Yamaguchi ..... D14/128  
D629,371 S \* 12/2010 Lim et al. .... D14/126

\* cited by examiner

*Primary Examiner* — Raphael Barkai

(74) *Attorney, Agent, or Firm* — Alan Kamrath; Kamrath & Associates PA

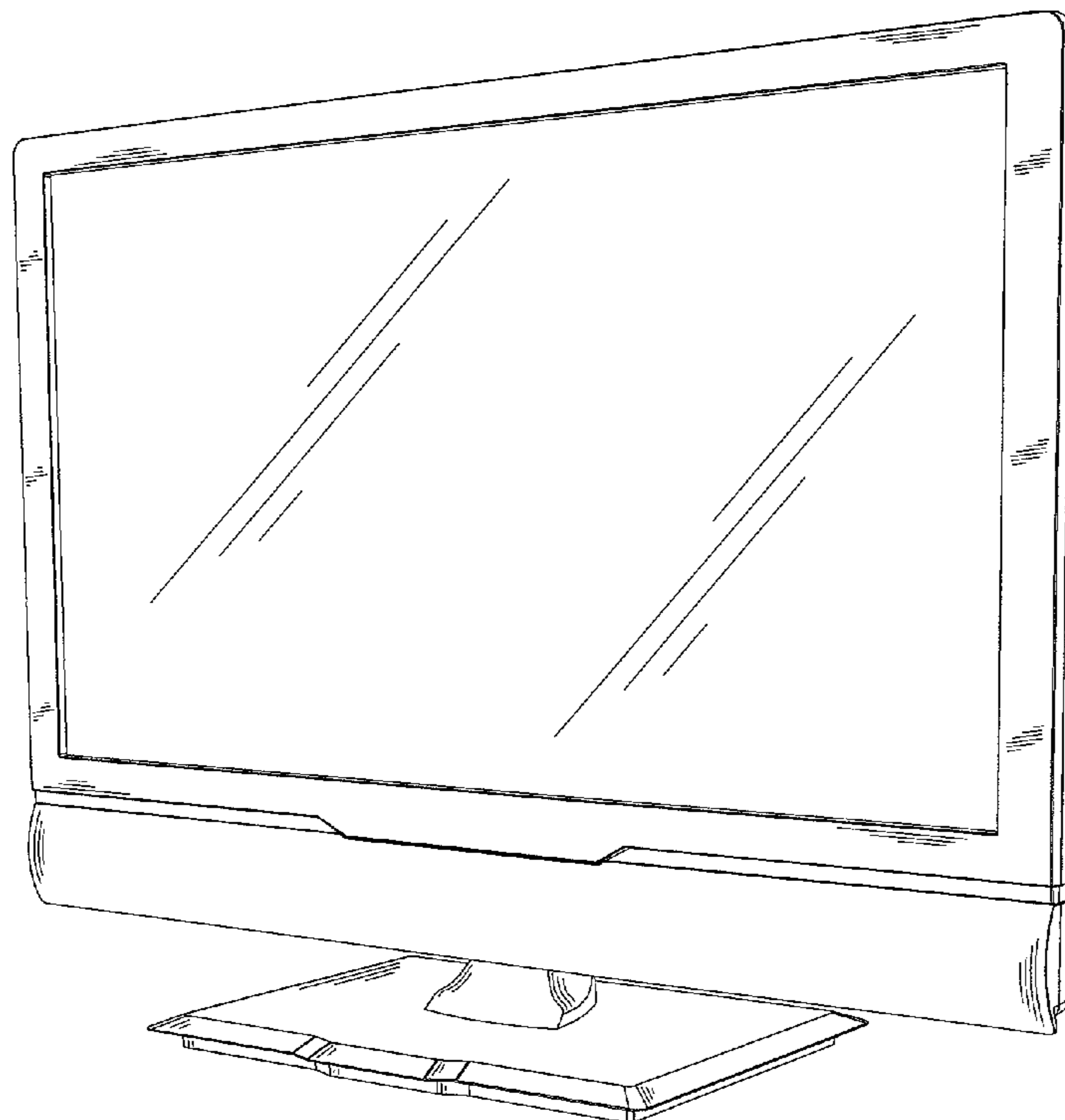
(57) **CLAIM**

The ornamental design for liquid crystal display, as shown and described.

**DESCRIPTION**

FIG. 1 is a perspective view of a liquid crystal display showing my new design;  
FIG. 2 is a front side elevational view thereof;  
FIG. 3 is a rear side elevational view thereof;  
FIG. 4 is a left elevational view thereof;  
FIG. 5 is a right elevational view thereof;  
FIG. 6 is a top plan view thereof;  
FIG. 7 is a bottom plan view thereof;  
FIG. 8 is a second perspective view of a liquid crystal display showing my new design; and,  
FIG. 9 is an enlargement of part X shown in FIG. 5.

**1 Claim, 9 Drawing Sheets**



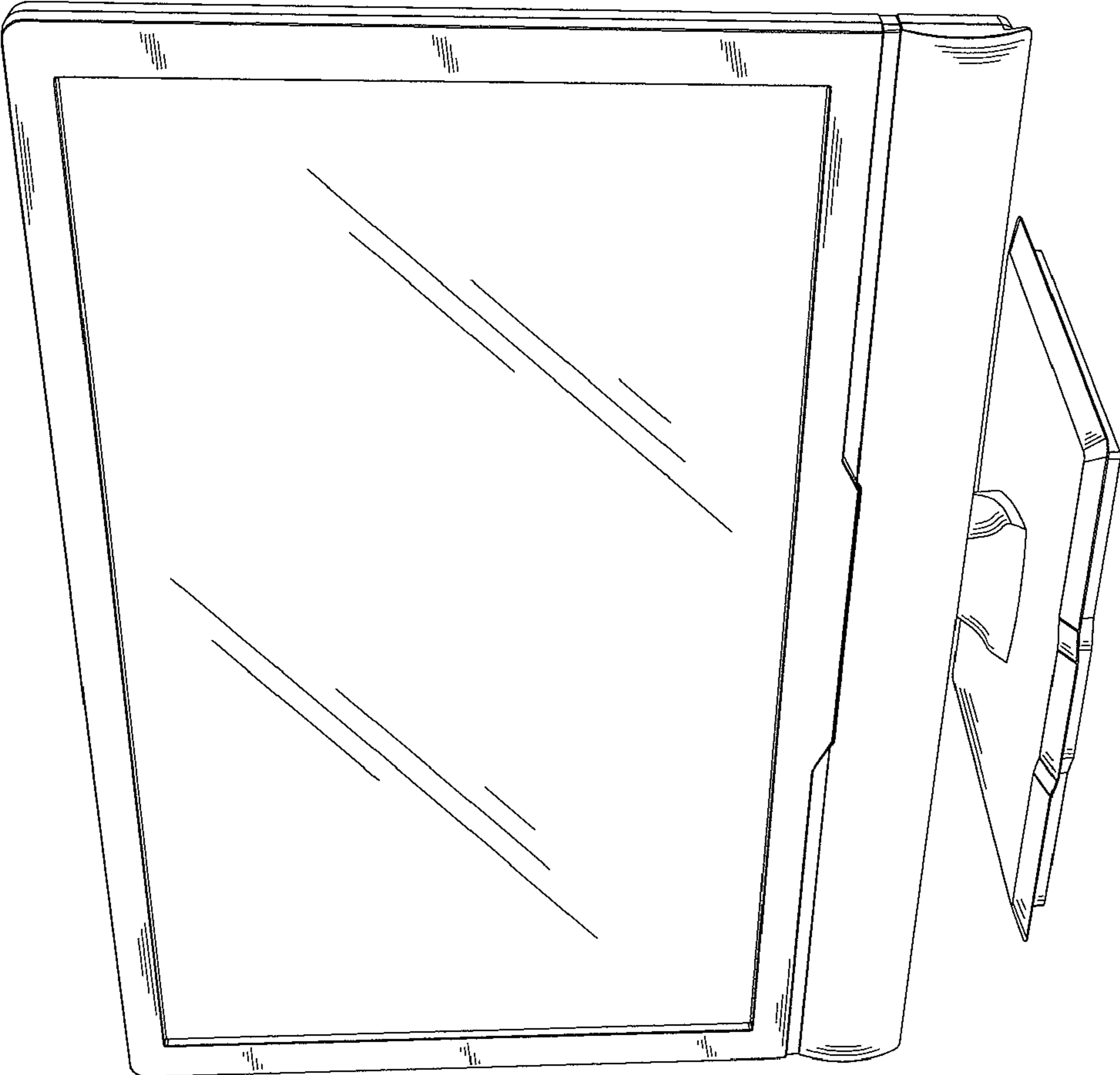


Fig. 1

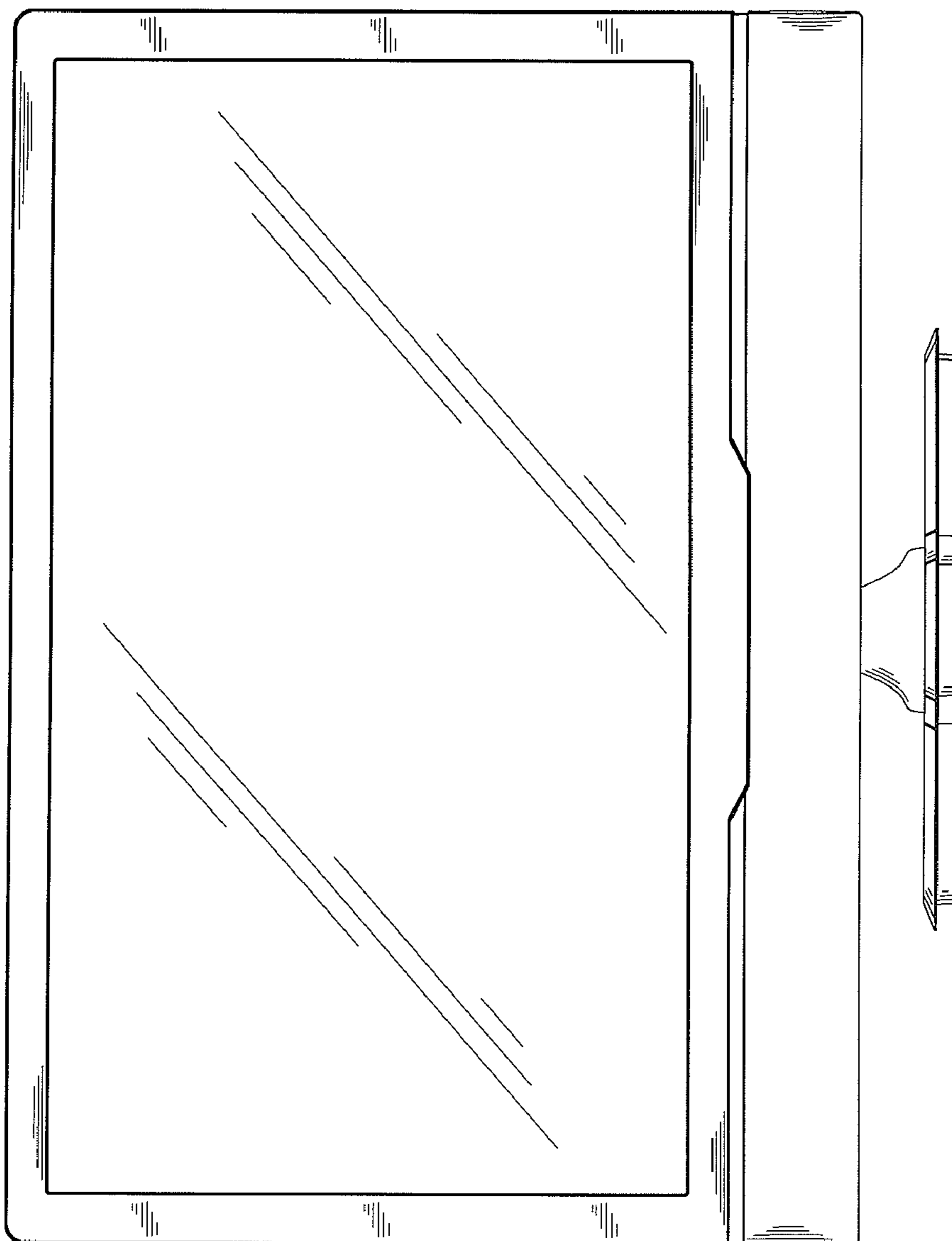


Fig. 2

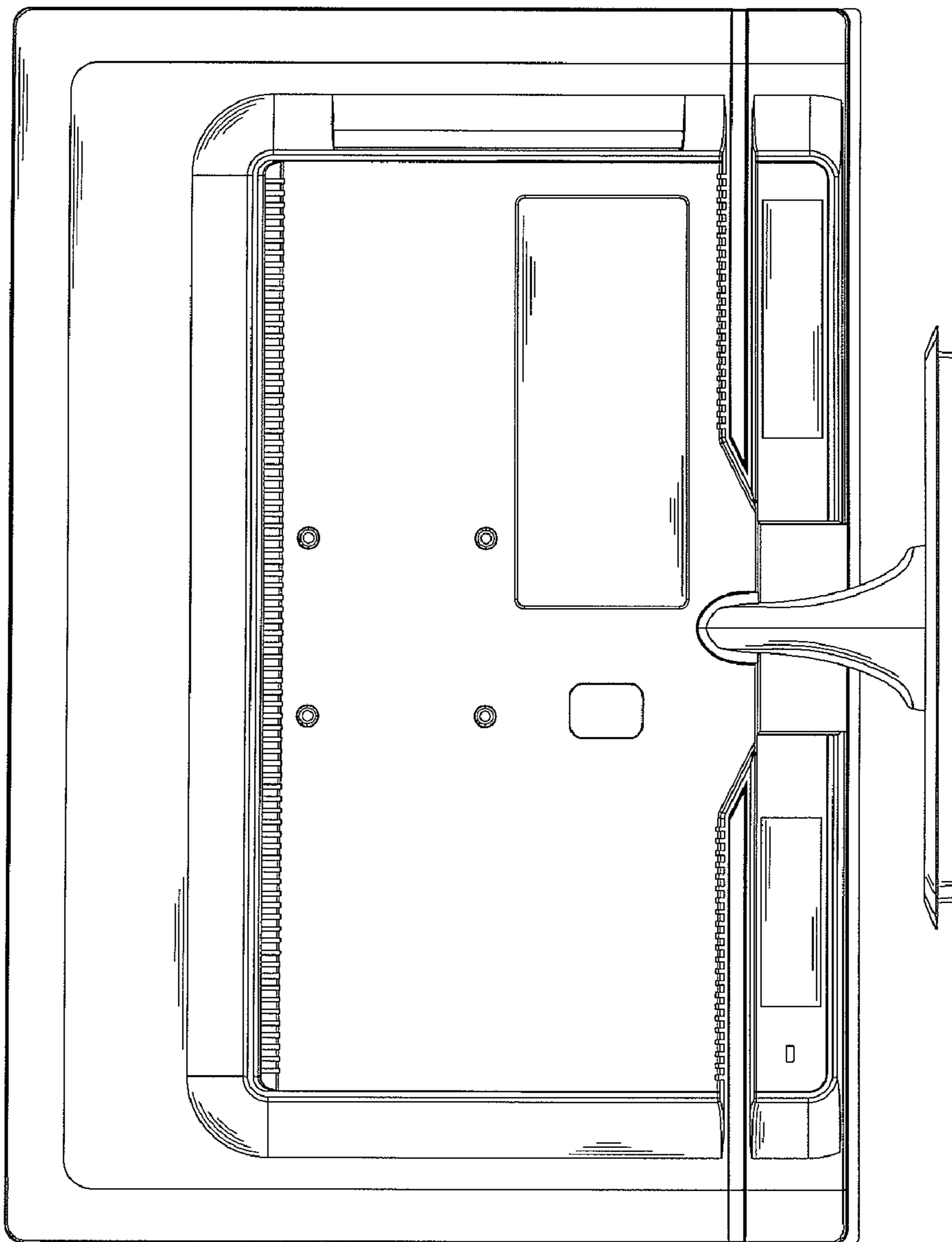


Fig. 3

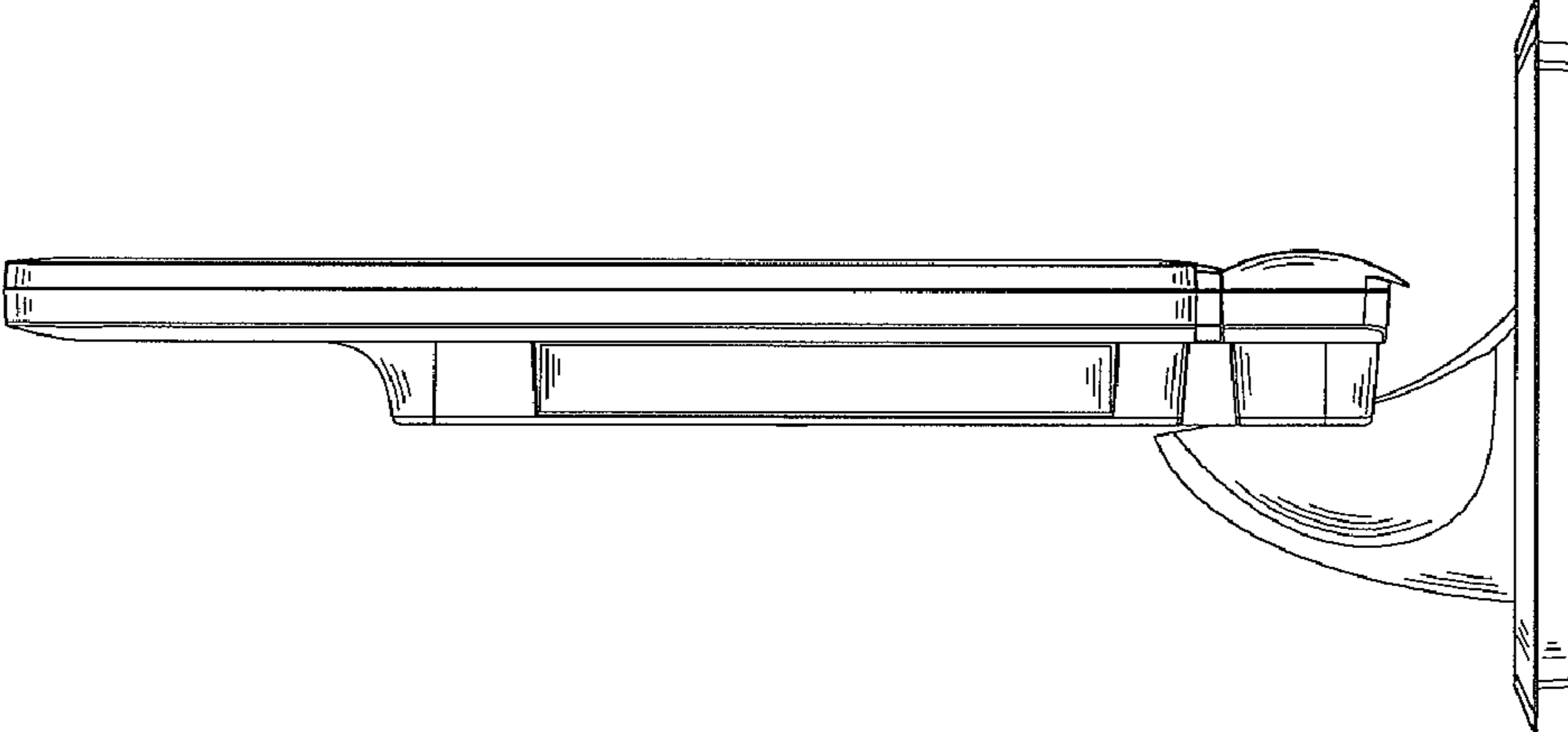


Fig. 4

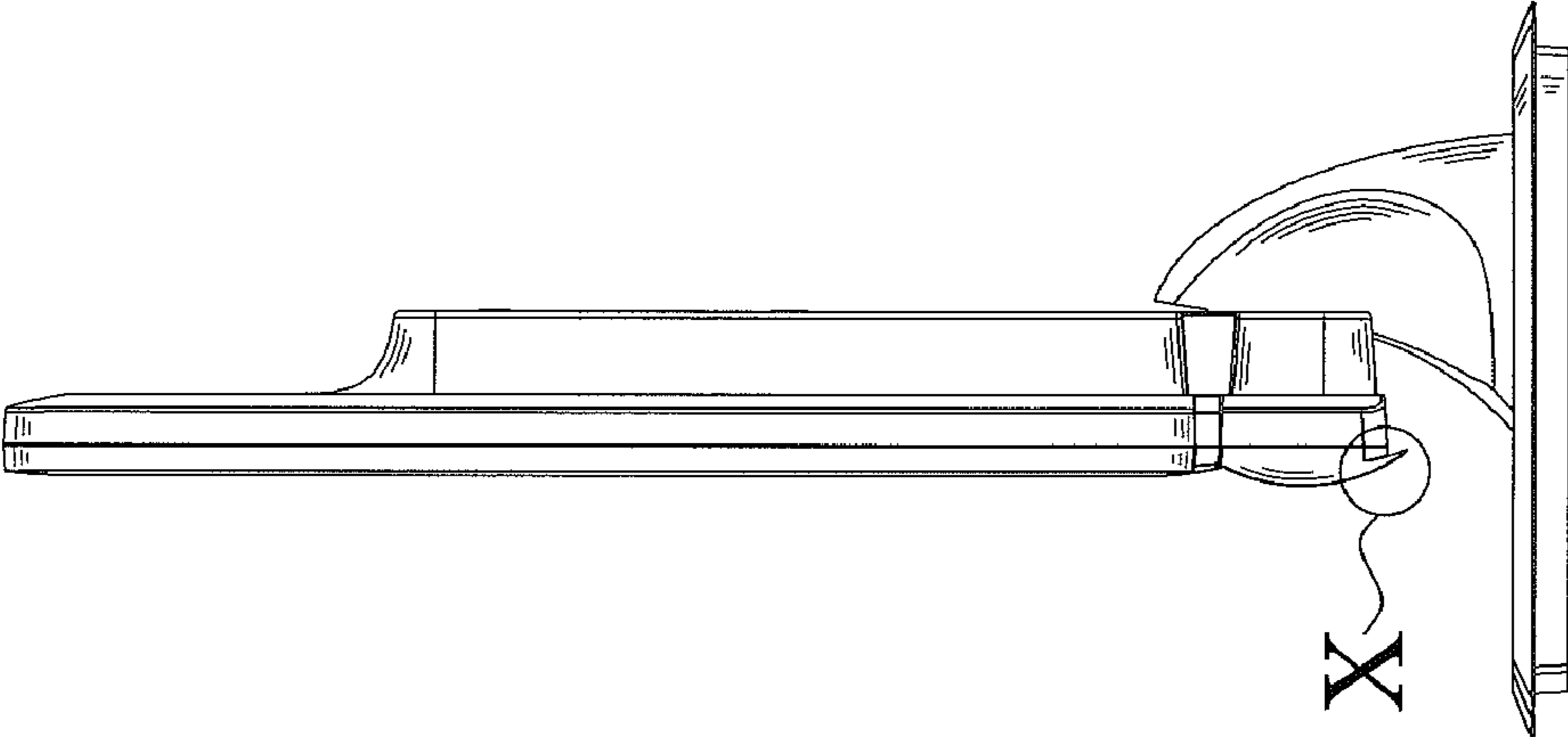


Fig. 5

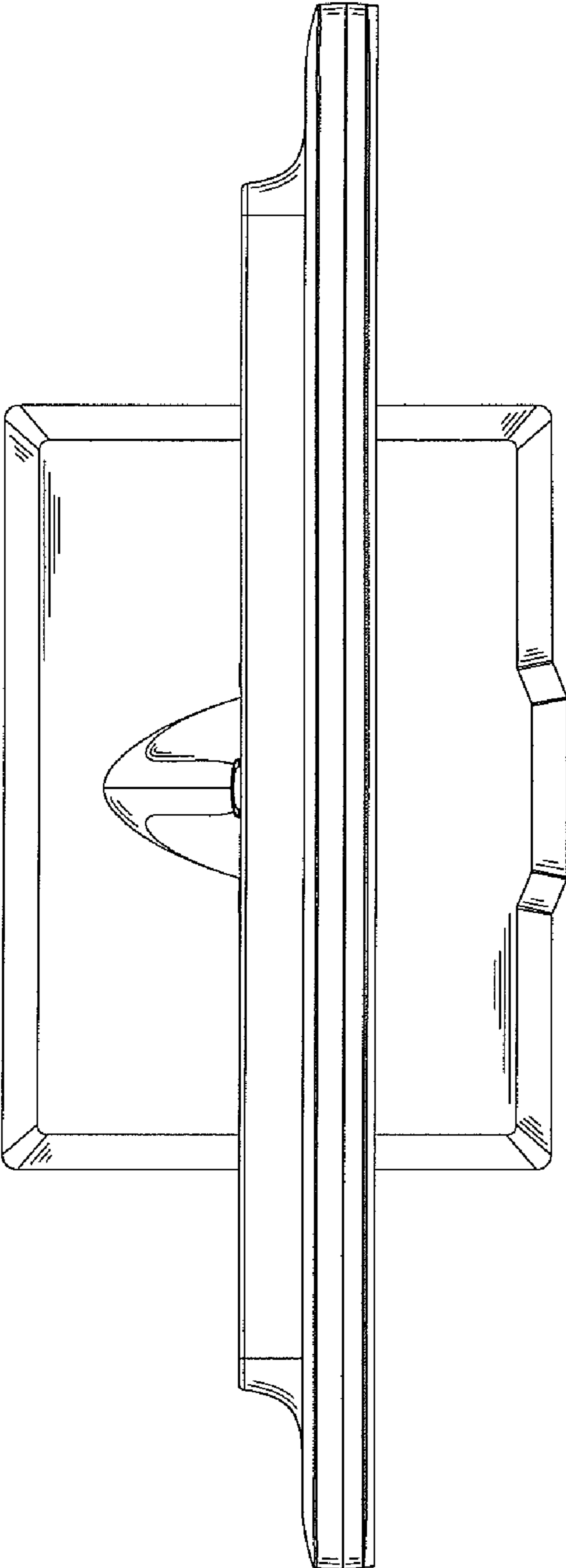


Fig. 6

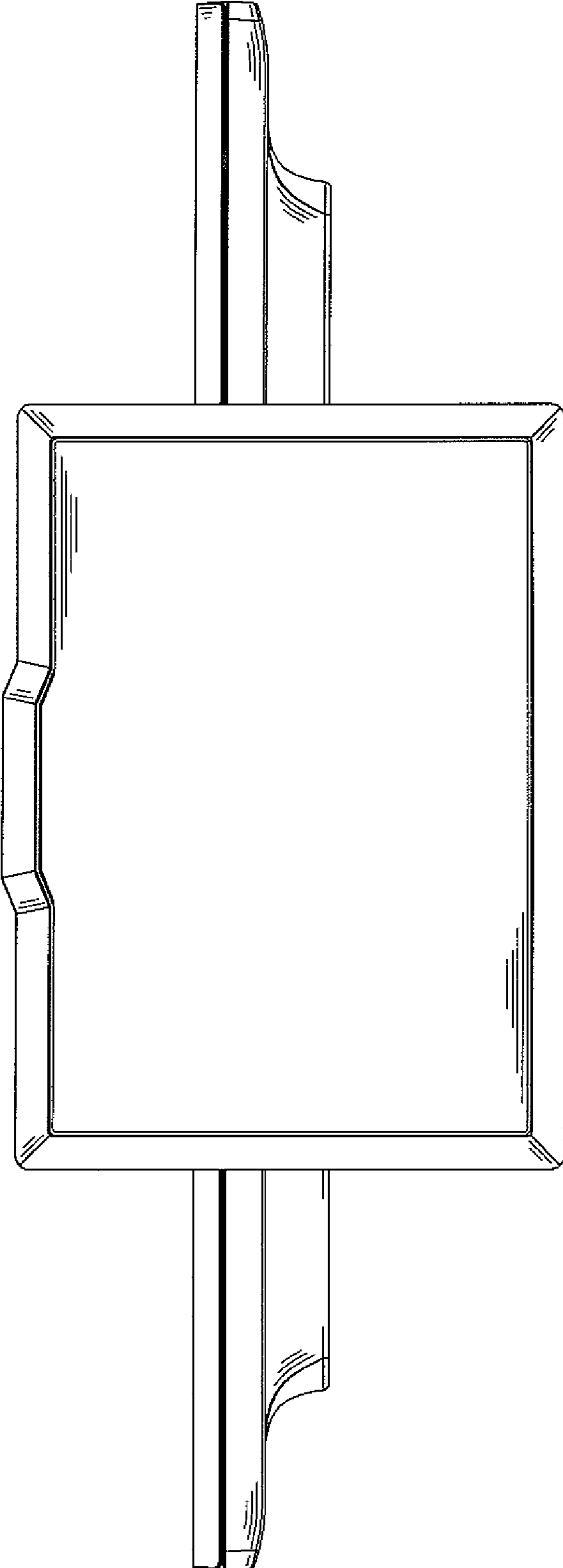


Fig. 7



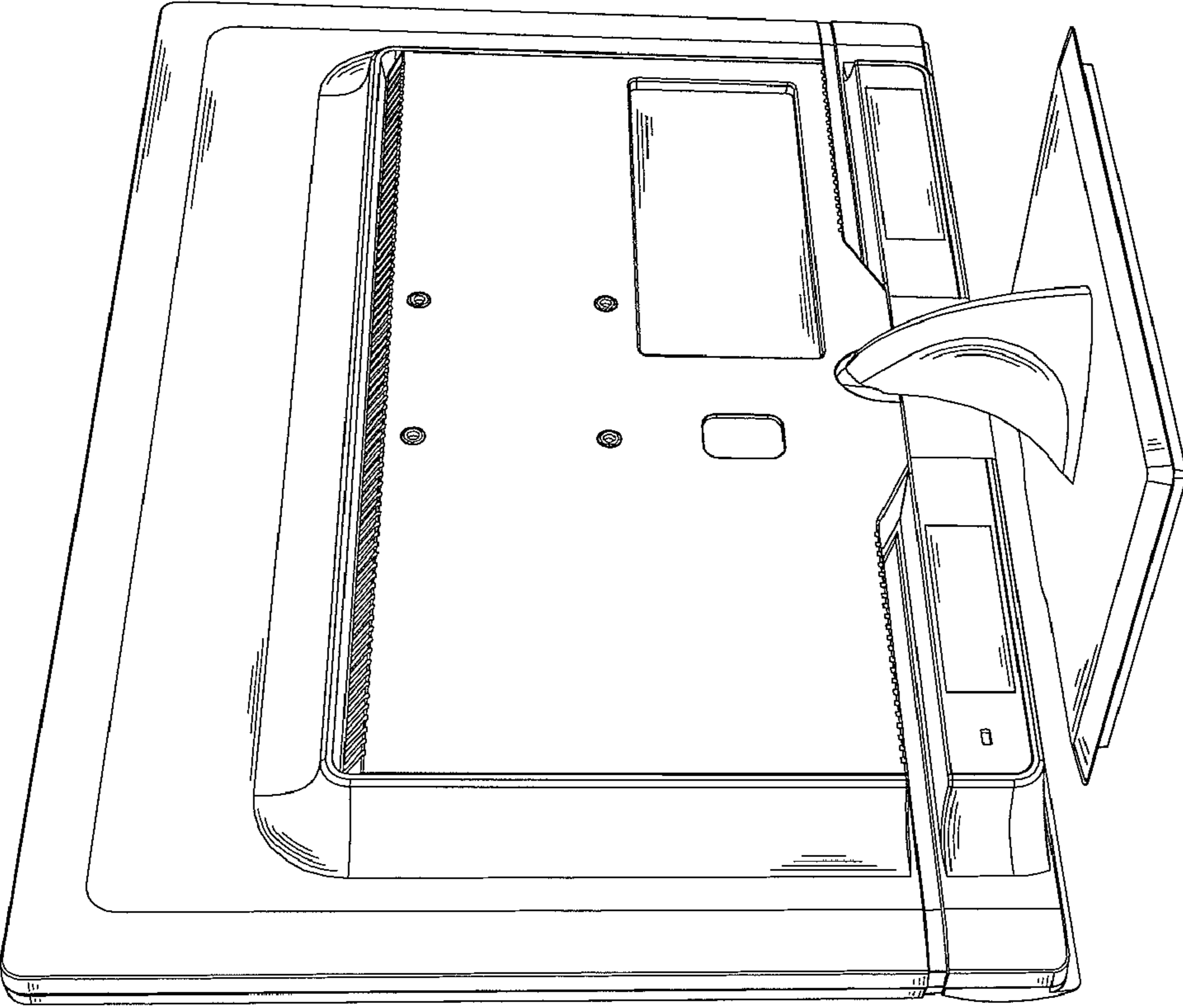


Fig. 8

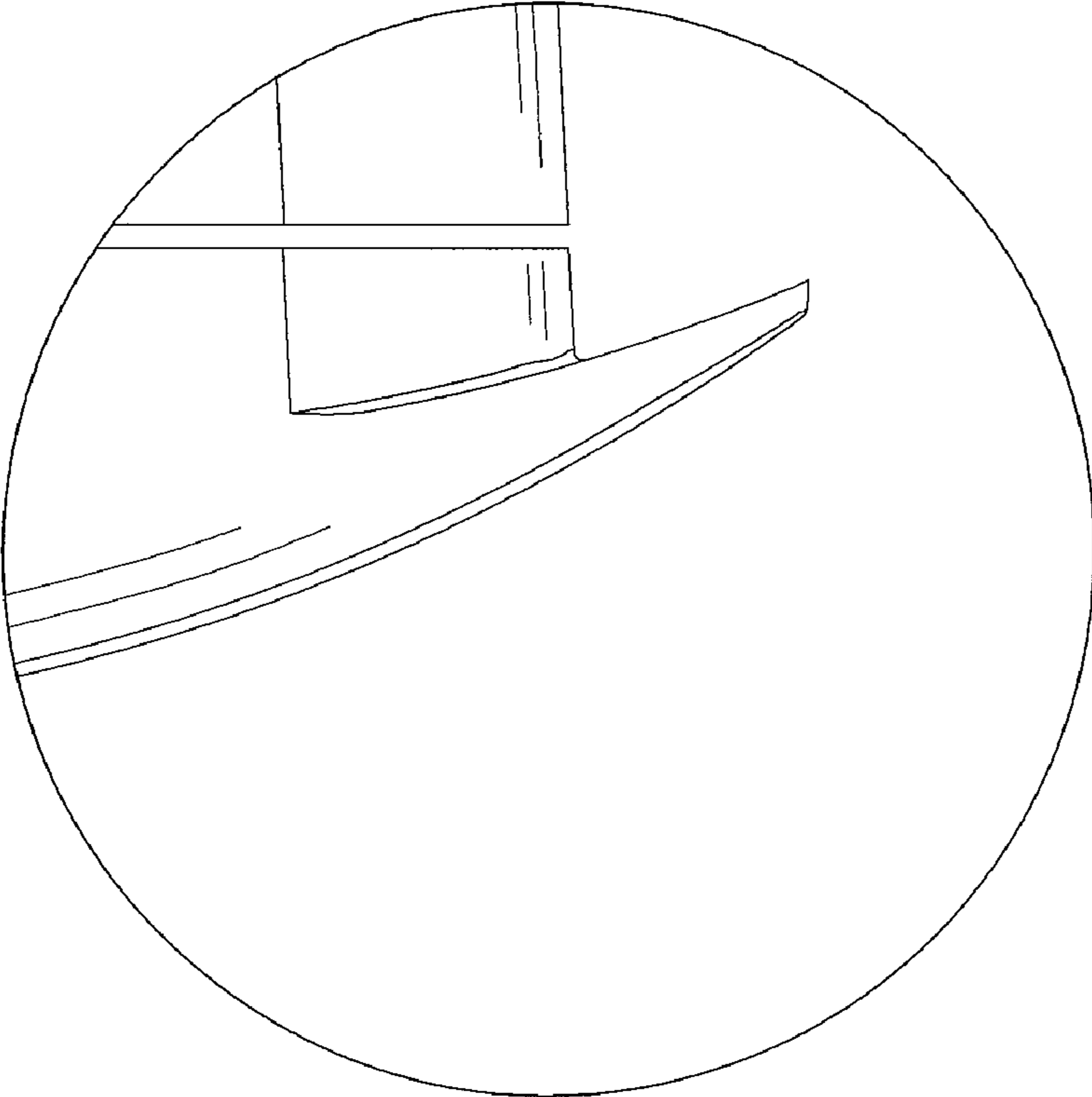


Fig. 9