



US00D637159S

(12) **United States Design Patent**
Hu

(10) **Patent No.:** **US D637,159 S**

(45) **Date of Patent:** **** May 3, 2011**

(54) **HDMI CABLE CONNECTOR**

(75) Inventor: **Tao Hu**, Guangdong Province (CN)

(73) Assignee: **Monoprice, Inc.**, Rancho Cucamonga, CA (US)

(**) Term: **14 Years**

(21) Appl. No.: **29/366,146**

(22) Filed: **Jul. 20, 2010**

(51) **LOC (9) Cl.** **13-03**

(52) **U.S. Cl.** **D13/147**

(58) **Field of Classification Search** D13/133,
D13/146-147, 153, 154, 156, 184; 439/79,
439/248, 258, 274, 350, 353, 358, 447, 476.1,
439/607.01, 607.04, 607.05, 607.17, 607.25,
439/607.34, 607.41, 607.53, 660, 668, 680

See application file for complete search history.

(56) **References Cited**

U.S. PATENT DOCUMENTS

D491,894 S * 6/2004 Jiang D13/147
D527,709 S * 9/2006 Kuo D13/147
D552,560 S * 10/2007 Victor D13/154

D585,836 S * 2/2009 Lee et al. D13/154
D603,800 S * 11/2009 Zhao et al. D13/147
D621,790 S * 8/2010 Victor D13/156

* cited by examiner

Primary Examiner — Daniel D Bui

(74) *Attorney, Agent, or Firm* — Knobbe, Martens, Olson & Bear LLP

(57) **CLAIM**

The ornamental design for an HDMI cable connector, as shown and described.

DESCRIPTION

FIG. 1 is a perspective view of an HDMI cable connector showing my new design;

FIG. 2 is a top view thereof;

FIG. 3 is a bottom view thereof;

FIG. 4 is a left side view thereof;

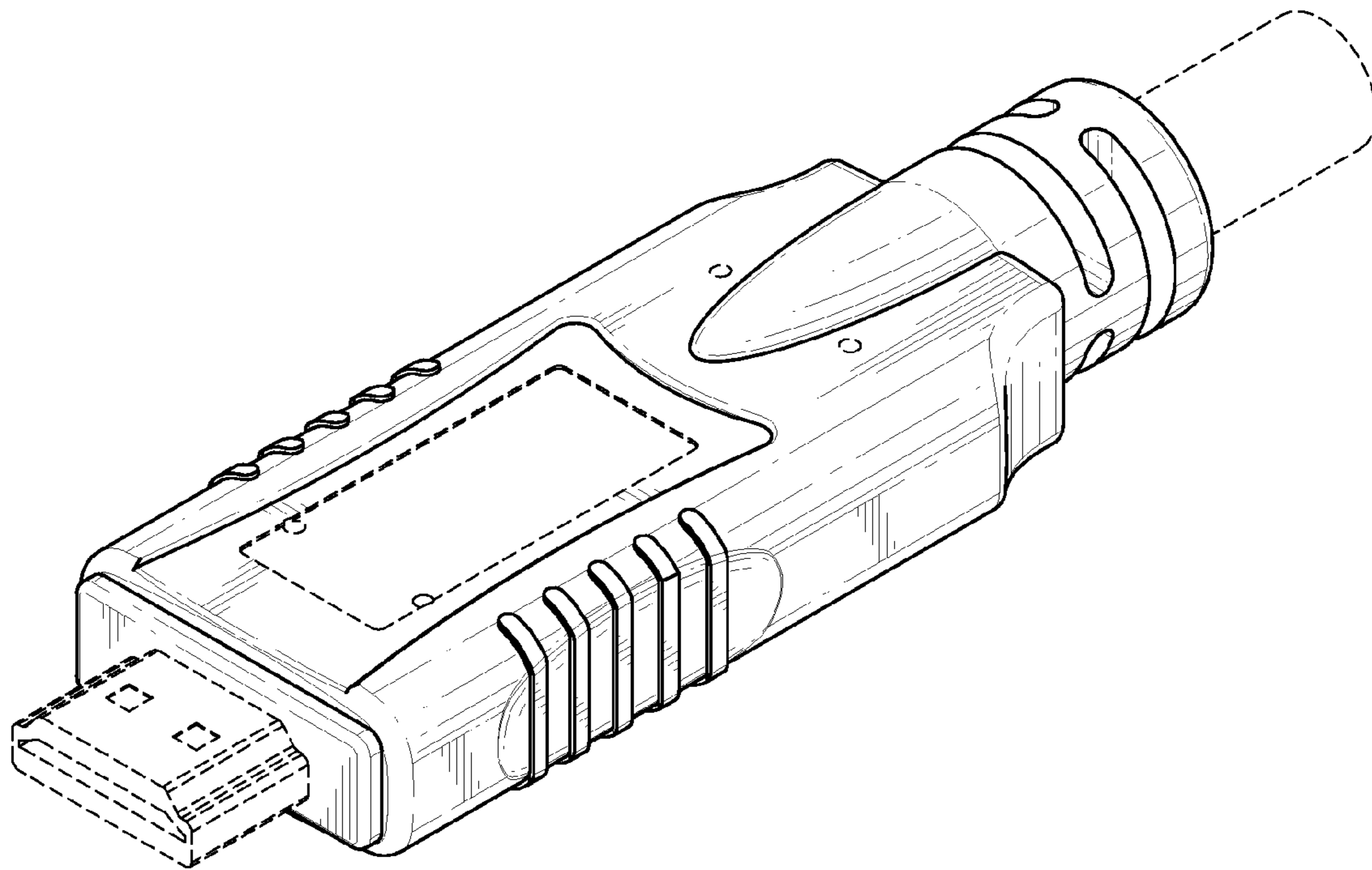
FIG. 5 is a right side view thereof;

FIG. 6 is a front view thereof; and,

FIG. 7 is a back view thereof.

The broken line portion of the figure drawings is included to show unclaimed subject matter only and forms no part of the claimed design.

1 Claim, 3 Drawing Sheets



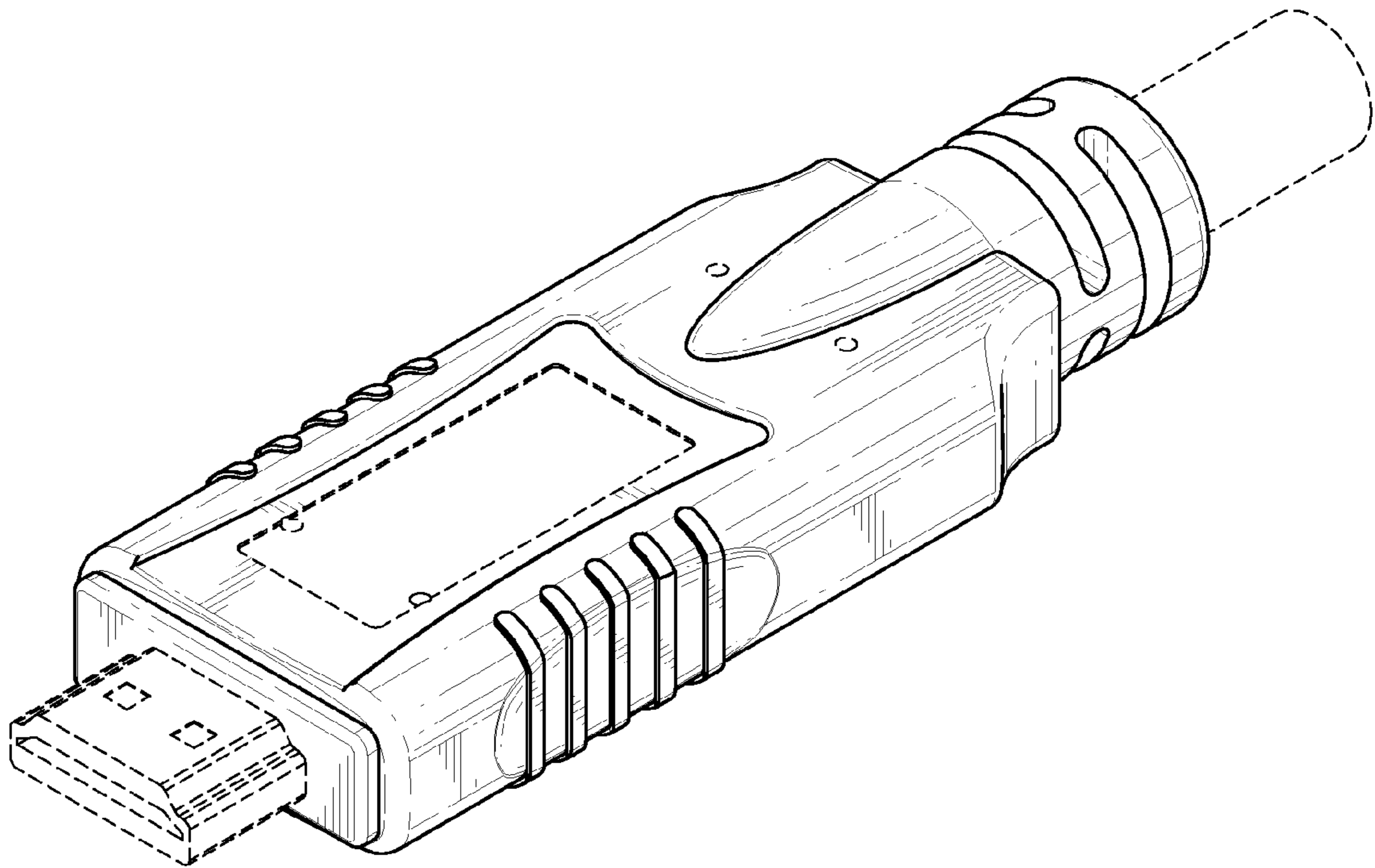


FIG. 1

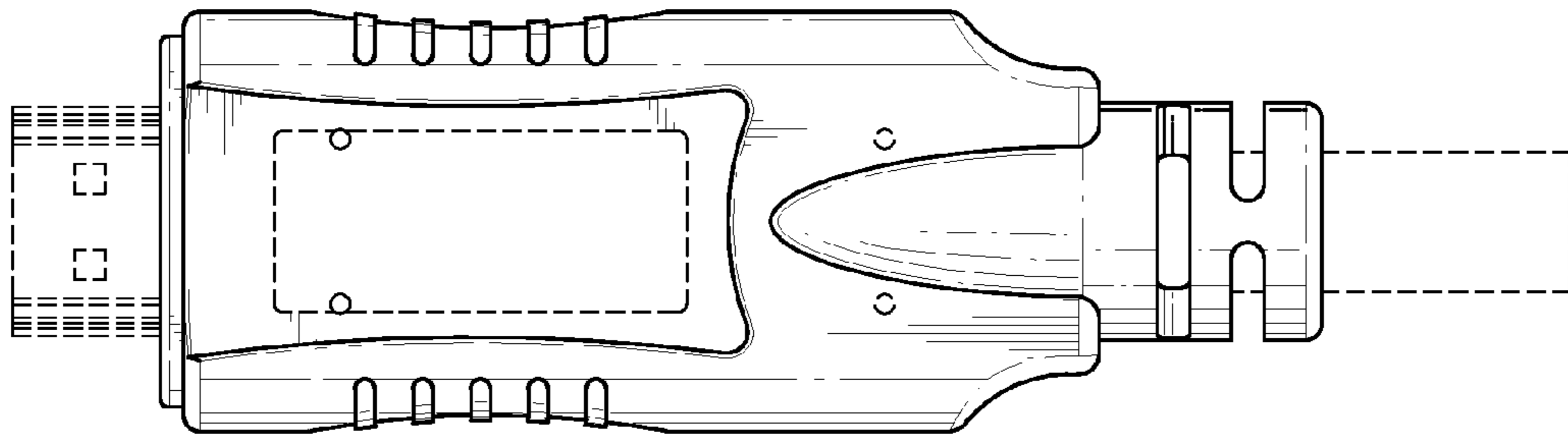


FIG. 2

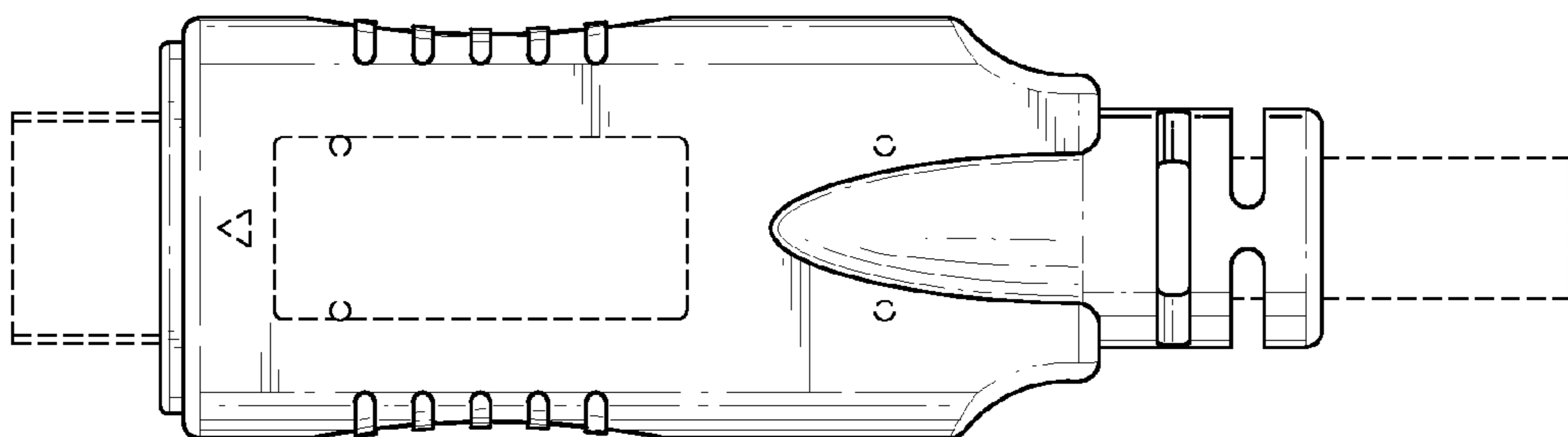


FIG. 3

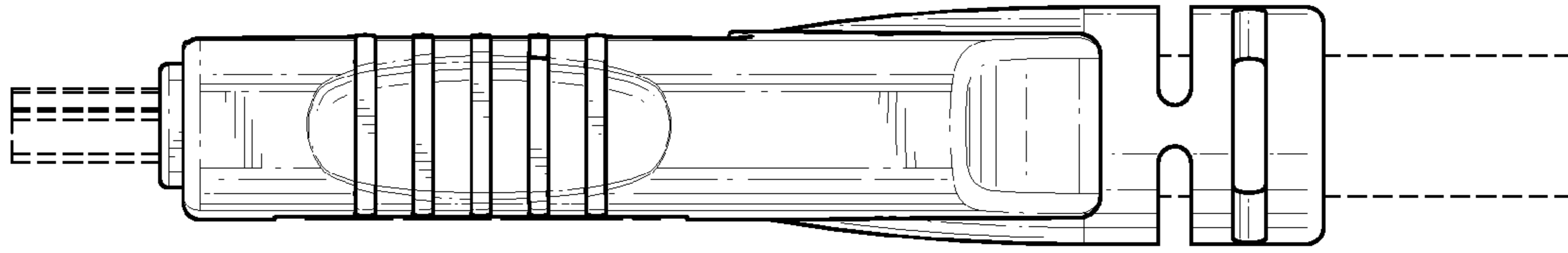


FIG. 4

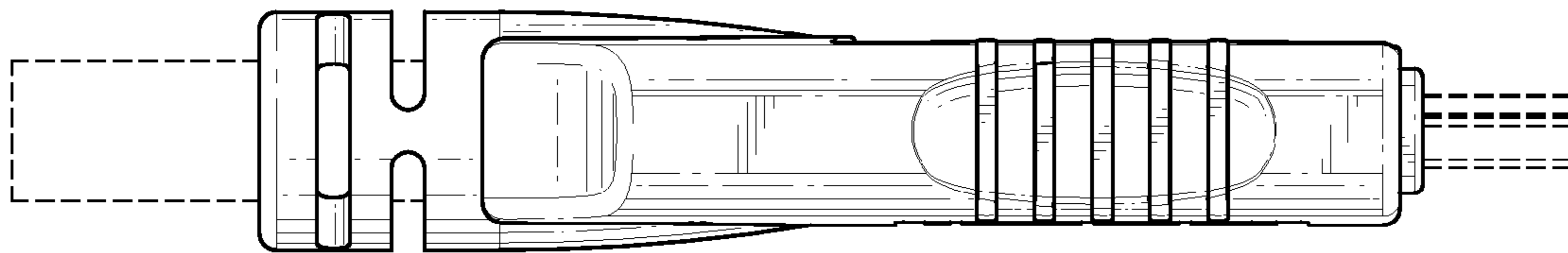


FIG. 5

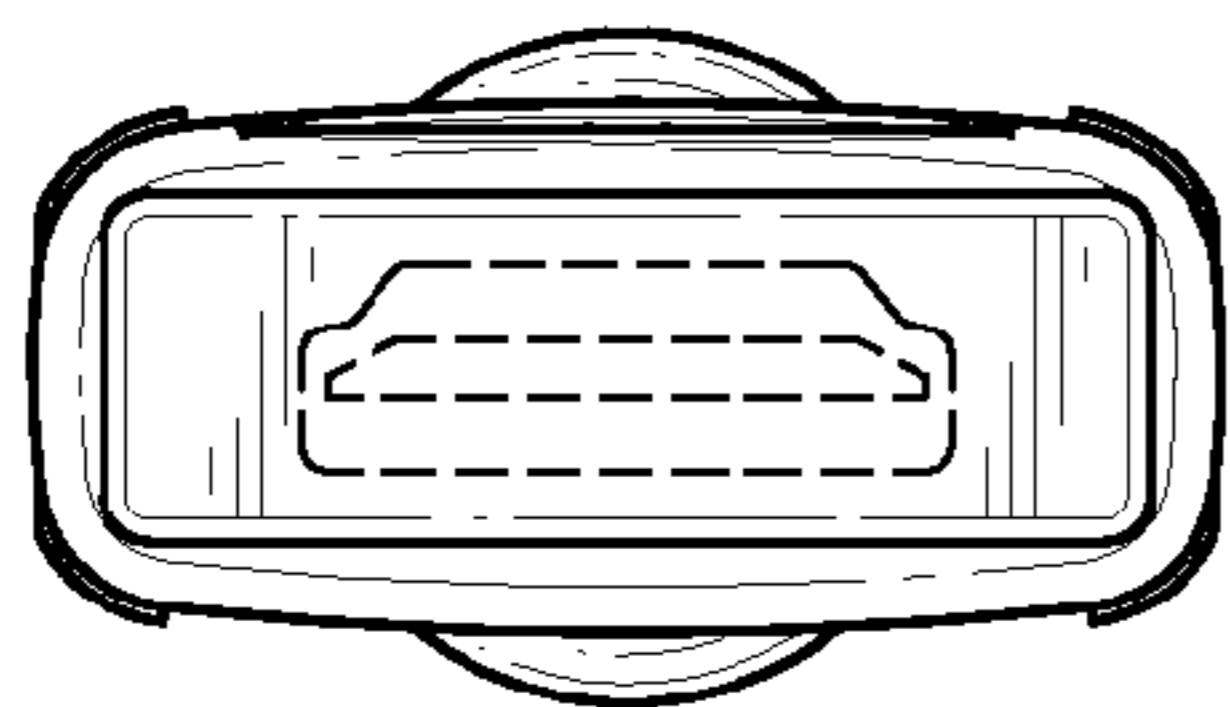


FIG. 6

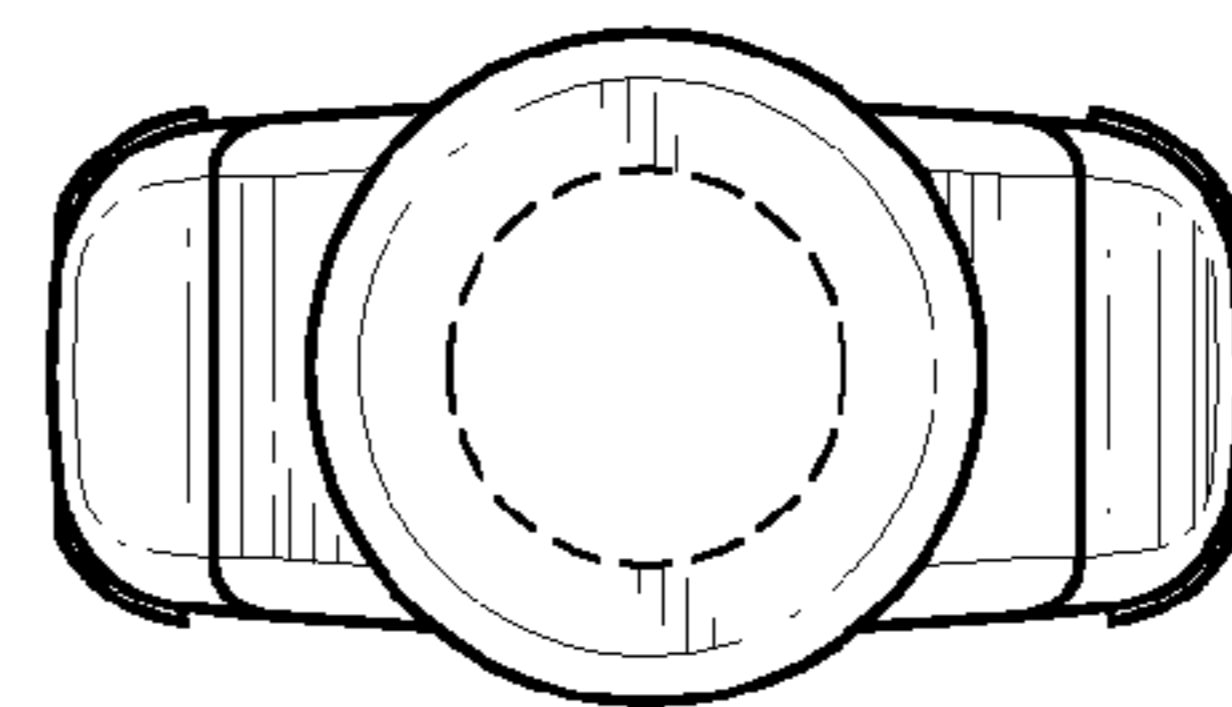


FIG. 7