



US00D637157S

(12) **United States Design Patent**  
**Andre et al.**

(10) **Patent No.:** **US D637,157 S**  
(45) **Date of Patent:** **\*\* May 3, 2011**

(54) **ELECTRONIC DEVICE**

(75) Inventors: **Bartley K Andre**, Menlo Park, CA (US);  
**Robert L. Coish**, Mountain View, CA  
(US); **Brett William Degner**, Menlo  
Park, CA (US); **Ron Alan Hopkinson**,  
Campbell, CA (US); **Chris Ligtenberg**,  
San Carlos, CA (US); **R. Sean Murphy**,  
Sunnyvale, CA (US); **John Raff**, Menlo  
Park, CA (US)

(73) Assignee: **Apple Inc.**, Cupertino, CA (US)

(\*\*) Term: **14 Years**

(21) Appl. No.: **29/377,145**

(22) Filed: **Oct. 18, 2010**

(51) **LOC (9) Cl.** ..... **13-02**

(52) **U.S. Cl.** ..... **D13/119; D13/103**

(58) **Field of Classification Search** ..... D13/102–106,  
D13/110, 118–121, 184, 199; 429/96–100,  
429/149, 159, 163, 176, 177.186, 463; D14/300,  
D14/422, 439

See application file for complete search history.

(56) **References Cited**

**U.S. PATENT DOCUMENTS**

D269,672	S *	7/1983	Seltzer et al.	.....	D13/119
D269,868	S *	7/1983	Seltzer et al.	.....	D13/119
5,019,465	A *	5/1991	Herron et al.	.....	429/97
D321,856	S *	11/1991	Whitley et al.	.....	D13/119
5,180,644	A	1/1993	Bresin et al.		
5,308,716	A *	5/1994	Shababy et al.	.....	429/97
D348,046	S *	6/1994	Hulsebus	.....	D13/119
5,326,651	A	7/1994	Mehta et al.		
D356,992	S	4/1995	Dilgard		
5,436,089	A	7/1995	Fedele		

5,601,942	A	2/1997	Fedele		
D409,973	S	5/1999	Iwamoto et al.		
D440,201	S *	4/2001	Huynh et al.	.....	D13/103
D479,192	S *	9/2003	Fujihara et al.	.....	D13/103
6,884,540	B2	4/2005	Chikada		
7,595,129	B2	9/2009	Kato		
7,597,996	B2 *	10/2009	Ro et al.	.....	429/159
D611,413	S *	3/2010	Brockington	.....	D13/119
7,682,727	B2 *	3/2010	Hsu	.....	429/97
7,713,654	B2 *	5/2010	Hsu et al.	.....	429/97
2002/0094475	A1	7/2002	Aoyama		
2003/0157401	A1 *	8/2003	Gelbke et al.	.....	429/84

**OTHER PUBLICATIONS**

U.S. Appl. No. 29/376,055, filed Sep. 30, 2010, entitled "Battery".

\* cited by examiner

*Primary Examiner* — Rosemary K Tarcza

(74) *Attorney, Agent, or Firm* — SAIDMAN DesignLaw Group

(57) **CLAIM**

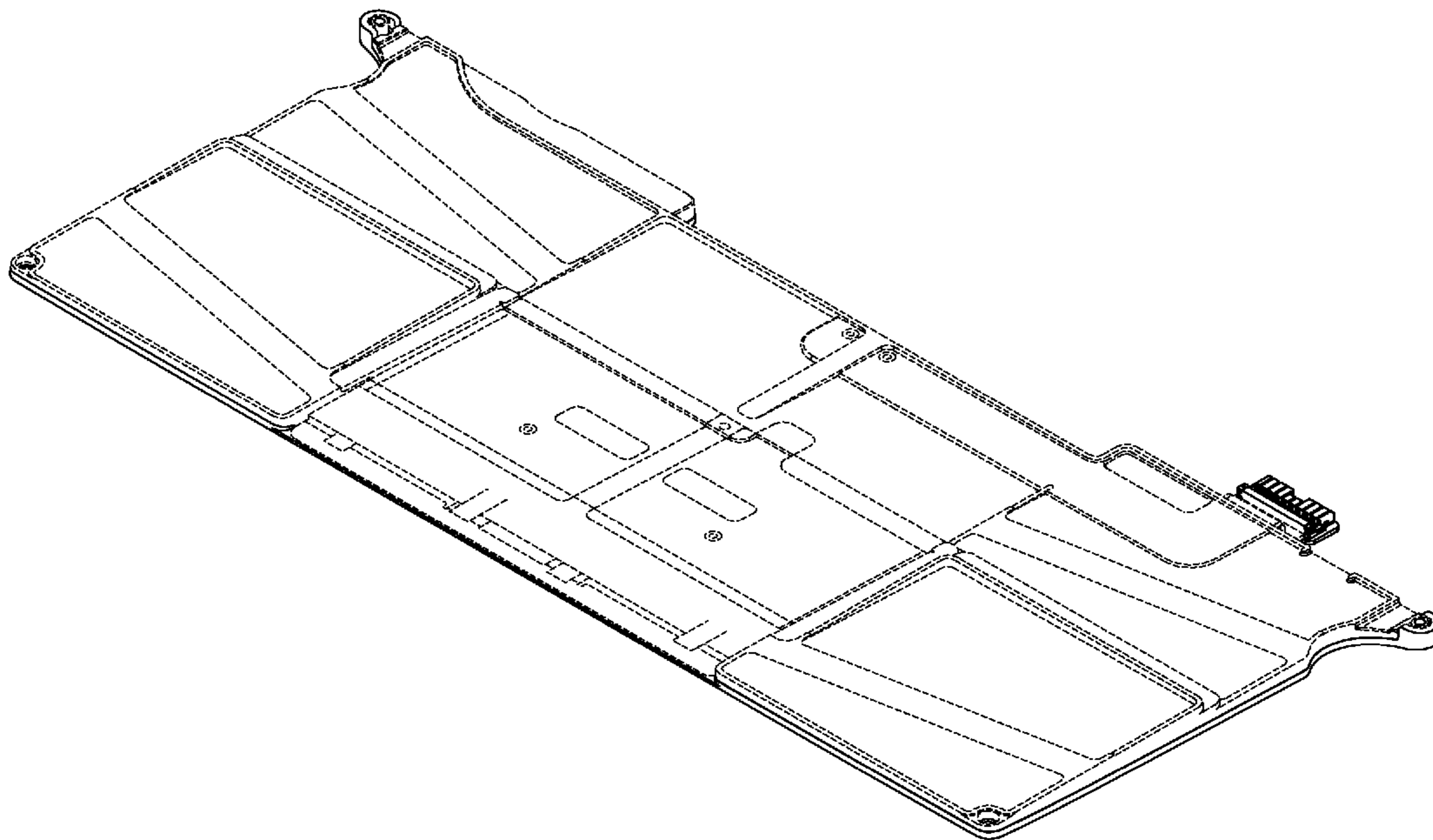
The ornamental design for an electronic device, as shown and described.

**DESCRIPTION**

FIG. 1 is a top, front, right perspective view of an electronic device showing our new design;  
FIG. 2 is a top view thereof;  
FIG. 3 is a bottom view thereof;  
FIG. 4 is a rear view thereof;  
FIG. 5 is a front view thereof;  
FIG. 6 is a right side view thereof; and,  
FIG. 7 is a left side view thereof.

The broken lines are for the purpose of illustrating portions of the electronic device and form no part of the claimed design.

**1 Claim, 5 Drawing Sheets**



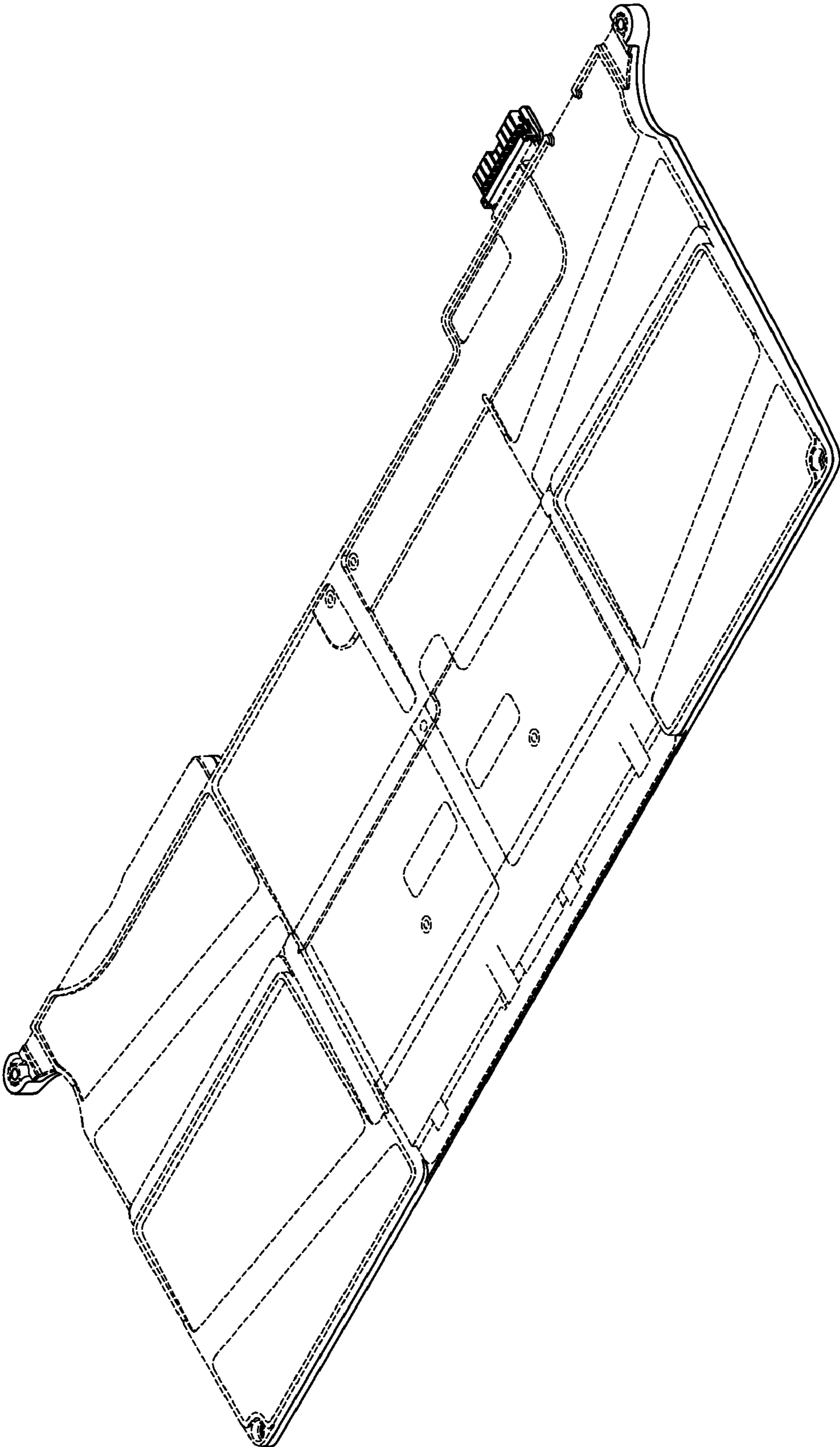


FIG. 1

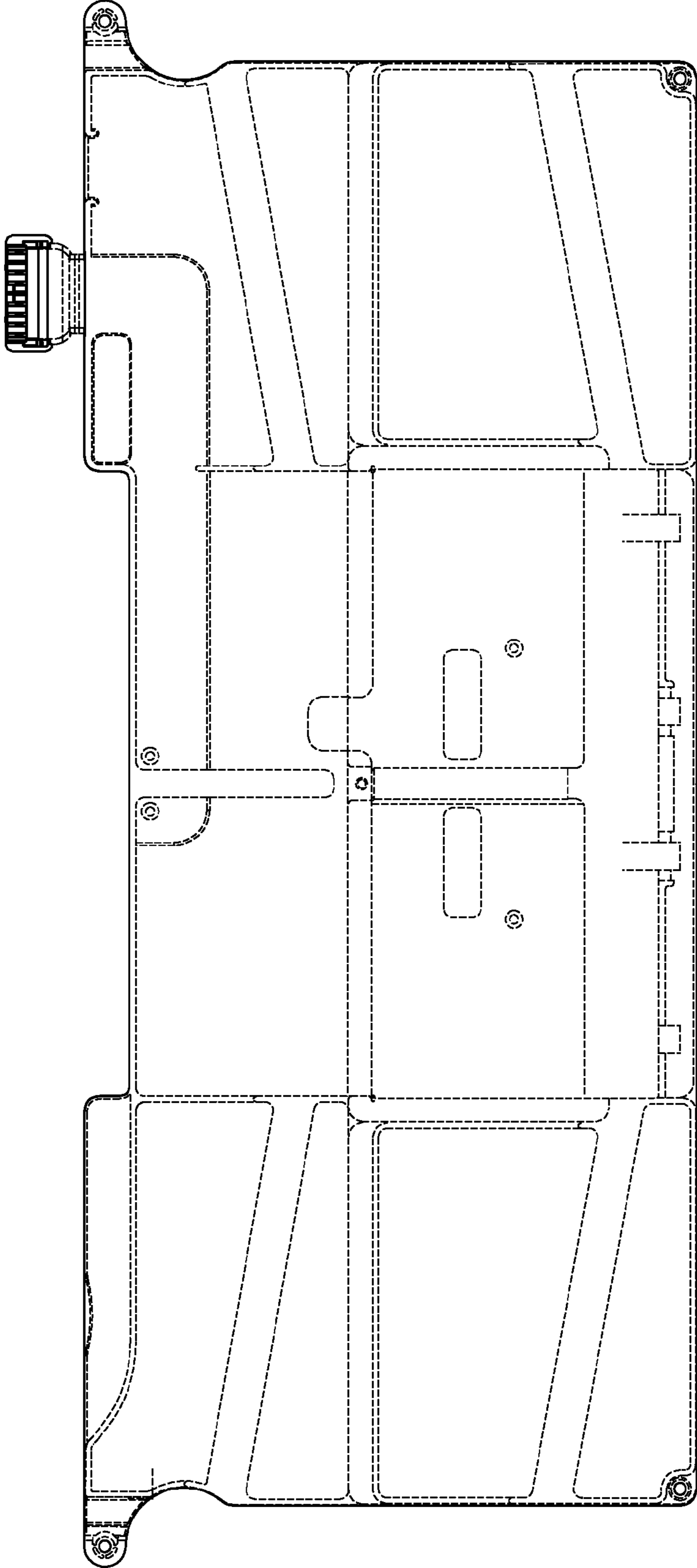


FIG. 2

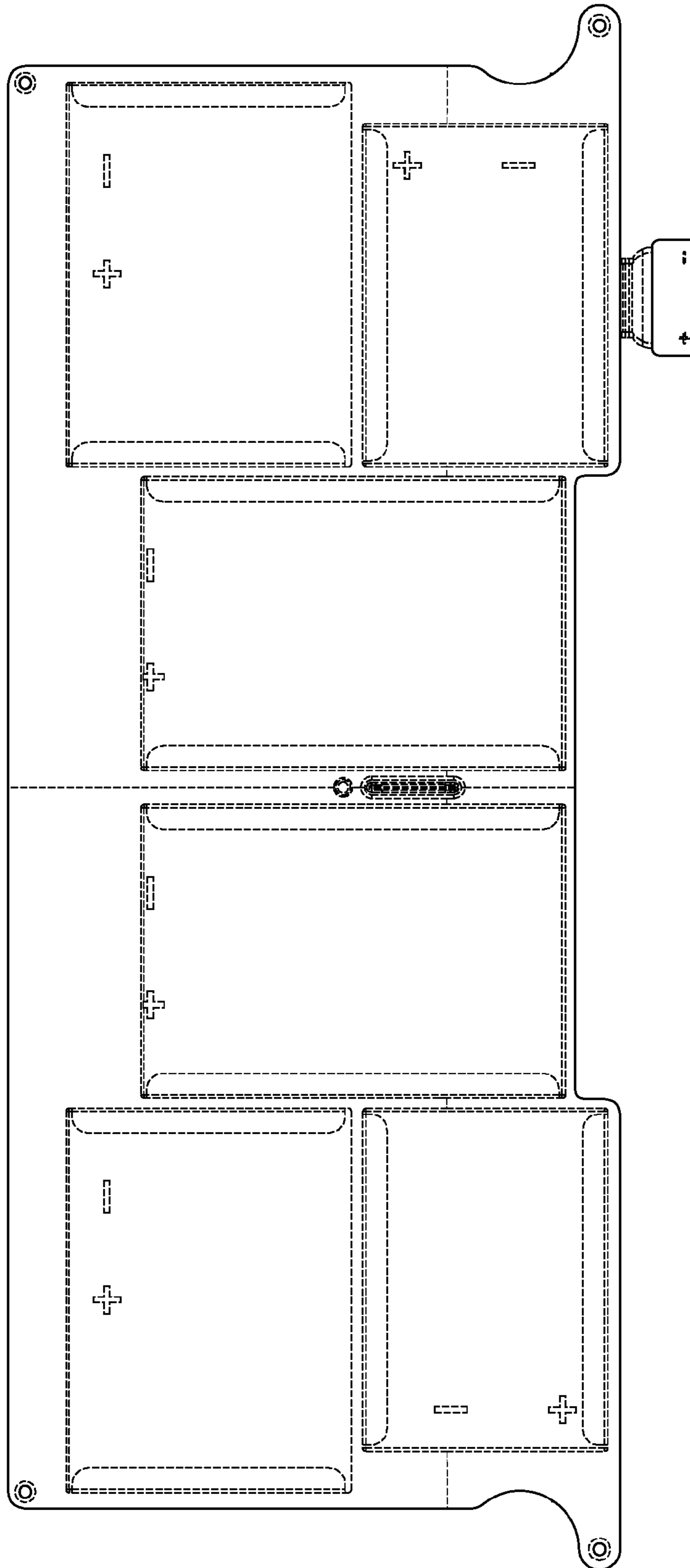


FIG. 3

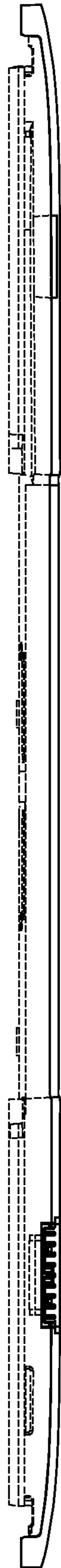
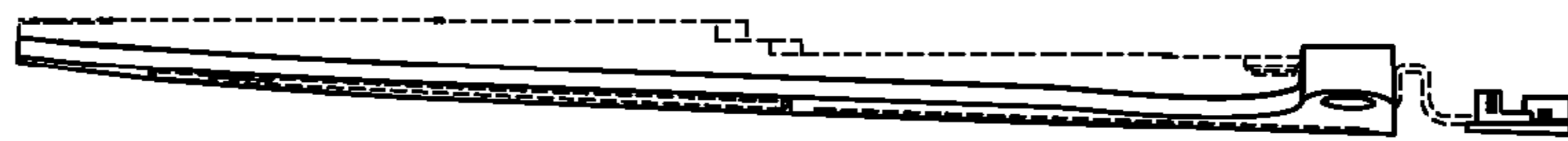


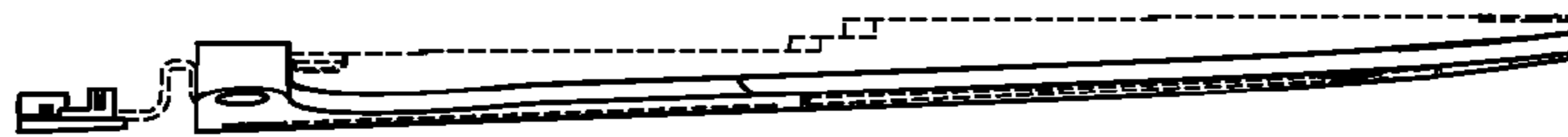
FIG. 4



FIG. 5



**FIG. 6**



**FIG. 7**