



US00D637156S

(12) **United States Design Patent**
Yoon

(10) **Patent No.:** **US D637,156 S**

(45) **Date of Patent:** **** May 3, 2011**

(54) **DRY CELL HOLDER FOR FLASHLIGHT**

(75) Inventor: **Sang-Yeon Yoon**, Busan (KR)

(73) Assignee: **Aitec Co., Ltd.**, Busan (KR)

(**) Term: **14 Years**

(21) Appl. No.: **29/311,699**

(22) Filed: **May 27, 2009**

(51) **LOC (9) Cl.** **13-02**

(52) **U.S. Cl.** **D13/119**

(58) **Field of Classification Search** D13/102-106,
D13/110, 118-121, 184, 199; 429/96-100,
429/154, 157, 163, 176, 187; 439/500; D26/113
See application file for complete search history.

(56) **References Cited**

U.S. PATENT DOCUMENTS

267,025	A *	11/1882	See	607/145
D136,758	S *	11/1943	Casanov	D13/119
2,951,107	A *	8/1960	Abrams	429/100
D231,990	S *	7/1974	Peasley	D13/119
4,495,257	A *	1/1985	Engelstein et al.	429/100
D361,980	S *	9/1995	Chen	D13/119

D468,259	S *	1/2003	Garrity et al.	D13/119
D488,443	S *	4/2004	Bailey	D13/119
7,527,893	B2 *	5/2009	Larsen	429/100
2007/0275299	A1 *	11/2007	Larsen	429/100
2010/0231142	A1 *	9/2010	Yoon	315/312

* cited by examiner

Primary Examiner — Rosemary K Tarcza

(74) *Attorney, Agent, or Firm* — Harness, Dickey & Pierce, P.L.C.

(57) **CLAIM**

The ornamental design for a dry cell holder for flashlight, as shown.

DESCRIPTION

FIG. 1 is a front, top and right side perspective view of an embodiment of a dry cell holder for flashlight showing our new design;

FIG. 2 is a front elevational view thereof;

FIG. 3 is a rear elevational view thereof;

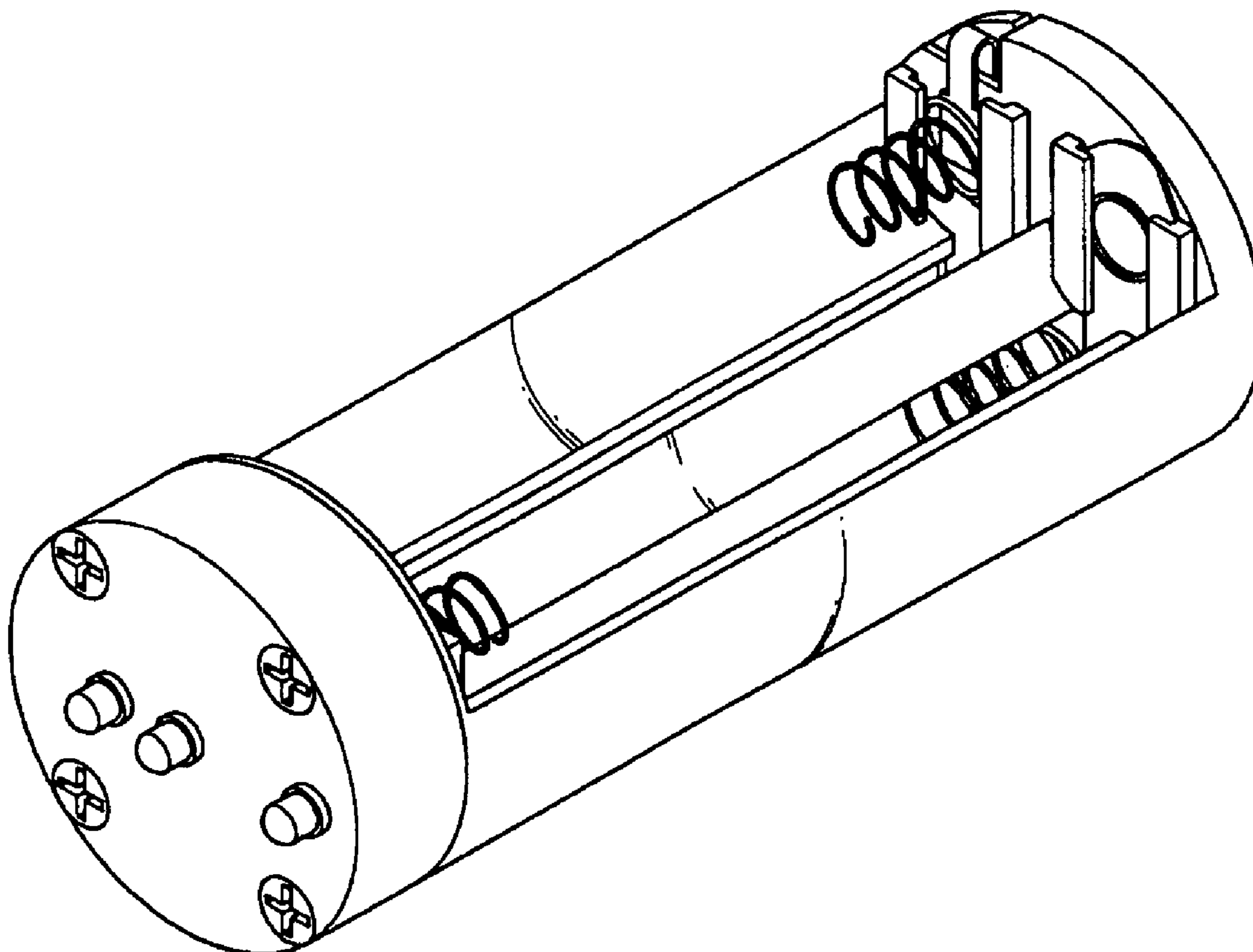
FIG. 4 is a left side elevational view thereof;

FIG. 5 is a right side elevational view thereof;

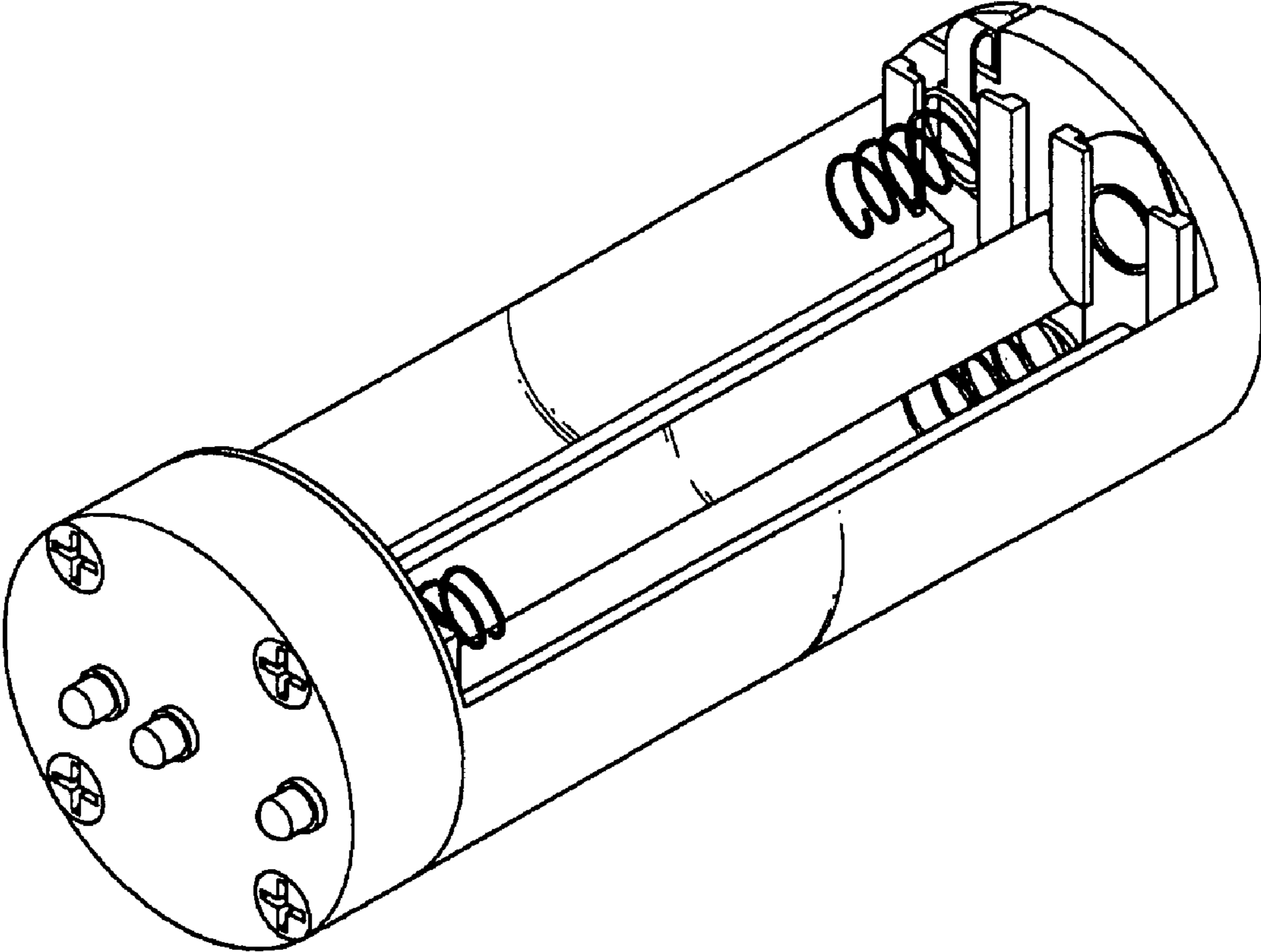
FIG. 6 is a top plan view thereof; and,

FIG. 7 is a bottom plan view thereof.

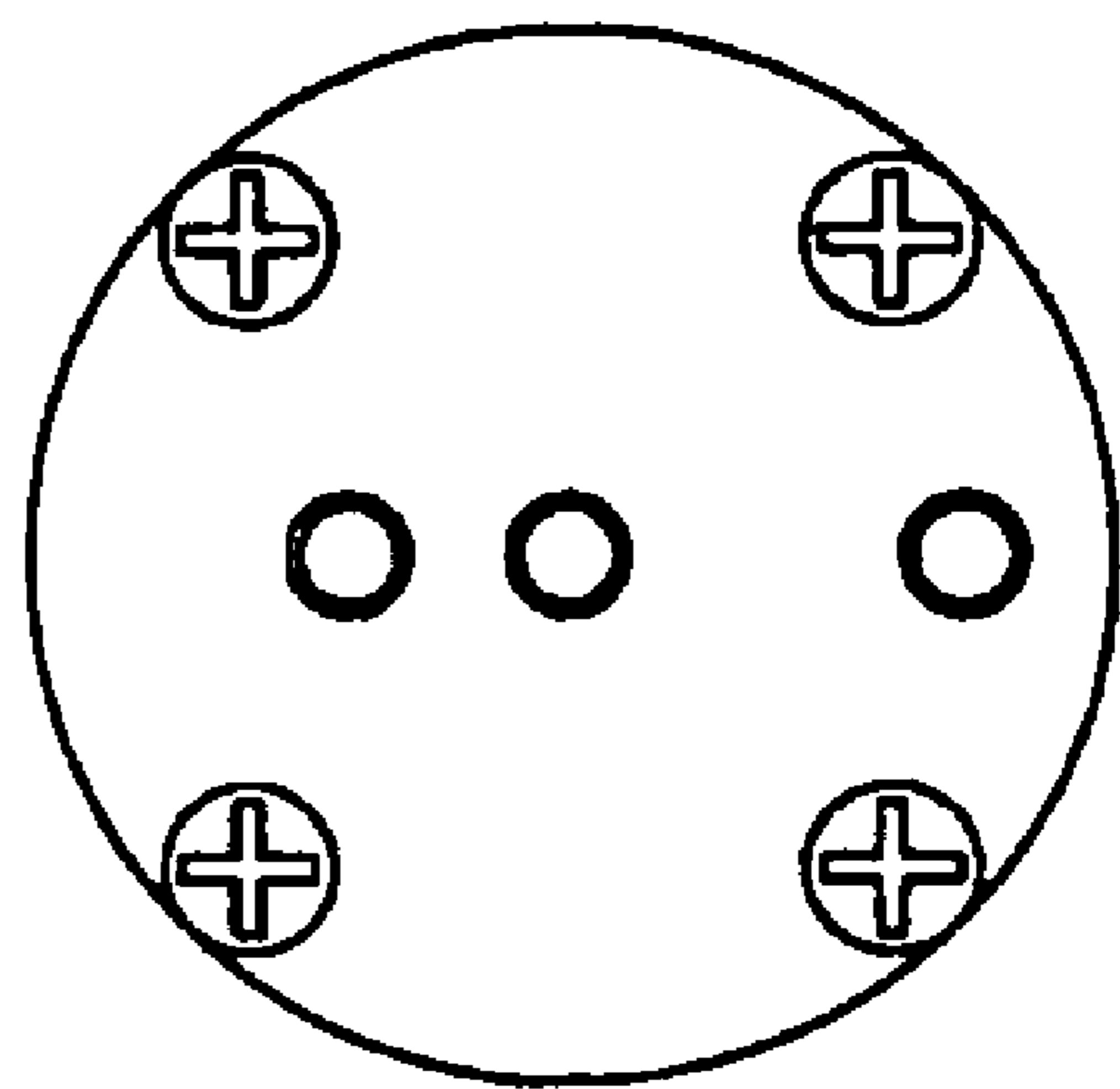
1 Claim, 7 Drawing Sheets



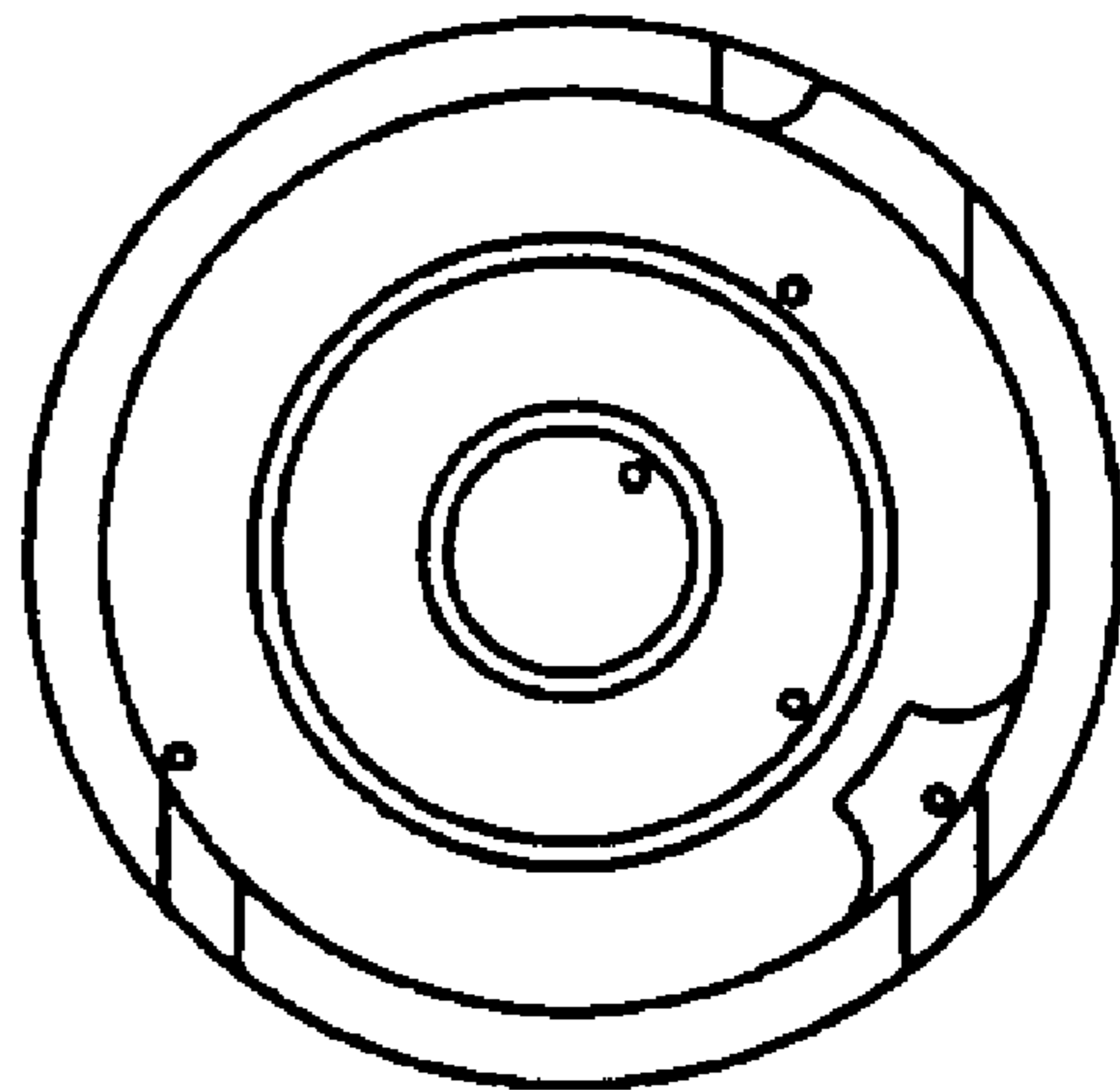
【FIG. 1】



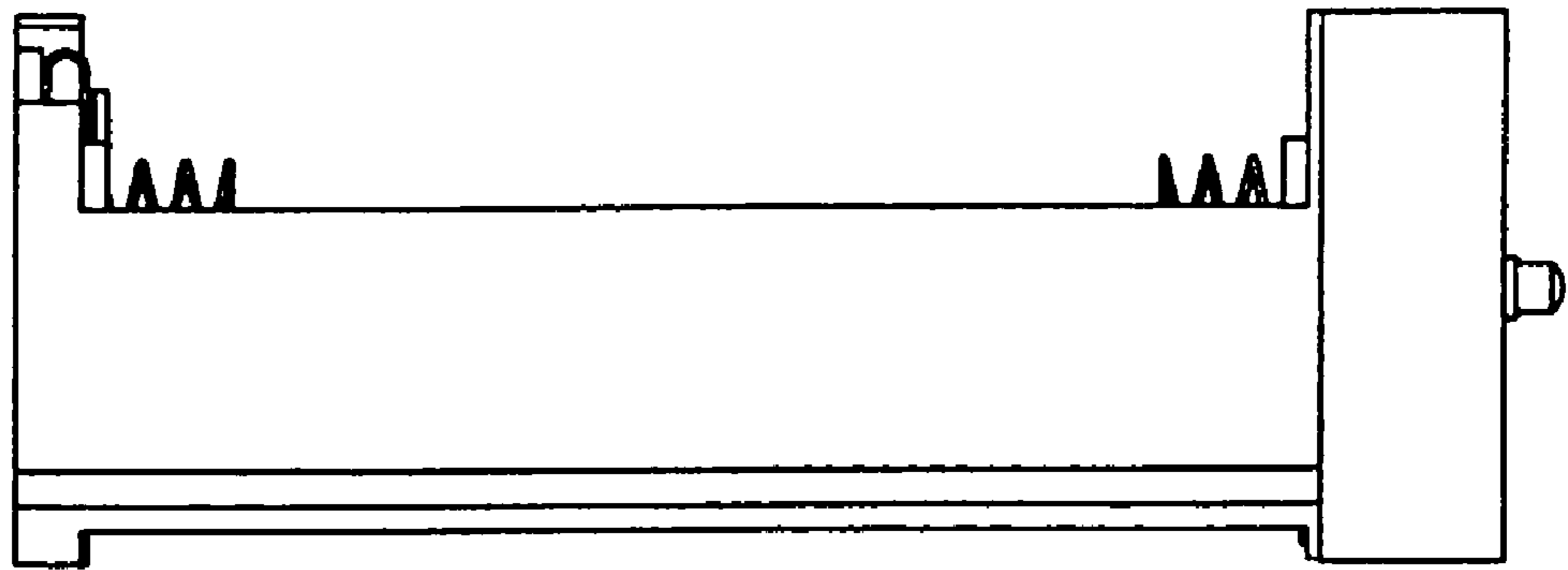
【FIG. 2】



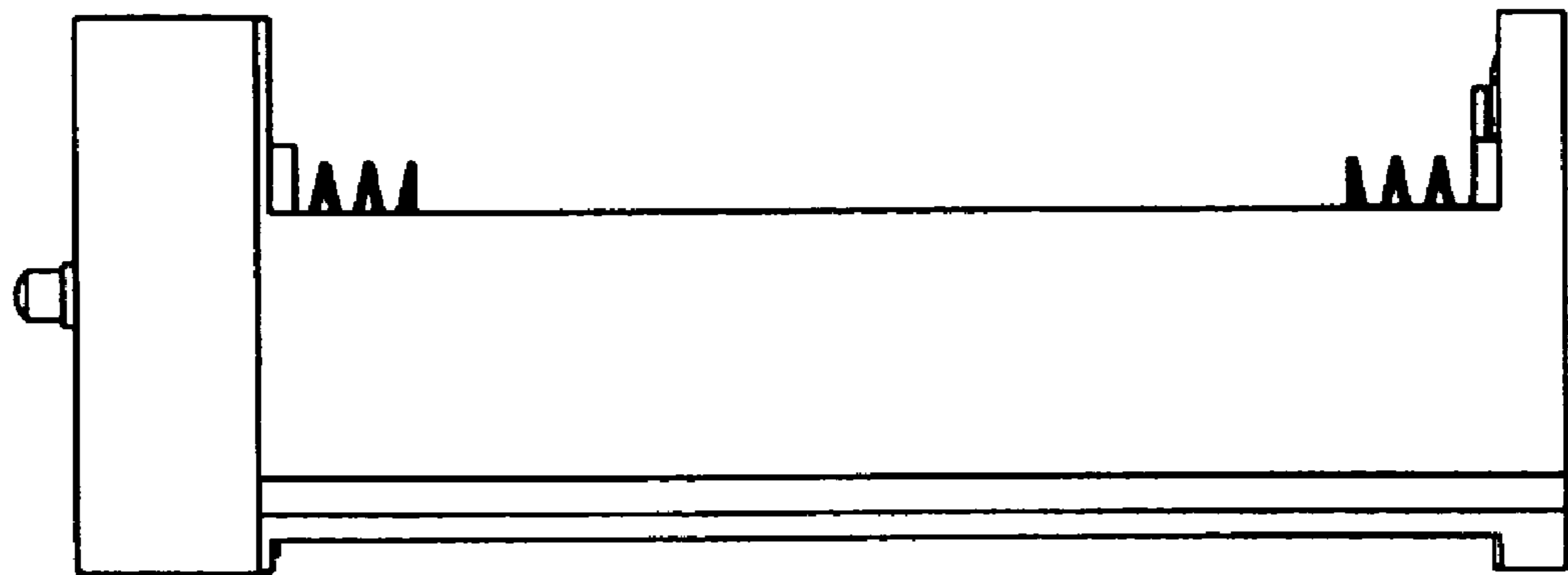
【FIG. 3】



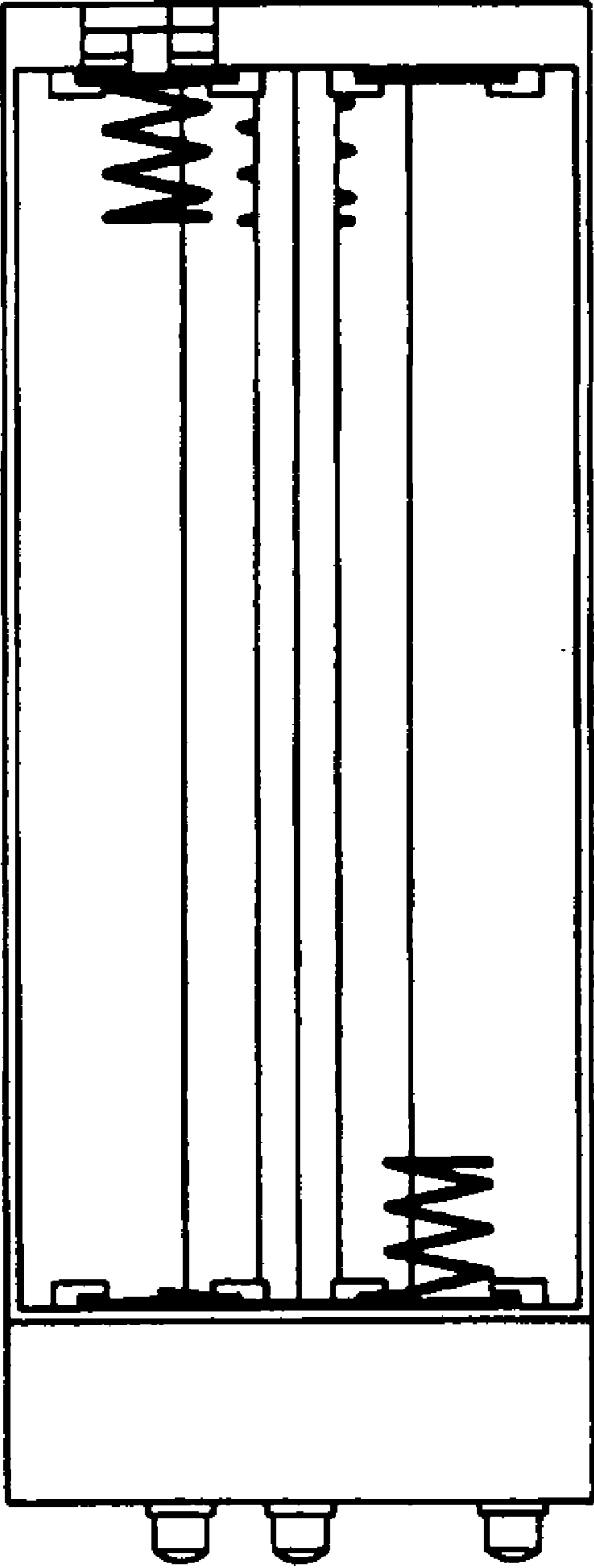
【FIG. 4】



【FIG. 5】



【FIG. 6】



【FIG. 7】

