

US00D637155S

(12) **United States Design Patent**
Jeon et al.

(10) **Patent No.:** **US D637,155 S**

(45) **Date of Patent:** **** May 3, 2011**

(54) **CHARGER FOR INTERNET WIRELESS PHONE**

(75) Inventors: **So-Yoon Jeon**, Guri (KR); **Sang-Sung Woo**, Seoul (KR)

(73) Assignee: **Samsung Electronics Co., Ltd.** (KR)

(**) Term: **14 Years**

(21) Appl. No.: **29/376,787**

(22) Filed: **Oct. 12, 2010**

(30) **Foreign Application Priority Data**

Aug. 9, 2010 (KR) 30-2010-0034439

(51) **LOC (9) Cl.** **13-02**

(52) **U.S. Cl.** **D13/108**

(58) **Field of Classification Search** D13/107–110,
D13/118–119, 184, 199; D14/251, 253,
D14/432, 434; 320/107–115

See application file for complete search history.

(56) **References Cited**

U.S. PATENT DOCUMENTS

D345,728 S * 4/1994 Tyneski et al. D13/108
D385,252 S * 10/1997 Snyder et al. D13/108

D399,244 S * 10/1998 Coveley D18/12
D431,021 S * 9/2000 Collins D13/108
6,130,521 A * 10/2000 Collins et al. 320/115
D460,446 S * 7/2002 Hughes et al. D14/253
D474,737 S * 5/2003 Yoshida D13/108
D480,393 S * 10/2003 Toor et al. D14/253
D488,440 S * 4/2004 Senda D13/108
D503,700 S * 4/2005 Mamero D14/149
D577,334 S * 9/2008 Kim et al. D13/108
D580,855 S * 11/2008 Haspil et al. D13/108
D621,345 S * 8/2010 Tinius D13/107

* cited by examiner

Primary Examiner — Rosemary K Tarcza

(74) *Attorney, Agent, or Firm* — Cantor Colburn LLP

(57) **CLAIM**

We claim, the ornamental design for a charger for internet wireless phone, as shown and described.

DESCRIPTION

FIG. 1 is a perspective view of charger for internet wireless phone, showing our new design;
FIG. 2 is a front elevational view thereof;
FIG. 3 is a rear elevational view thereof;
FIG. 4 is a left side elevational view thereof;
FIG. 5 is a right side elevational view thereof;
FIG. 6 is a top plan view thereof; and,
FIG. 7 is a bottom plan view thereof.

1 Claim, 4 Drawing Sheets

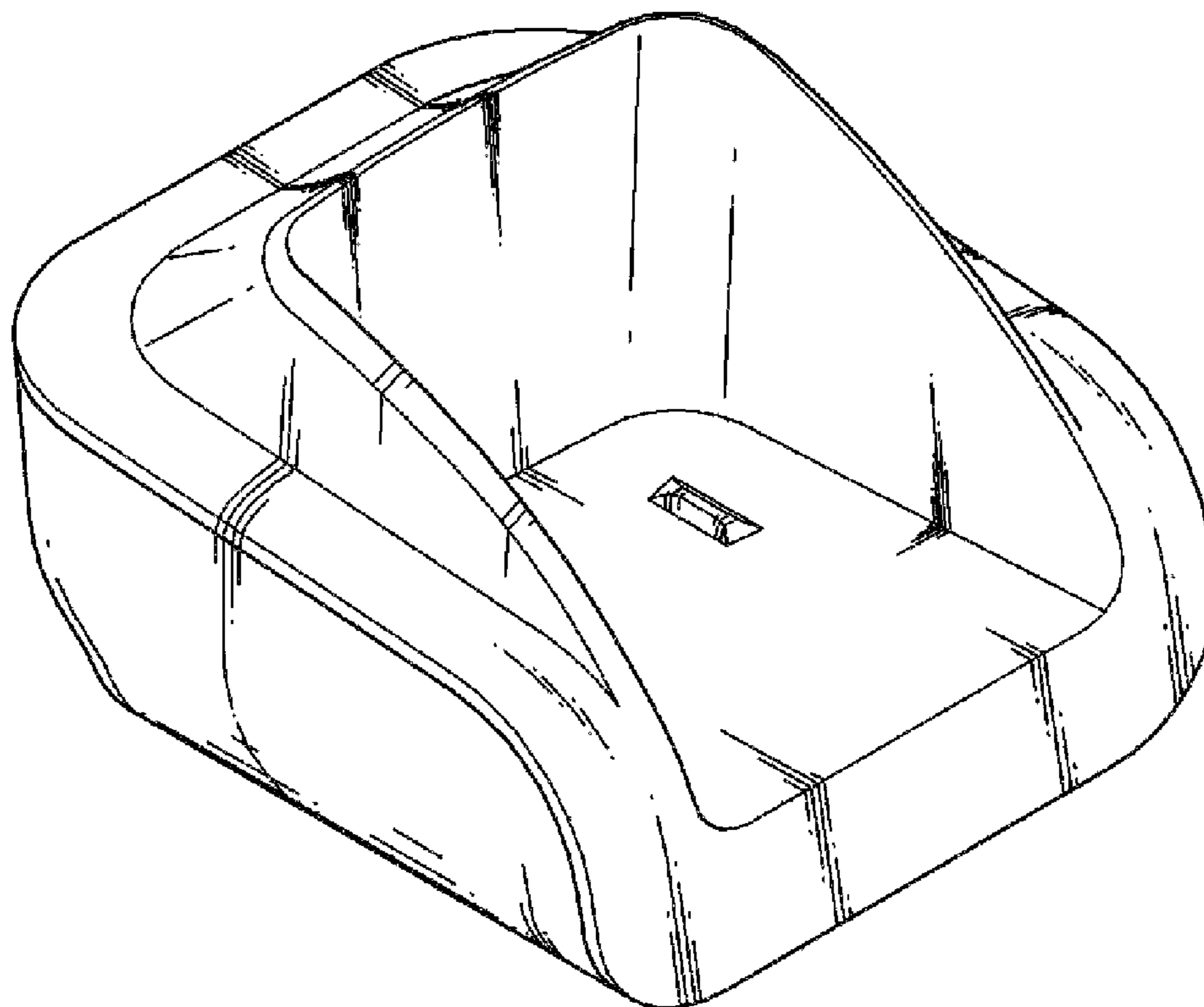


FIG. 1

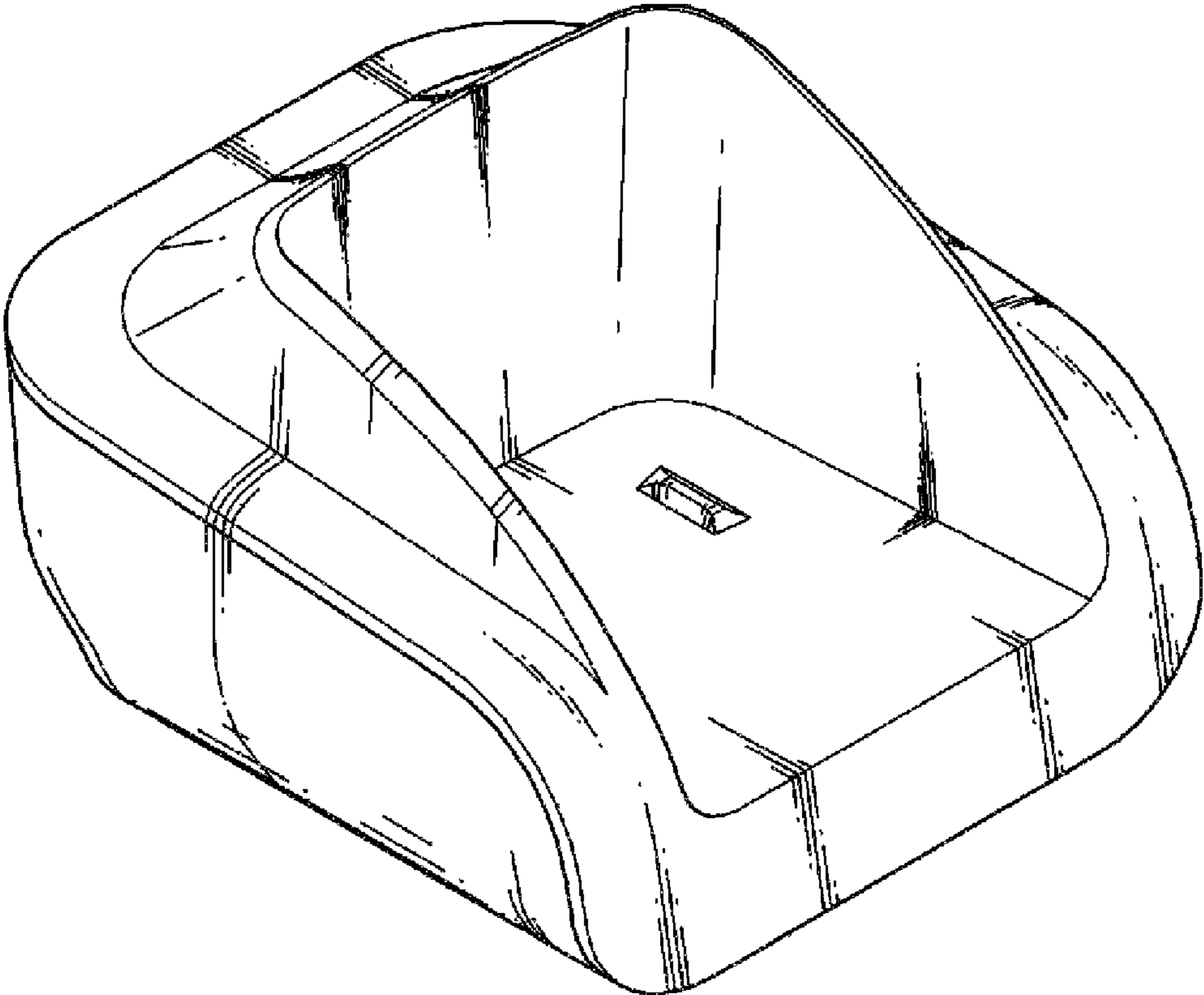


FIG. 2

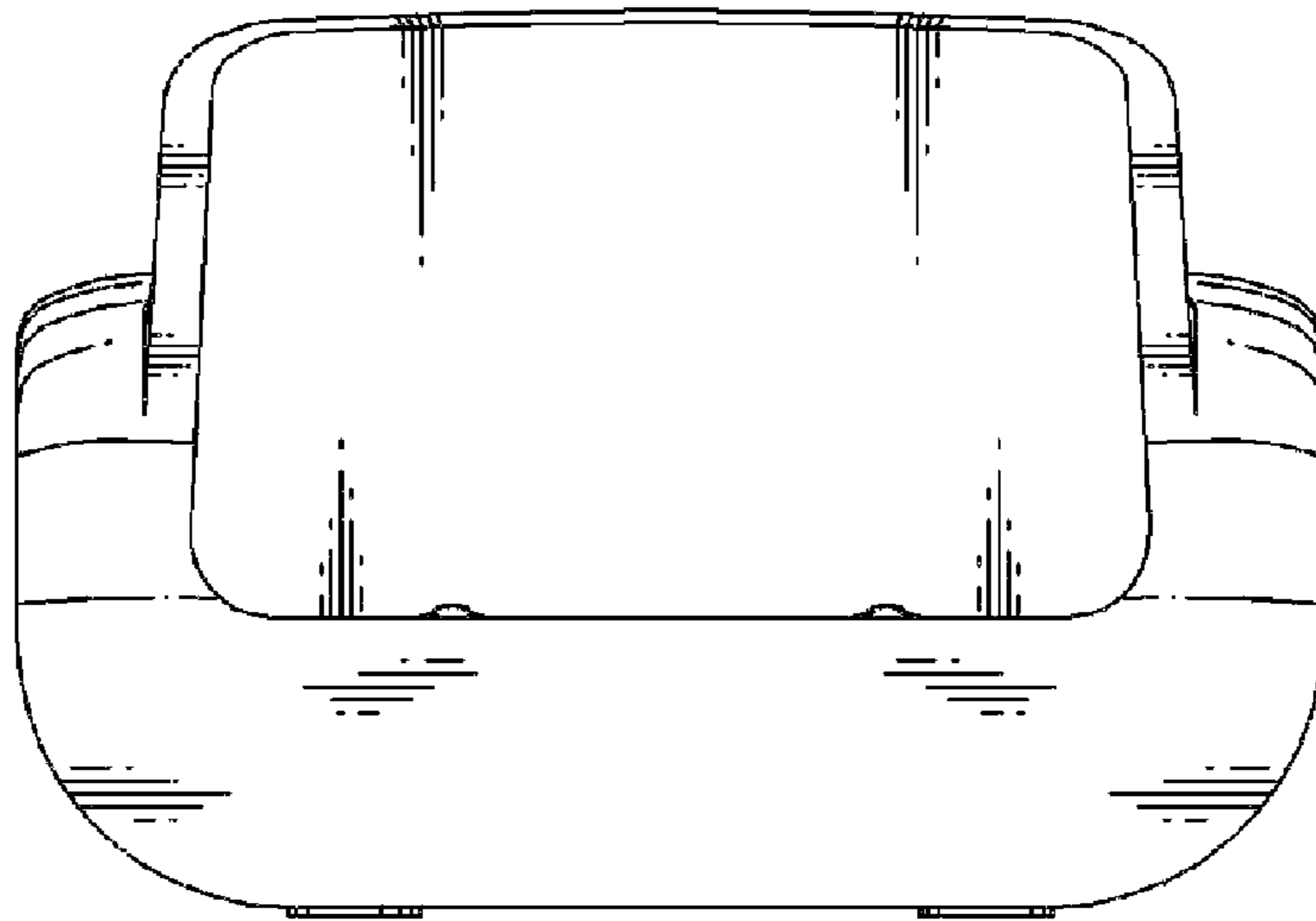


FIG. 3

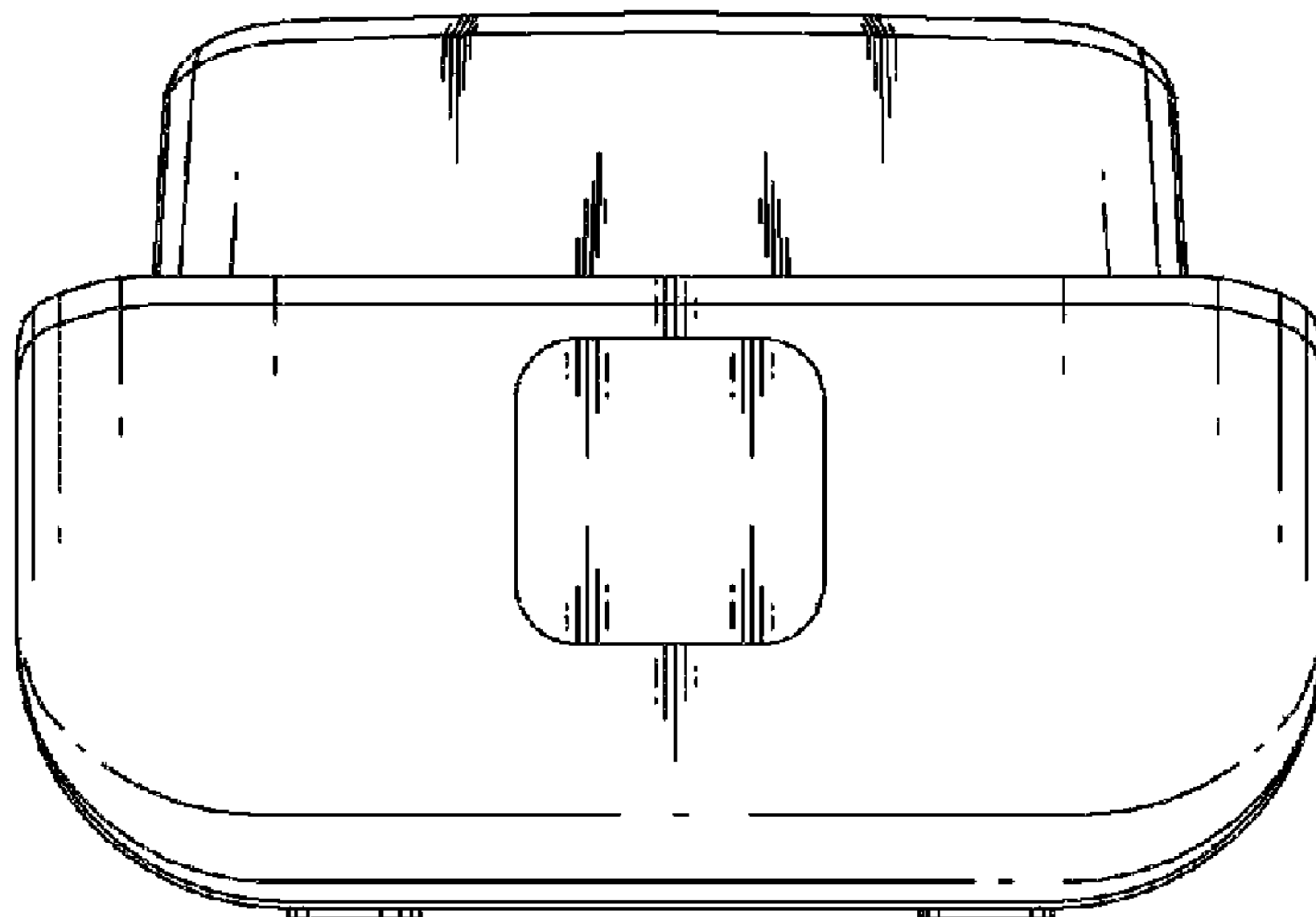


FIG. 4

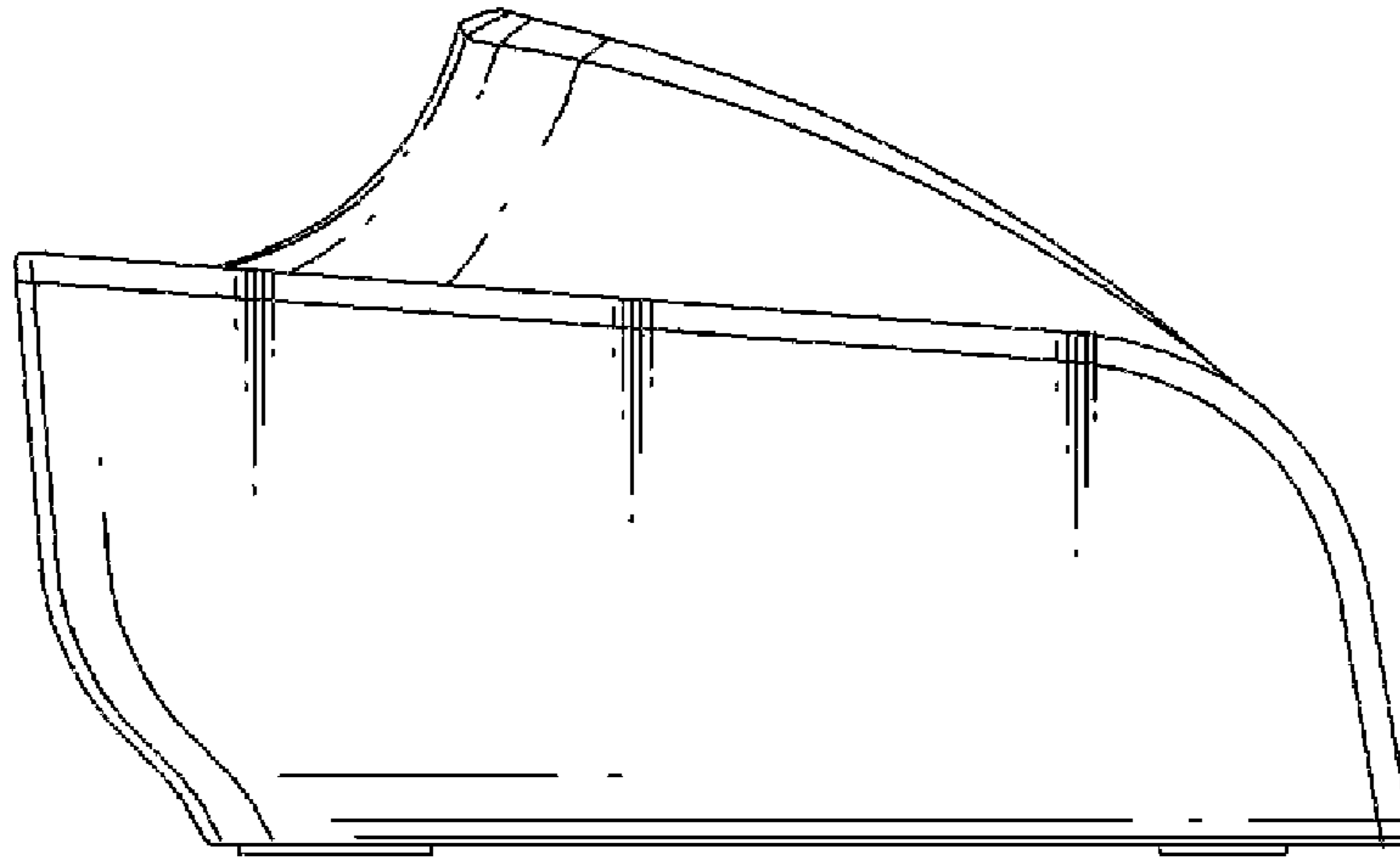


FIG. 5

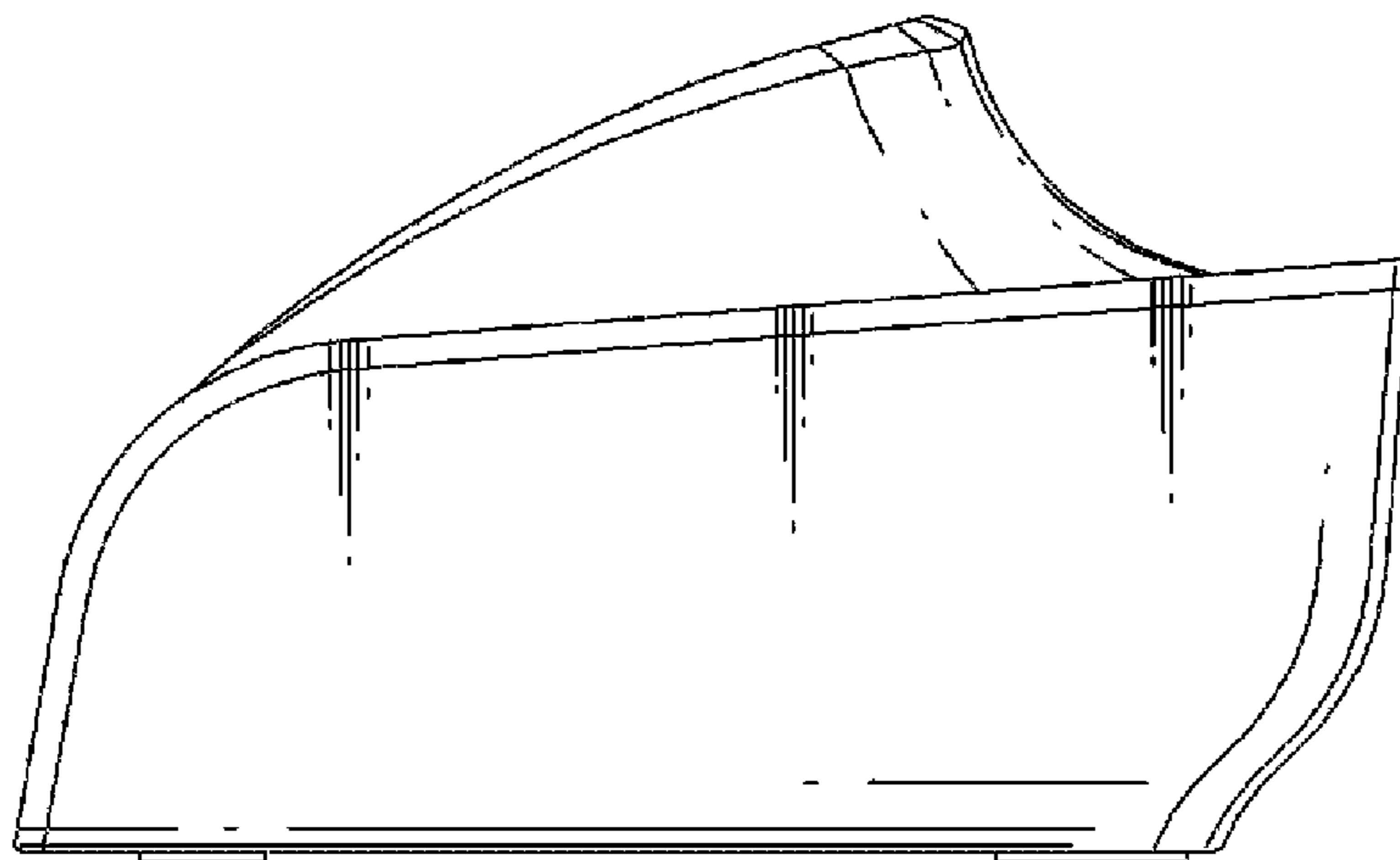


FIG. 6

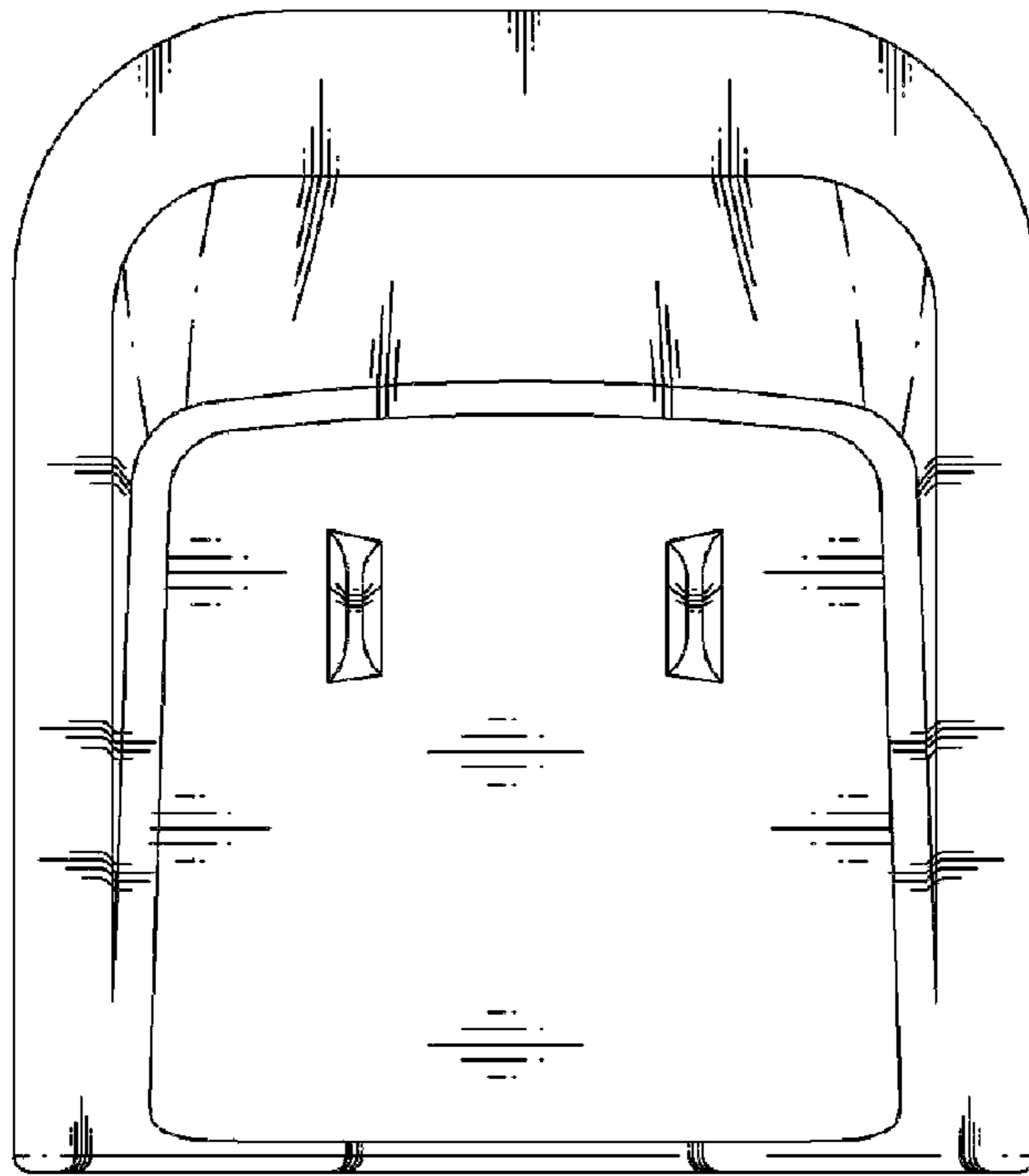


FIG. 7

