



US00D637154S

(12) **United States Design Patent**  
**Smith**

(10) **Patent No.:** **US D637,154 S**

(45) **Date of Patent:** **\*\* May 3, 2011**

(54) **MOBILE DEVICE CHARGING STAND**

(75) Inventor: **Eldrege Smith**, New York, NY (US)

(73) Assignee: **Skeydex Inc.**, New York, NY (US)

(\*\*) Term: **14 Years**

(21) Appl. No.: **29/364,855**

(22) Filed: **Jun. 29, 2010**

(51) **LOC (9) Cl.** ..... **13-02**

(52) **U.S. Cl.** ..... **D13/108**

(58) **Field of Classification Search** ..... D13/107–110,  
D13/118–119, 184, 199; D14/251, 253,  
D14/432, 434; 320/107–115

See application file for complete search history.

(56) **References Cited**

U.S. PATENT DOCUMENTS

|              |        |              |       |         |
|--------------|--------|--------------|-------|---------|
| D526,973 S * | 8/2006 | Gates et al. | ..... | D13/184 |
| D527,704 S * | 9/2006 | Rodarte      | ..... | D13/108 |
| D547,319 S * | 7/2007 | Chang        | ..... | D14/454 |
| D575,289 S * | 8/2008 | Kuo et al.   | ..... | D14/434 |
| D594,404 S * | 6/2009 | Kuo et al.   | ..... | D13/107 |
| D595,722 S * | 7/2009 | Miyawaki     | ..... | D14/447 |

\* cited by examiner

*Primary Examiner* — Rosemary K Tarcza

(74) *Attorney, Agent, or Firm* — Vinson & Elkins, LLP

(57) **CLAIM**

I claim the ornamental design for a mobile device charging stand, as shown.

**DESCRIPTION**

FIG. 1 is a perspective view of my mobile device charging stand design.

FIG. 2 is a front side view of my mobile device charging stand design.

FIG. 3 is a rear side view of my mobile device charging stand design.

FIG. 4 is a right side view of my mobile device charging stand design.

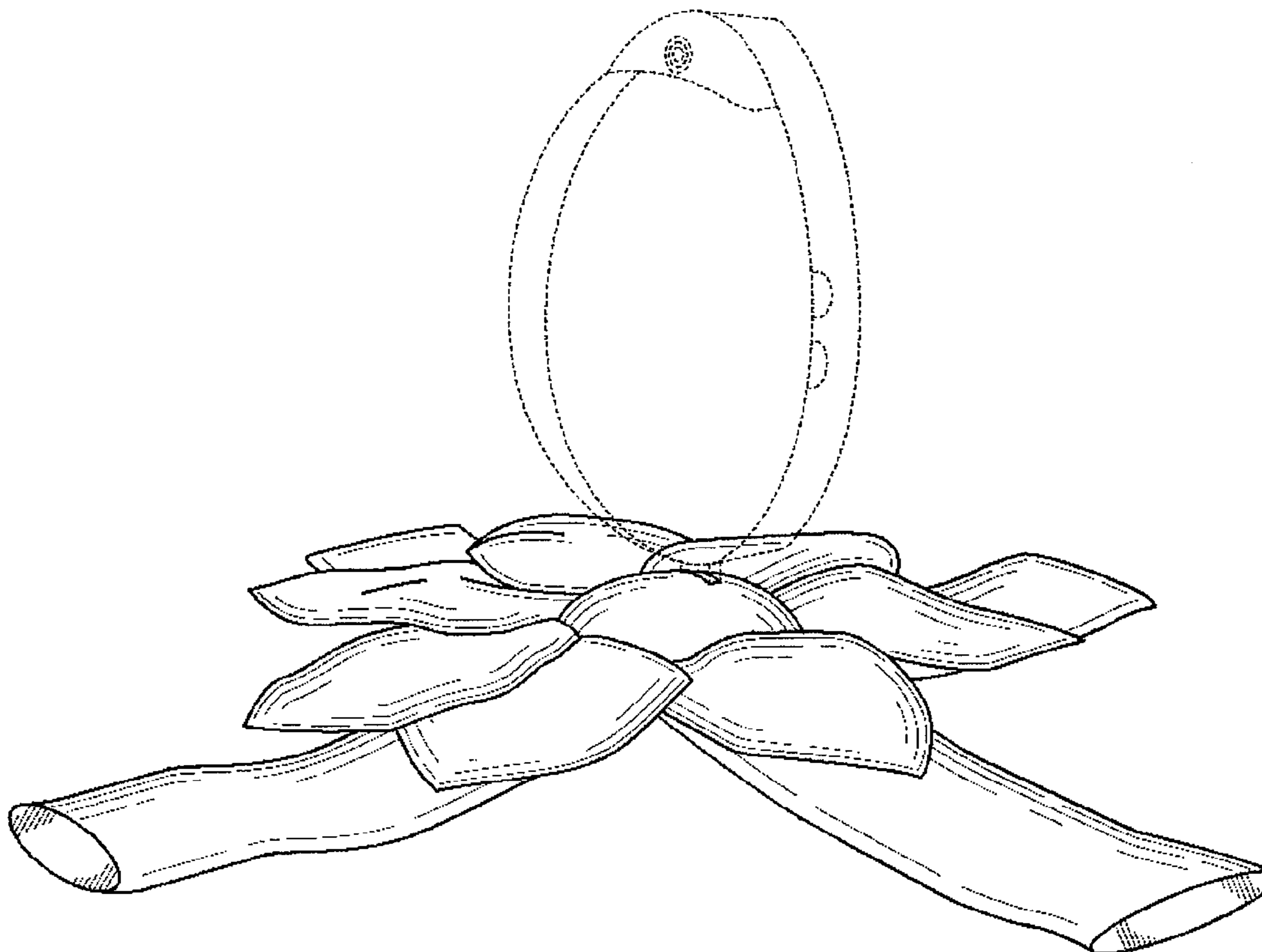
FIG. 5 is a left side view of my mobile device charging stand design.

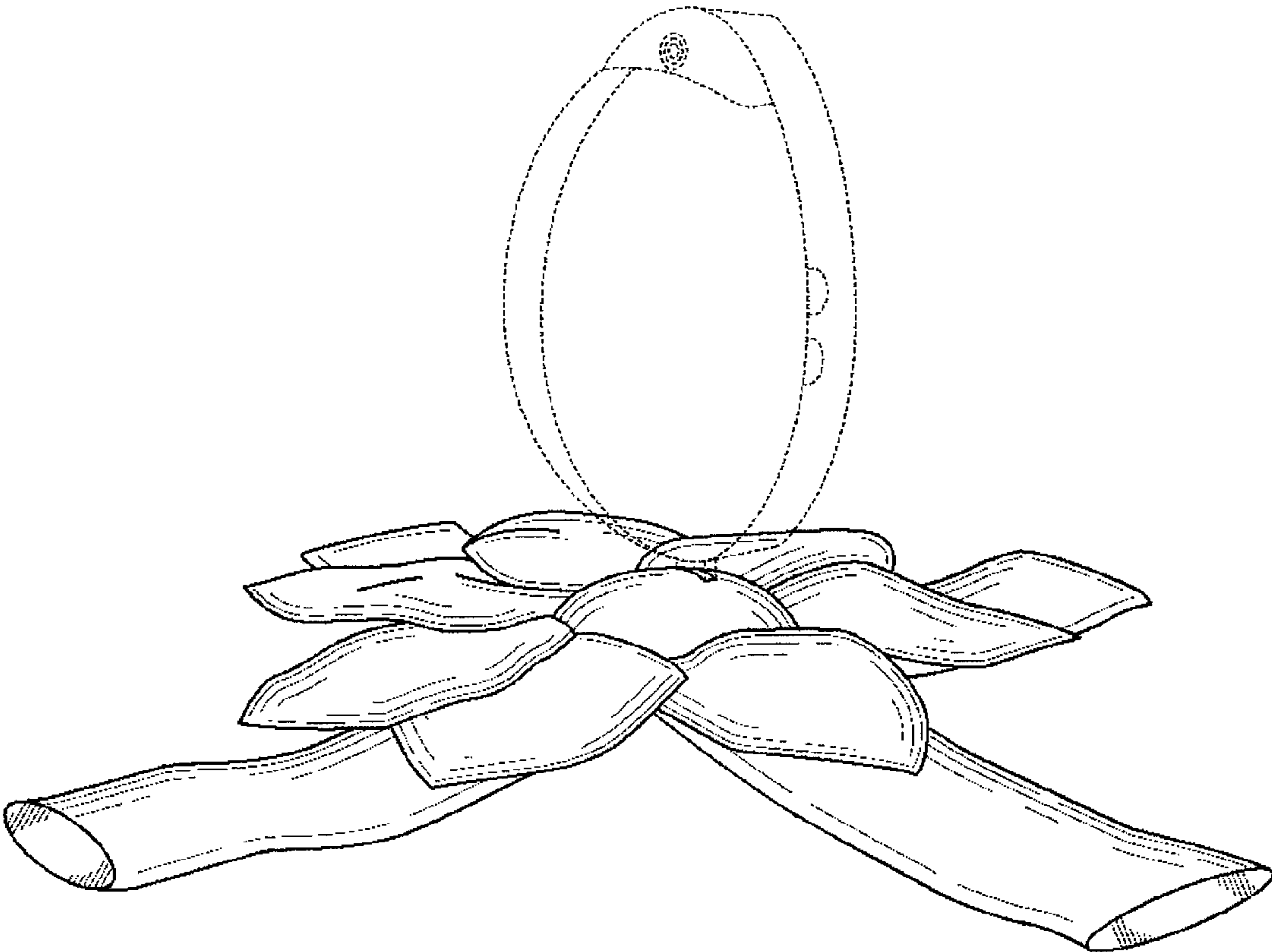
FIG. 6 is a top plan view of my mobile device charging stand design; and,

FIG. 7 is a bottom plan view of my mobile device charging stand design.

The broken lines shown in the drawings are included for the purpose of illustrating environmental structure and form no part of the claimed design.

**1 Claim, 5 Drawing Sheets**





**FIG. 1**

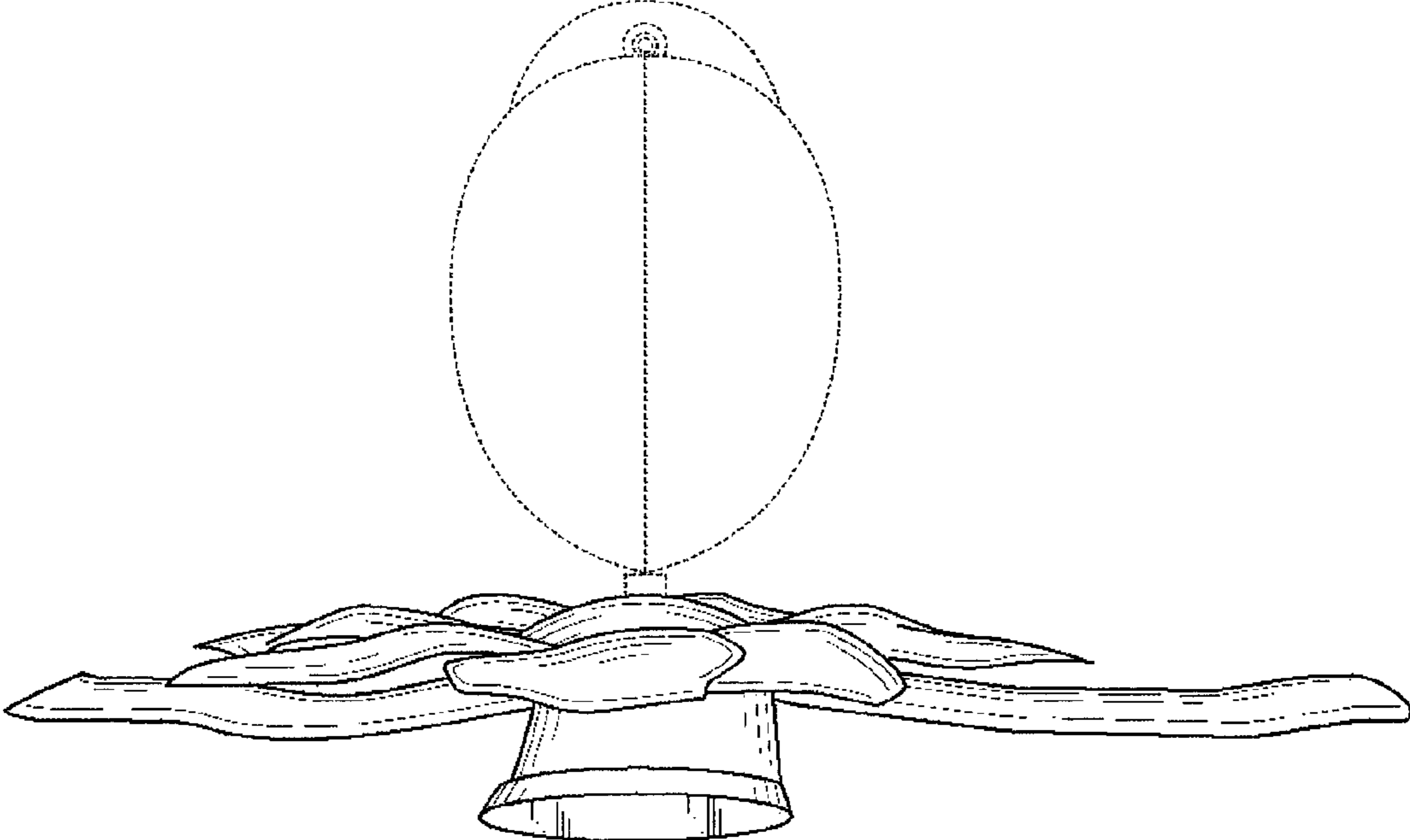


FIG. 2

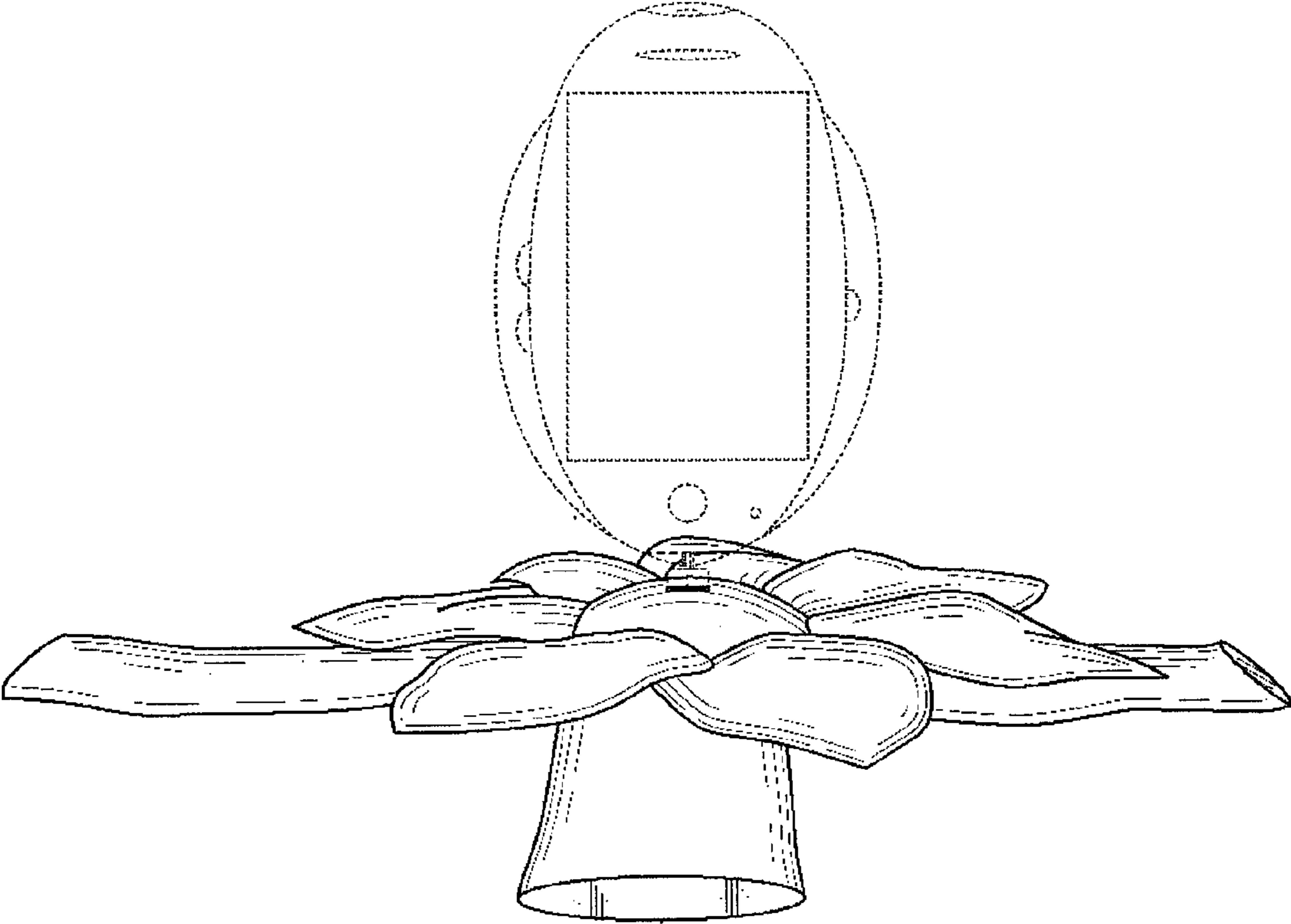
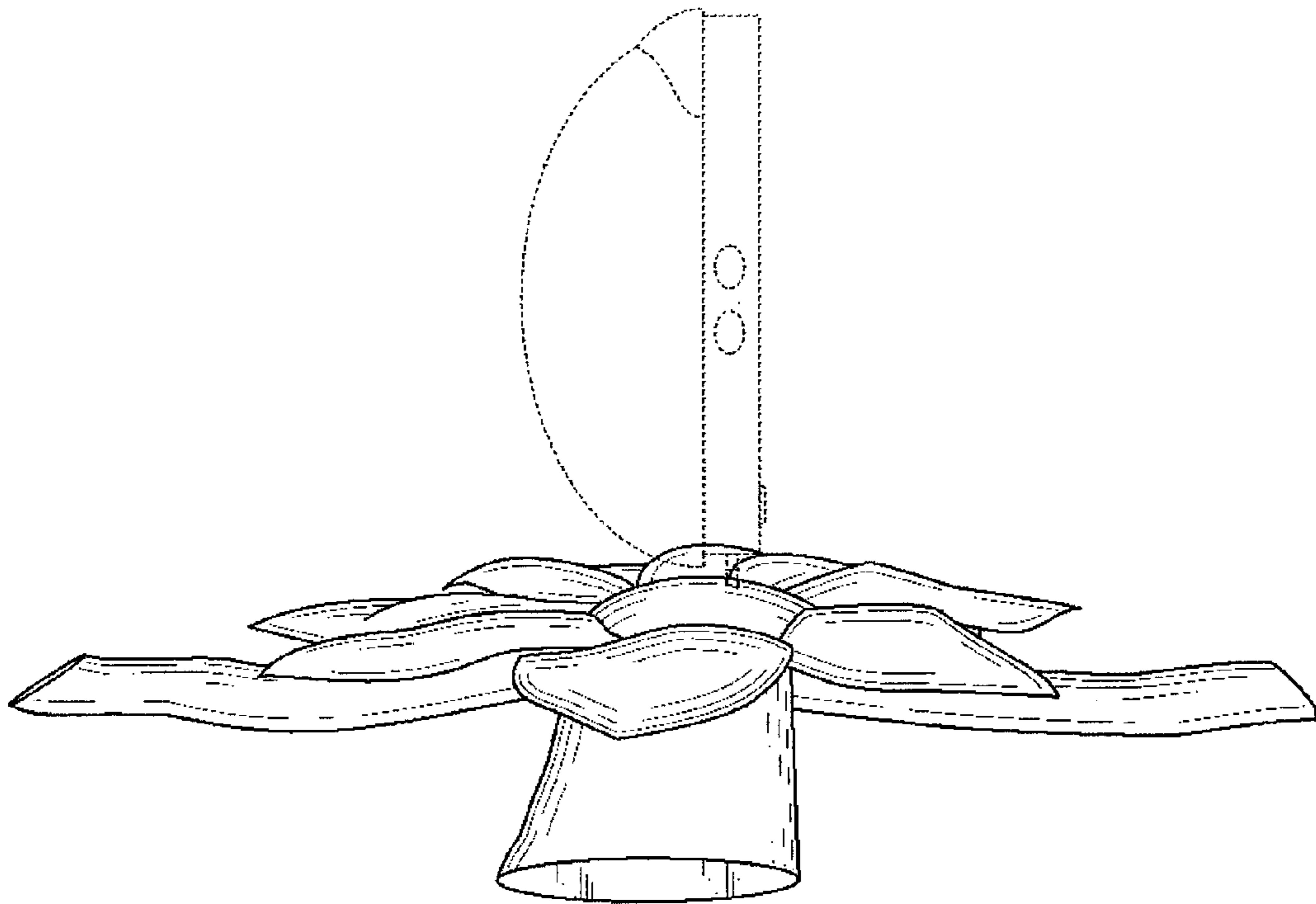
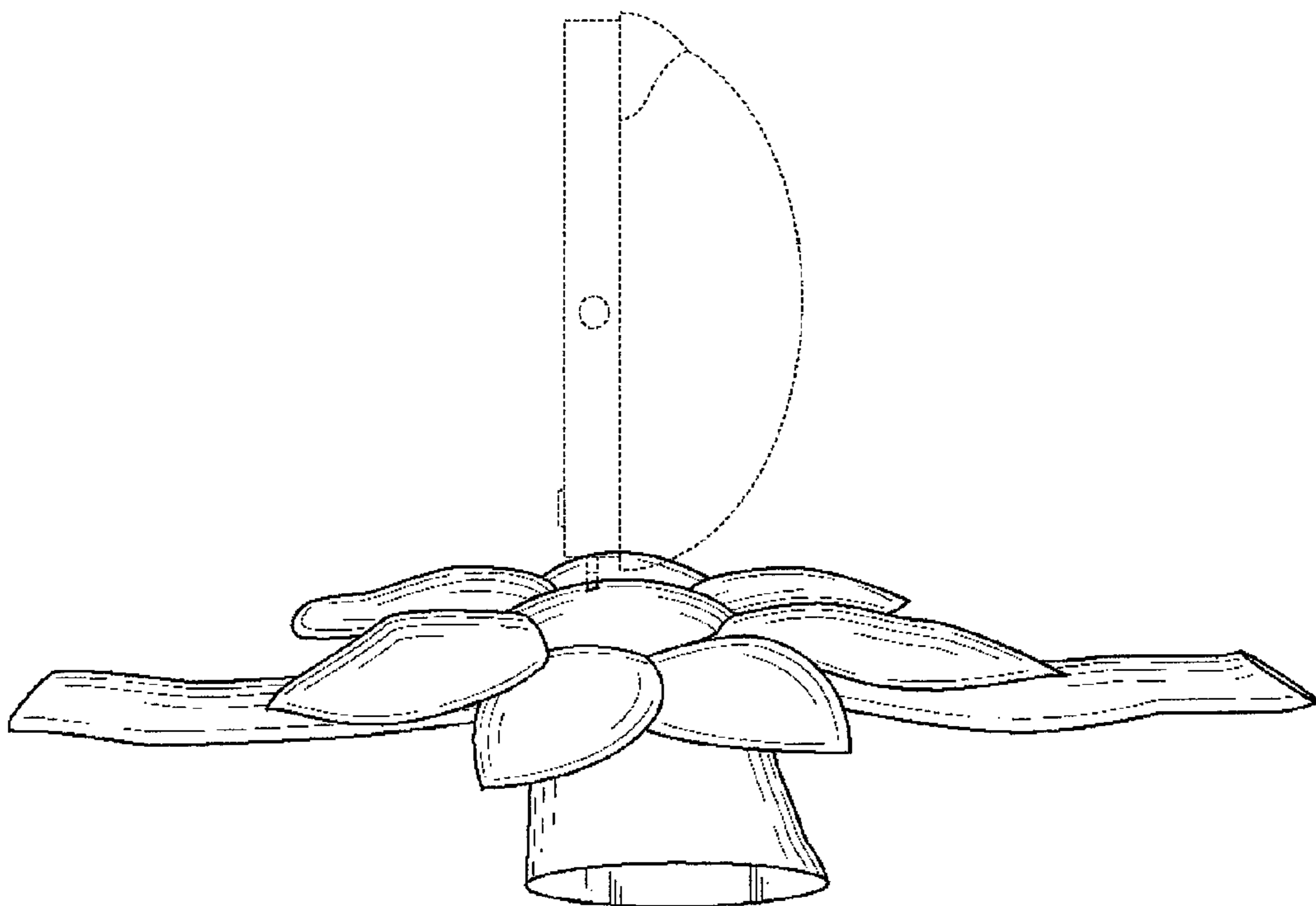


FIG. 3



**FIG. 4**



**FIG. 5**

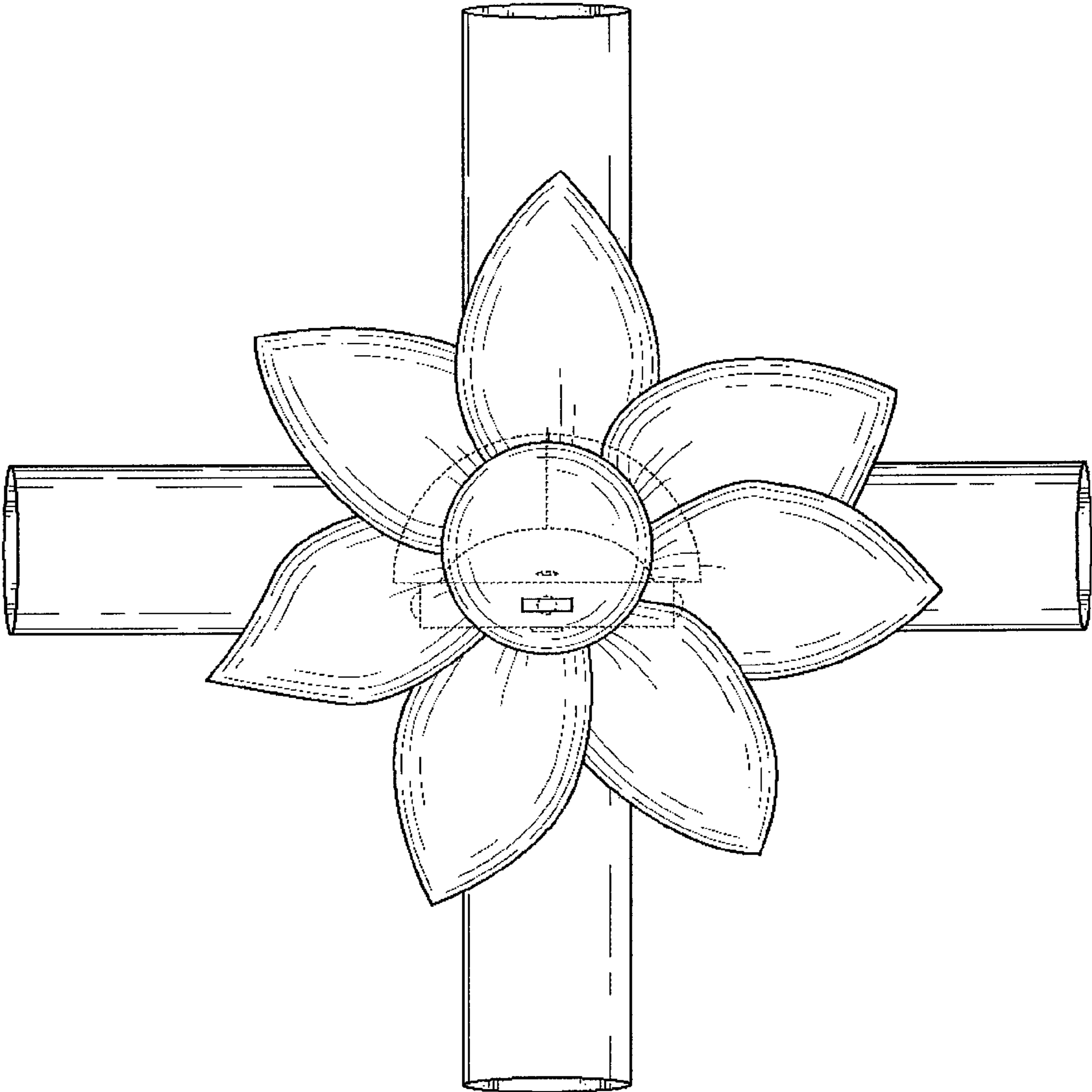


FIG. 6

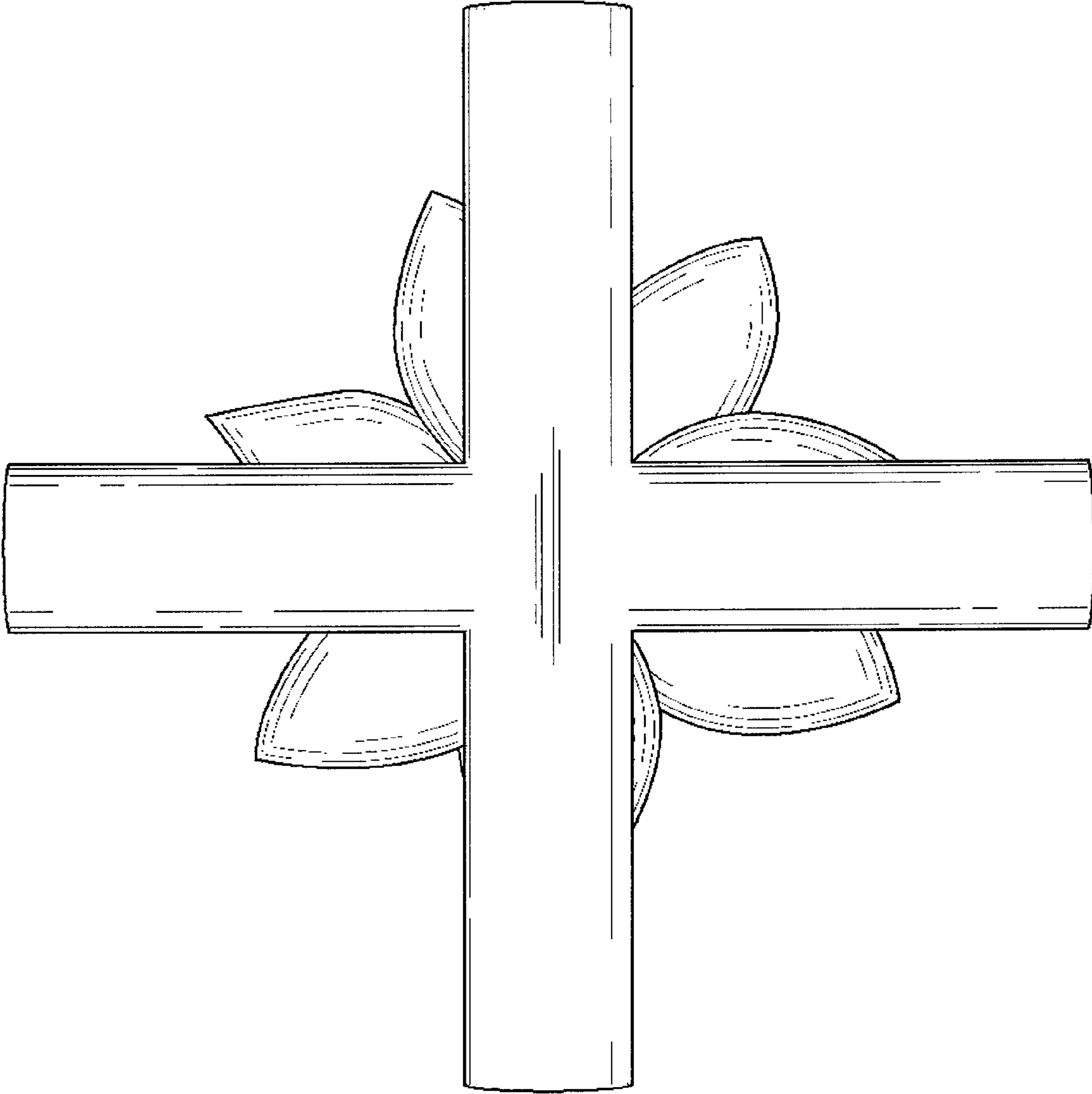


FIG. 7