



US00D637153S

(12) **United States Design Patent**
Ikeda et al.

(10) **Patent No.:** **US D637,153 S**
(45) **Date of Patent:** **** May 3, 2011**

(54) **BATTERY COVER COMPARTMENT FOR A GAME CONTROLLER**
(75) Inventors: **John Ikeda**, Seattle, WA (US); **Carl L. Ledbetter**, Mercer Island, WA (US); **Peter Bristol**, Redmond, WA (US)
(73) Assignee: **Microsoft Corporation**, Redmond, WA (US)

D453,932 S 2/2002 Han et al.
D506,065 S * 6/2005 Sugino et al. D3/294
D521,015 S 5/2006 Hayes et al.
D522,011 S 5/2006 Hayes et al.
D522,012 S 5/2006 Hayes et al.
D547,763 S 7/2007 Hayes et al.
D551,615 S * 9/2007 Wahl et al. D13/103
D557,203 S * 12/2007 Grunow et al. D13/103
D581,422 S 11/2008 Hayes et al.
D603,790 S * 11/2009 Andren et al. D13/103
D615,595 S 5/2010 Williamson et al.

(**) Term: **14 Years**

(21) Appl. No.: **29/368,841**

(22) Filed: **Aug. 30, 2010**

(51) **LOC (9) Cl.** **13-02**

(52) **U.S. Cl.** **D13/103**

(58) **Field of Classification Search** D13/102-106,
D13/110, 118-121, 184, 199; 429/96-100,
429/163, 176, 187
See application file for complete search history.

(56) **References Cited**

U.S. PATENT DOCUMENTS

D299,465 S * 1/1989 Helstab D14/355
D335,647 S * 5/1993 Hood D13/119
D348,083 S 6/1994 Smith, III et al.
D352,269 S * 11/1994 Alexandres et al. D13/103
D374,860 S * 10/1996 Amero et al. D13/103
D417,211 S 11/1999 Kaneko et al.
D421,433 S 3/2000 Alviar et al.
D424,047 S 5/2000 Chan
D432,180 S 10/2000 Hayes
D433,076 S 10/2000 Hayes
D435,551 S 12/2000 Hayes
D451,513 S 12/2001 Stewart et al.
D452,505 S 12/2001 Stewart et al.
D453,758 S 2/2002 Han et al.

OTHER PUBLICATIONS

Xbox 360 Wireless Controller, 1 color sheet, Microsoft, 2005.

* cited by examiner

Primary Examiner — Rosemary K Tarcza

(74) *Attorney, Agent, or Firm* — Banner & Witcoff, Ltd.

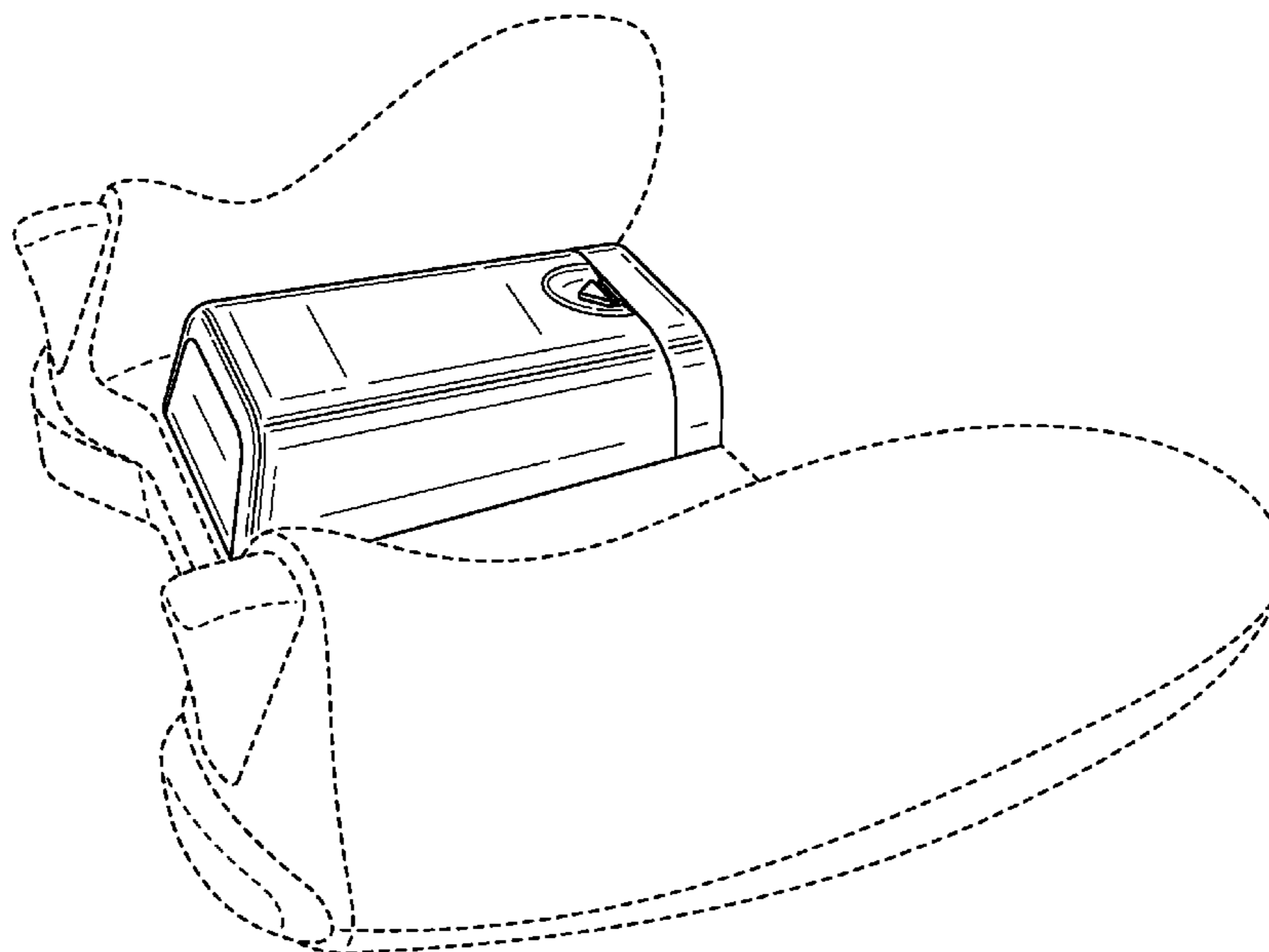
(57) **CLAIM**

The ornamental design for a battery cover compartment for a game controller, as shown and described.

DESCRIPTION

FIG. 1 is a bottom perspective view of a battery cover compartment for a game controller showing our new design; FIG. 2 is a bottom view thereof; FIG. 3 is a front view thereof; FIG. 4 is a rear view thereof; FIG. 5 is a left side view thereof; FIG. 6 is a right side view thereof; and, FIG. 7 is a top view thereof. The broken line showing of the remainder of the controller in FIGS. 1-7 is for environmental purposes only and forms no part of the claimed design.

1 Claim, 5 Drawing Sheets



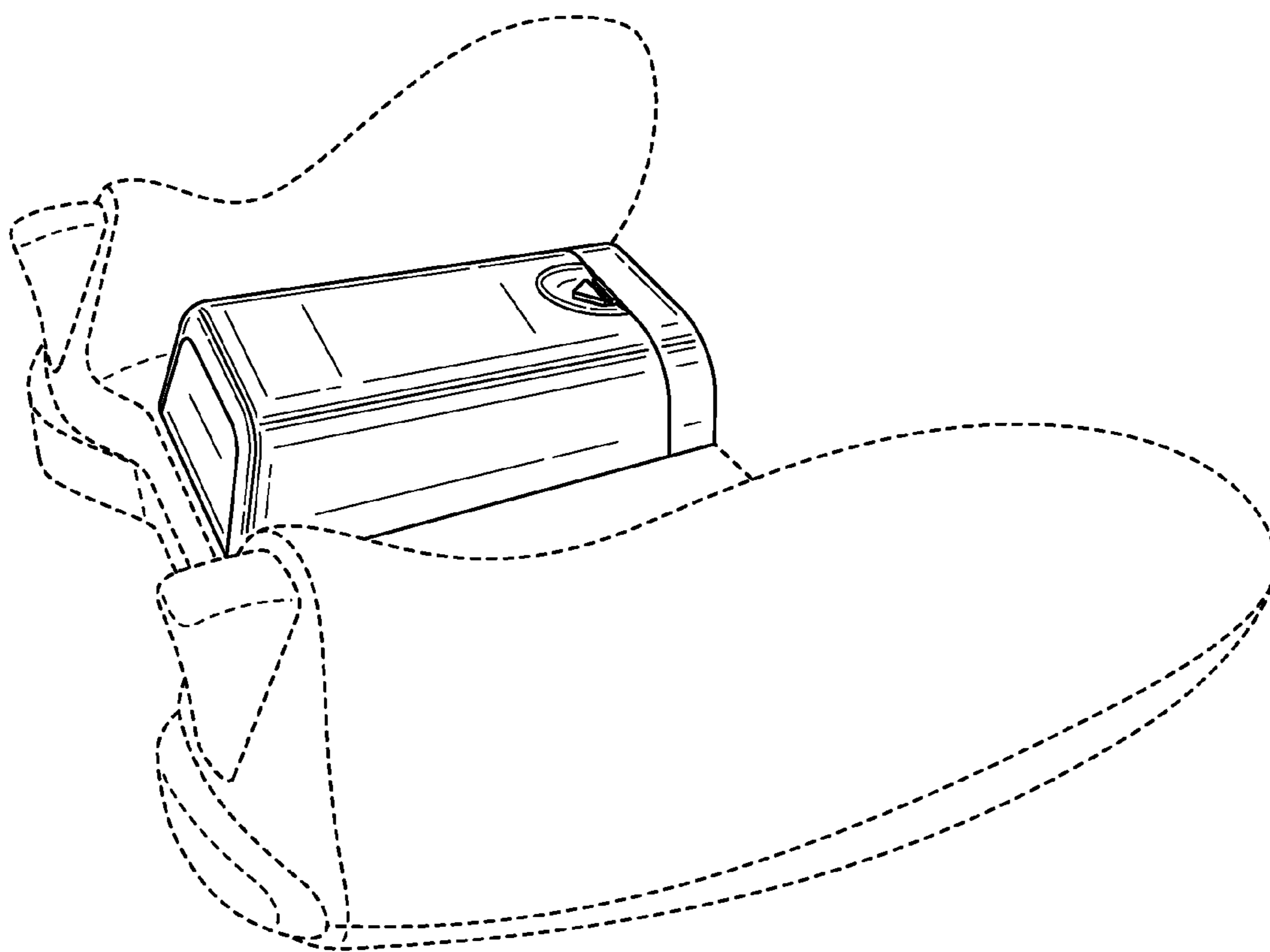


FIG. 1

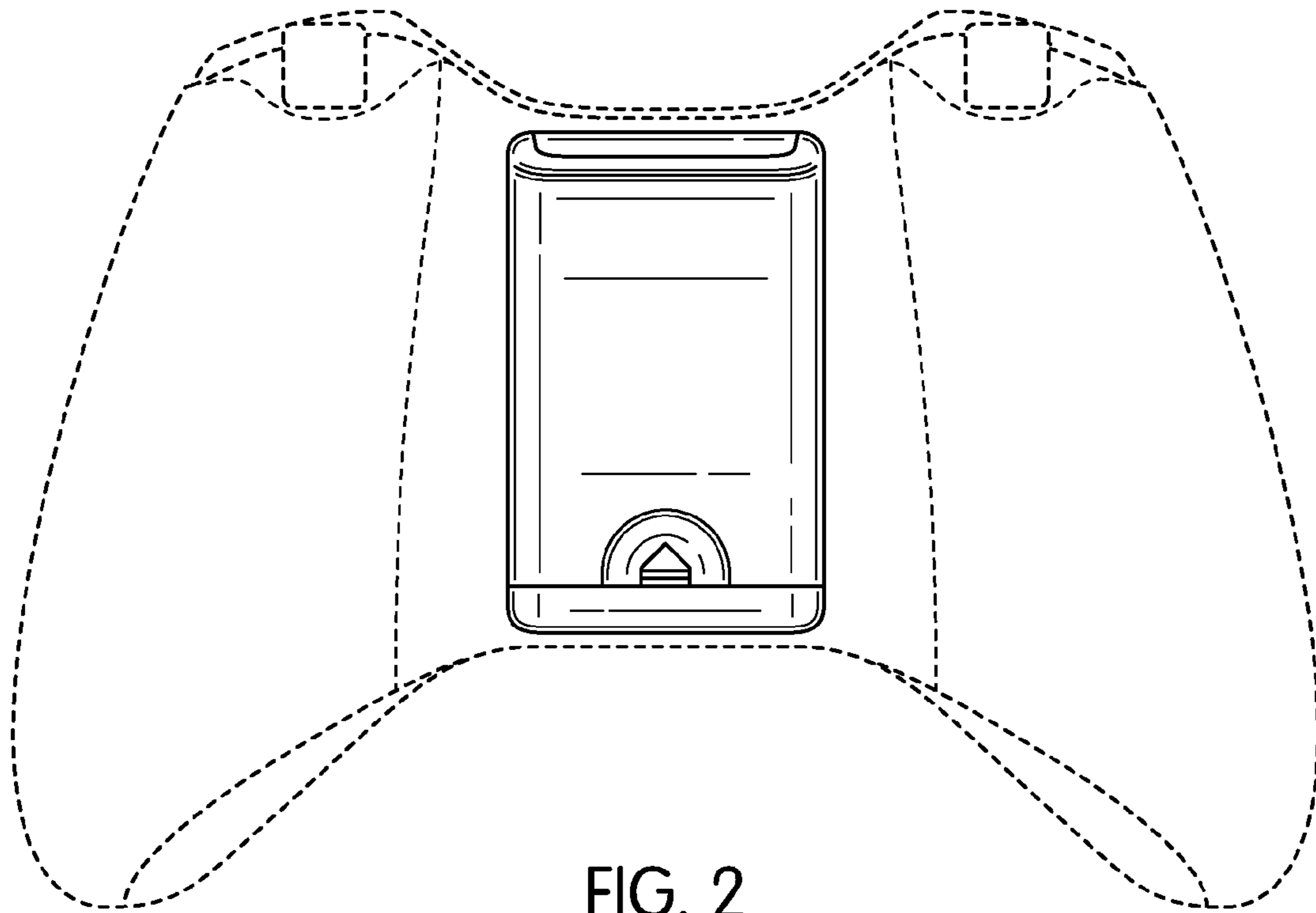


FIG. 2

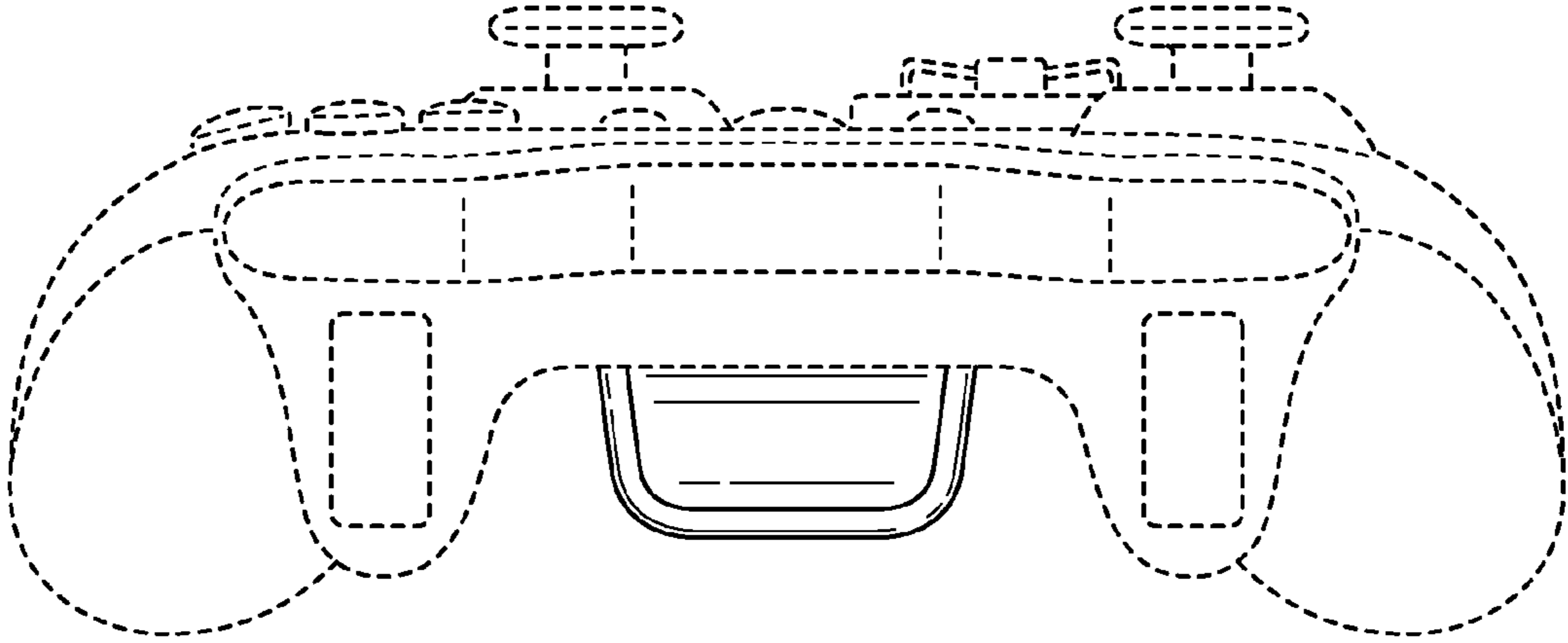


FIG. 3

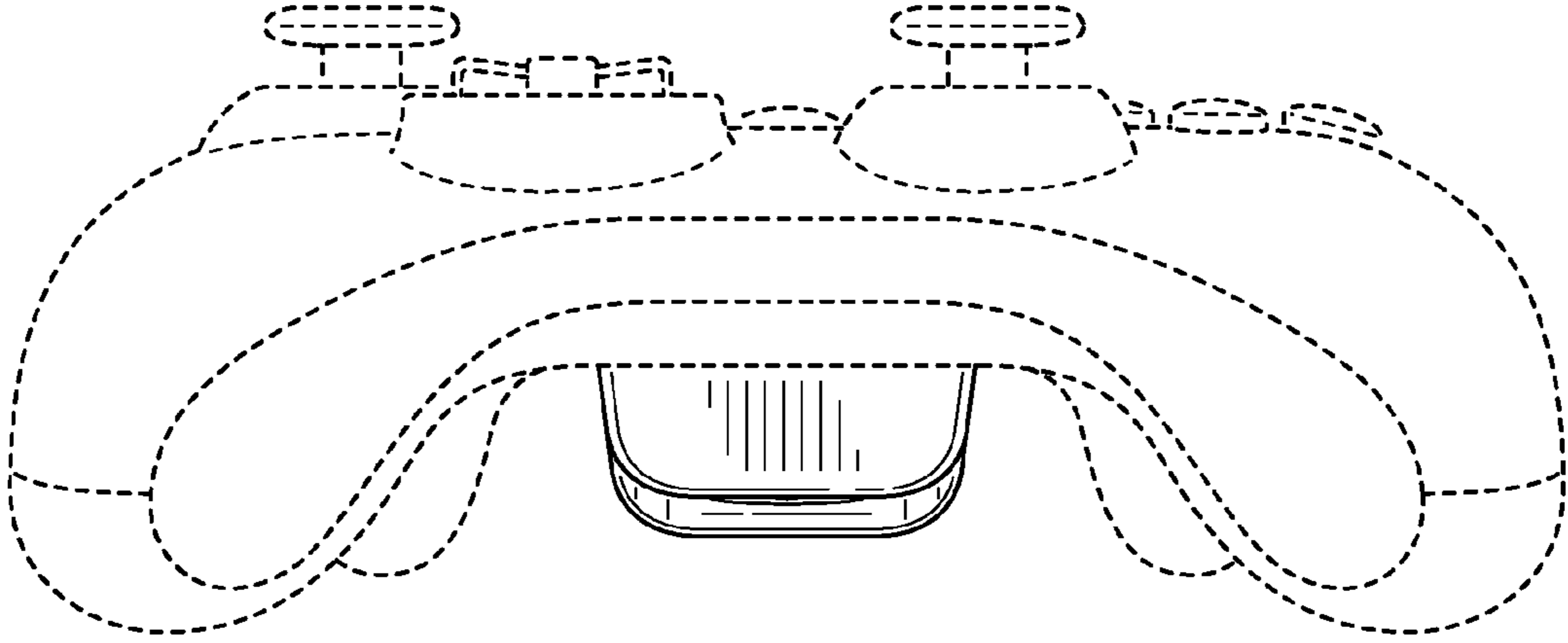


FIG. 4

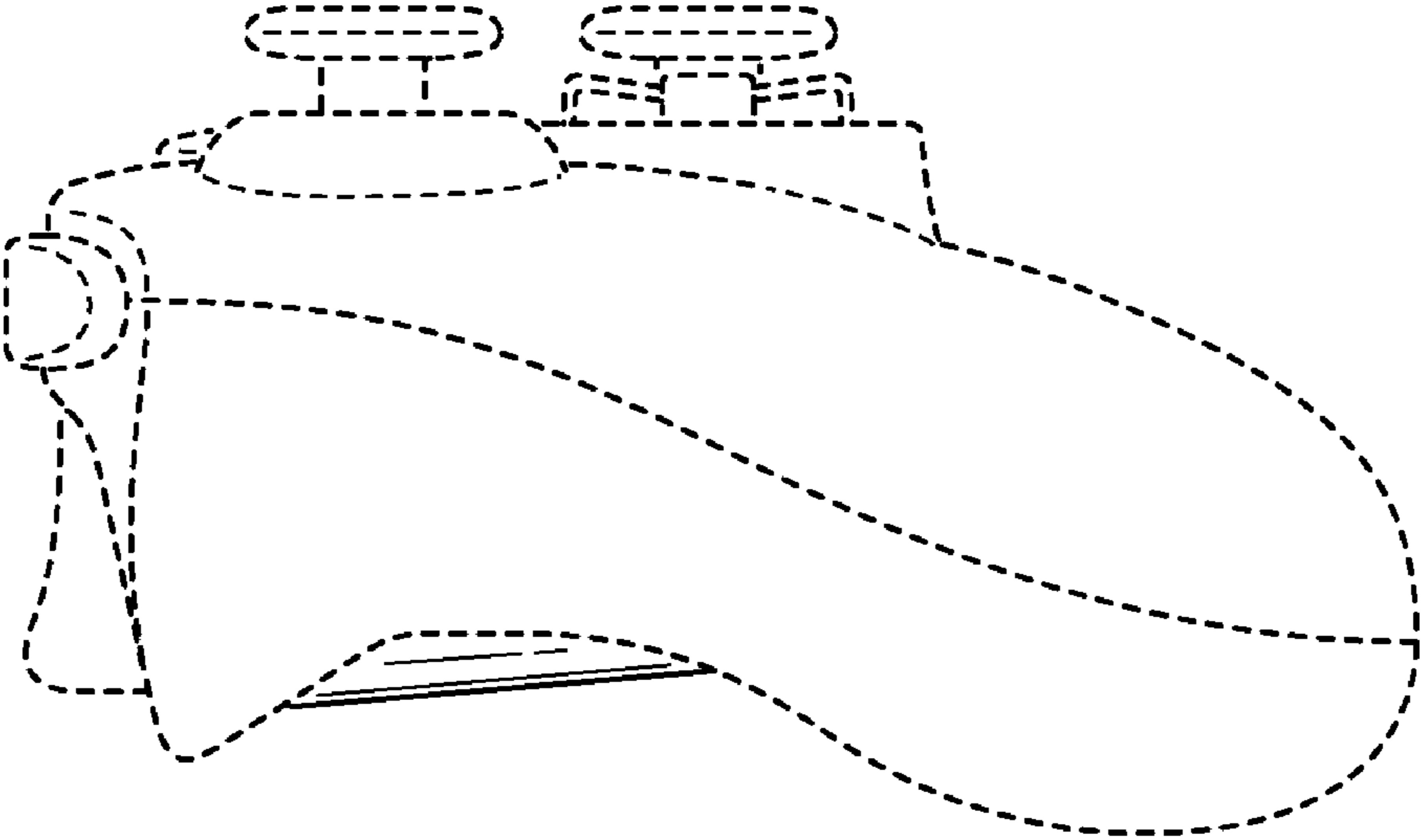


FIG. 5

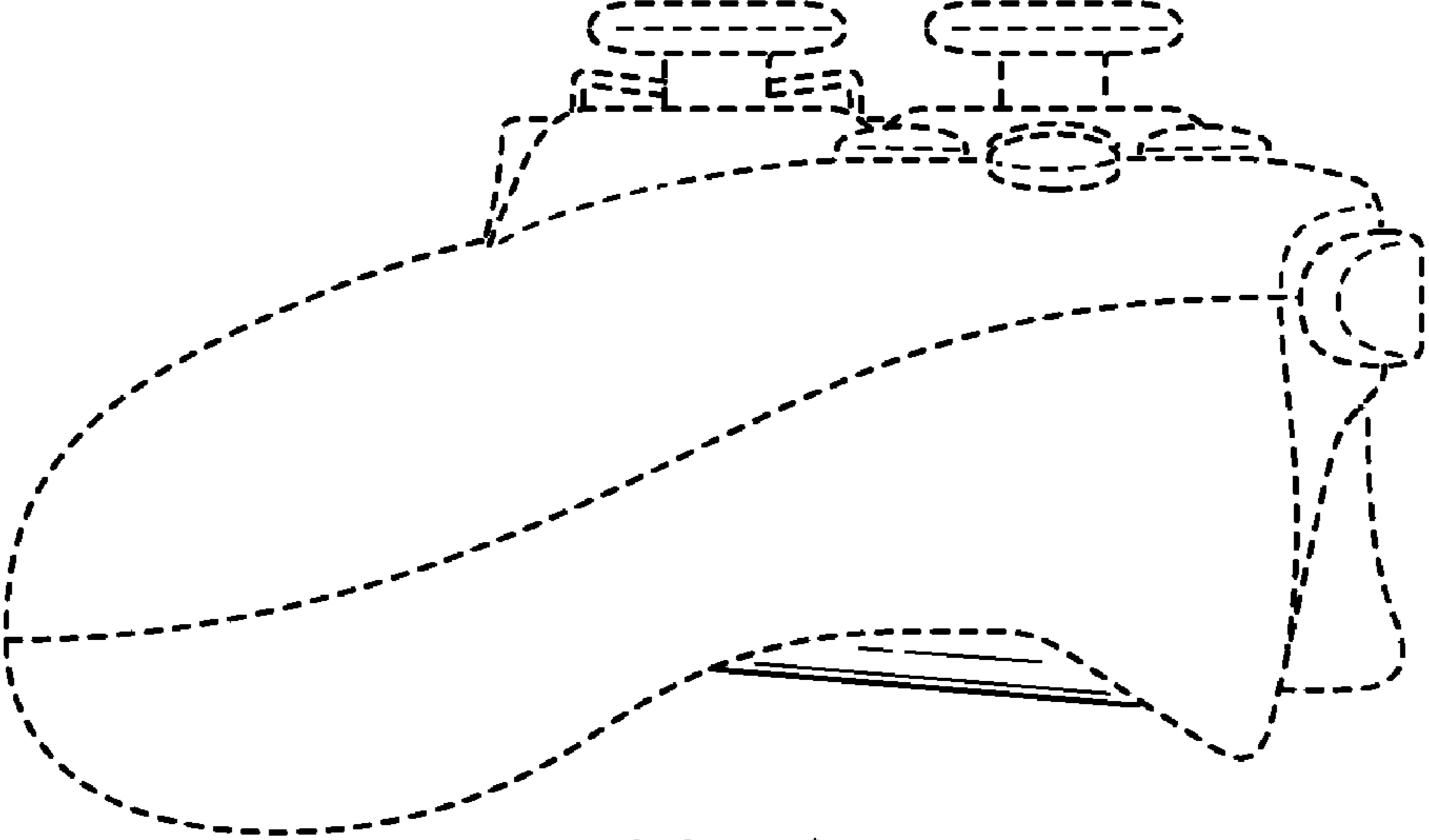


FIG. 6

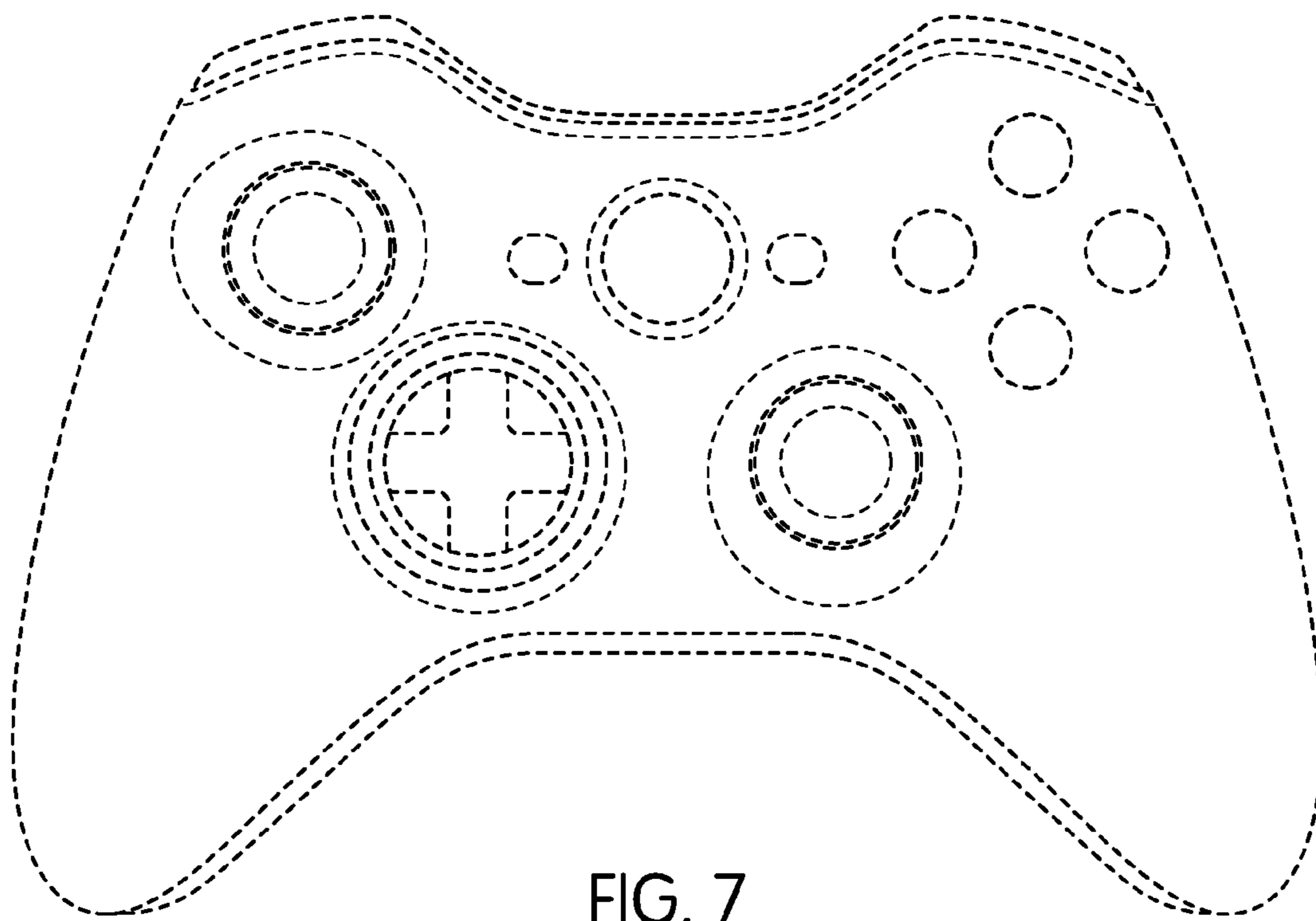


FIG. 7