



US00D637145S

(12) **United States Design Patent**  
**Lippert et al.**

(10) **Patent No.:** **US D637,145 S**

(45) **Date of Patent:** **\*\* May 3, 2011**

(54) **TIRE TREAD OF A VEHICLE TIRE**

(56) **References Cited**

(75) Inventors: **Frank Lippert**, Lehrte (DE); **Ralf Krieger**, Hanover (DE); **Bernd Zimmermann**, Lauenau (DE)

U.S. PATENT DOCUMENTS

D58,764 S \* 8/1921 Keith ..... D12/572  
D170,055 S \* 7/1953 Hawkinson ..... D12/589  
D619,529 S \* 7/2010 Georges et al. .... D12/590  
2009/0229719 A1 \* 9/2009 Simon et al. .... 152/209.1  
\* cited by examiner

(73) Assignee: **Continental Aktiengesellschaft**, Hanover (DE)

*Primary Examiner* — Caron Veynar  
*Assistant Examiner* — George D Kirschbaum  
(74) *Attorney, Agent, or Firm* — Laurence A. Greenberg; Werner H. Stemer; Ralph E. Locher

(\*\*) Term: **14 Years**

(21) Appl. No.: **29/338,500**

(57) **CLAIM**  
The ornamental design for a tire tread of a vehicle tire, as shown and described.

(22) Filed: **Jun. 12, 2009**

**DESCRIPTION**

(30) **Foreign Application Priority Data**

Dec. 17, 2008 (EM) ..... 001058846-0001

(51) **LOC (9) Cl.** ..... **12-15**

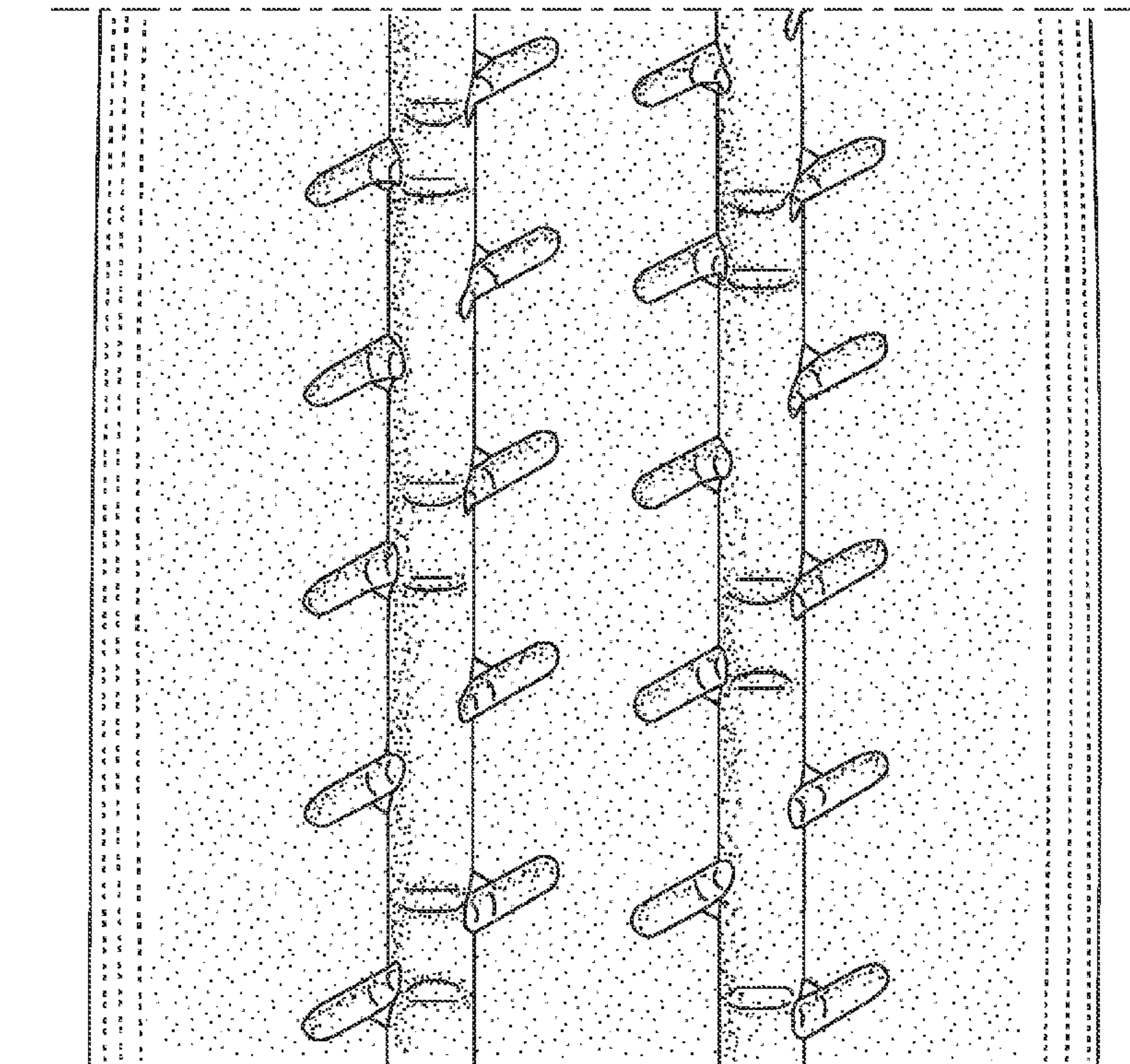
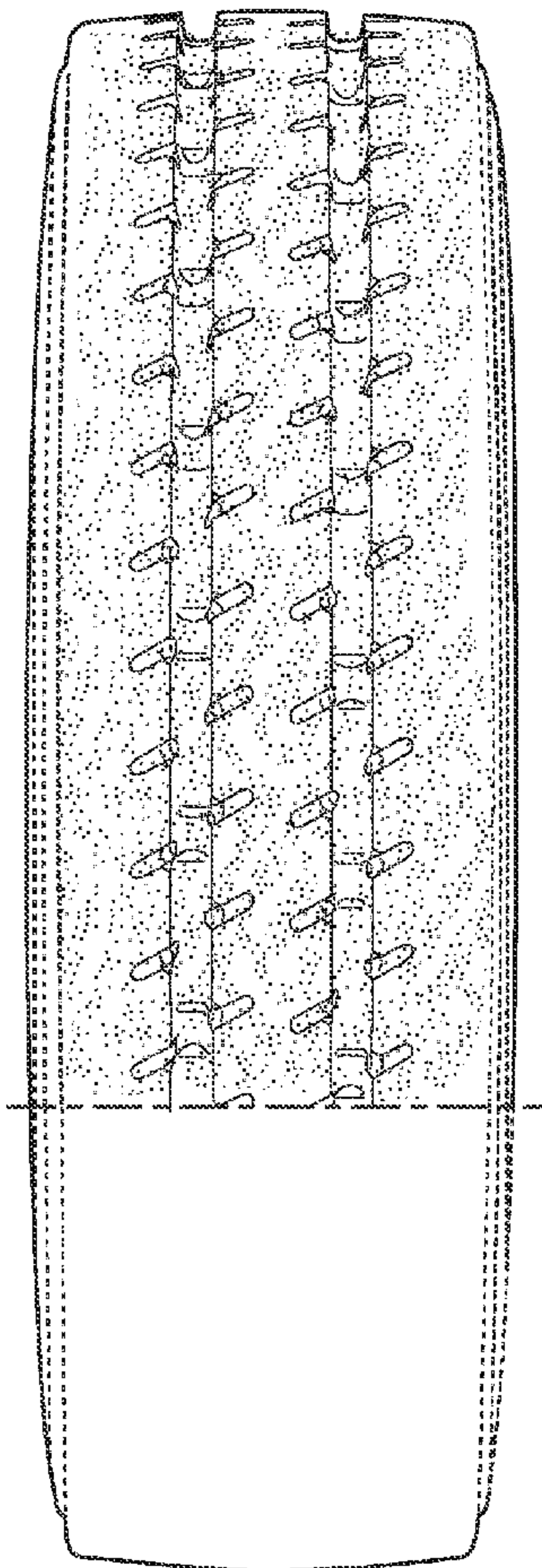
(52) **U.S. Cl.** ..... **D12/589**

(58) **Field of Classification Search** ..... D12/568-603;  
152/209.1, 201.8, 201.9, 201.12, 201.18,  
152/201.25

FIG. 1 is a perspective view of the tire tread of a vehicle tire, showing my new design; FIG. 2 is a side elevational view thereof; and, FIG. 3 is an enlarged partial front view thereof. The tire tread of a vehicle tire pattern is repeated uniformly around the circumference of the tire structure. The dash-dot lines showing the boundaries of the claim and the broken lines depicting environmental structure (the sidewall of the tire) do not form part of the claim.

See application file for complete search history.

**1 Claim, 3 Drawing Sheets**



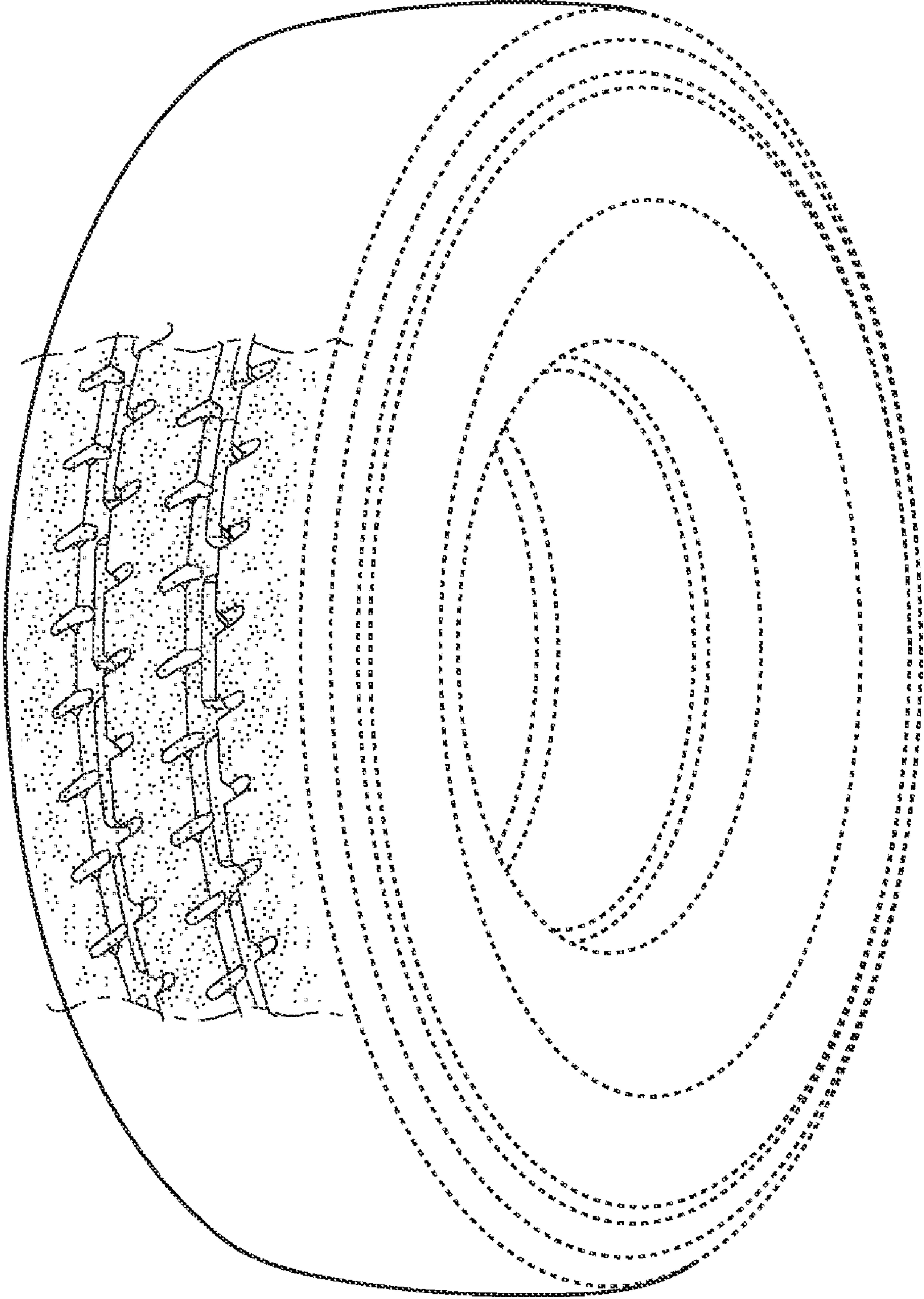


FIG. 1



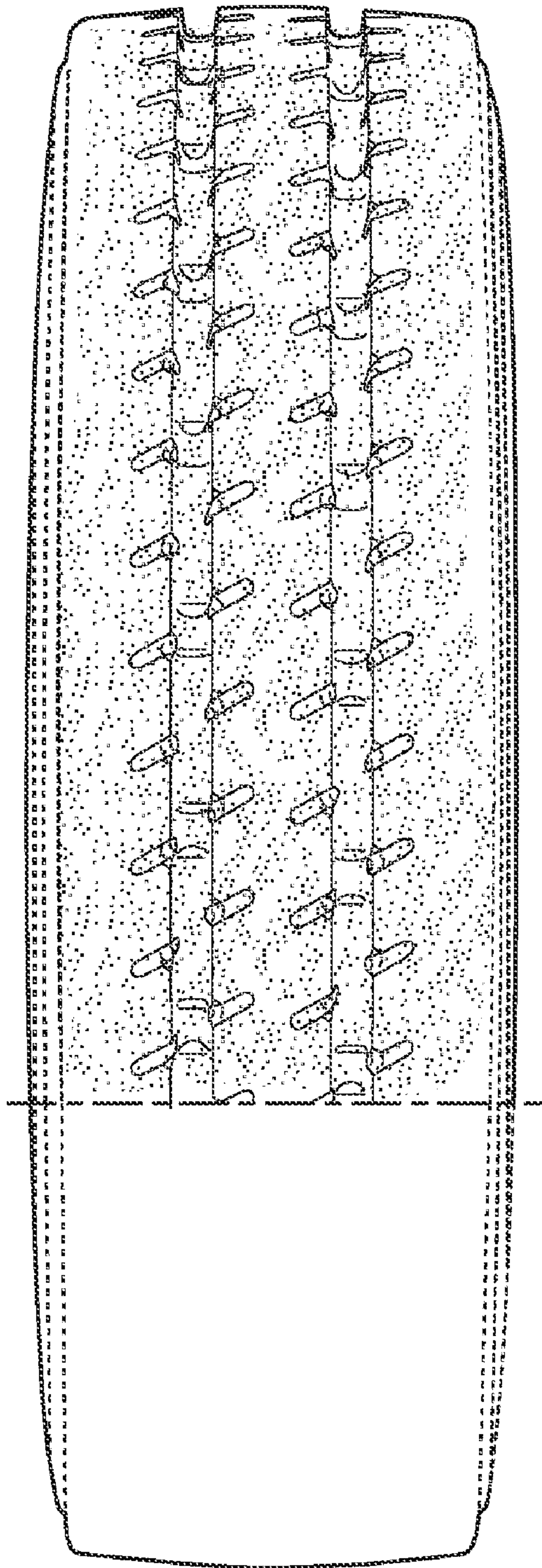


FIG. 2

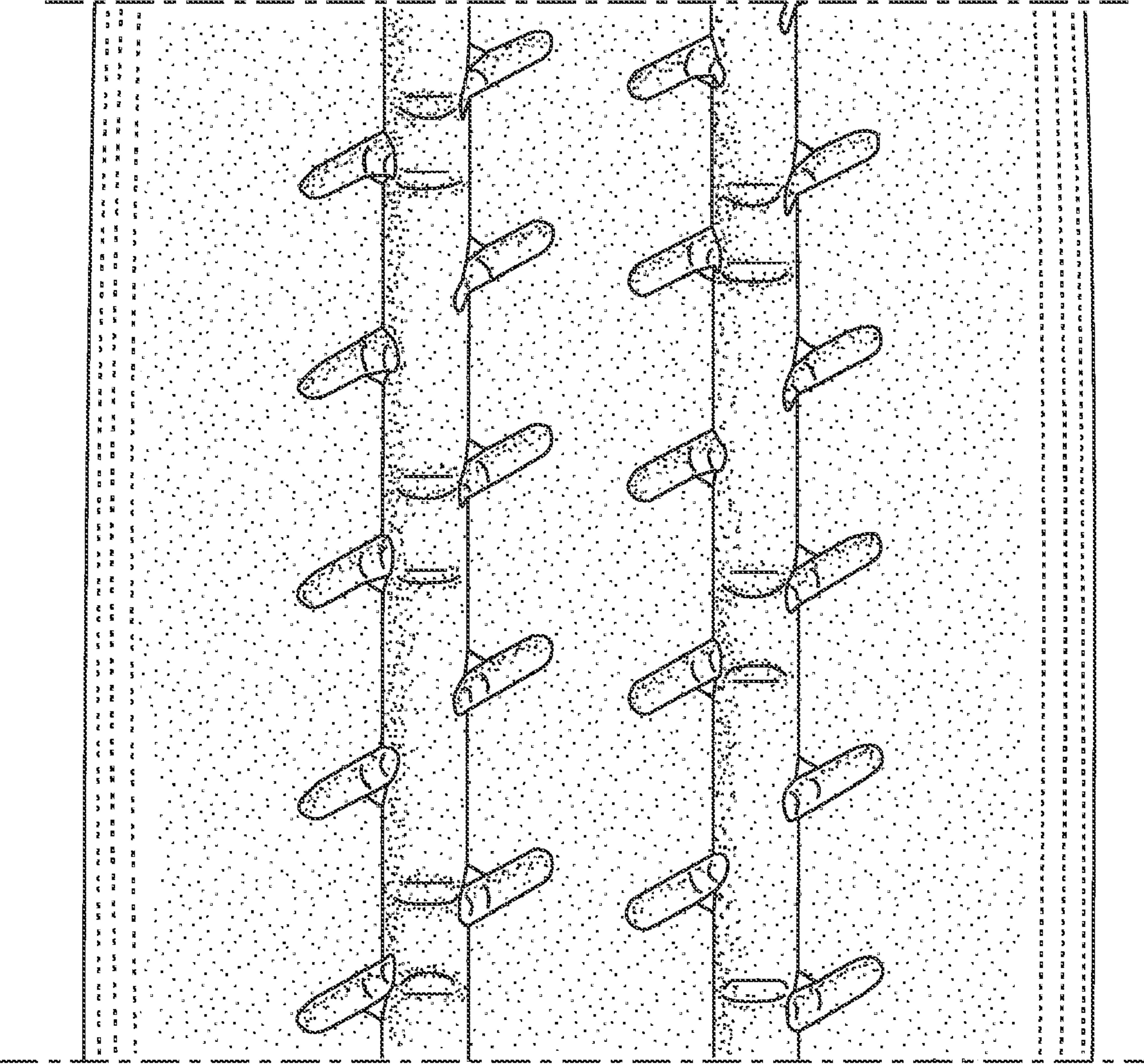


FIG. 3