



US00D637136S

(12) **United States Design Patent**
Mulanon

(10) **Patent No.:** **US D637,136 S**

(45) **Date of Patent:** **** *May 3, 2011**

(54) **BRACKET**

(75) **Inventor:** **Kasap Mulanon**, Bangkok (TH)

(73) **Assignee:** **Sammitr Green Power Co., Ltd.**,
Bangkok (TH)

(**) **Term:** **14 Years**

(21) **Appl. No.:** **29/349,621**

(22) **Filed:** **Apr. 16, 2010**

(51) **LOC (9) Cl.** **12-16**

(52) **U.S. Cl.** **D12/406**

(58) **Field of Classification Search** D12/413,
D12/414, 406, 412, 414.1; 206/213, 8, 9,
206/279, 290, 713, 335, 315.1-315.4; D32/35,
D32/38; D6/317-319, 513-514, 552; 293/37.1,
293/3, 100; 224/309-310, 315-316, 323-329,
224/400; D3/304-306; 280/760-762, 848,
280/727, 769; 296/99.1, 37.1, 100.01, 100.02,
296/157

See application file for complete search history.

(56) **References Cited**

U.S. PATENT DOCUMENTS

| | | | | |
|-----------|-----|---------|-----------------|---------|
| 4,298,151 | A * | 11/1981 | O'Connor | 224/329 |
| D302,262 | S * | 7/1989 | Dickerman | D12/412 |
| 4,954,030 | A * | 9/1990 | Szucs et al. | 410/96 |
| 4,997,116 | A * | 3/1991 | Grim | 224/493 |
| 5,282,555 | A * | 2/1994 | Muir et al. | 224/532 |
| 5,938,093 | A * | 8/1999 | Bloemer et al. | 224/553 |
| D447,997 | S * | 9/2001 | Ferman et al. | D12/408 |
| D540,157 | S * | 4/2007 | Nagle | D8/396 |
| D585,516 | S * | 1/2009 | Smith | D22/108 |
| D598,971 | S * | 8/2009 | Peterson et al. | D22/108 |
| D608,054 | S * | 1/2010 | Radfar | D28/73 |
| D618,987 | S * | 7/2010 | Ziaylek | D8/373 |
| D620,783 | S * | 8/2010 | Ziaylek | D8/373 |
| D622,578 | S * | 8/2010 | Kollman | D8/380 |

| | | | | |
|--------------|------|---------|----------------|----------|
| D625,132 | S * | 10/2010 | Schmidt et al. | D6/545 |
| D625,334 | S * | 10/2010 | Gouge | D15/4 |
| D626,213 | S * | 10/2010 | Shurtleff | D23/411 |
| 2008/0083857 | A1 * | 4/2008 | Kato | 248/149 |
| 2008/0164292 | A1 * | 7/2008 | Farney | 224/324 |
| 2009/0033117 | A1 * | 2/2009 | Carpenter | 296/37.1 |
| 2010/0301084 | A1 * | 12/2010 | Johnson et al. | 224/555 |

FOREIGN PATENT DOCUMENTS

| | | |
|----|------------|--------|
| TH | 0902000562 | 2/2009 |
| TH | 0902000563 | 2/2009 |
| TH | 0902001112 | 4/2009 |
| TH | 0902001113 | 4/2009 |

(Continued)

OTHER PUBLICATIONS

U.S. Appl. No. 29/349,220, filed on Mar. 16, 2010; first named inventor: Kasap Mulanon.

Primary Examiner — Caron Veynar

Assistant Examiner — Katrina A Kile

(74) *Attorney, Agent, or Firm* — Fross Zelnick Lehrman & Zissu, P.C.; Charles T. J. Weigell, Esq

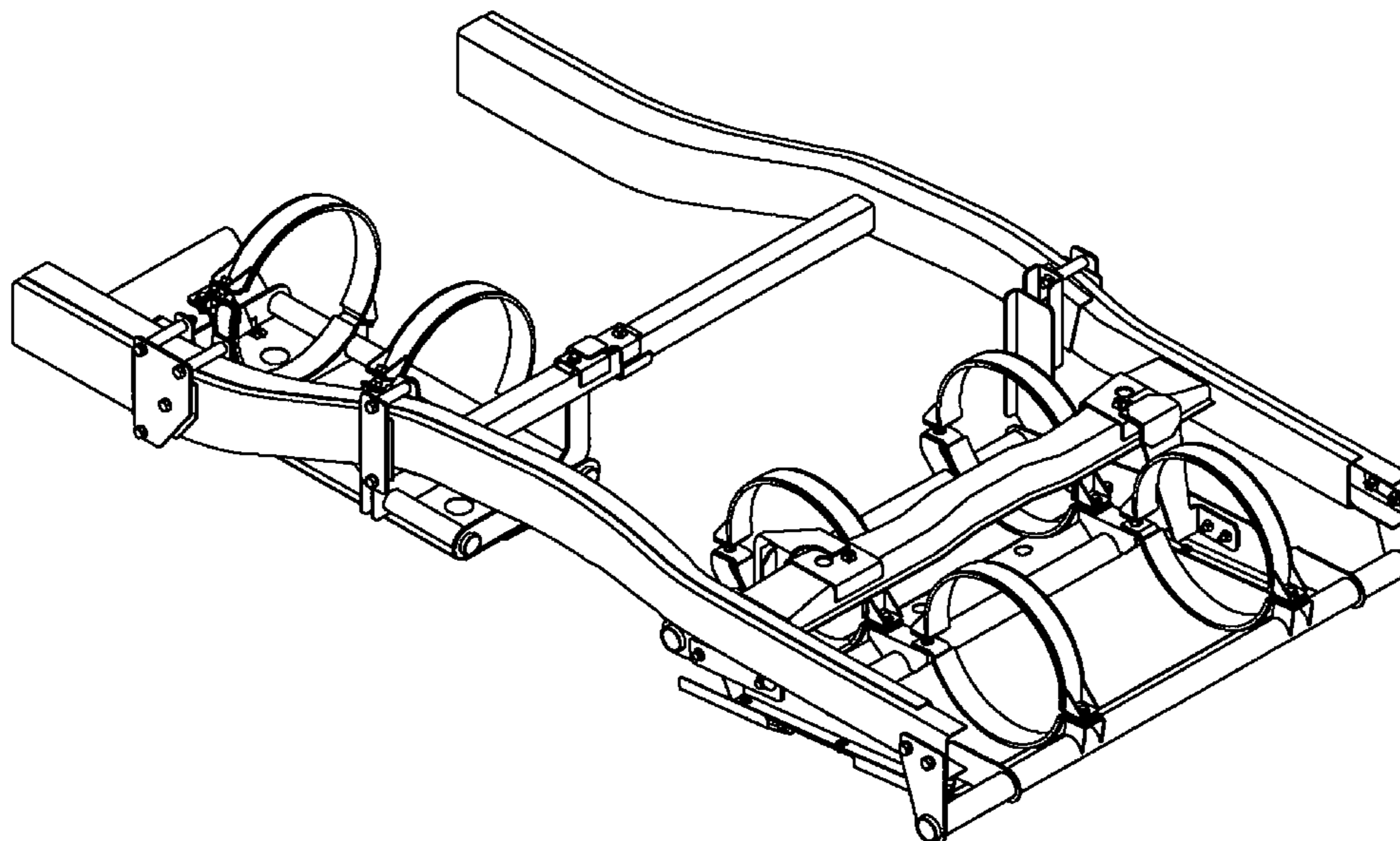
(57) **CLAIM**

The ornamental design for bracket, as shown and described.

DESCRIPTION

FIG. 1 is a front perspective view of a bracket showing my new design;
FIG. 2 is a front view of the bracket shown in FIG. 1;
FIG. 3 is a right side view of the bracket shown in FIG. 1;
FIG. 4 is a rear view of the bracket shown in FIG. 1;
FIG. 5 is a left side view of the bracket shown in FIG. 1;
FIG. 6 is a top view of the bracket shown in FIG. 1;
FIG. 7 is a bottom view of the bracket shown in FIG. 1; and,
FIG. 8 is a rear perspective view of the bracket shown in FIG. 1.

1 Claim, 8 Drawing Sheets



US D637,136 S

Page 2

| FOREIGN PATENT DOCUMENTS | | | | | |
|--------------------------|------------|--------|----|------------|---------|
| TH | 0902001114 | 4/2009 | TH | 0902001748 | 6/2009 |
| TH | 0902001456 | 5/2009 | TH | 0902002943 | 10/2009 |
| TH | 0902001457 | 5/2009 | TH | 0902003344 | 11/2009 |
| TH | 0902001747 | 6/2009 | | | |

* cited by examiner

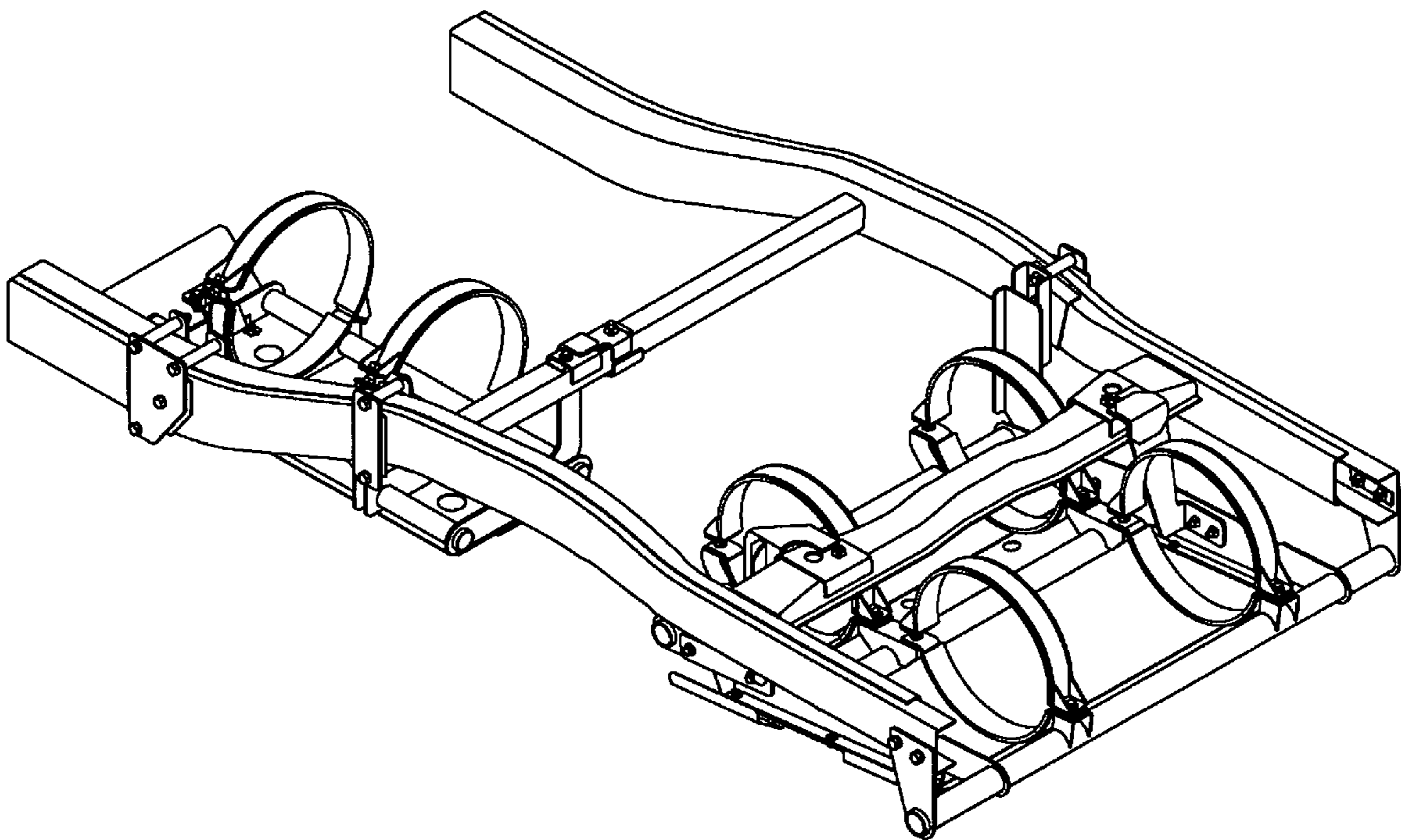


FIG. 1

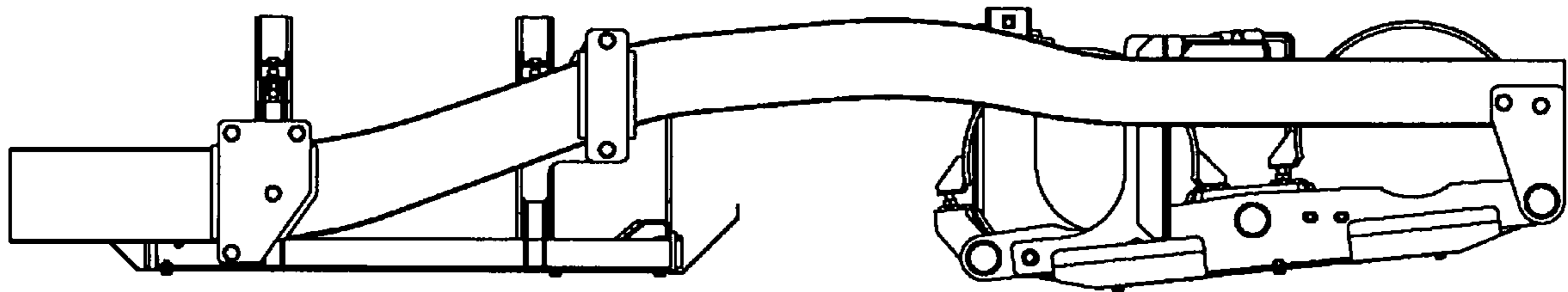


FIG. 2

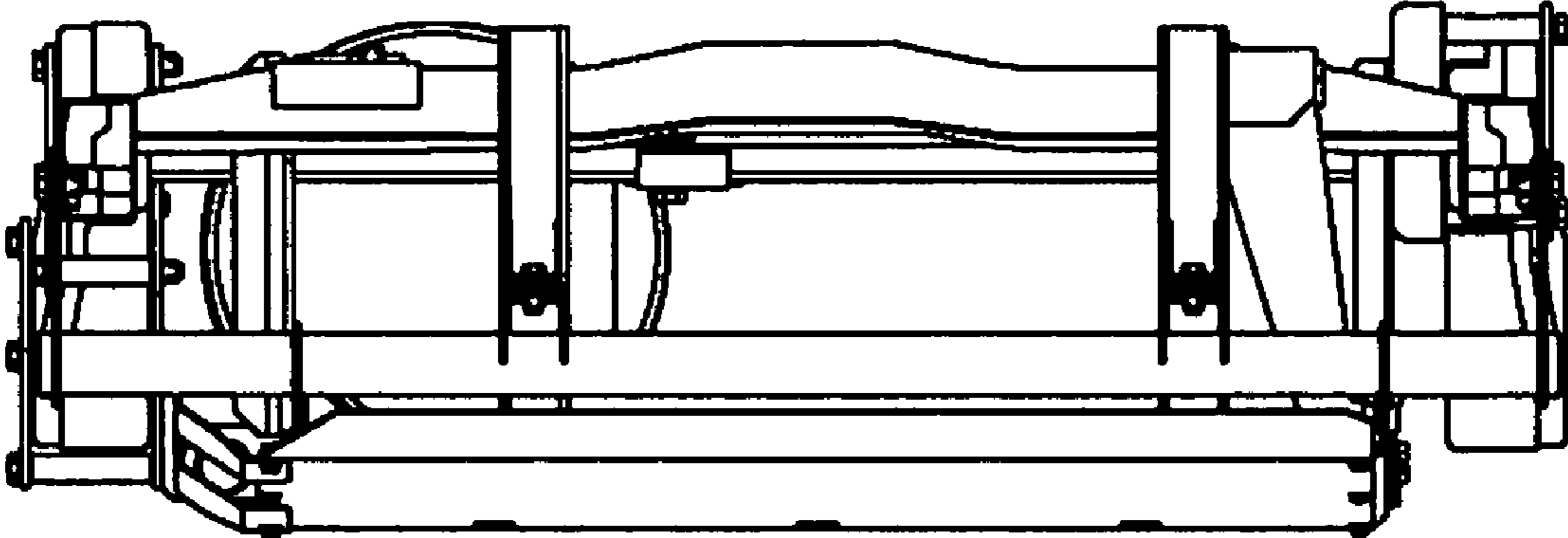


FIG. 3

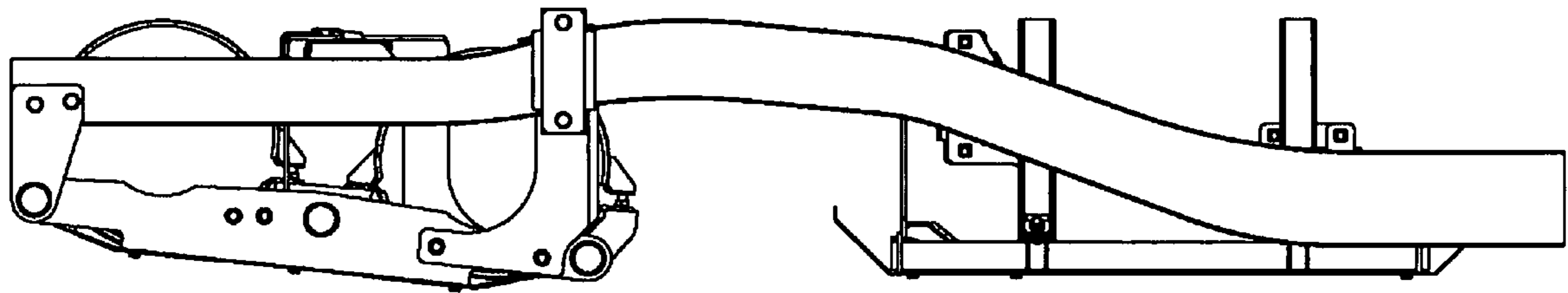


FIG. 4

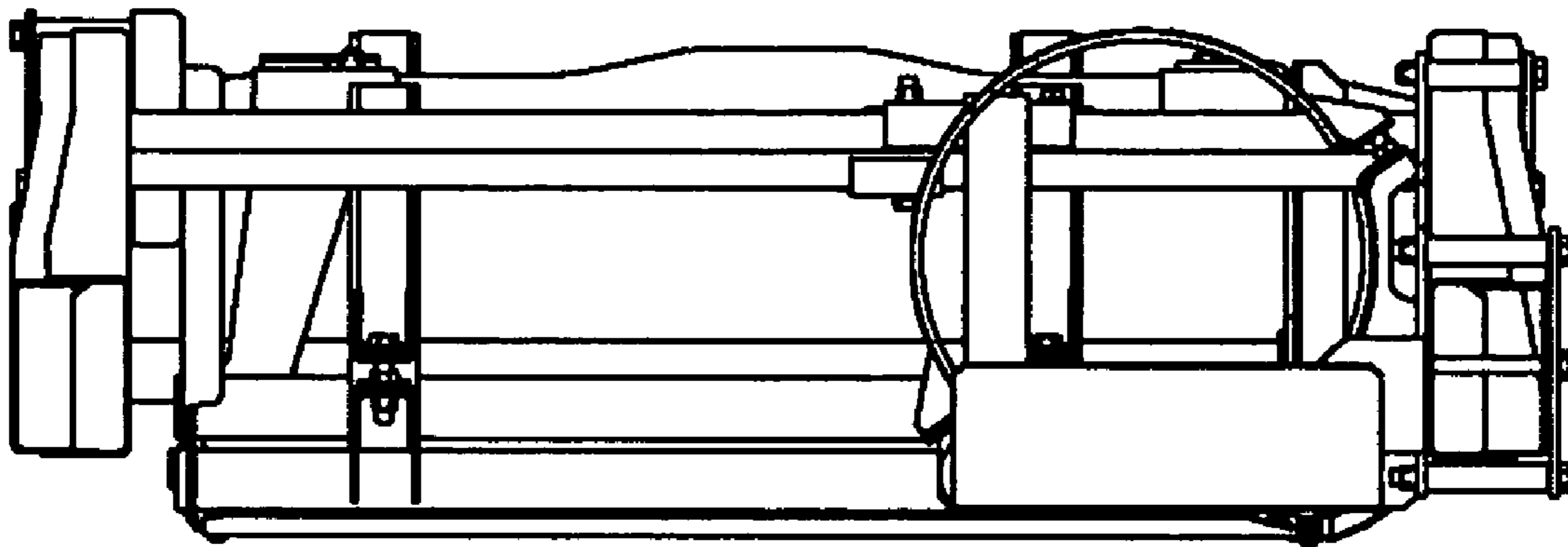


FIG. 5

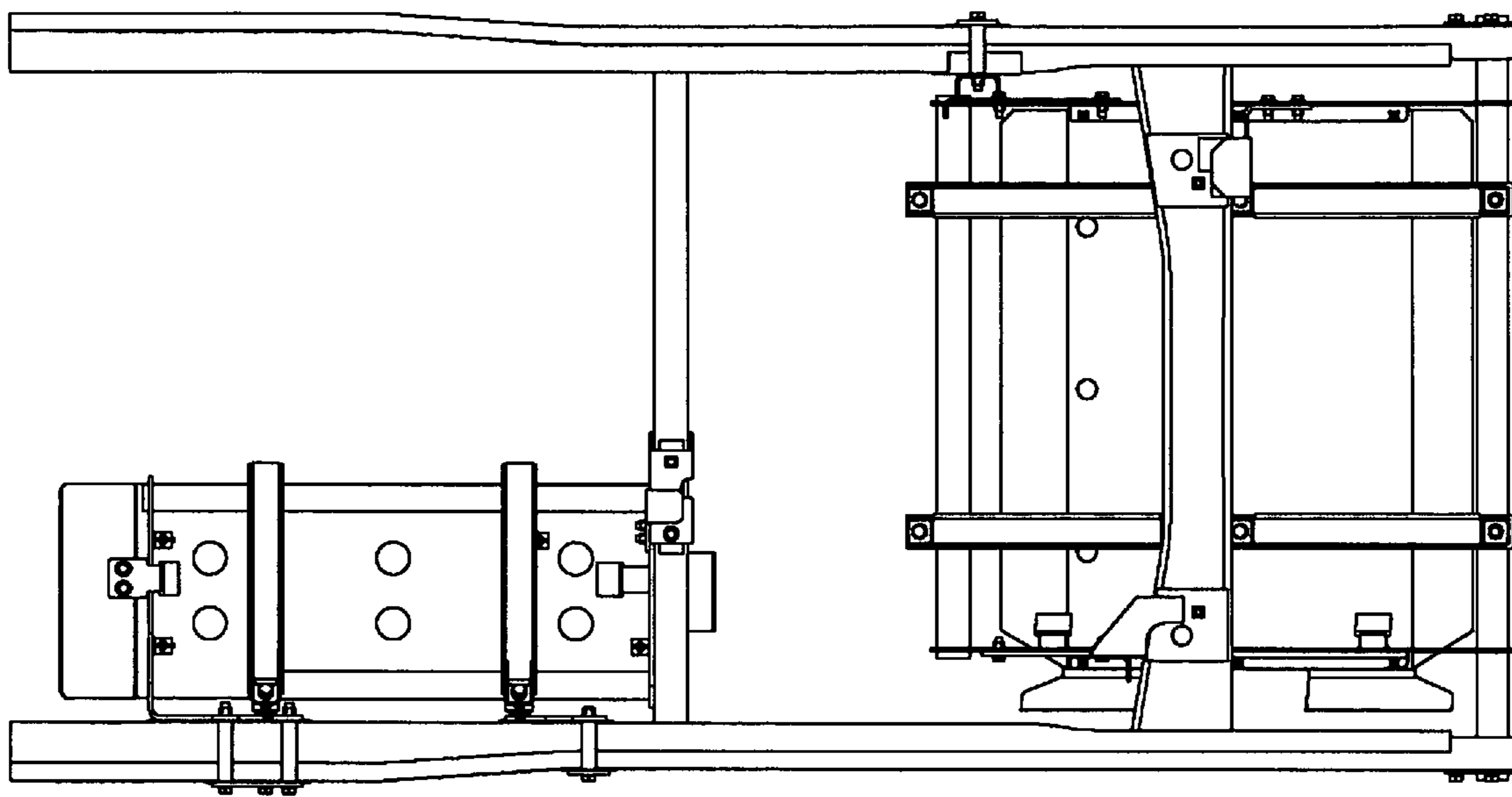


FIG. 6

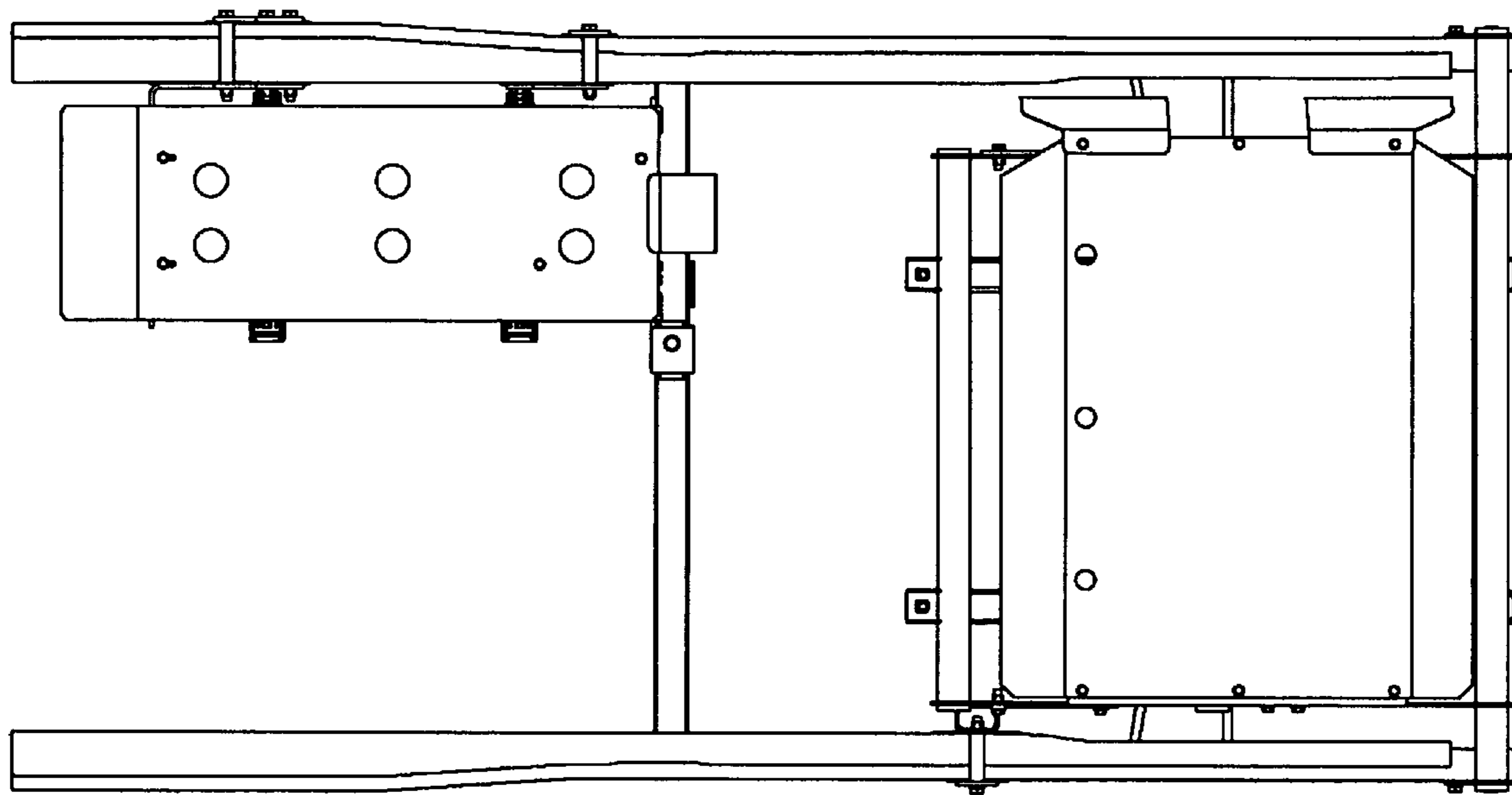


FIG. 7

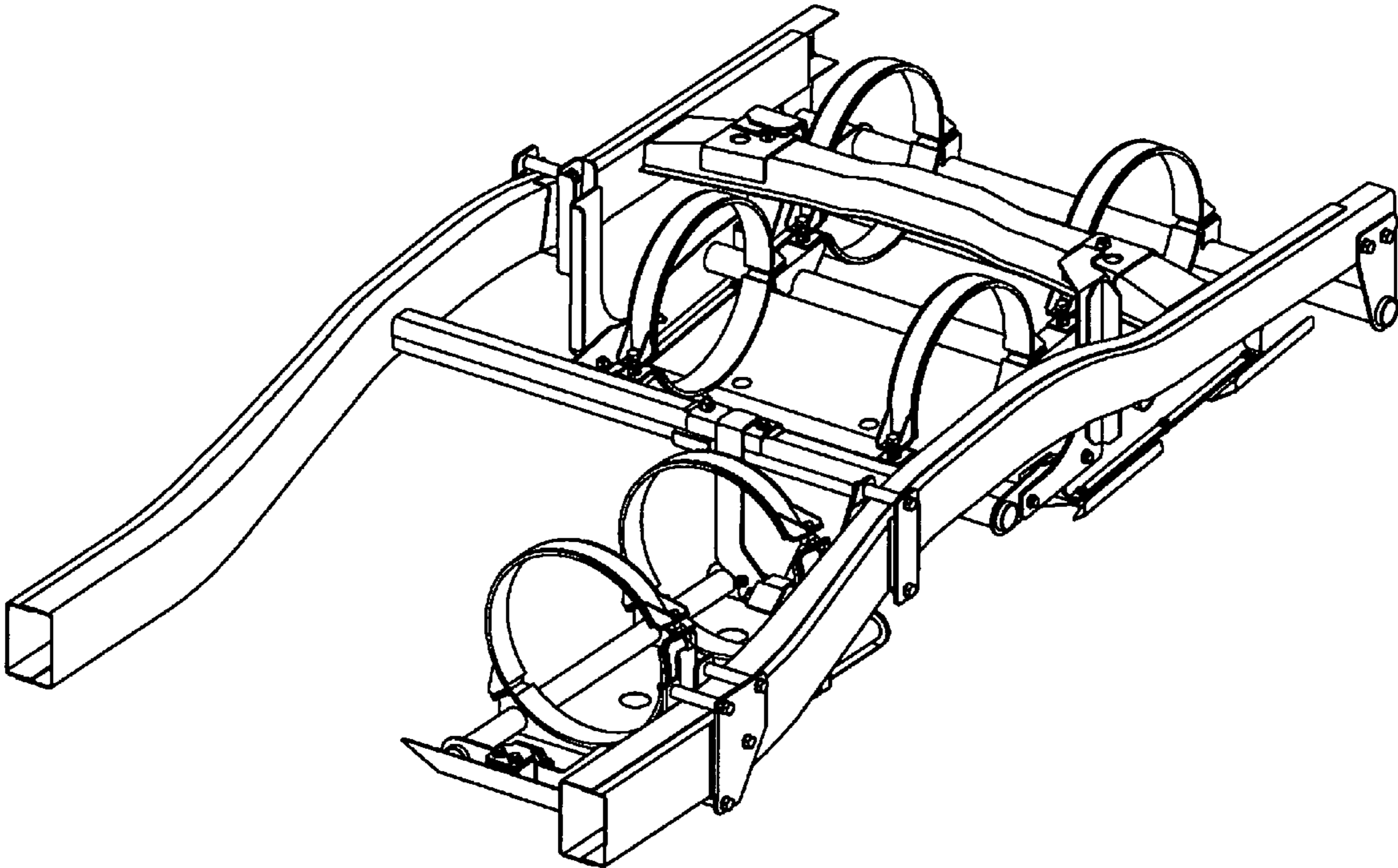


FIG. 8