



US00D637134S

(12) **United States Design Patent**  
**Kaiser**

(10) **Patent No.:** **US D637,134 S**

(45) **Date of Patent:** **\*\* May 3, 2011**

(54) **BOAT STORAGE CANOPY**

(76) Inventor: **Daniel J. Kaiser**, Bartlett, IL (US)

(\*\*) Term: **14 Years**

(21) Appl. No.: **29/362,689**

(22) Filed: **May 28, 2010**

(51) **LOC (9) Cl.** ..... **12-06**

(52) **U.S. Cl.** ..... **D12/318; D12/401; D21/837**

(58) **Field of Classification Search** ..... D12/300,  
D12/317, 318, 401, 403; D21/834, 837,  
D21/838, 839; D25/16, 56; 114/343, 345,  
114/348, 349, 351, 361, 364; 135/87, 90,  
135/95, 96, 114, 116, 117, 124, 125, 126,  
135/128, 143, 157; 296/136.01, 136.02,  
296/136.04, 136.07, 136.11, 136.12; 150/166  
See application file for complete search history.

D402,622 S \* 12/1998 Rogers ..... D12/401  
5,915,399 A \* 6/1999 Yang ..... 150/166  
D417,481 S \* 12/1999 Schwartz et al. .... D21/836  
6,129,034 A \* 10/2000 Santa Cruz et al. .... 114/361  
D468,256 S \* 1/2003 Wright ..... D12/401  
6,895,886 B1 \* 5/2005 Pawlowski et al. .... 114/361  
7,036,867 B1 \* 5/2006 Yang ..... 296/136.07  
7,270,075 B1 \* 9/2007 Jones ..... 114/361  
D560,590 S \* 1/2008 Cares ..... D12/317  
D562,755 S \* 2/2008 Cares ..... D12/317  
D577,092 S \* 9/2008 West ..... D21/837  
7,506,605 B2 \* 3/2009 Duffield ..... 114/361  
2010/0101476 A1 \* 4/2010 Duffield ..... 114/361

\* cited by examiner

*Primary Examiner* — Cynthia M Chin

(74) *Attorney, Agent, or Firm* — Ladas & Parry LLP; David C. Brezina

(57) **CLAIM**

The ornamental design for a boat storage canopy, as shown and described.

(56) **References Cited**

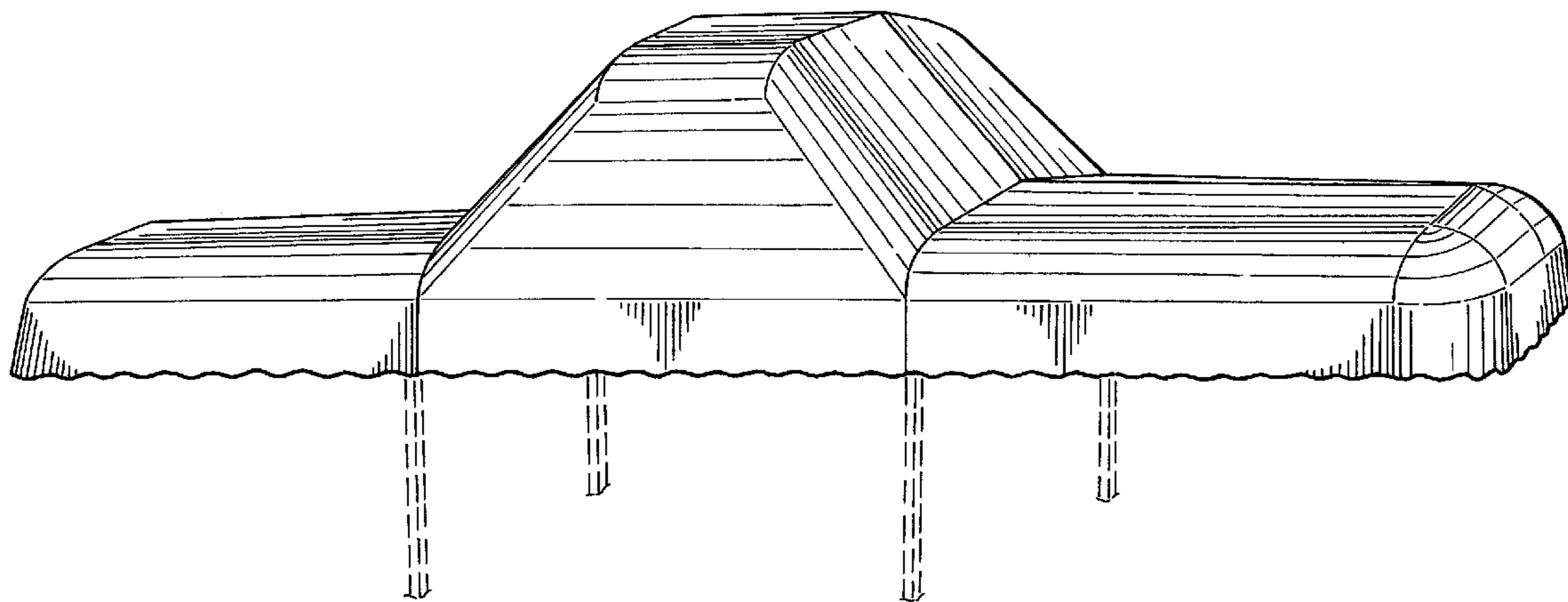
U.S. PATENT DOCUMENTS

3,030,973 A \* 4/1962 Janda et al. .... 135/129  
3,354,892 A \* 11/1967 Frieder ..... 114/361  
D272,333 S \* 1/1984 Potterbaum et al. .... D12/401  
D291,074 S \* 7/1987 Ravana ..... D12/403  
4,926,782 A \* 5/1990 Lacy ..... 114/361  
D375,078 S \* 10/1996 Cobb ..... D12/401  
D377,928 S \* 2/1997 Tillery ..... D12/401  
D379,081 S \* 5/1997 Wilson ..... D12/401  
D381,620 S \* 7/1997 Hunter ..... D12/401

**DESCRIPTION**

FIG. 1 is a perspective view of the boat storage canopy, which is the subject of the present design;  
FIG. 2 is a right side elevational view thereof, the left side elevational view being a mirror image thereof;  
FIG. 3 is a front elevational view thereof;  
FIG. 4 is a rear elevational view thereof; and,  
FIG. 5 is a top plan view thereof.

**1 Claim, 2 Drawing Sheets**



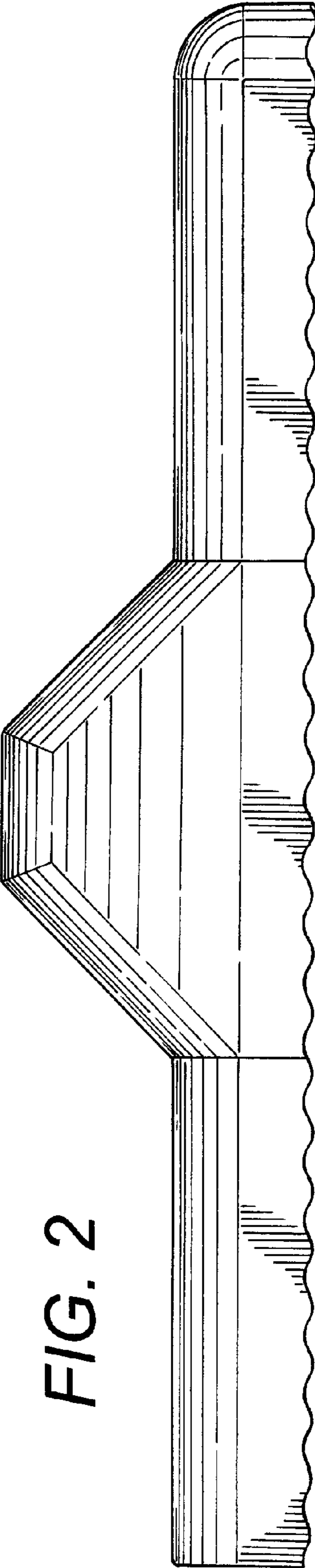
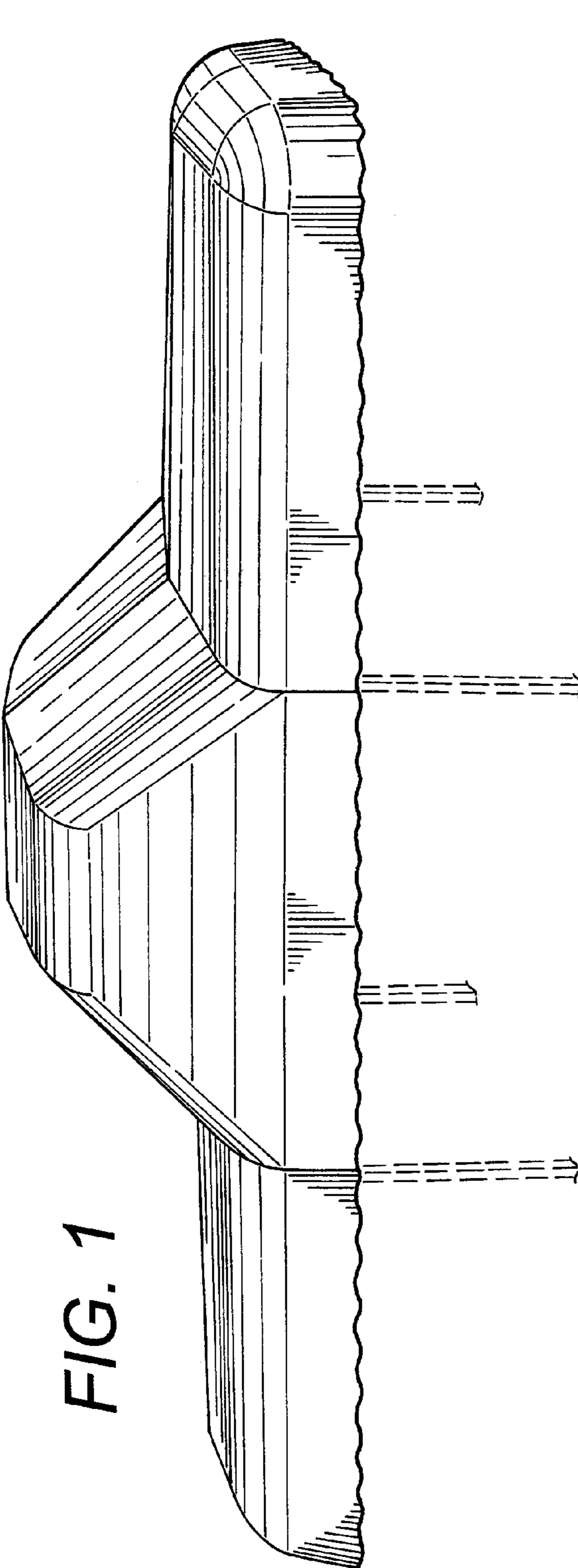


FIG. 3

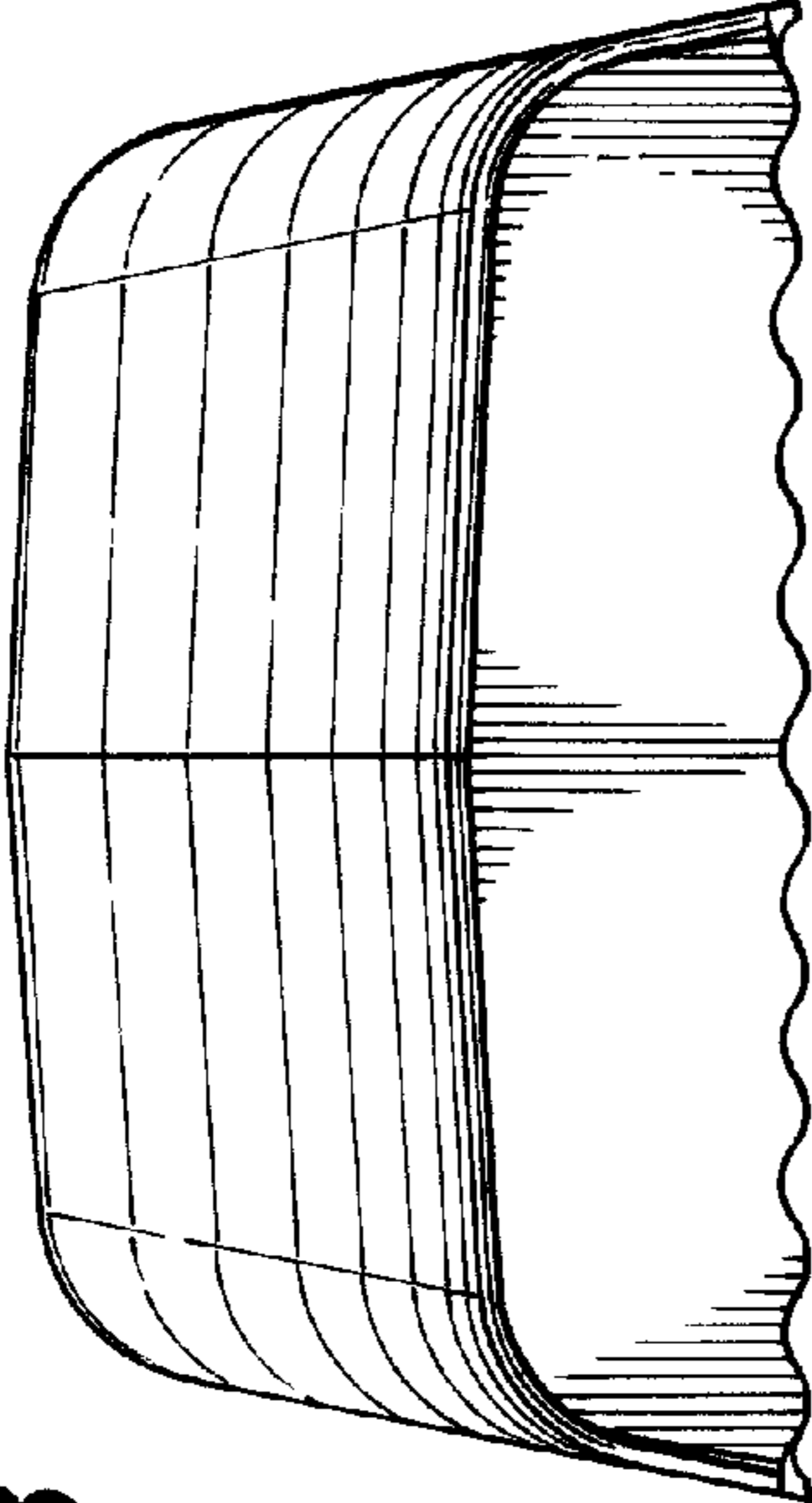


FIG. 4

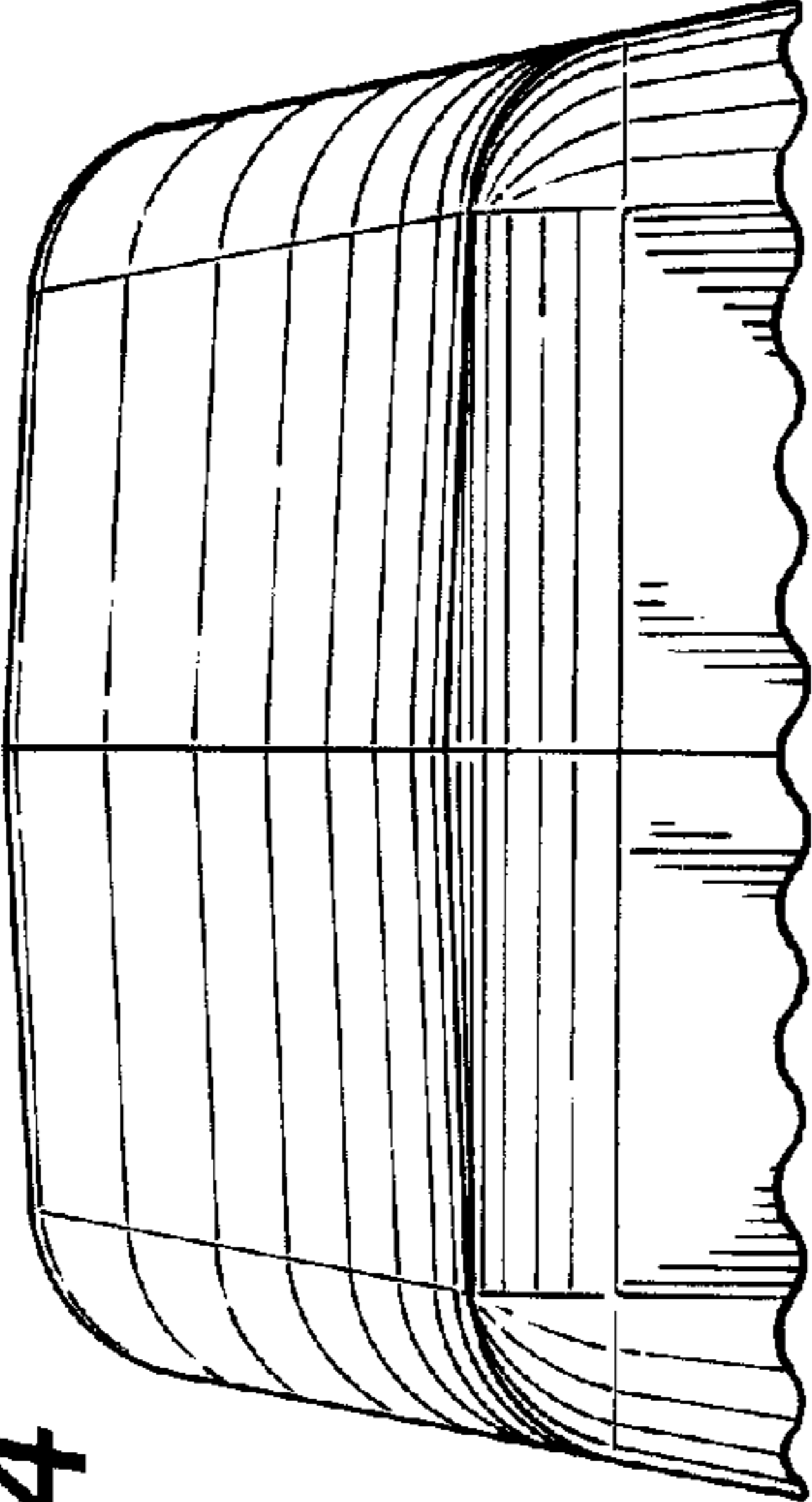


FIG. 5

