



US00D637131S

(12) **United States Design Patent**
Kim

(10) **Patent No.:** **US D637,131 S**

(45) **Date of Patent:** **** May 3, 2011**

(54) **WIPER FOR AUTOMOBILES**

(75) Inventor: **In-Kyu Kim**, Ansan-si (KR)

(73) Assignees: **ADM21 Co., Ltd.**, Gyeonggi-do (KR);
In-Kyu Kim, Gyeonggi-do (KR)

(**) Term: **14 Years**

(21) Appl. No.: **29/368,370**

(22) Filed: **Aug. 23, 2010**

(30) **Foreign Application Priority Data**

May 31, 2010 (KR) 30-2010-0023909

(51) **LOC (9) Cl.** **12-06**

(52) **U.S. Cl.** **D12/219**

(58) **Field of Classification Search** D12/219-220;
15/246, 247, 250.001, 250.4, 250.361, 250.19,
15/250.03, 250.31-250.33, 250.351, 250.38,
15/250.201, 250.451, 250.458, 250.04, 250.07,
15/250.44

See application file for complete search history.

(56) **References Cited**

U.S. PATENT DOCUMENTS

4,422,207 A * 12/1983 Maiocco et al. 15/250.46
4,561,143 A * 12/1985 Beneteau 15/250.201
4,570,284 A * 2/1986 Verton 15/250.201

D296,317 S * 6/1988 Mower et al. 446/320
D593,023 S * 5/2009 Kim D12/219
D593,480 S * 6/2009 Kim D12/219
D594,805 S * 6/2009 Kim D12/219
D594,806 S * 6/2009 Kim D12/219
D596,104 S * 7/2009 Kim D12/219
D598,359 S * 8/2009 Kim D12/219
D615,473 S * 5/2010 Kim D12/219
2007/0199174 A1 * 8/2007 Op't Roodt 15/250.32
2008/0047090 A1 * 2/2008 Ku 15/250.32

* cited by examiner

Primary Examiner — Caron Veynar

Assistant Examiner — Katrina A Kile

(74) *Attorney, Agent, or Firm* — Sughrue Mion, PLLC

(57) **CLAIM**

The ornamental design for wiper for automobiles, as shown.

DESCRIPTION

FIG. 1 is a perspective view of wiper for automobiles showing my new design;
FIG. 2 is a front view thereof;
FIG. 3 is a rear view thereof;
FIG. 4 is an enlarged left side view thereof;
FIG. 5 is an enlarged right side view thereof;
FIG. 6 is a top plan view thereof;
FIG. 7 is a bottom plan view thereof; and,
FIG. 8 is an enlarged fragmentary view of the encircled portion labeled as "8" in FIG. 1.

1 Claim, 6 Drawing Sheets

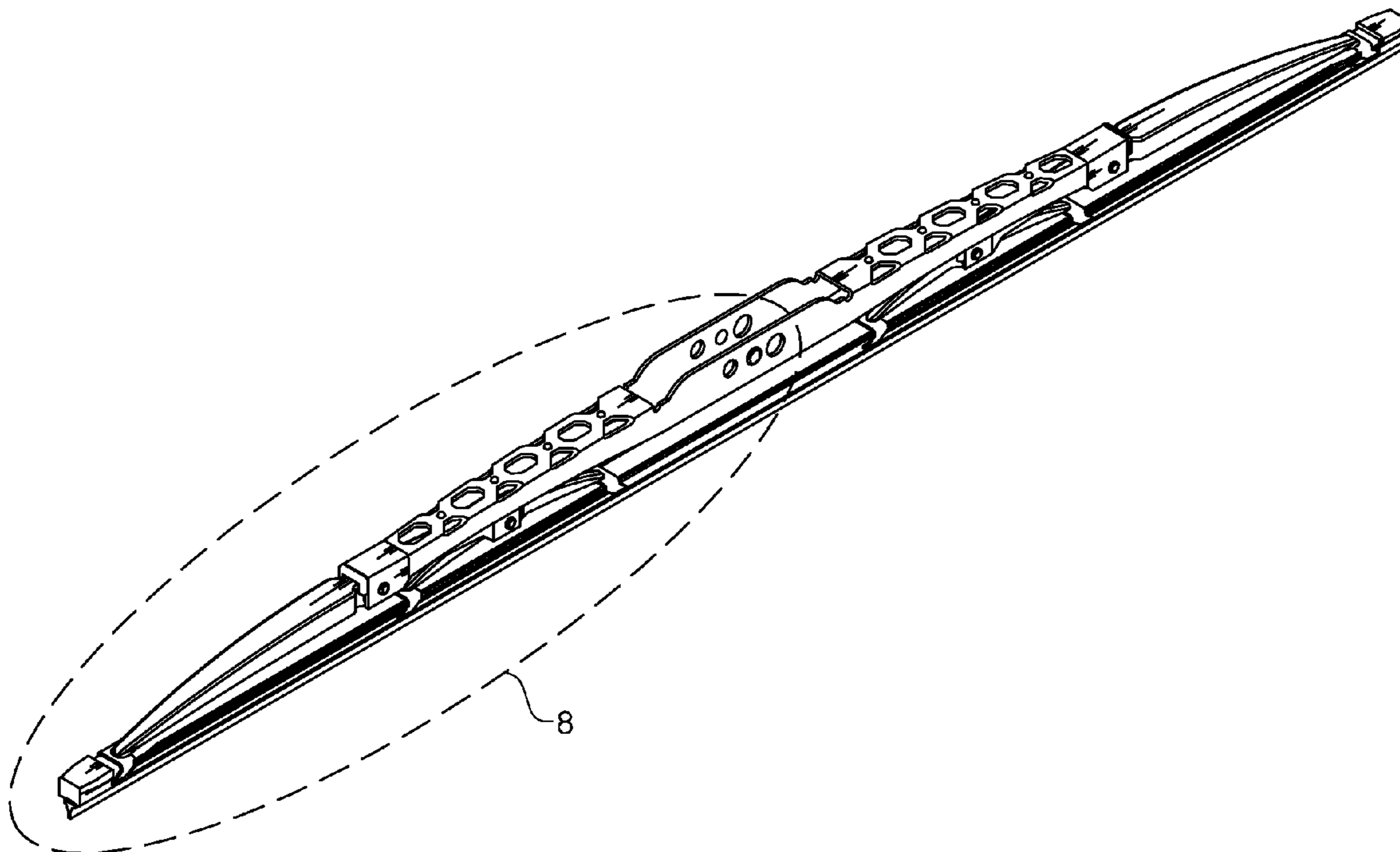
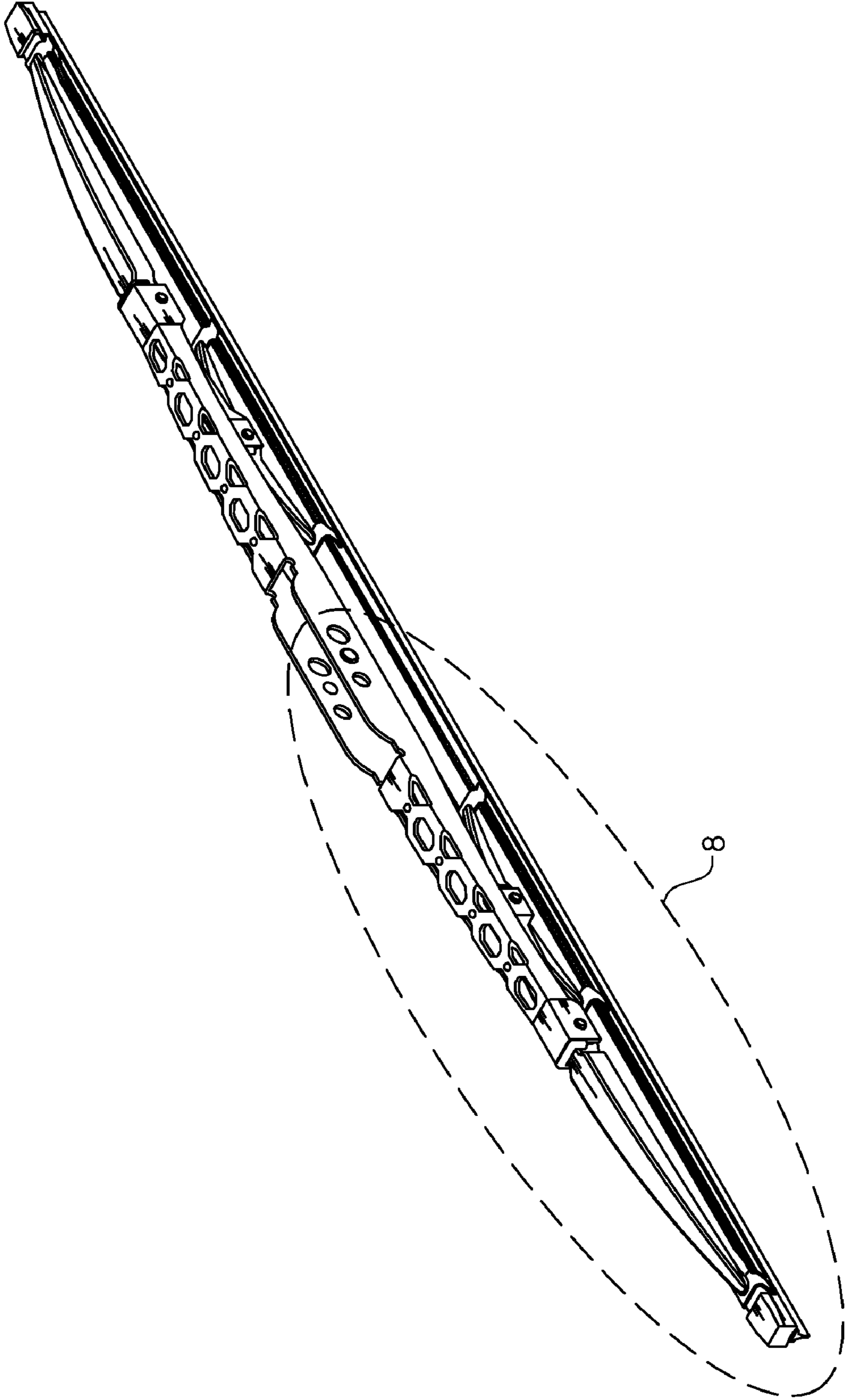


FIG. 1



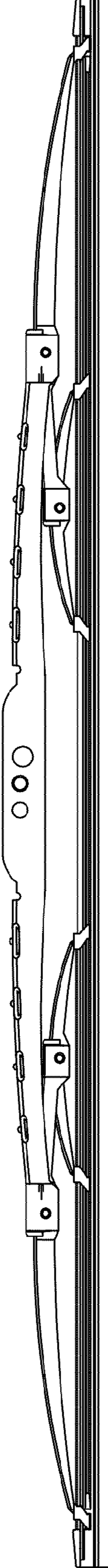


FIG 2

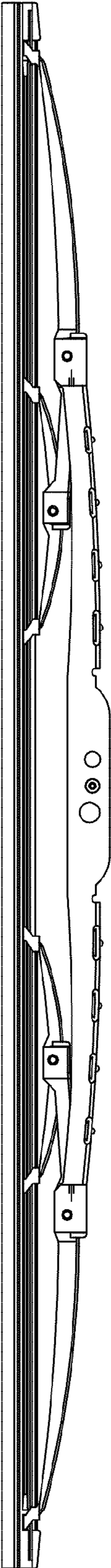


FIG 3

FIG 4

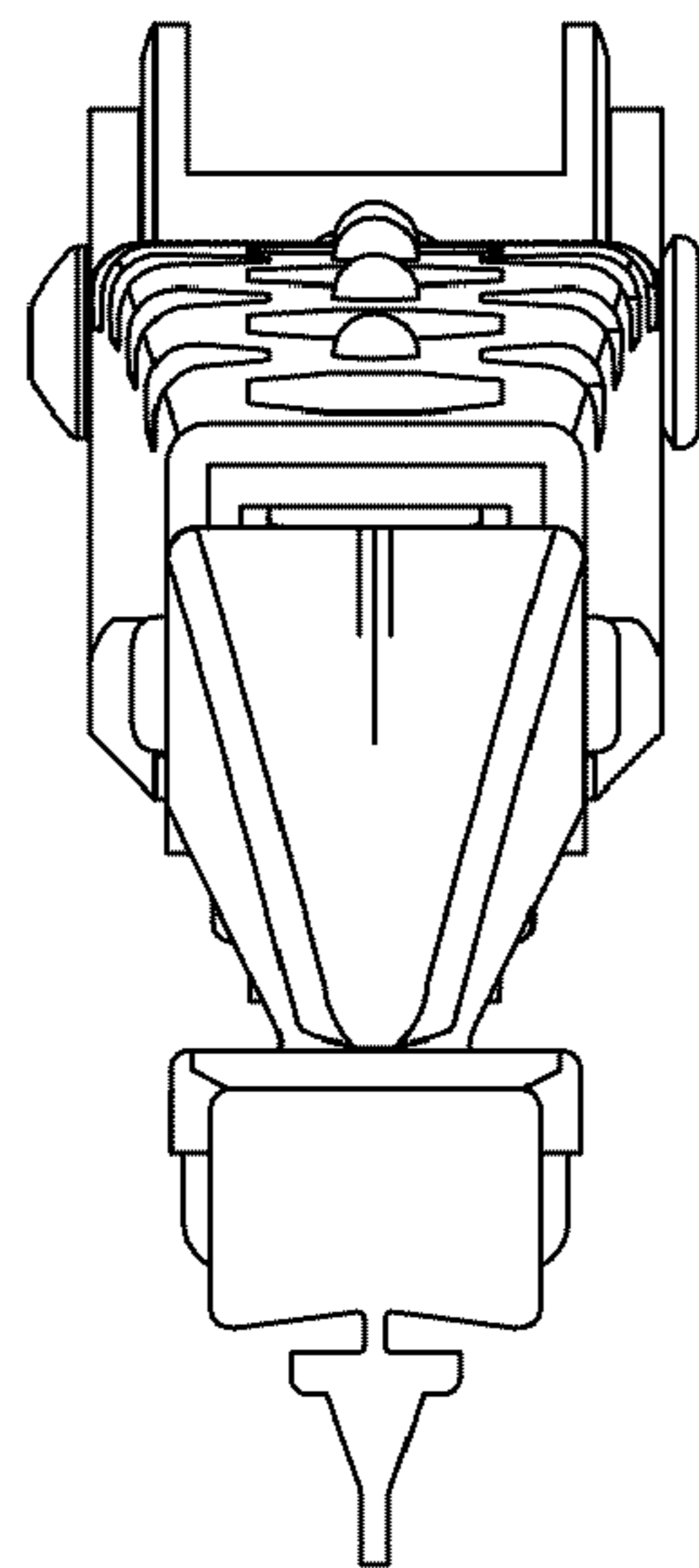


FIG 5

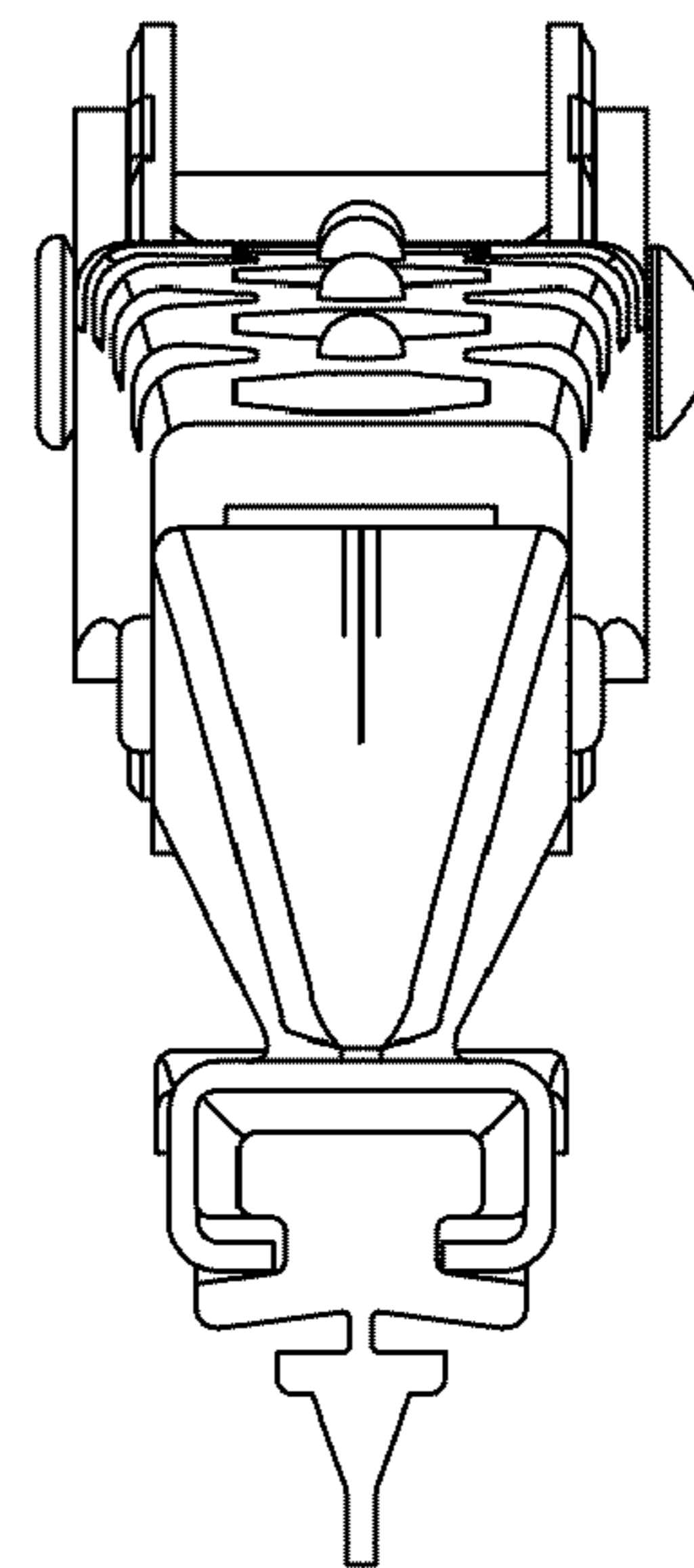


FIG 6



FIG 7



FIG 8

