



US00D637130S

(12) **United States Design Patent**
Barkey

(10) **Patent No.:** **US D637,130 S**

(45) **Date of Patent:** **** May 3, 2011**

(54) **SIDE STEP FOR A VEHICLE**

(76) Inventor: **Martin Barkey**, Huntsville (CA)

(**) Term: **14 Years**

(21) Appl. No.: **29/346,518**

(22) Filed: **Nov. 2, 2009**

(51) **LOC (9) Cl.** **12-16**

(52) **U.S. Cl.** **D12/203**

(58) **Field of Classification Search** D12/203,
D12/93-99, 196, 400; D25/62, 63, 69; 182/90,
182/92, 150, 96, 127, 88; 280/163, 165,
280/164.1, 164.2, 166, 169; 296/62, 57.1;
293/117; 105/430, 487, 449
See application file for complete search history.

(56) **References Cited**

U.S. PATENT DOCUMENTS

3,357,719	A	12/1967	McCrea	
D229,045	S *	11/1973	Downey	D12/203
D284,752	S *	7/1986	Horton, Jr.	D12/203
4,620,609	A	11/1986	Elsten	
D293,667	S *	1/1988	Weiler	D12/203
4,785,910	A	11/1988	Tonkovich	
5,193,829	A	3/1993	Holloway et al.	
D340,904	S *	11/1993	Bevier	D12/203
D381,948	S	8/1997	Schult	
5,829,774	A	11/1998	Klemp	
D474,435	S *	5/2003	Lund et al.	D12/203
6,588,781	B2	7/2003	Pohill et al.	
6,588,783	B2	7/2003	Fichter	
6,874,801	B2	4/2005	Fichter	
D505,902	S *	6/2005	Goldstein	D12/203

D536,651	S *	2/2007	Polka	D12/203
D549,145	S *	8/2007	Kieffer et al.	D12/203
D549,146	S *	8/2007	Kieffer et al.	D12/203
D559,755	S *	1/2008	Ito et al.	D12/203
D560,151	S *	1/2008	Jeffries	D12/203
D588,514	S *	3/2009	Kudelko et al.	D12/203
2007/0138757	A1	6/2007	Kuntze et al.	
2007/0273123	A1	11/2007	Wilson	
2008/0231013	A1	9/2008	Richardson et al.	
2009/0008896	A1	1/2009	Phillips	

FOREIGN PATENT DOCUMENTS

DE	4001788	5/1991
JP	2009-220978	10/2009

* cited by examiner

Primary Examiner — Stacia Cadmus

(74) *Attorney, Agent, or Firm* — Christopher B. Watson;
Borden Ladner Gervais LLP

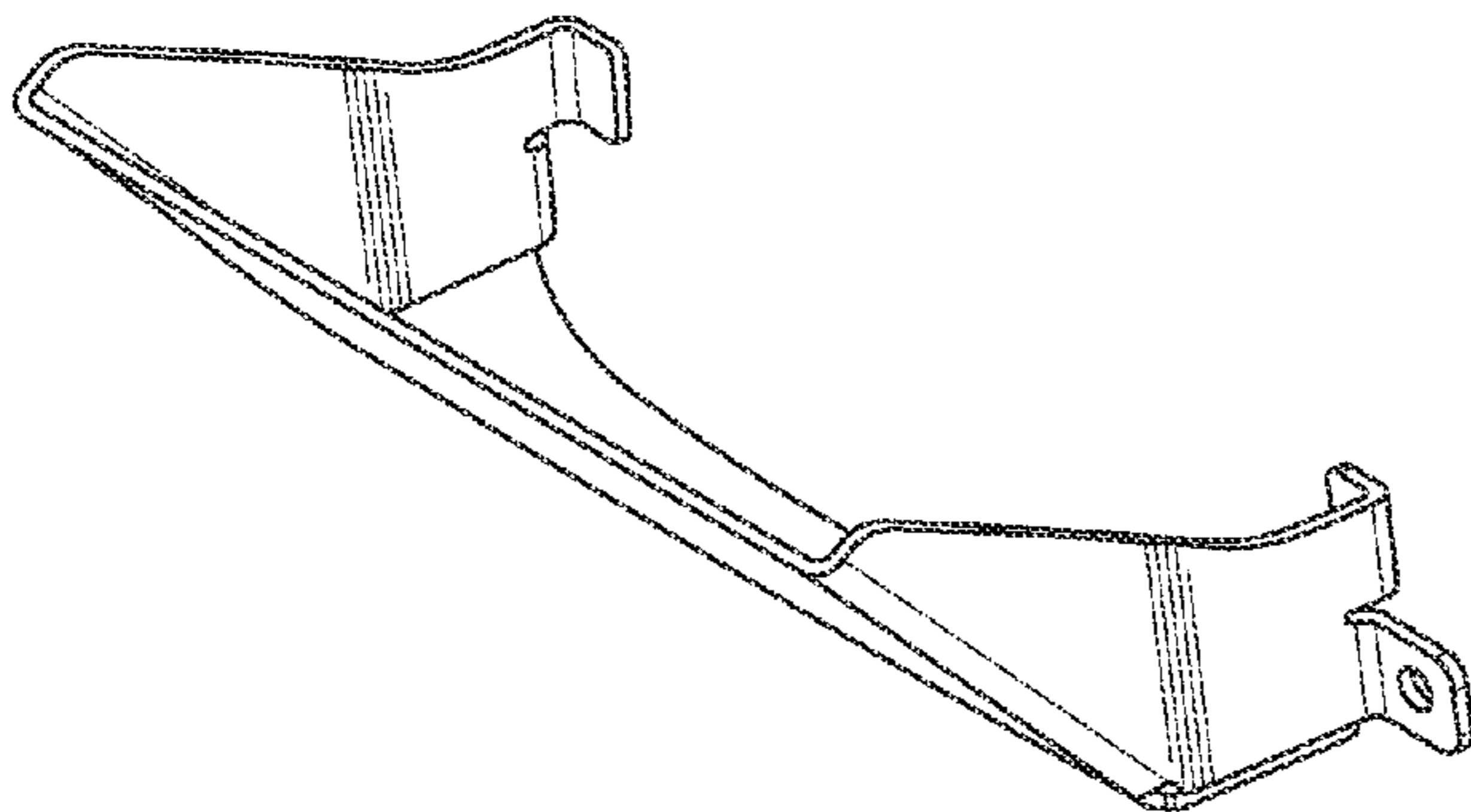
(57) **CLAIM**

The ornamental design for a side step for a vehicle, as shown and described.

DESCRIPTION

FIG. 1 is a perspective view of the side step for a vehicle;
FIG. 2 is a front view thereof;
FIG. 3 is a top view thereof;
FIG. 4 is a left side view thereof;
FIG. 5 is a right side view thereof;
FIG. 6 is a back view thereof; and,
FIG. 7 is a reduced front view showing the side step in use with a vehicle, where the vehicle is shown in broken lines and illustrates environment but does not form part of the design.

1 Claim, 2 Drawing Sheets



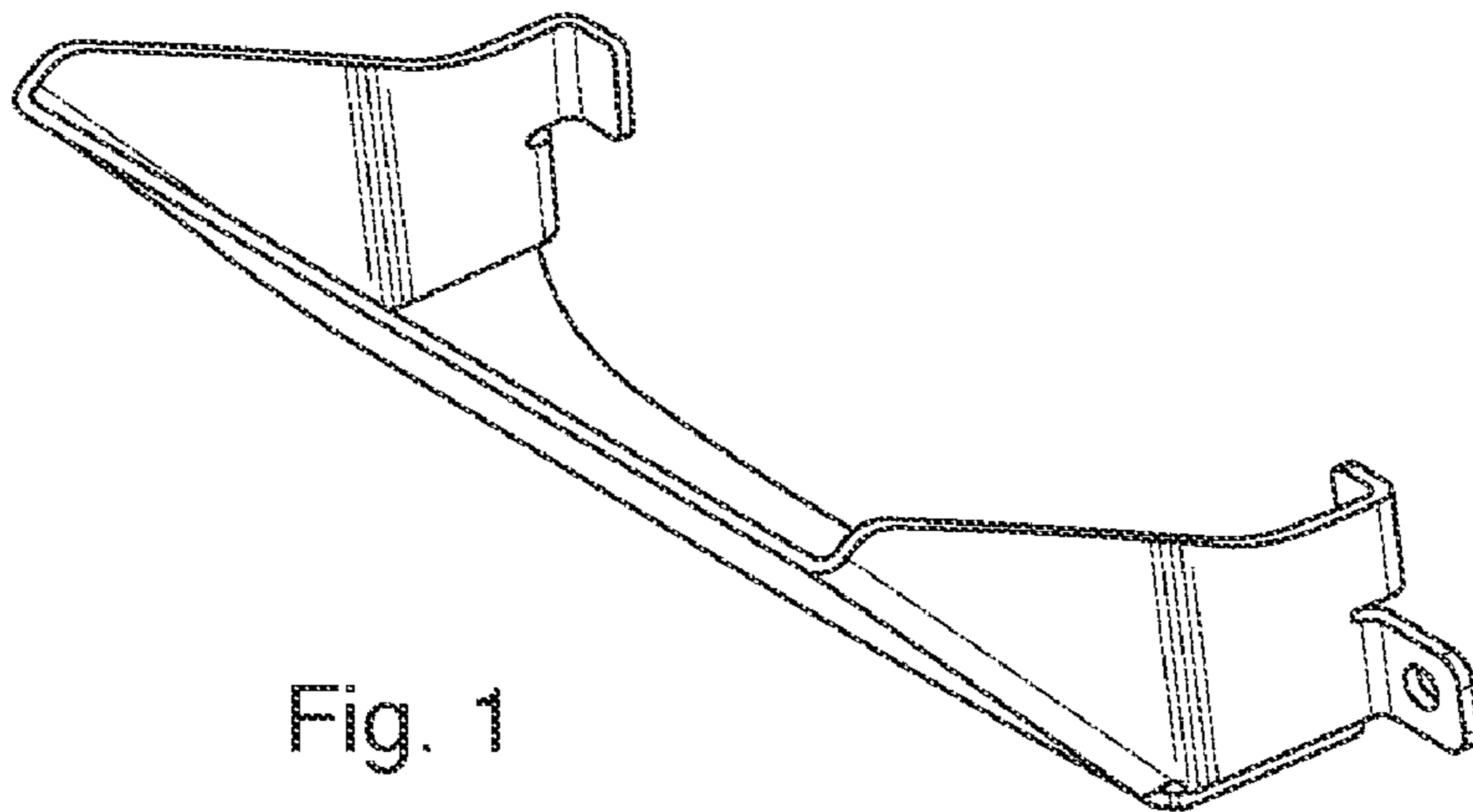


Fig. 1



Fig. 2

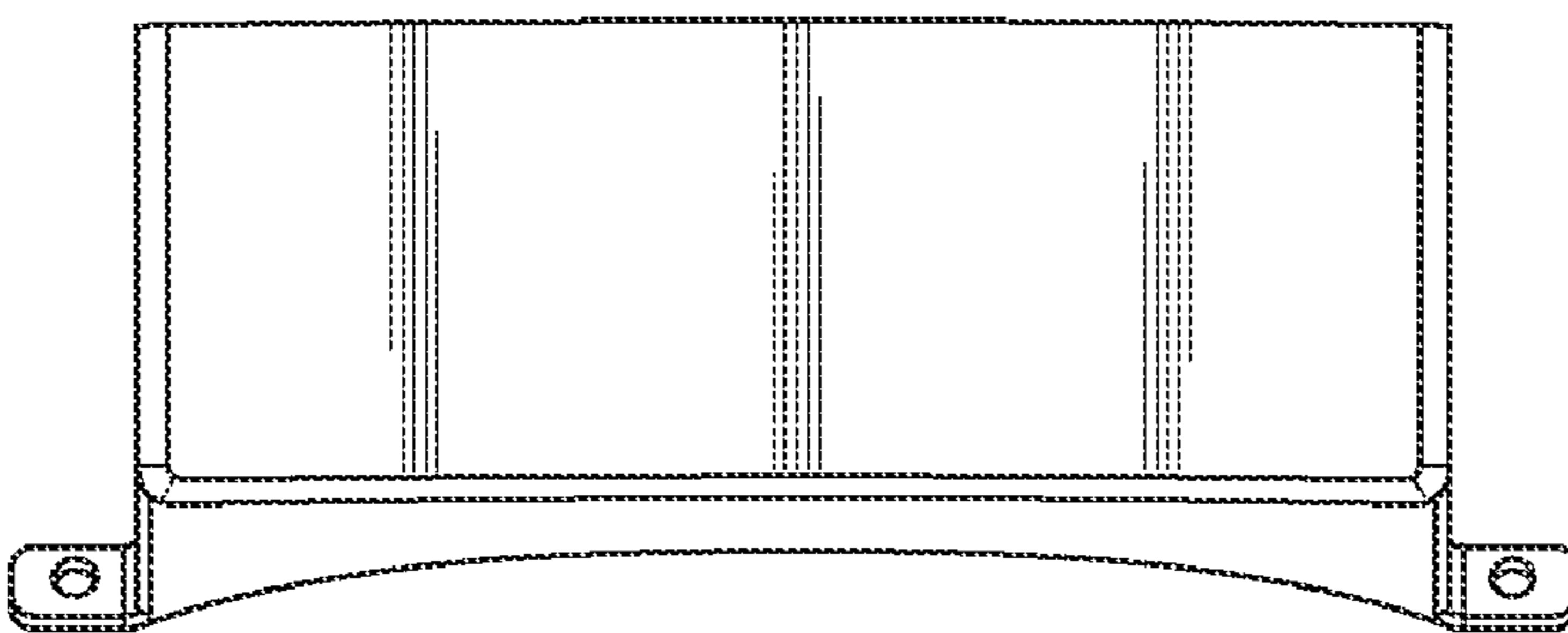


Fig. 3

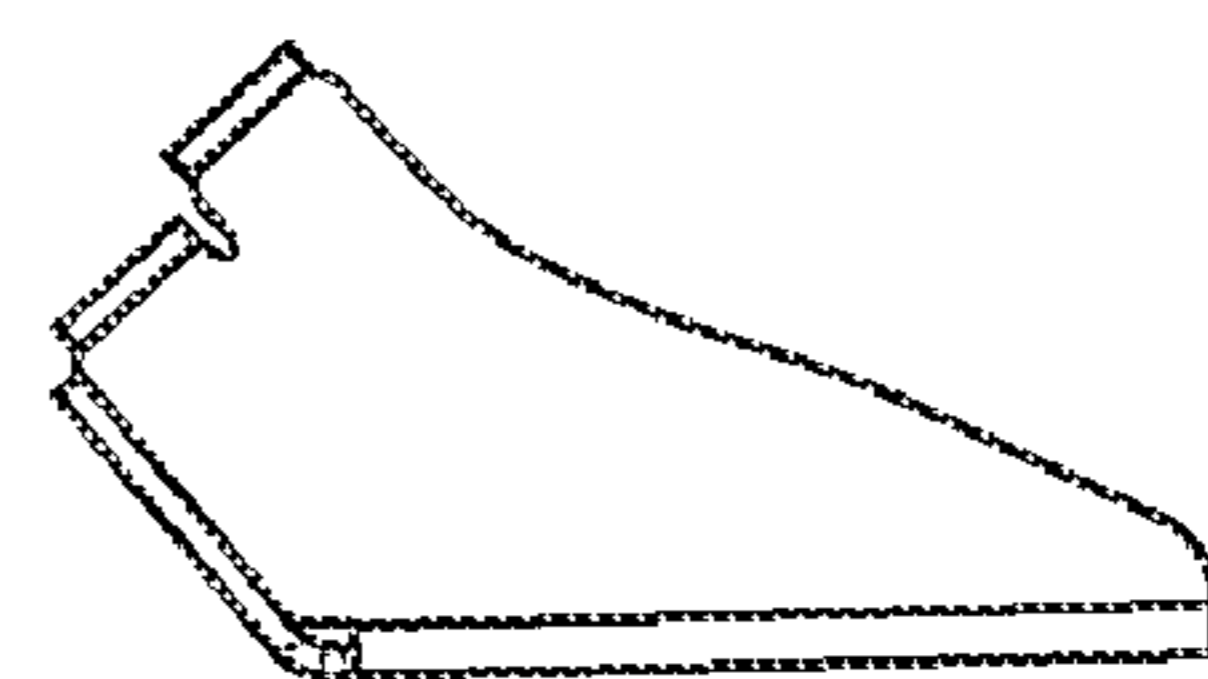


Fig. 4



Fig. 5

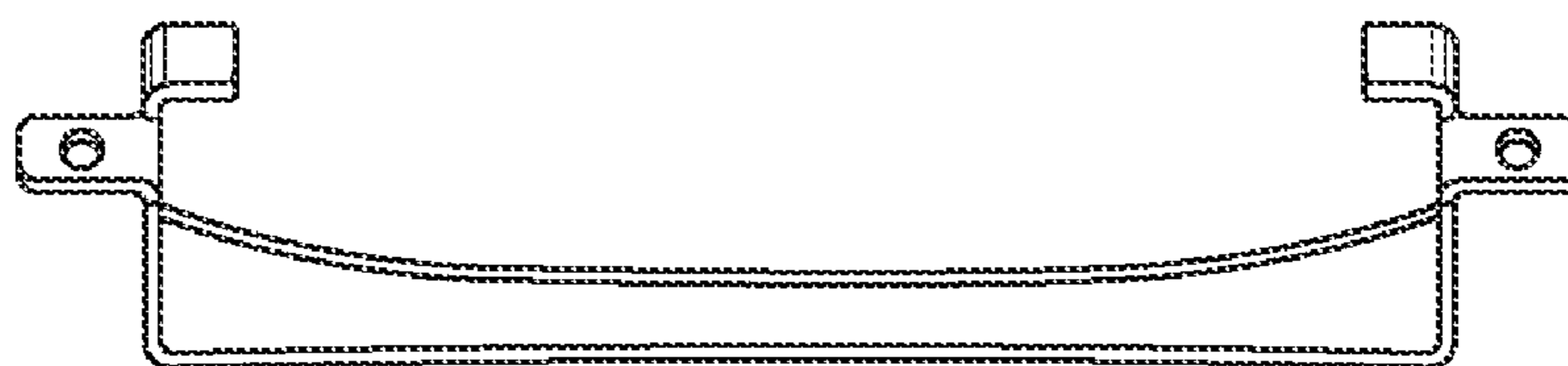


Fig. 6

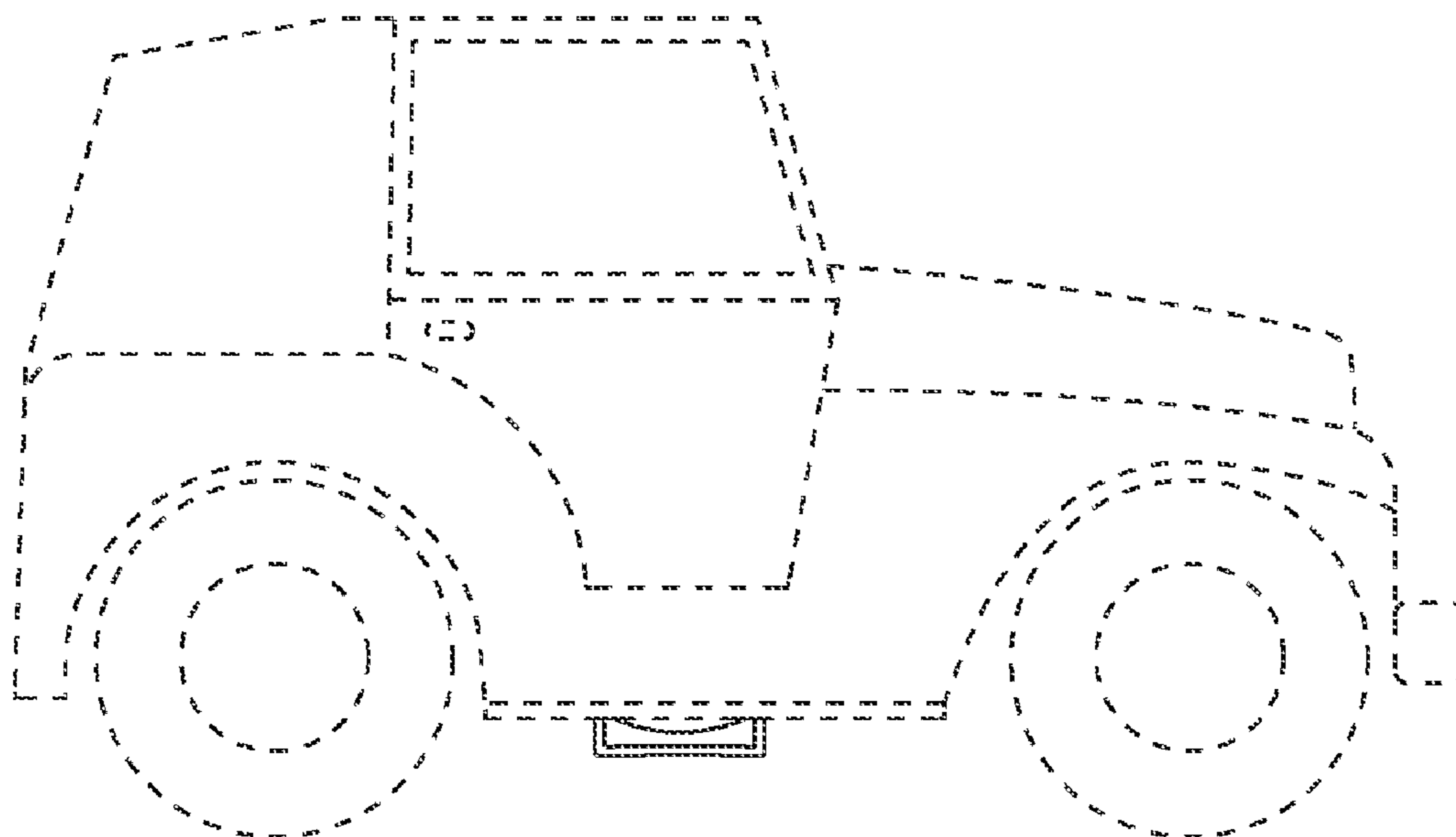


Fig. 7