



US00D637129S

(12) **United States Design Patent**
Speigl

(10) **Patent No.:** **US D637,129 S**

(45) **Date of Patent:** **** May 3, 2011**

(54) **LICENSE-PLATE FASTENER**

(75) Inventor: **Josef Speigl**, Pemfling (DE)

(73) Assignee: **Adolf Wuerth GmbH & Co. KG**,
Kuenzelsau (DE)

(**) Term: **14 Years**

(21) Appl. No.: **29/362,807**

(22) Filed: **Jun. 1, 2010**

(30) **Foreign Application Priority Data**

Dec. 9, 2009 (EM) 001645151-0001

(51) **LOC (9) Cl.** **12-16**

(52) **U.S. Cl.** **D12/193**

(58) **Field of Classification Search** D12/193;
D6/300-30, 310-315; 40/200-204, 207-214;
362/497, 473, 327, 604; D20/13-14
See application file for complete search history.

(56) **References Cited**

U.S. PATENT DOCUMENTS

- D40,984 S * 11/1910 Harper D12/193
- D106,718 S * 10/1937 Carlson D20/14
- D176,332 S * 12/1955 Helm D12/193
- D280,400 S * 9/1985 Luthe et al. D12/193

- D350,104 S * 8/1994 Lee D12/193
- D379,611 S * 6/1997 Berry, Jr. D12/193
- D478,030 S * 8/2003 Arens D12/193
- D510,718 S * 10/2005 Spencer D12/193
- D534,110 S * 12/2006 Kellermann D12/193
- D537,765 S * 3/2007 Porter D12/193
- D557,647 S * 12/2007 Parenti D12/193

* cited by examiner

Primary Examiner — Stacia Cadmus

(74) *Attorney, Agent, or Firm* — Andrew Wilford

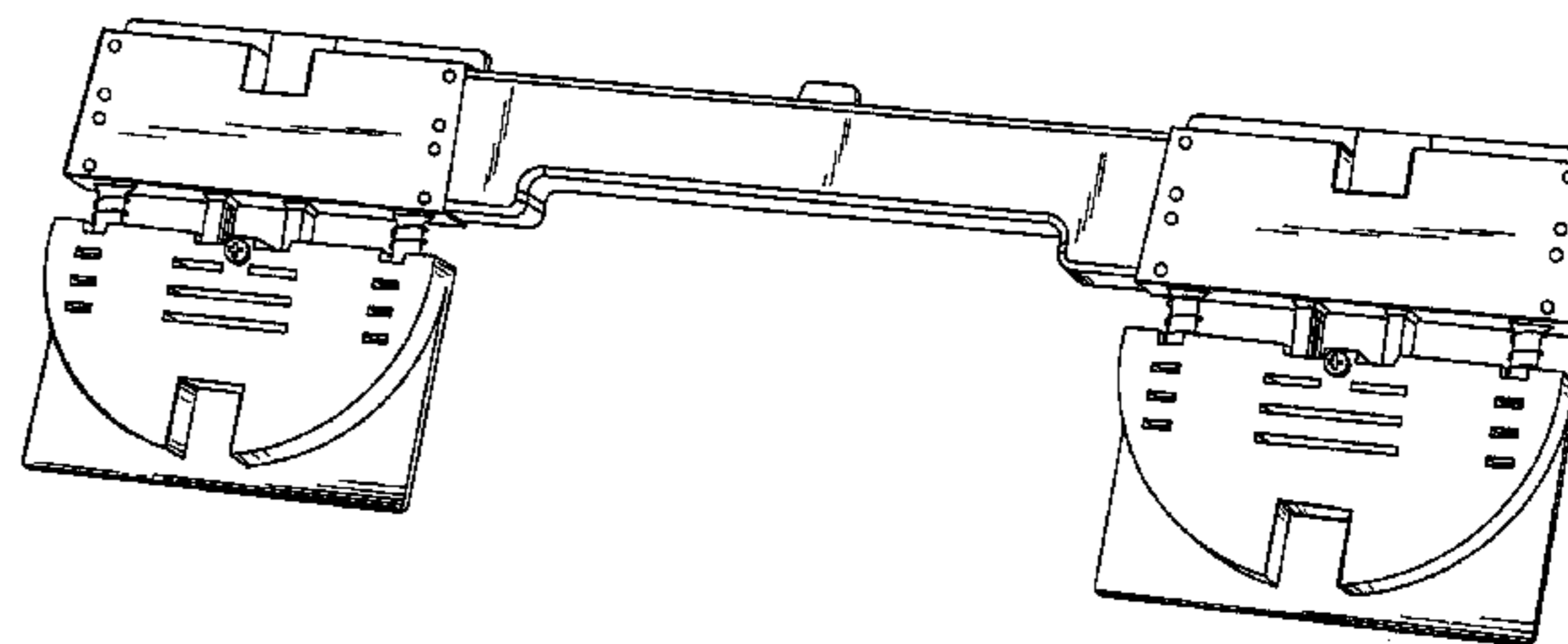
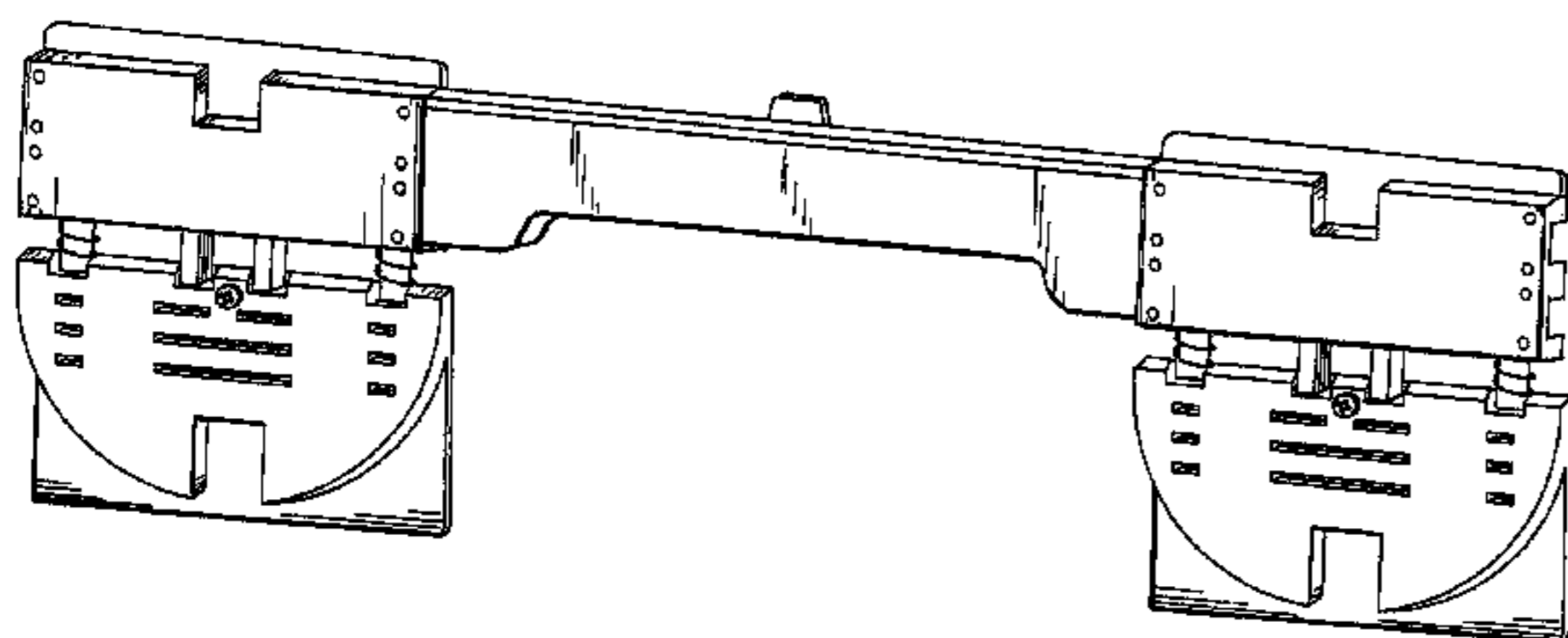
(57) **CLAIM**

The ornamental design for a license-plate fastener, as shown and described.

DESCRIPTION

FIG. 1 is a front perspective view of a license-plate fastener, showing my new design;
 FIG. 2 is another front perspective view thereof;
 FIG. 3 is a rear perspective view thereof;
 FIG. 4 is a front perspective view of the centerpiece element of the license-plate fastener, shown on an enlarged scale and shown separately for ease of illustration; and,
 FIG. 5 is an exploded view of one the end pieces of the license-plate fastener, shown on an enlarged scale and shown separately for ease of illustration.

1 Claim, 5 Drawing Sheets



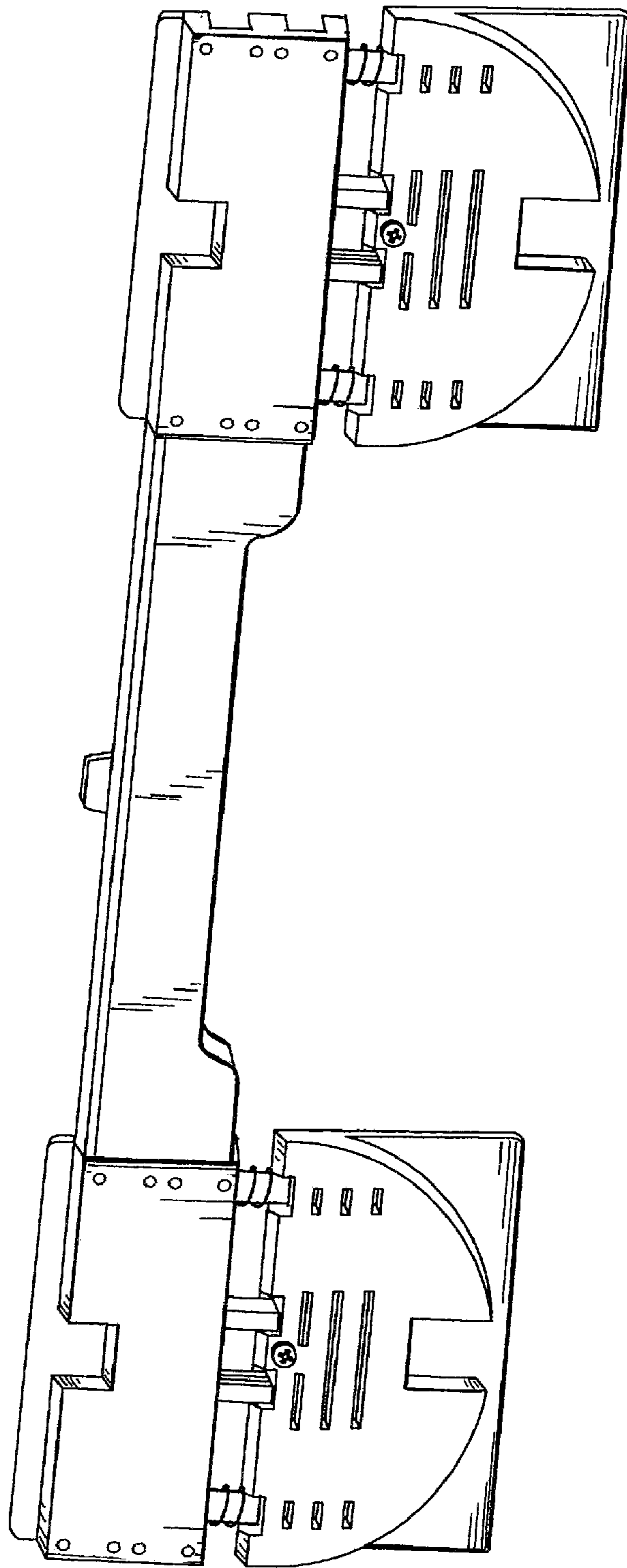


Fig. 1

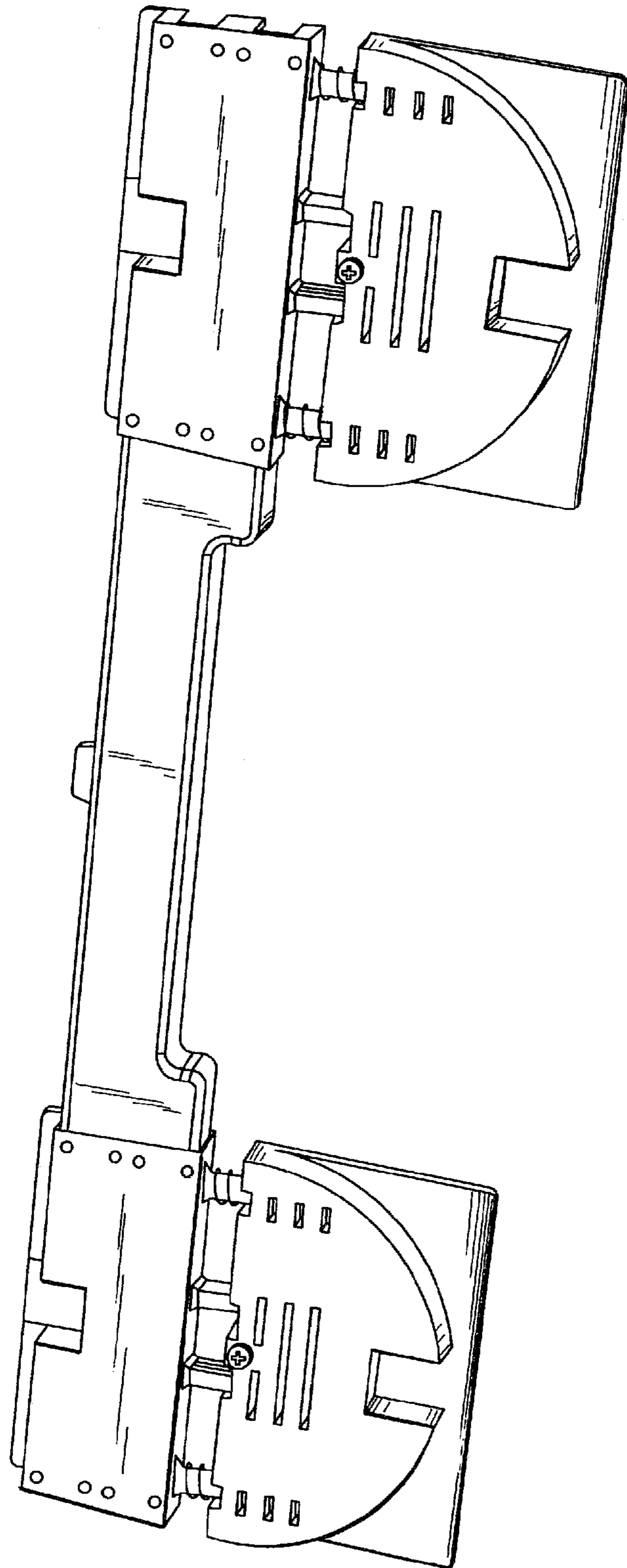


Fig. 2

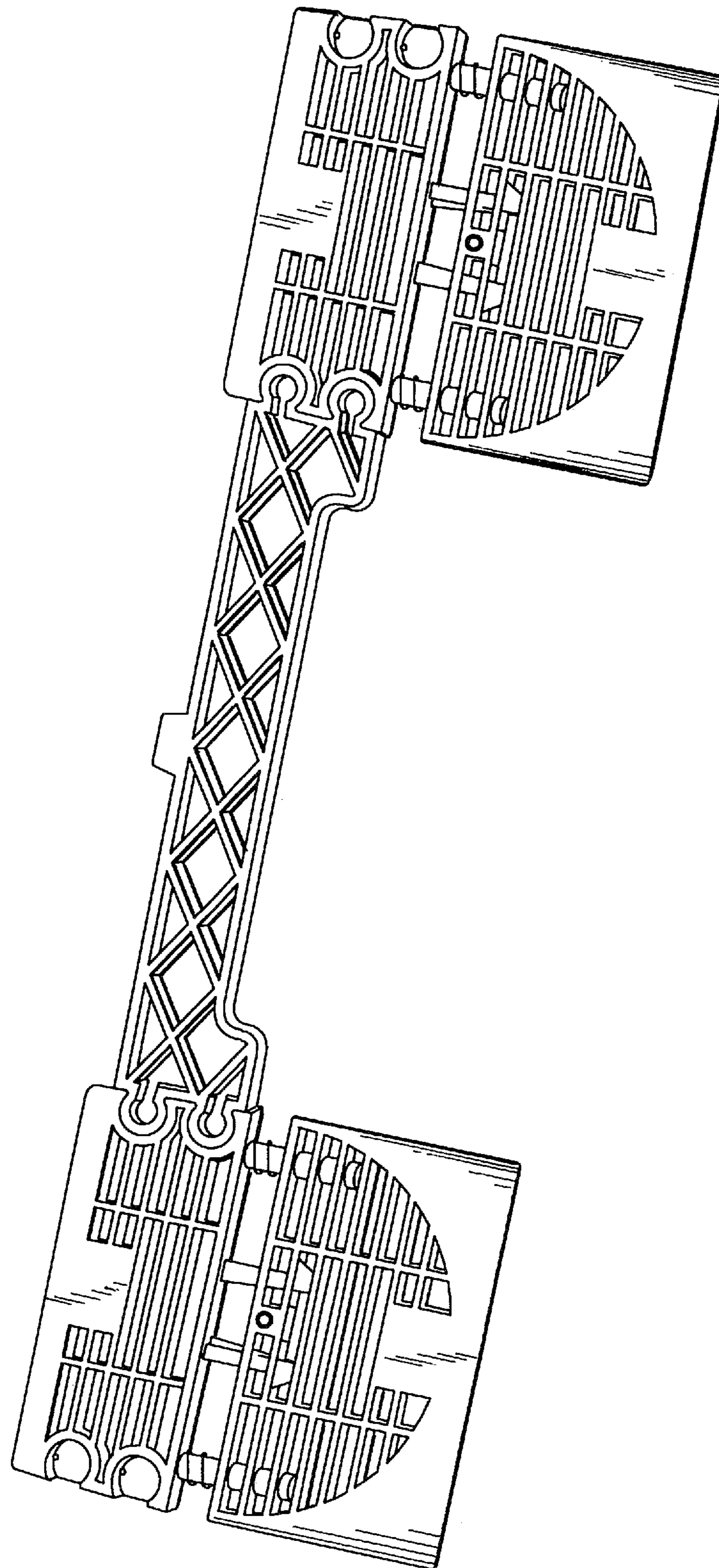


Fig. 3

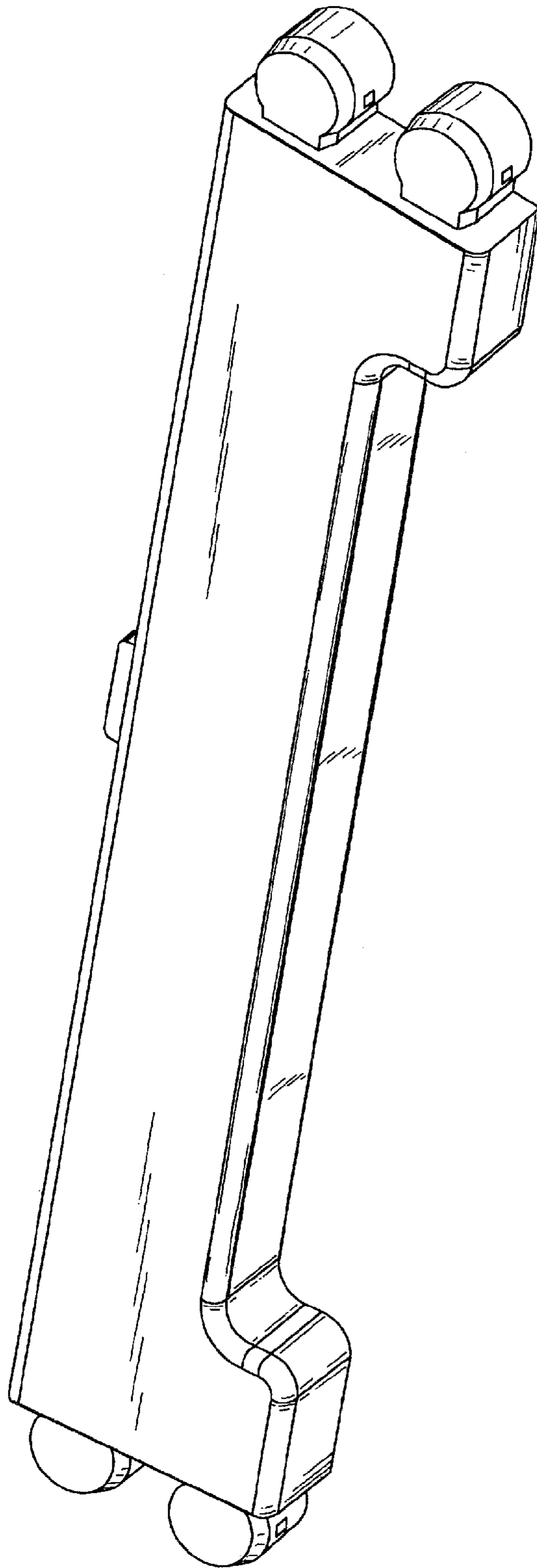


Fig. 4

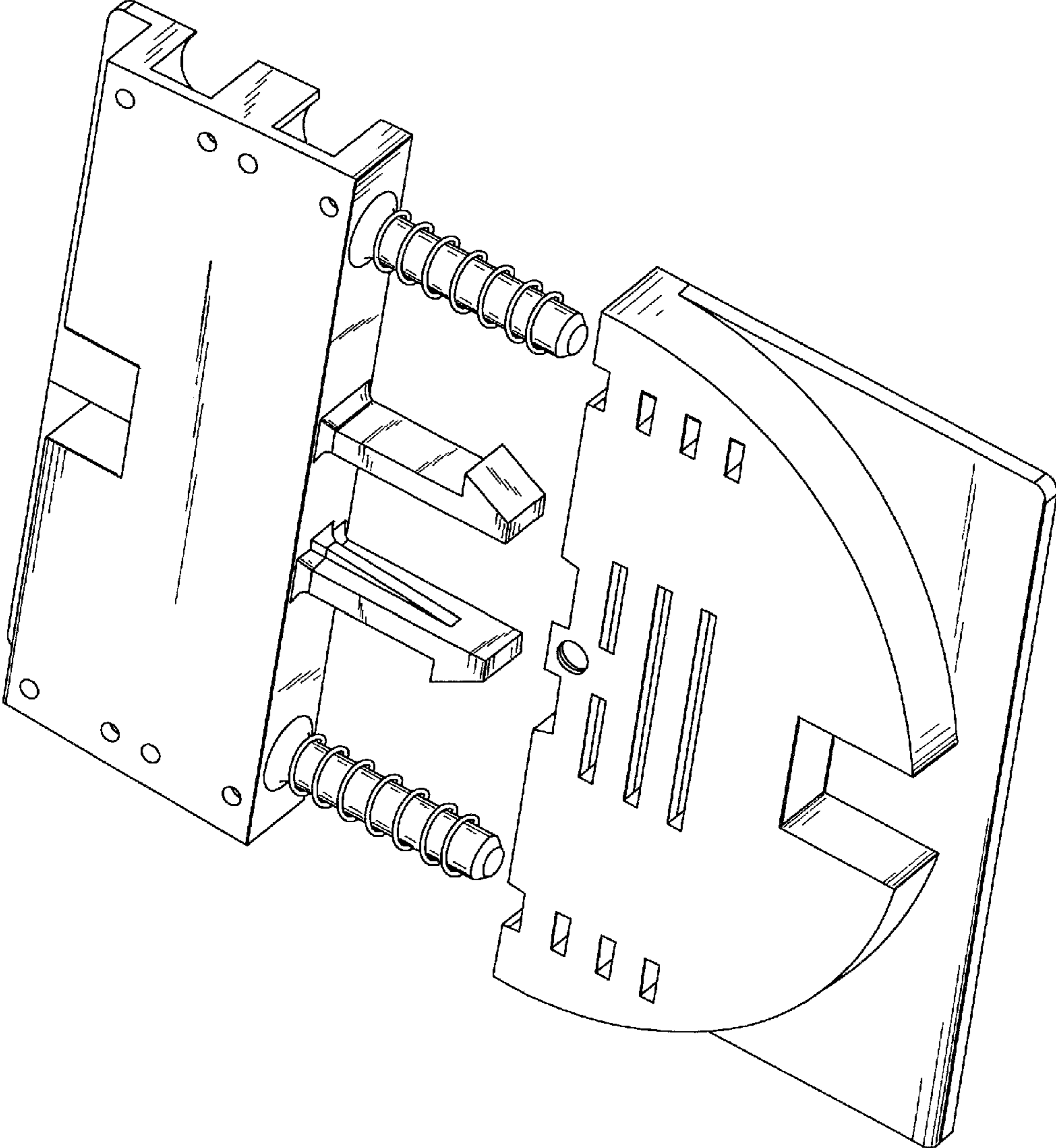


Fig. 5