



US00D637128S

(12) **United States Design Patent**
Klein

(10) **Patent No.:** **US D637,128 S**

(45) **Date of Patent:** **** May 3, 2011**

(54) **INSTRUMENT CLUSTER FOR MOTOR VEHICLE**

(75) Inventor: **Thorsten Klein**, Grafenau (DE)

(73) Assignee: **Dr. Ing. h.c. F. Porsche Aktiengesellschaft**, Stuttgart (DE)

(**) Term: **14 Years**

(21) Appl. No.: **29/367,916**

(22) Filed: **Aug. 16, 2010**

(30) **Foreign Application Priority Data**

Feb. 16, 2010 (EM) 001196281

(51) **LOC (9) Cl.** **12-16**

(52) **U.S. Cl.** **D12/192**

(58) **Field of Classification Search** D12/192,
D12/415, 110, 114; 180/90; 280/750-752;
296/190.01-190.09, 191, 70; D15/17, 28;
D10/46, 98, 102-103, 122, 127
See application file for complete search history.

(56) **References Cited**

U.S. PATENT DOCUMENTS

D483,309 S *	12/2003	Wyszogrod	D12/192
D492,776 S *	7/2004	Nilsson	D24/133
D531,557 S *	11/2006	Weideman	D12/192
D538,694 S *	3/2007	Rake	D10/103
D541,686 S *	5/2007	Kraus	D10/103

D589,388 S *	3/2009	Sauter	D10/102
D593,012 S *	5/2009	Day et al.	D12/192
D593,469 S *	6/2009	Day et al.	D12/192
D626,479 S *	11/2010	Mizuno	D12/192
2004/0125587 A1 *	7/2004	Wada et al.	362/29
2005/0151032 A1 *	7/2005	Chen	248/27.1

* cited by examiner

Primary Examiner — Caron Veynar

Assistant Examiner — Katrina A Kile

(74) *Attorney, Agent, or Firm* — RatnerPrestia

(57) **CLAIM**

The ornamental design for instrument cluster for motor vehicle, as shown and described.

DESCRIPTION

FIG. 1 is a front perspective view of instrument cluster for motor vehicle;

FIG. 2 is a rear perspective view of the instruments;

FIG. 3 is a front elevation view of the instruments;

FIG. 4 is a rear elevation view of the instruments;

FIG. 5 is a left side elevation view of the instruments;

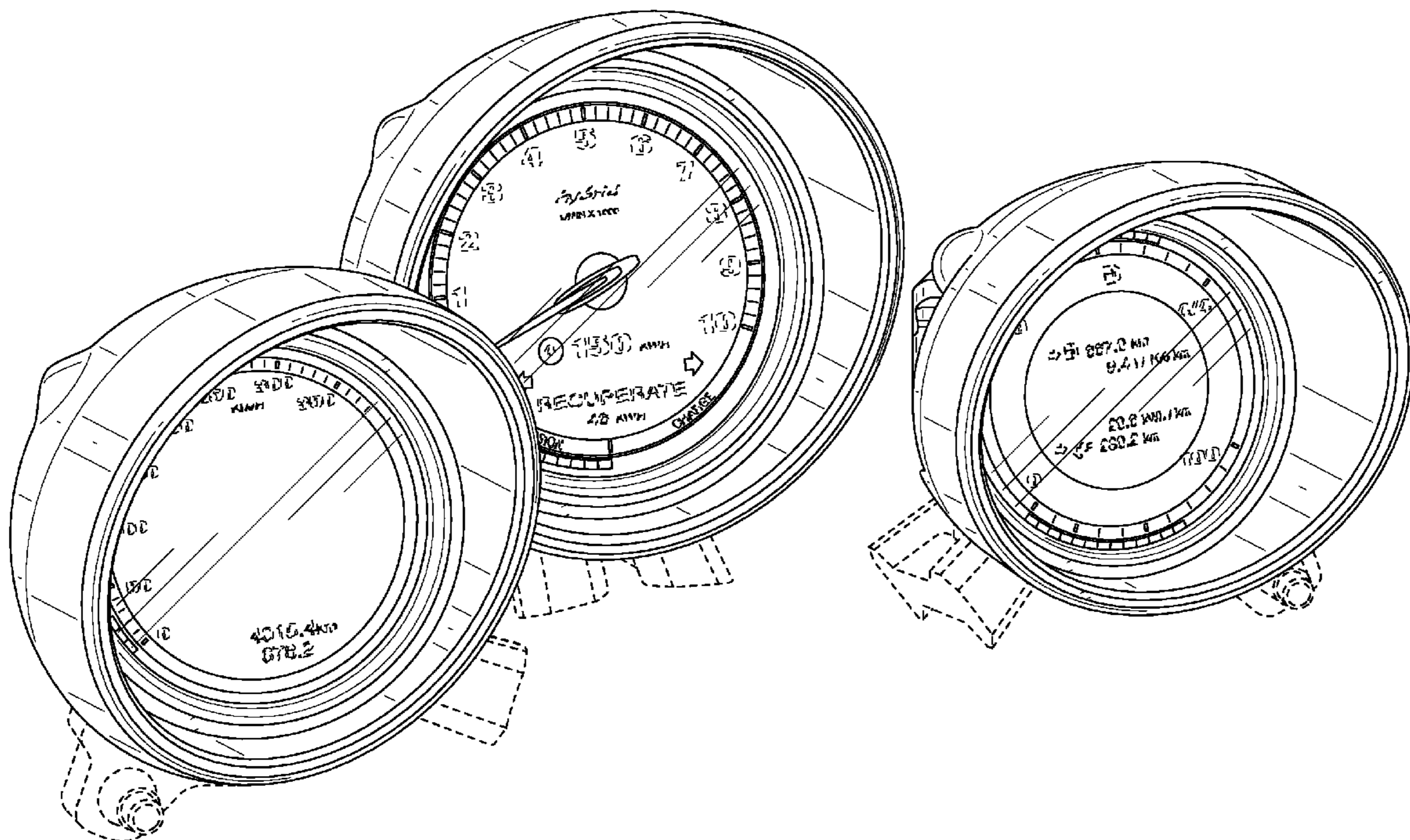
FIG. 6 is a right side elevation view of the instruments;

FIG. 7 is a top plan view of the instruments; and,

FIG. 8 is a bottom plan view of the instruments.

The broken lines are for illustration purposes only and form no part of the claimed design.

1 Claim, 8 Drawing Sheets



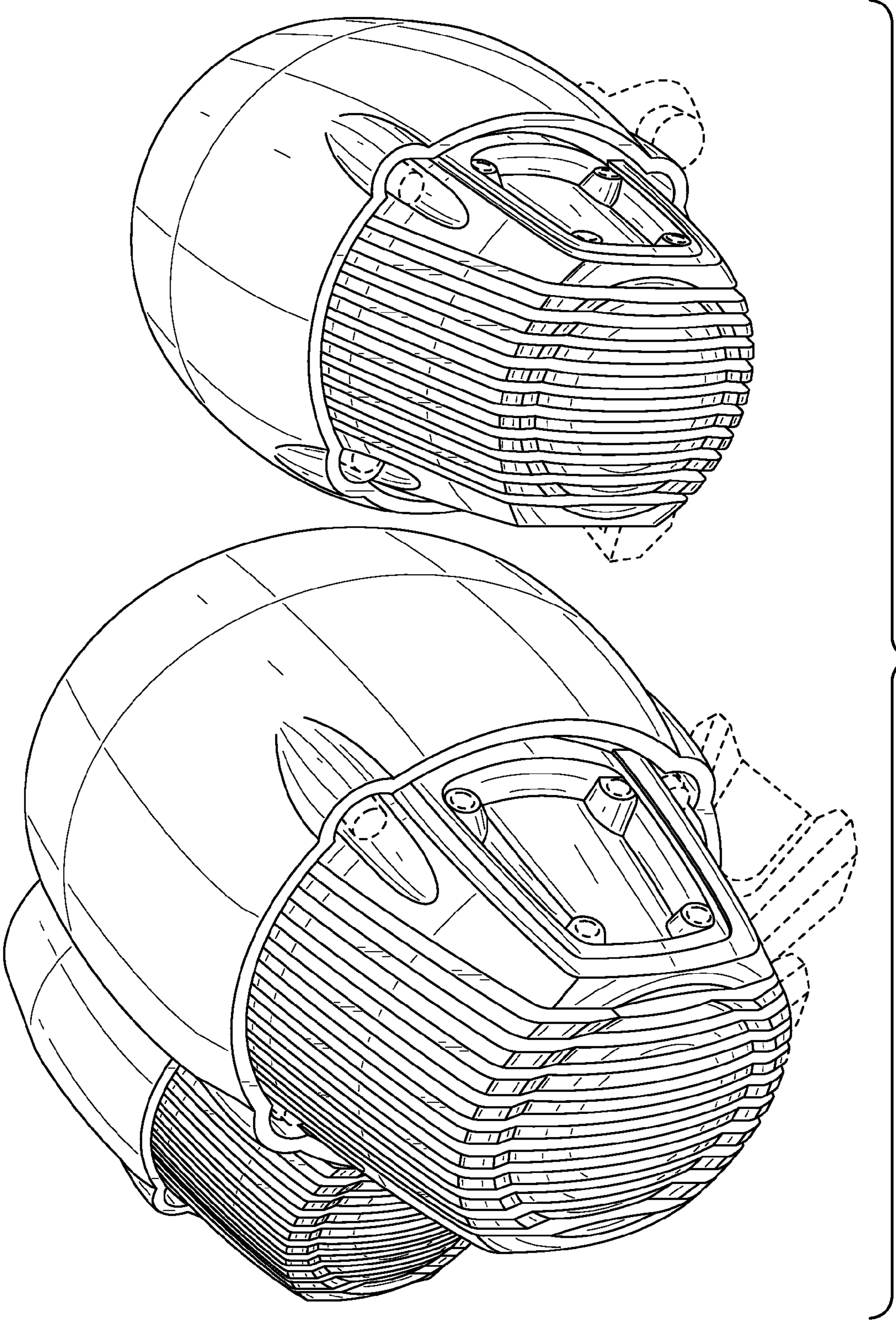


FIG. 2

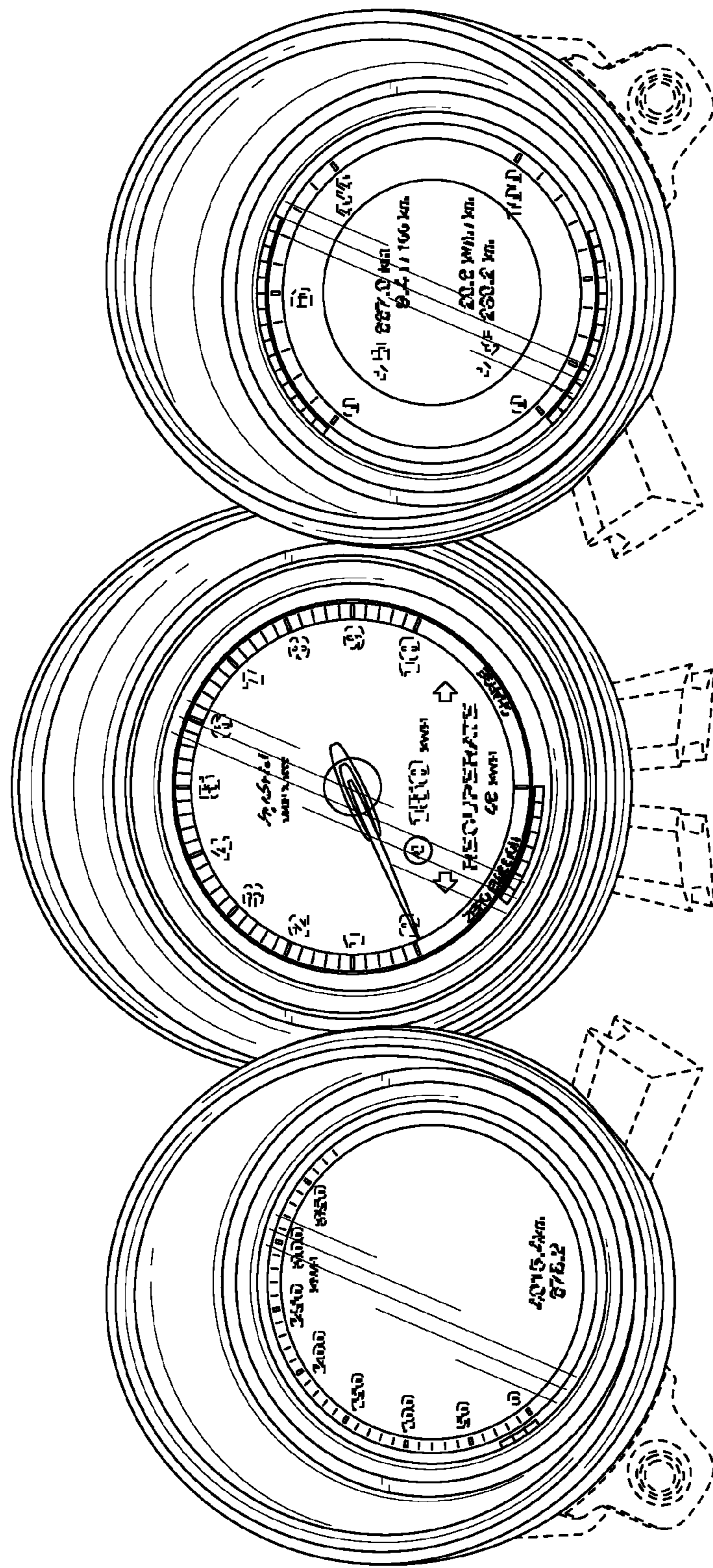


FIG. 3

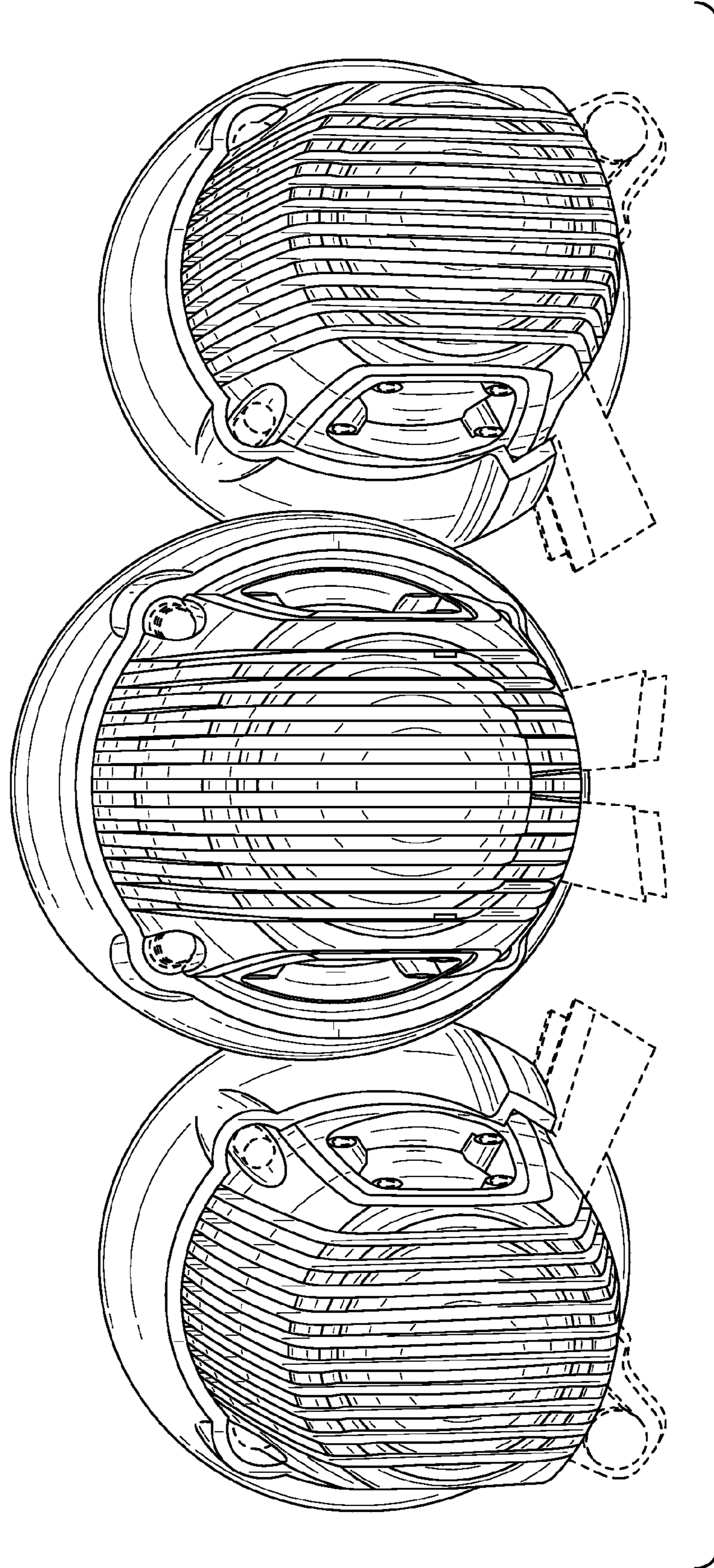


FIG. 4

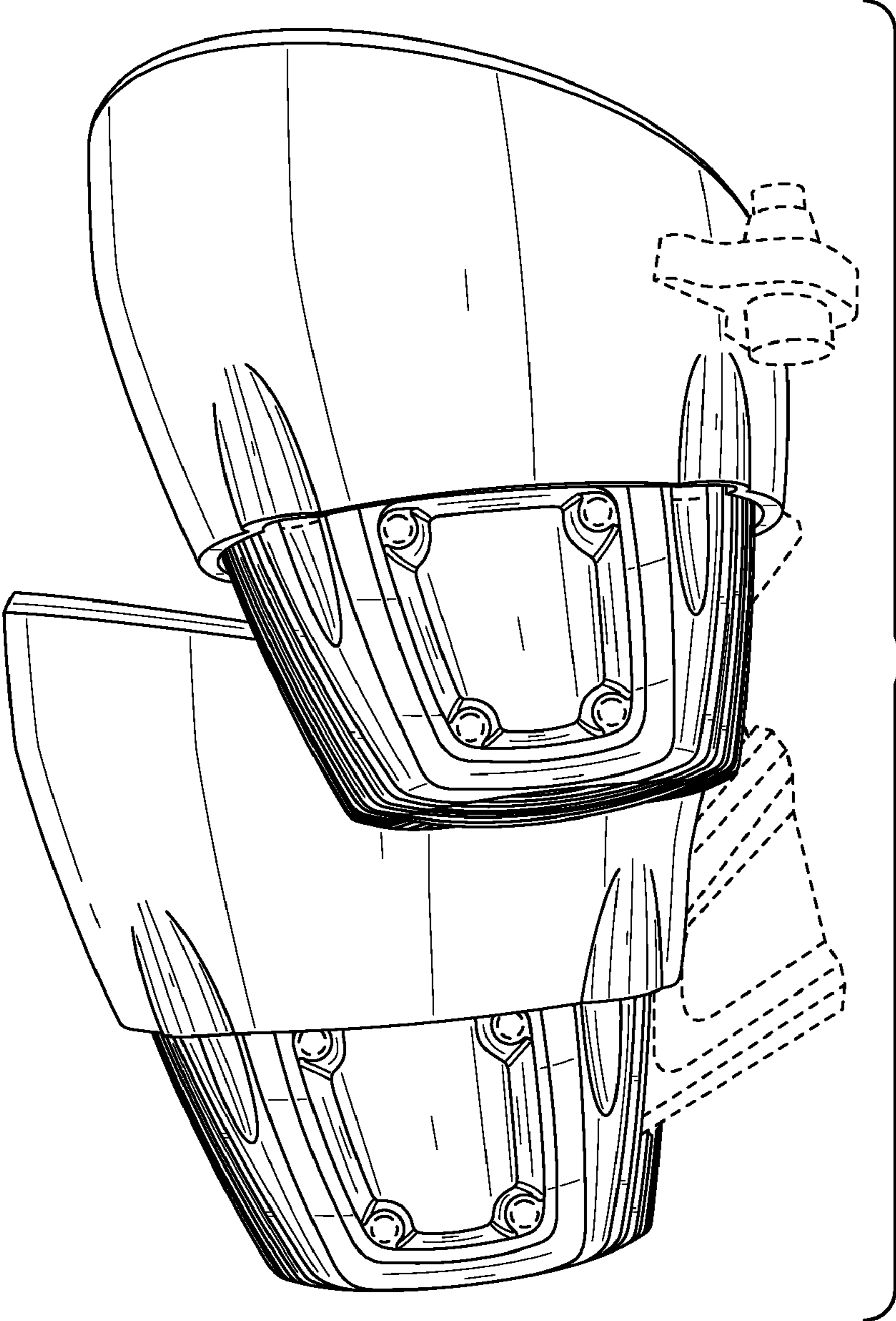


FIG. 5

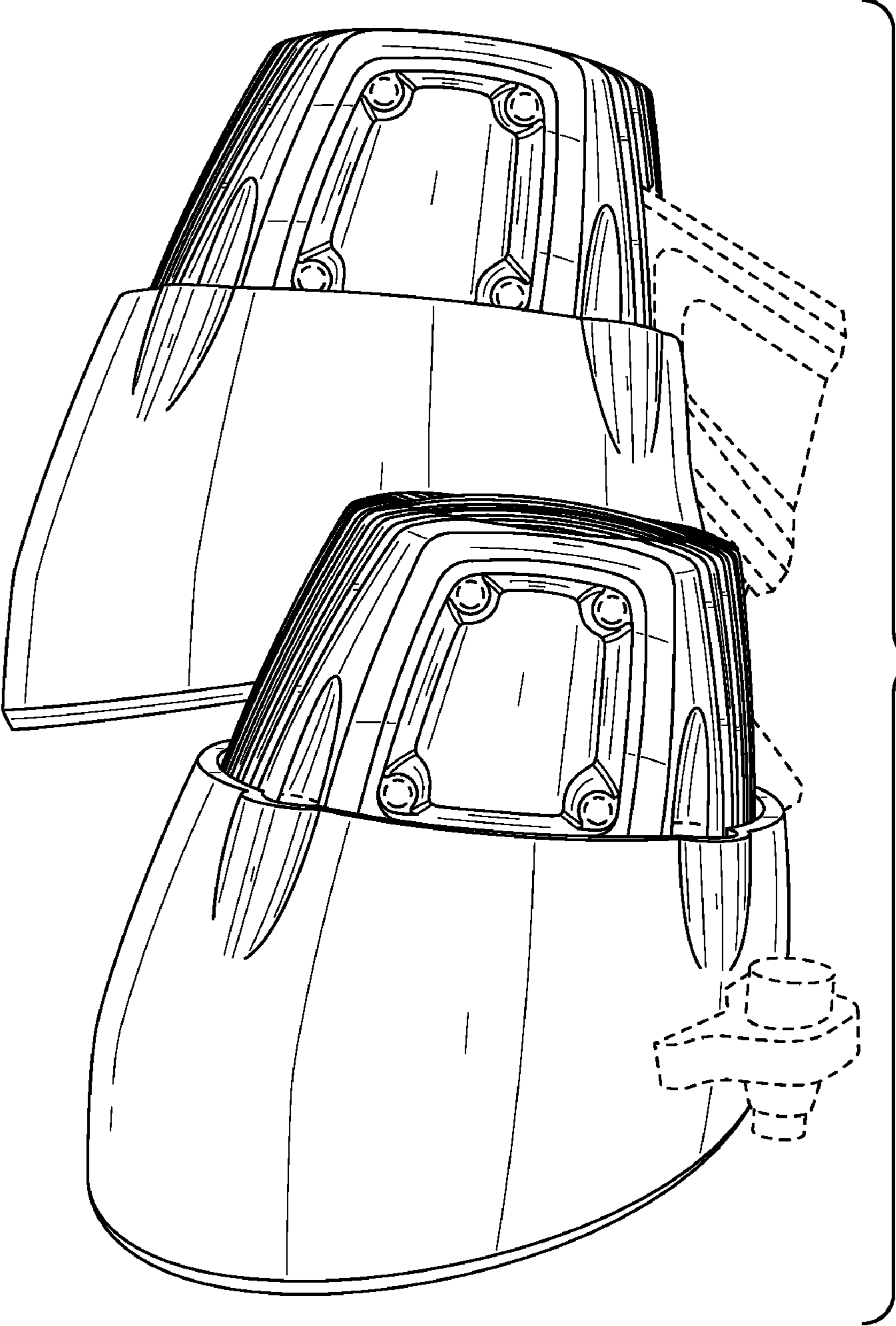


FIG. 6

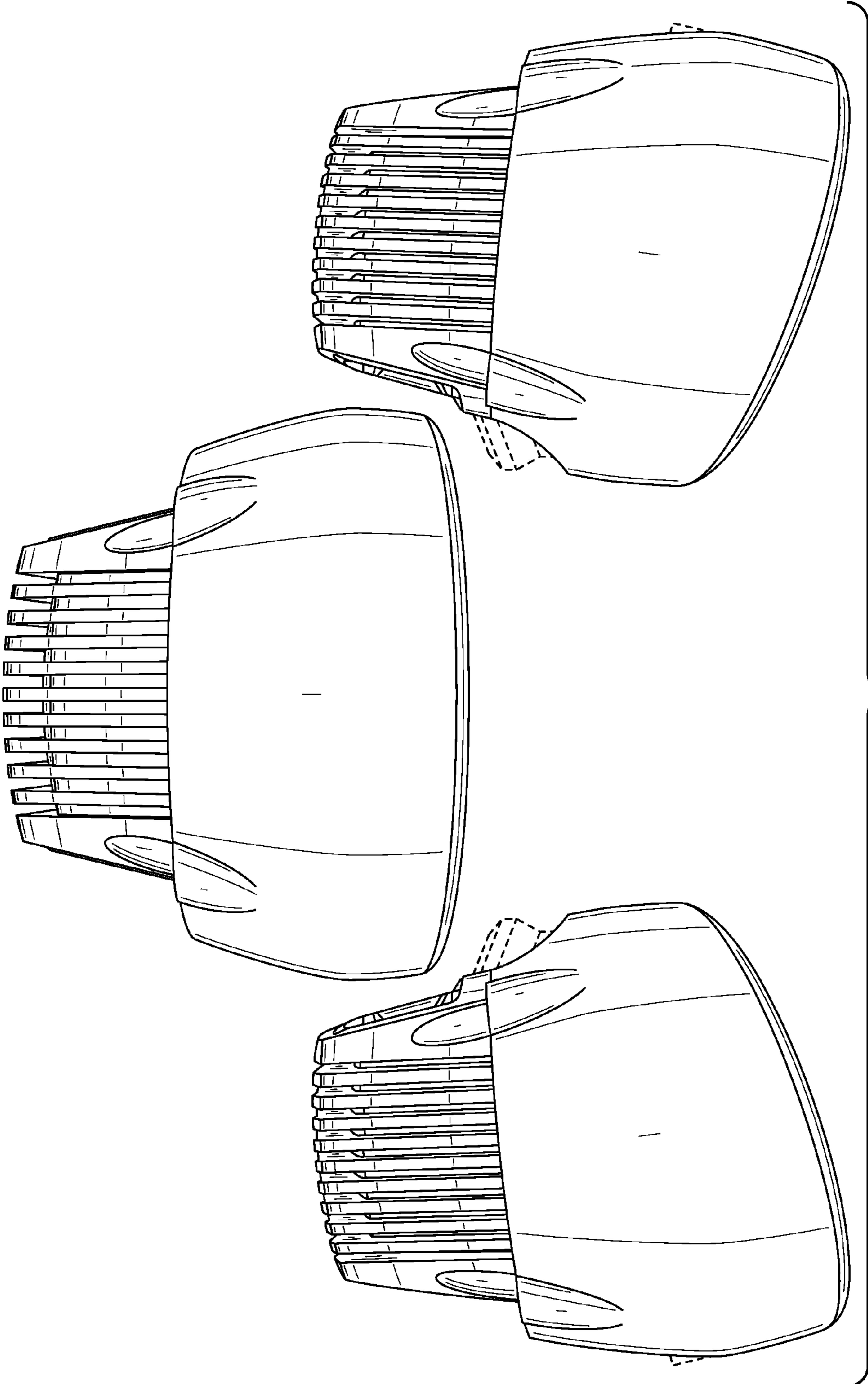


FIG. 7

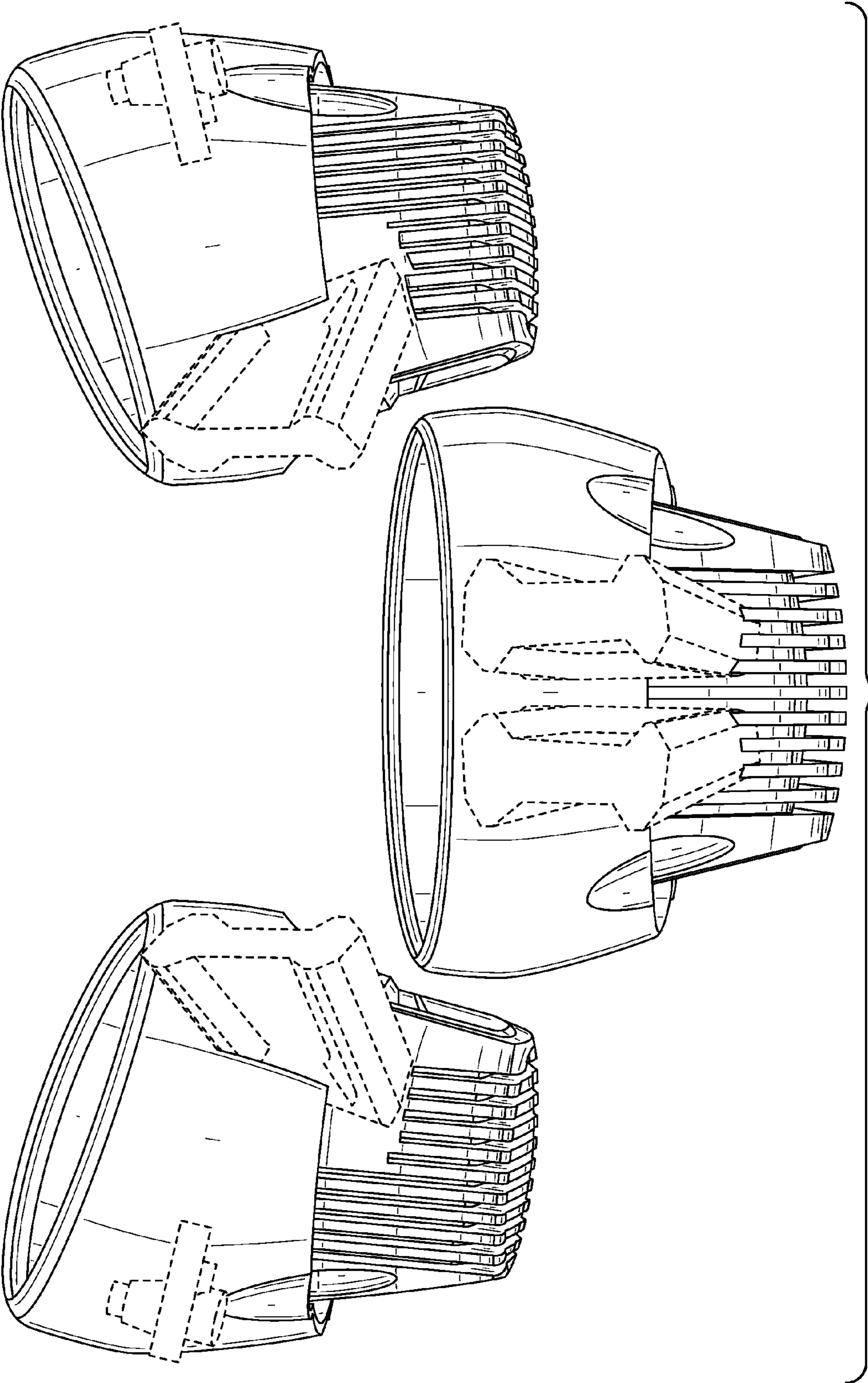


FIG. 8