

US00D637125S

(12) **United States Design Patent**
Griffin

(10) **Patent No.:** **US D637,125 S**

(45) **Date of Patent:** **** *May 3, 2011**

(54) **FOLDING SHIFTER OR BRAKE PEDAL FOR A MOTORCYCLE**

(76) Inventor: **Matthew Griffin**, Tarpon Springs, FL (US)

(*) Notice: This patent is subject to a terminal disclaimer.

(**) Term: **14 Years**

(21) Appl. No.: **29/365,765**

(22) Filed: **Jul. 14, 2010**

Related U.S. Application Data

(63) Continuation-in-part of application No. 29/350,709, filed on Nov. 22, 2009, now Pat. No. Des. 623,572.

(51) **LOC (9) Cl.** **12-11**

(52) **U.S. Cl.** **D12/179**

(58) **Field of Classification Search** D12/179, D12/180, 110, 114, 122, 125; 296/75; 74/512, 74/562, 562.5, 564, 478, 478.5, 473.16, 473.17, 74/473.2; 188/73.1, 344; 180/219, 336, 180/291-294, 230; 280/291, 288.4; 192/3.54, 192/3.61, 48.1, 48.7, 99 A, 99 B, 99 R, 99 S, 192/48.3

See application file for complete search history.

(56) **References Cited**

U.S. PATENT DOCUMENTS

3,853,020	A *	12/1974	Clark, III	74/560
D379,344	S *	5/1997	Everett	D12/180
D397,071	S *	8/1998	Hsueh	D12/180
D426,175	S *	6/2000	Chin-Fong	D12/114
6,345,550	B1 *	2/2002	Markham et al.	74/512
6,688,440	B2 *	2/2004	Matsushita et al.	188/344
6,957,821	B2 *	10/2005	Gorman et al.	280/291

D516,966	S *	3/2006	Wirtz	D12/125
D537,022	S *	2/2007	Sands	D12/179
D539,198	S *	3/2007	Sands	D12/179
7,467,682	B1 *	12/2008	Hahm	180/230
D601,469	S *	10/2009	Griffin et al.	D12/179
D601,470	S *	10/2009	Griffin et al.	D12/179
D601,471	S *	10/2009	Griffin et al.	D12/179
D601,472	S *	10/2009	Griffin et al.	D12/179

OTHER PUBLICATIONS

Custom Chrome® Chrome Specialties® 2003 catalog, Forward Control Kits by Billet Concepts, Legends, and Pro One™ p. 3.04.*
Drag Specialties 2003 catalog, Billet Aluminum Forward Controls on p. 785.*

* cited by examiner

Primary Examiner — Phillip S Hyder

Assistant Examiner — Linda Brooks

(74) *Attorney, Agent, or Firm* — Larson & Larson, P.A.; Frank Liebenow; Justin Miller

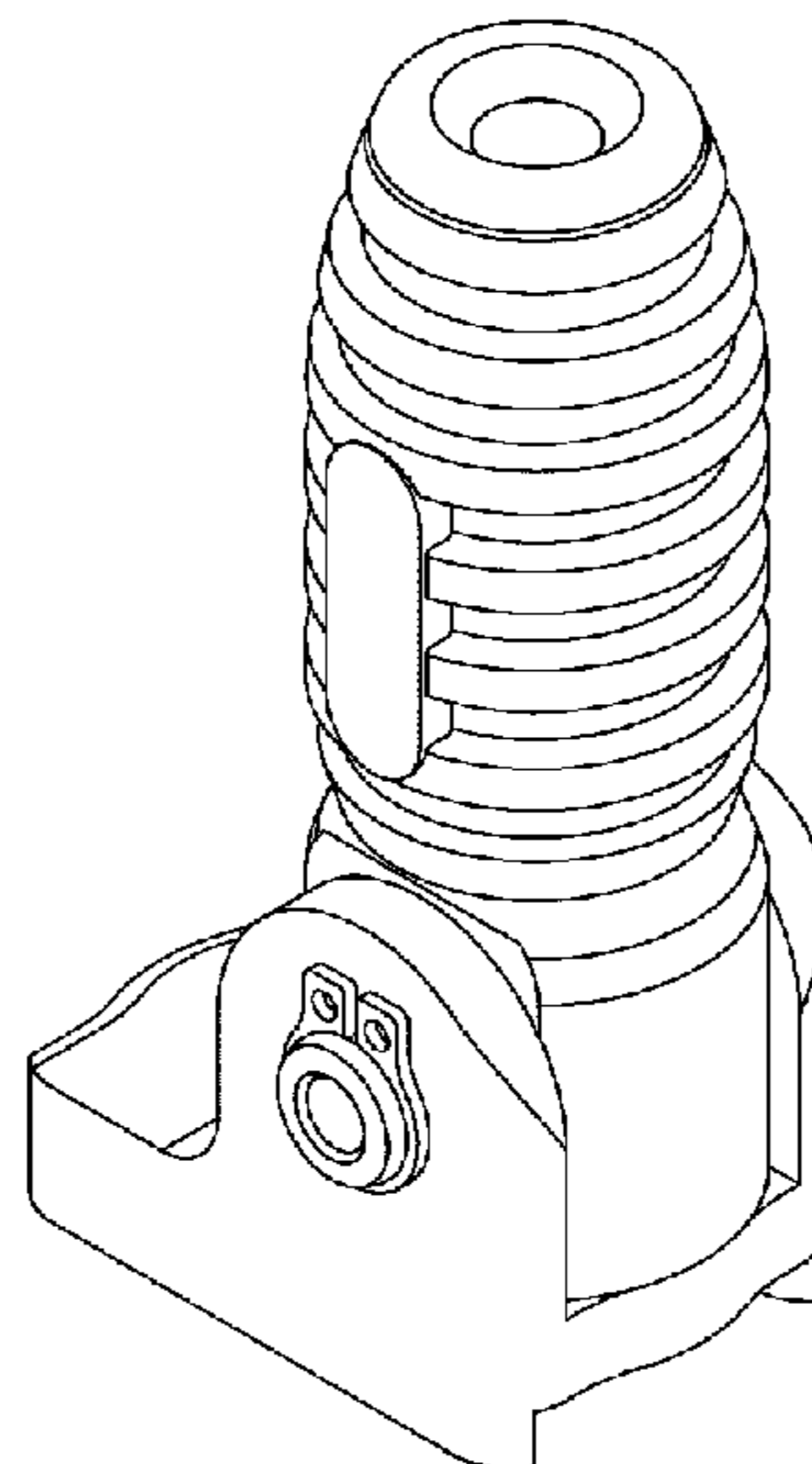
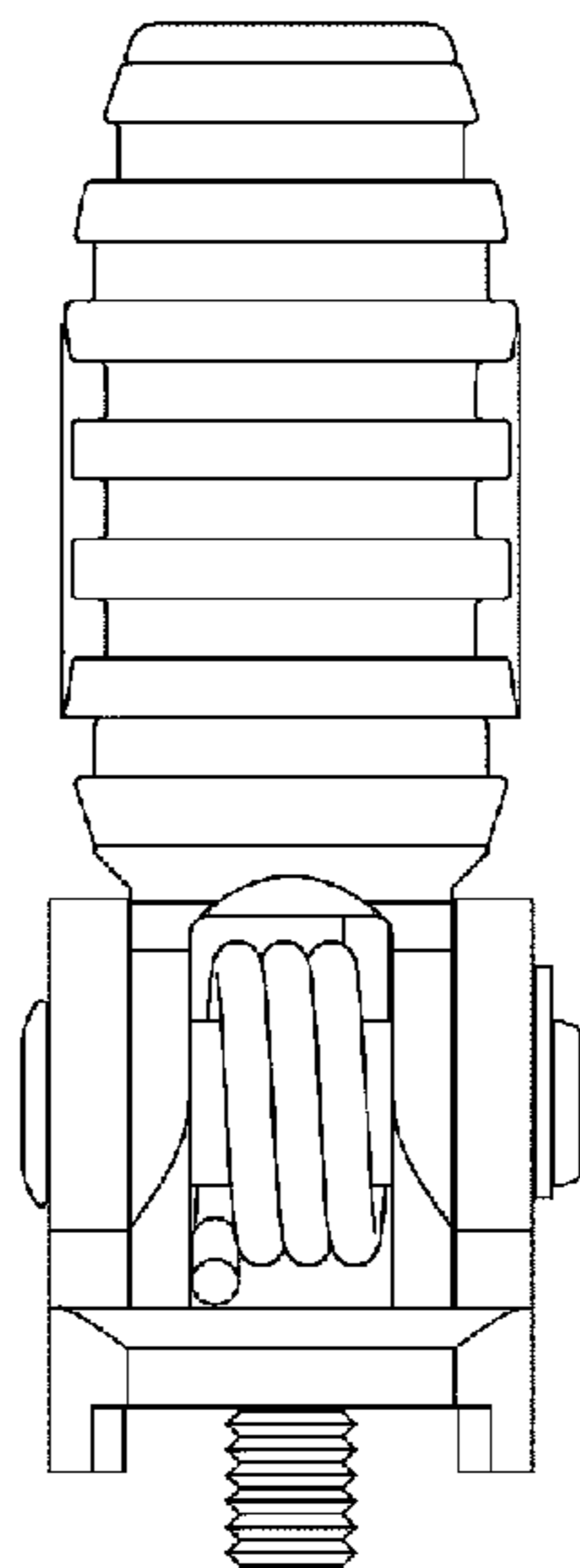
(57) **CLAIM**

I claim the ornamental design for a folding shifter or brake pedal for a motorcycle, as shown and described.

DESCRIPTION

FIG. 1 is a top elevation view of the folding shifter or brake pedal for a motorcycle showing our novel design;
FIG. 2 is a bottom elevation view thereof;
FIG. 3 is a left side view thereof;
FIG. 4 is a right side view thereof;
FIG. 5 is a front view thereof;
FIG. 6 is a rear view thereof;
FIG. 7 is a front and top perspective view thereof; and,
FIG. 8 is a rear and bottom perspective view thereof, wherein the dashed lines represent a shifter arm of a motorcycle and are not part of the claimed invention.

1 Claim, 8 Drawing Sheets



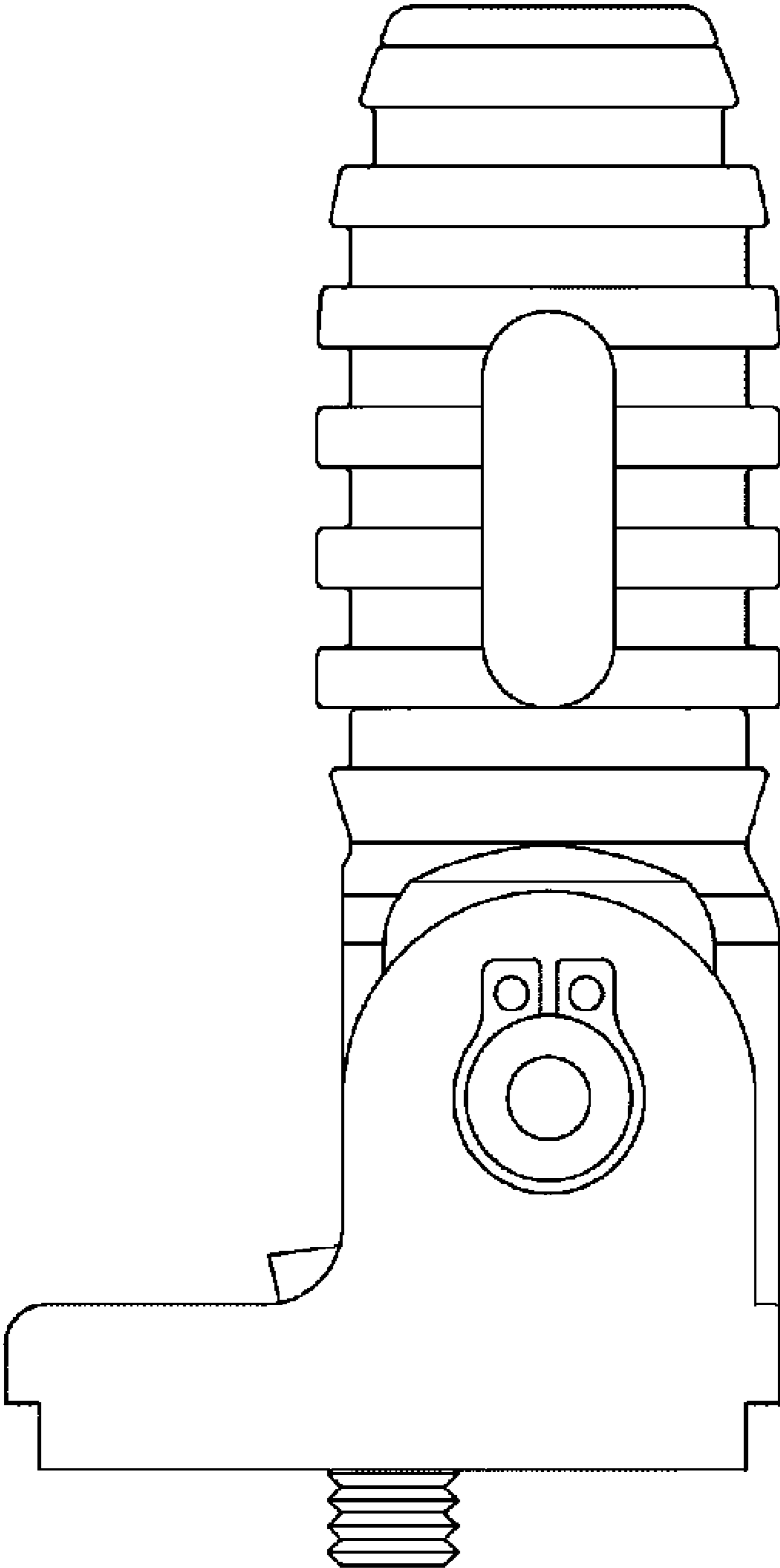


FIG. 1

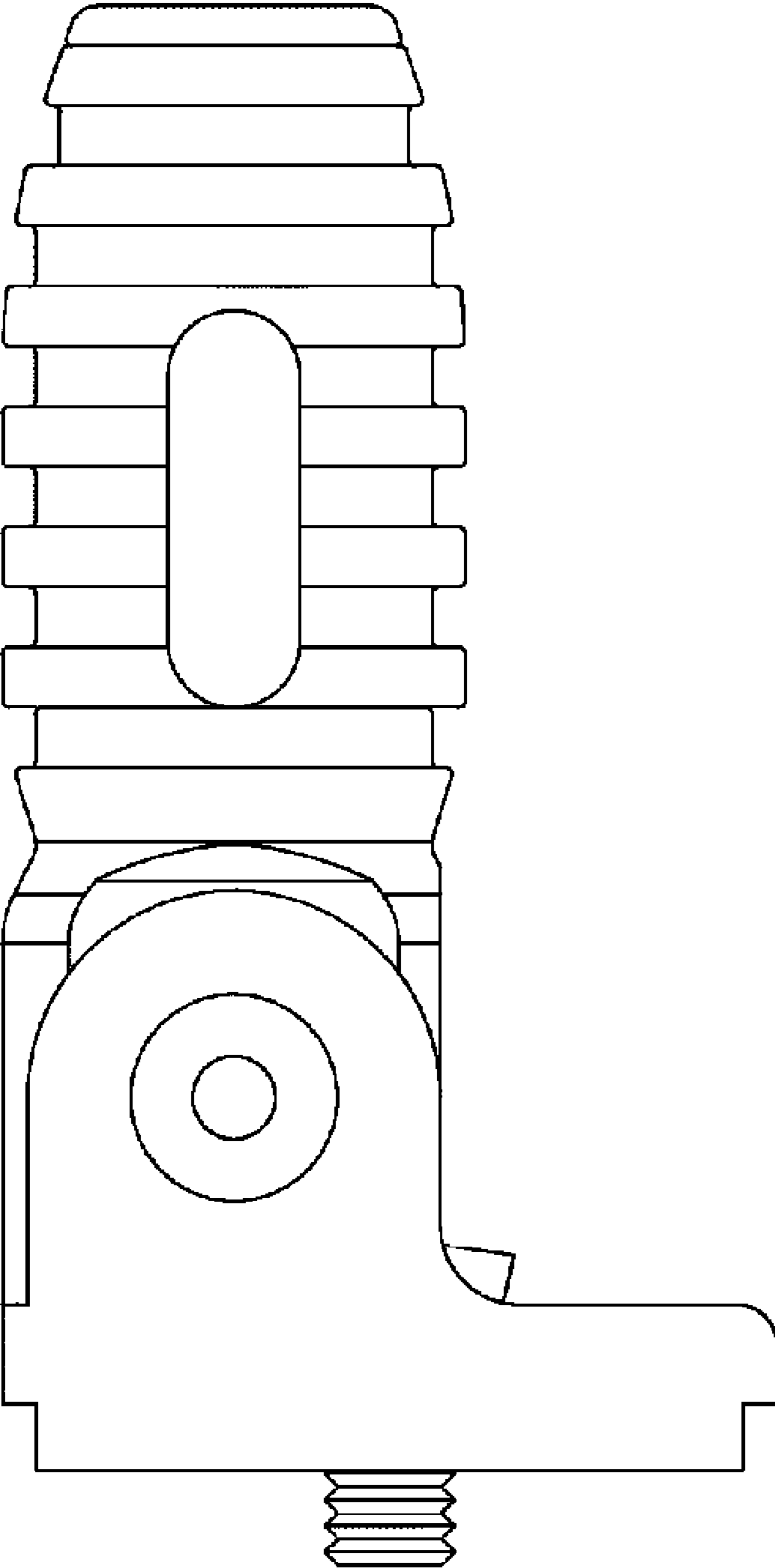


FIG. 2

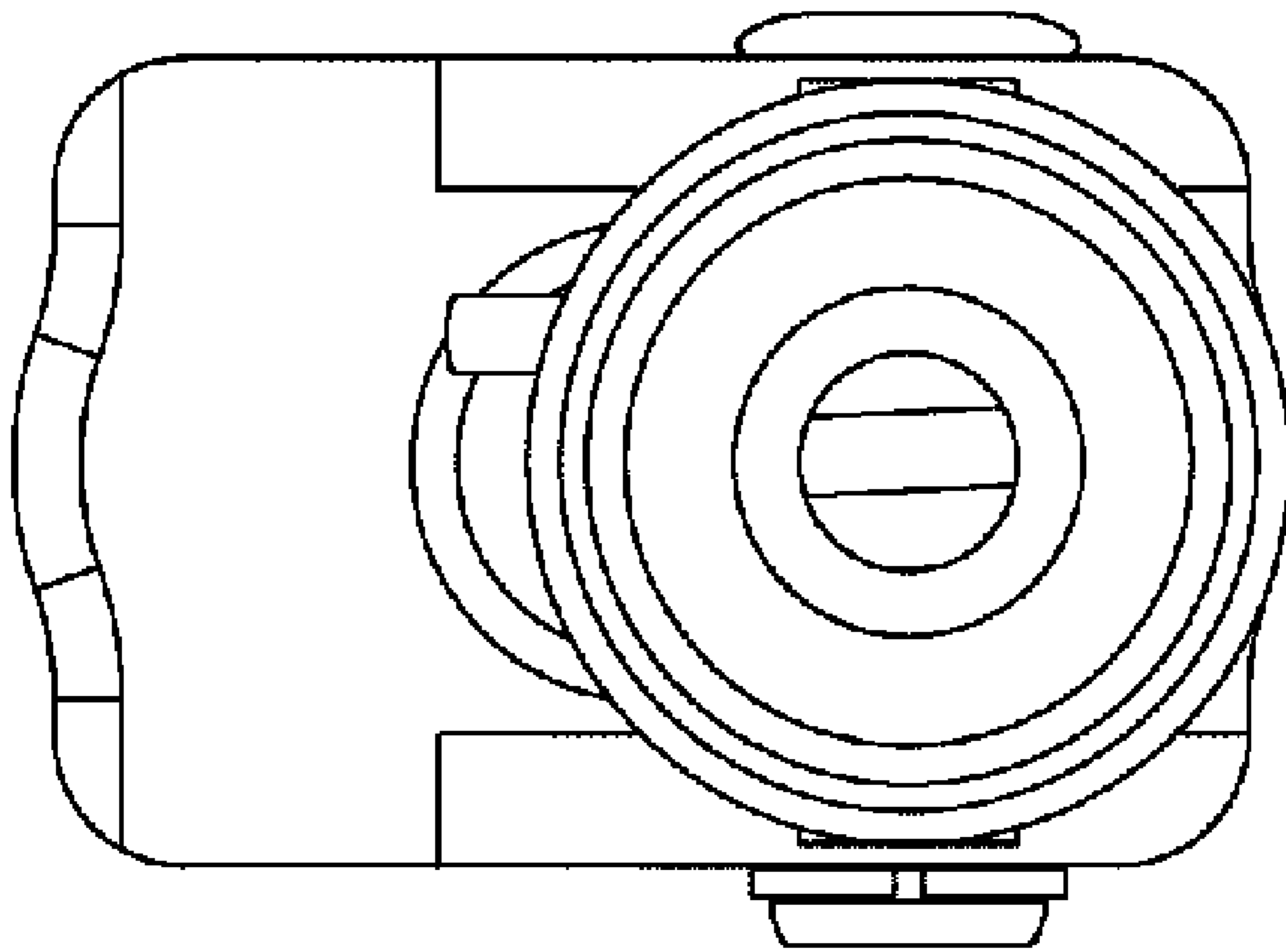


FIG. 3

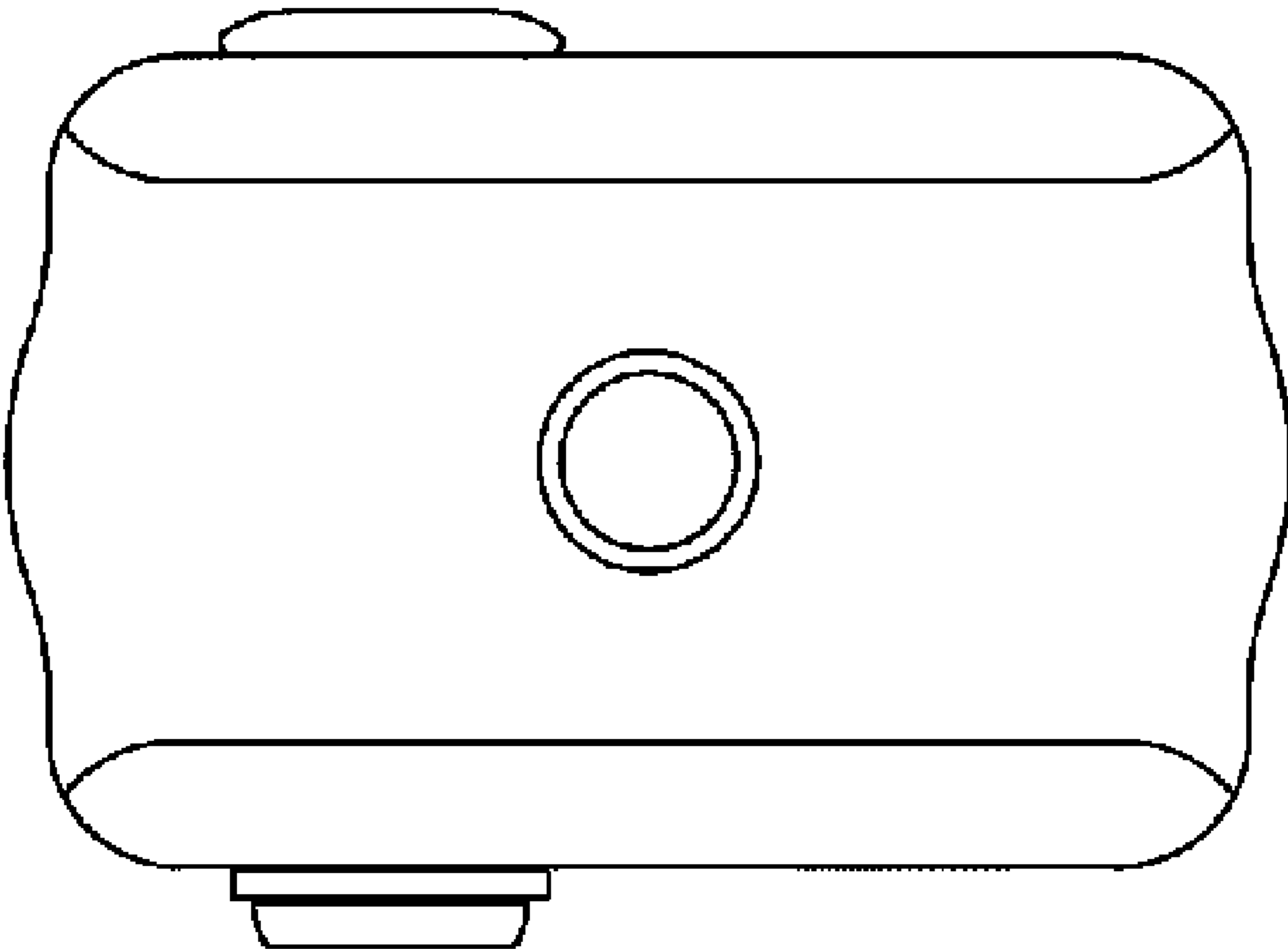


FIG. 4

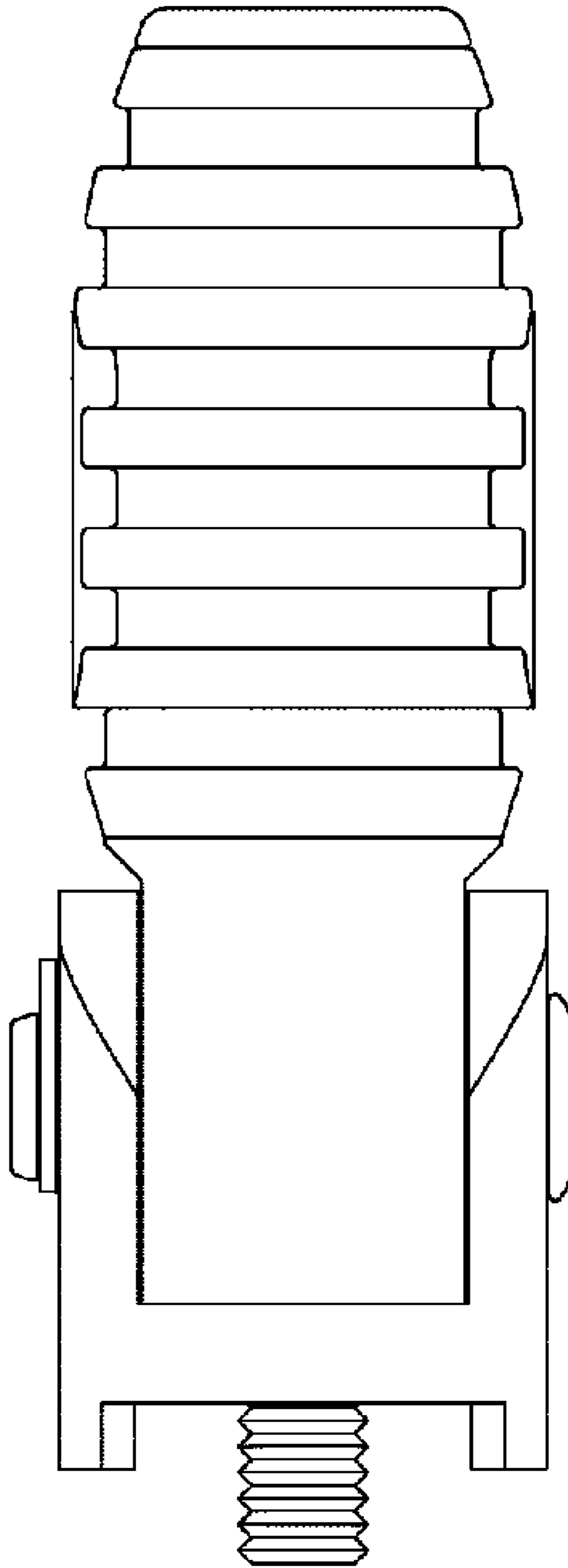


FIG. 5

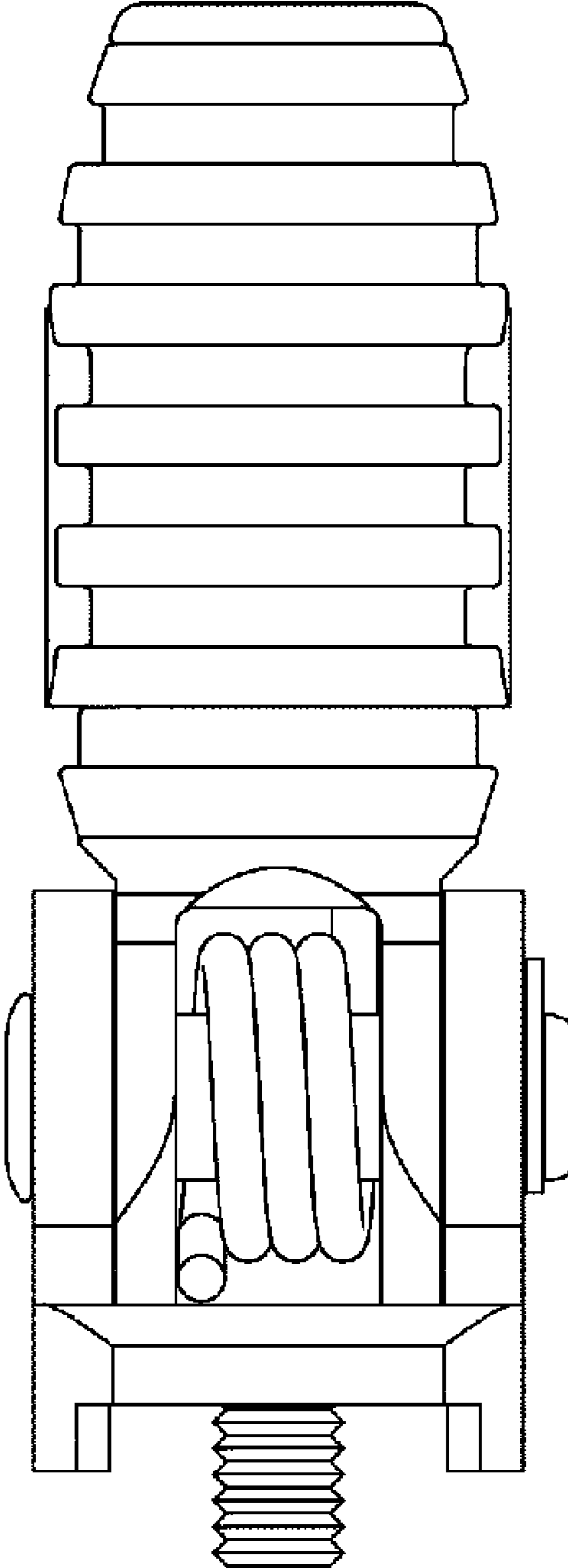


FIG. 6

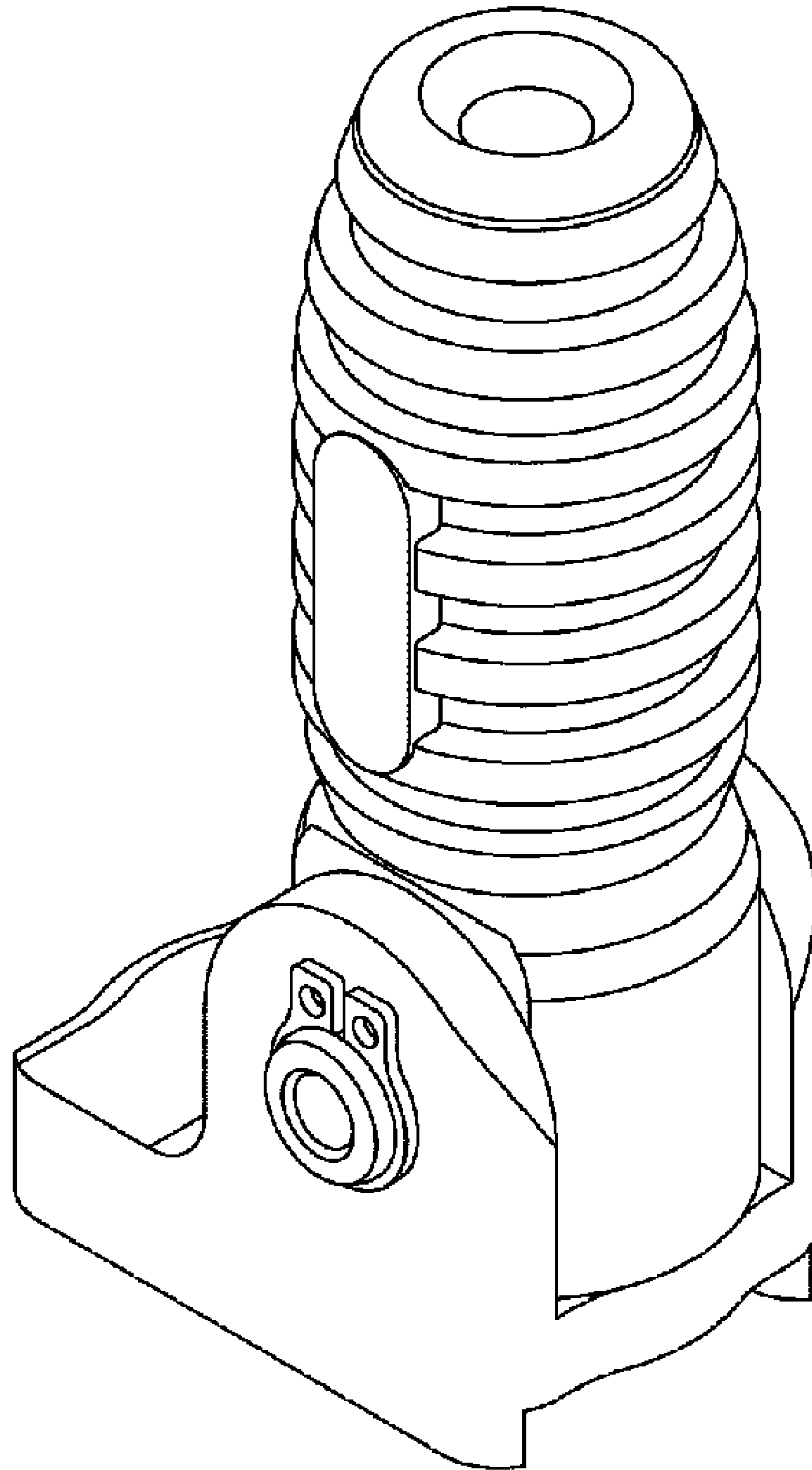


FIG. 7

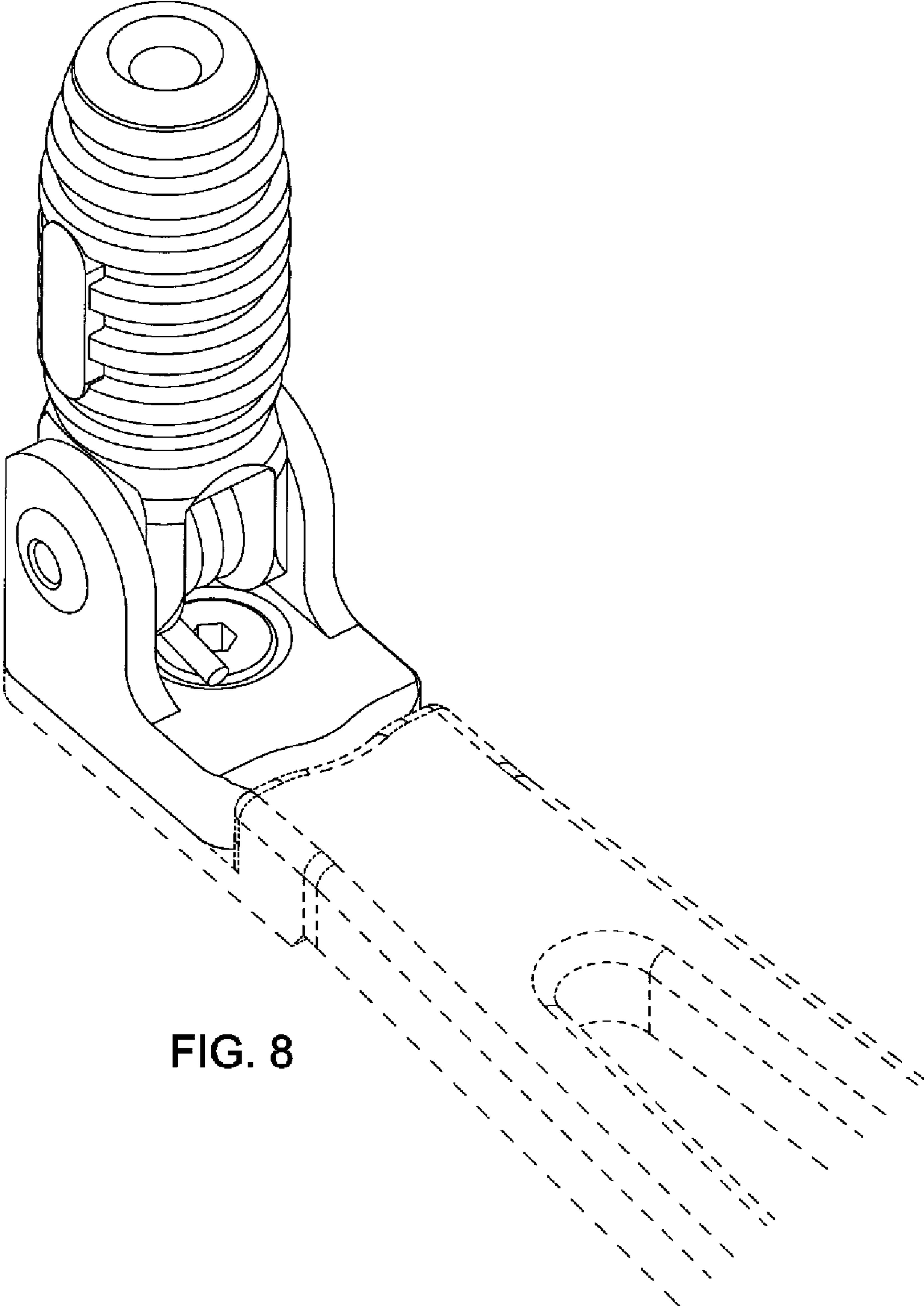


FIG. 8