



US00D637116S

(12) **United States Design Patent**
Kettler

(10) **Patent No.:** **US D637,116 S**

(45) **Date of Patent:** **** May 3, 2011**

(54) **PEDALED QUADRICYCLE**

(75) Inventor: **Joachim Kettler**, Ense (DE)

(73) Assignee: **Heinz Kettler GmbH & Co. KG**, Ense - Parsit (DE)

(**) Term: **14 Years**

(21) Appl. No.: **29/365,745**

(22) Filed: **Jul. 14, 2010**

(30) **Foreign Application Priority Data**

Jan. 15, 2010 (DE) 40 2010 000 222

(51) **LOC (9) Cl.** **12-11**

(52) **U.S. Cl.** **D12/107**

(58) **Field of Classification Search** D12/107,
D12/111-113; 280/209, 267, 282, 200, 263,
280/259, 265, 828; D21/424-426, 432, 533,
D21/538, 433; 446/440, 451, 431, 460, 465,
446/466, 468-471

See application file for complete search history.

(56) **References Cited**

U.S. PATENT DOCUMENTS

D146,542 S * 4/1947 Hecht D12/107
D146,543 S * 4/1947 Hecht D12/107

D190,114 S * 4/1961 Baxter et al. D12/88
D191,586 S * 10/1961 Byrn et al. D12/117
D194,324 S * 1/1963 Schreckengost D12/107
4,165,094 A * 8/1979 Onda 280/261
4,335,899 A * 6/1982 Hiscock 280/259
4,787,647 A * 11/1988 Oh 280/240
D488,194 S * 4/2004 Fox et al. D21/424
D611,106 S * 3/2010 van Beek D21/424

* cited by examiner

Primary Examiner — Susan M Lee

Assistant Examiner — Linda G. Brooks

(74) *Attorney, Agent, or Firm* — Laurence A. Greenberg;
Werner H. Stemer; Ralph E. Locher

(57) **CLAIM**

The ornamental design for a pedaled quadricycle, as shown and described.

DESCRIPTION

FIG. 1 is a rear, perspective view of a pedaled quadricycle, showing my new design;

FIG. 2 is a rear, right-side perspective view thereof;

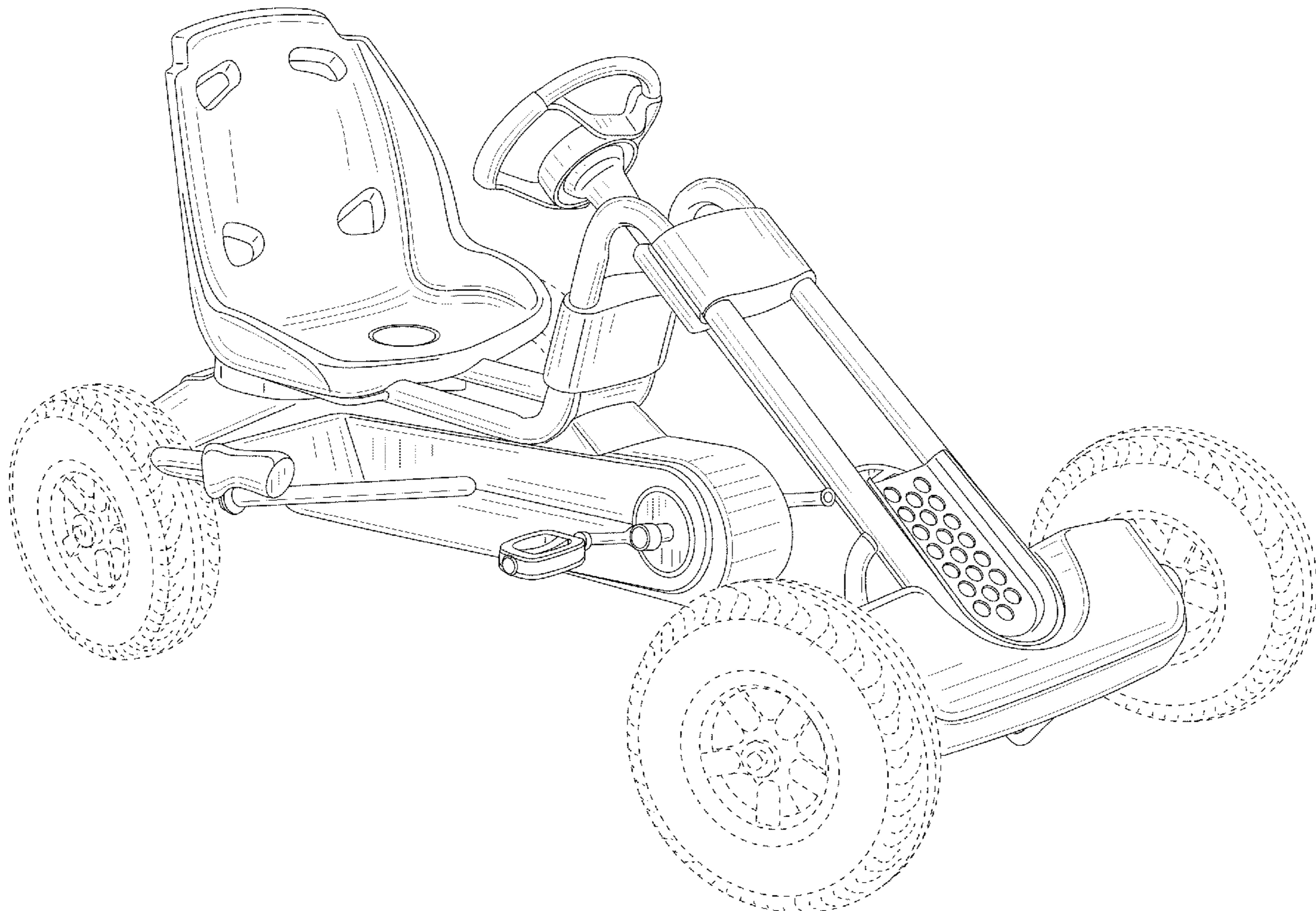
FIG. 3 is a right-side, perspective view thereof;

FIG. 4 is a front, right-side perspective view thereof; and,

FIG. 5 is a front, perspective view thereof.

In the drawings, the broken lines show details that form no part of the claim.

1 Claim, 5 Drawing Sheets



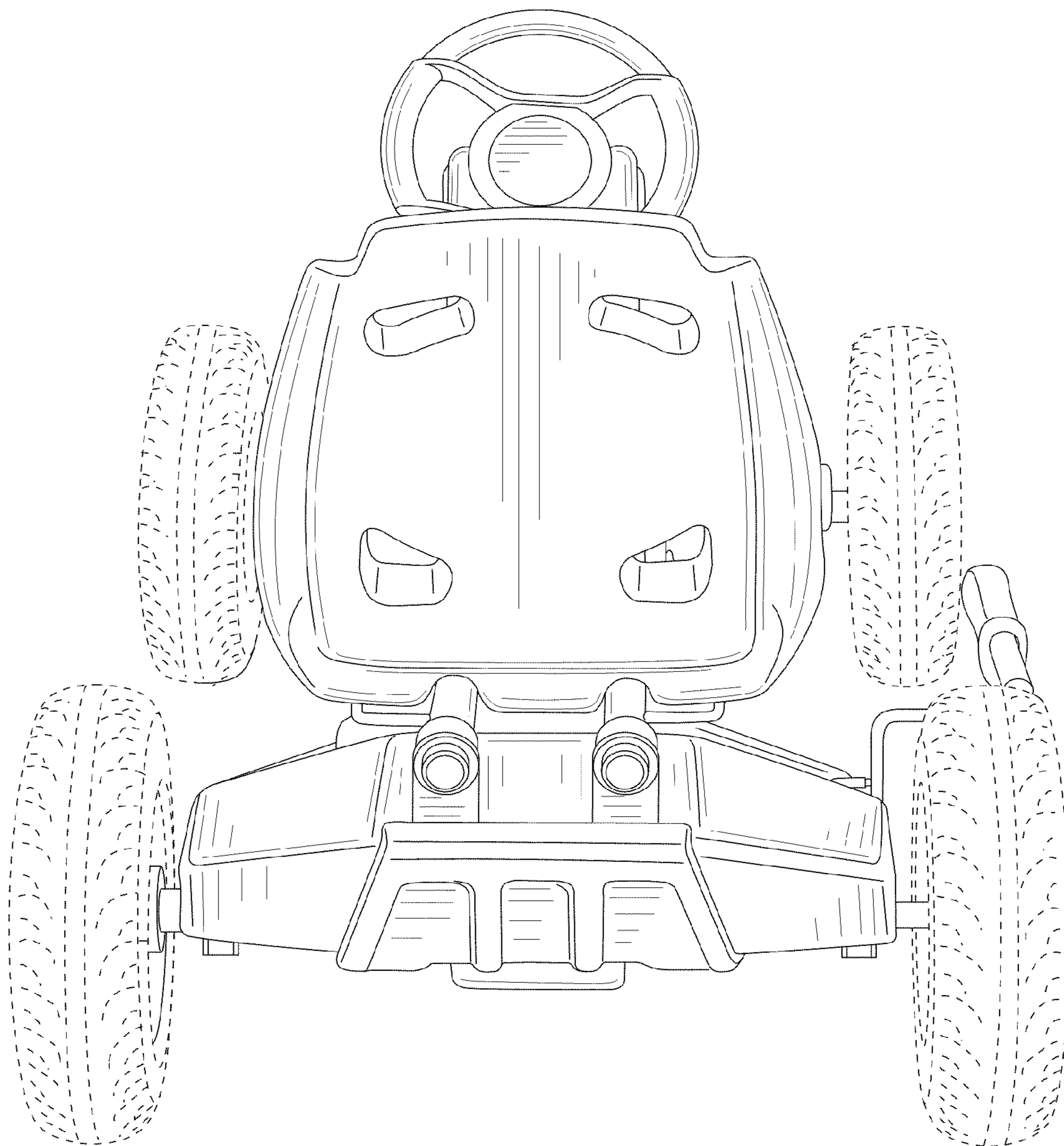


FIG. 1

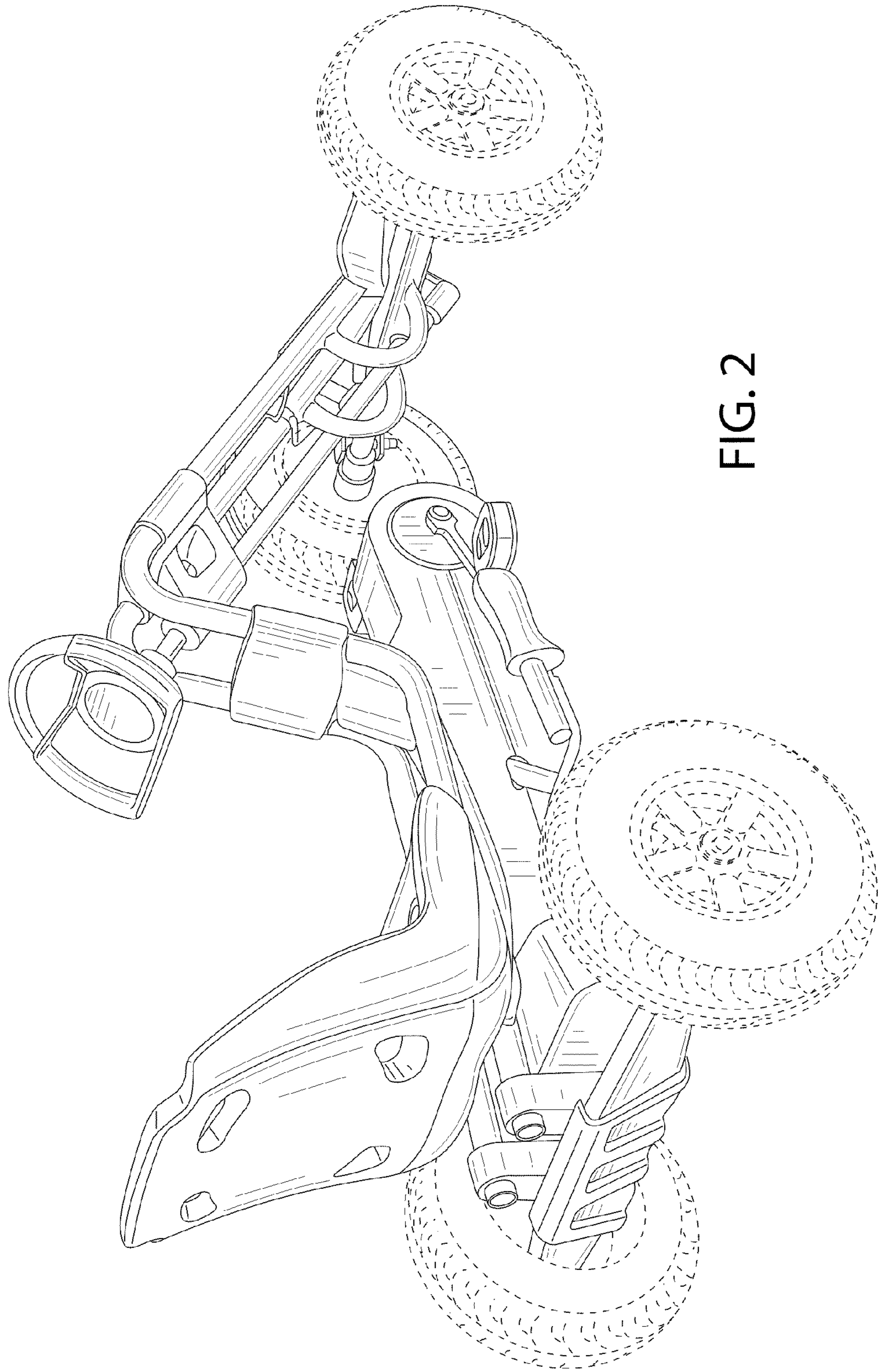


FIG. 2

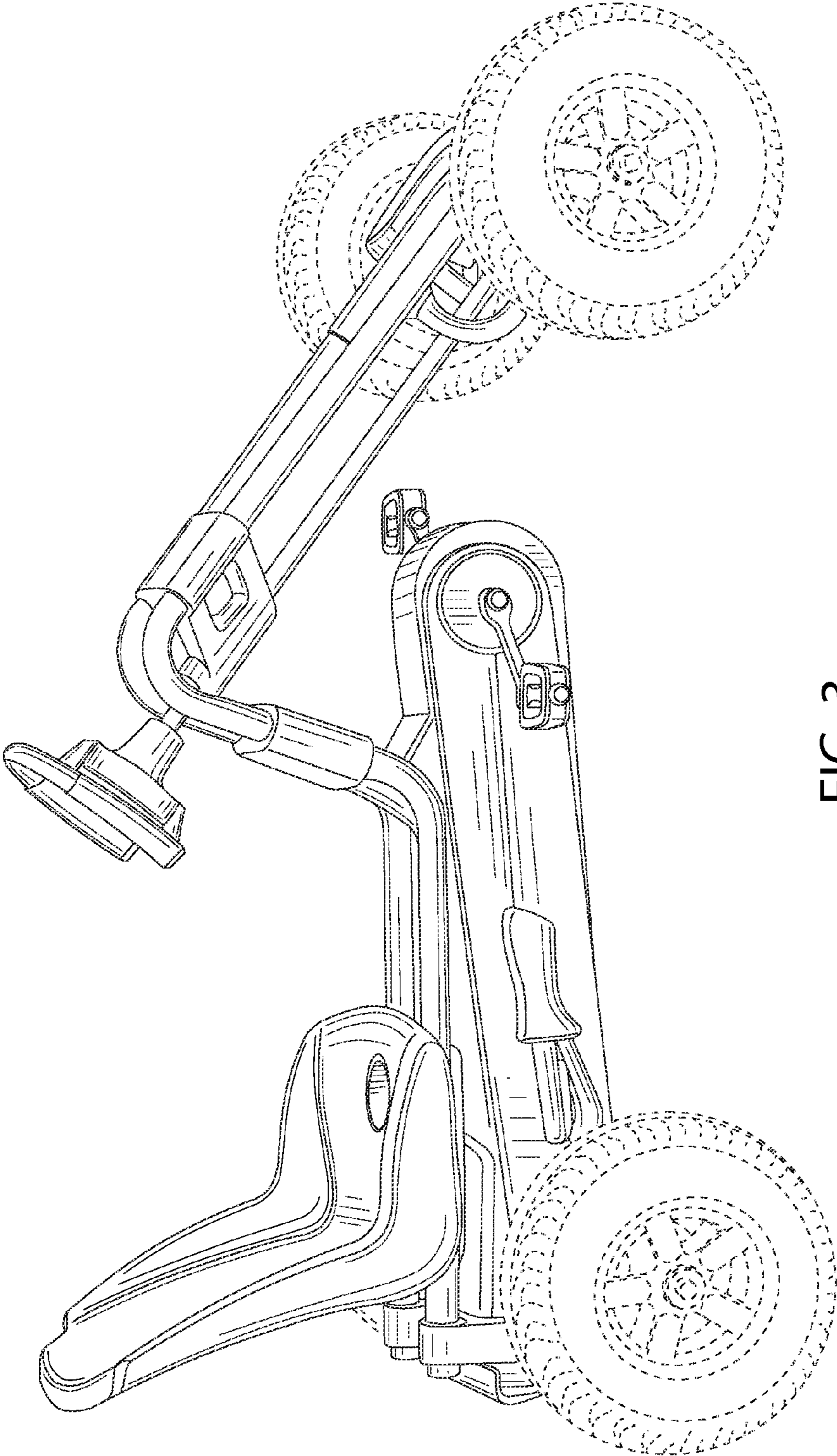


FIG. 3

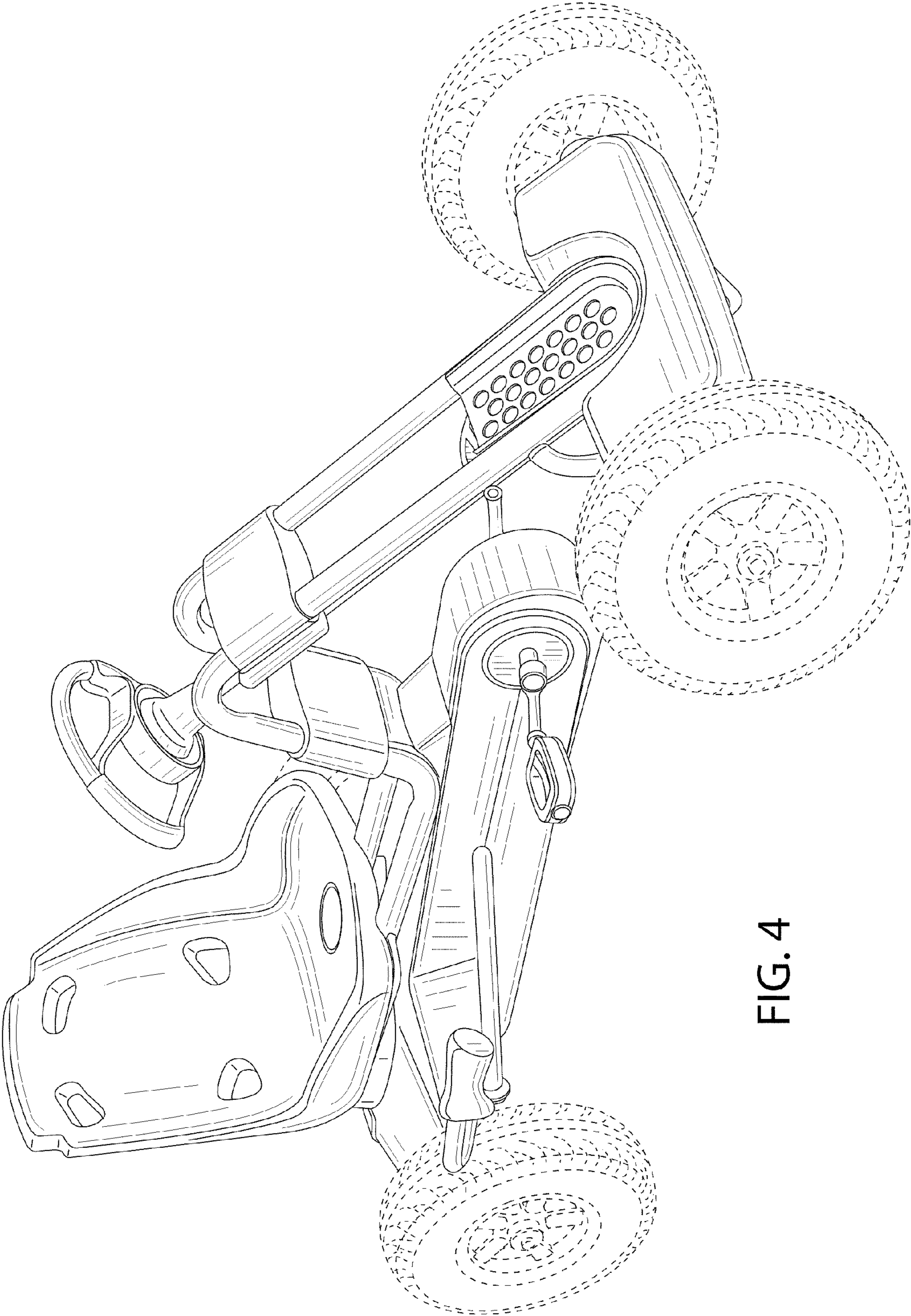


FIG. 4

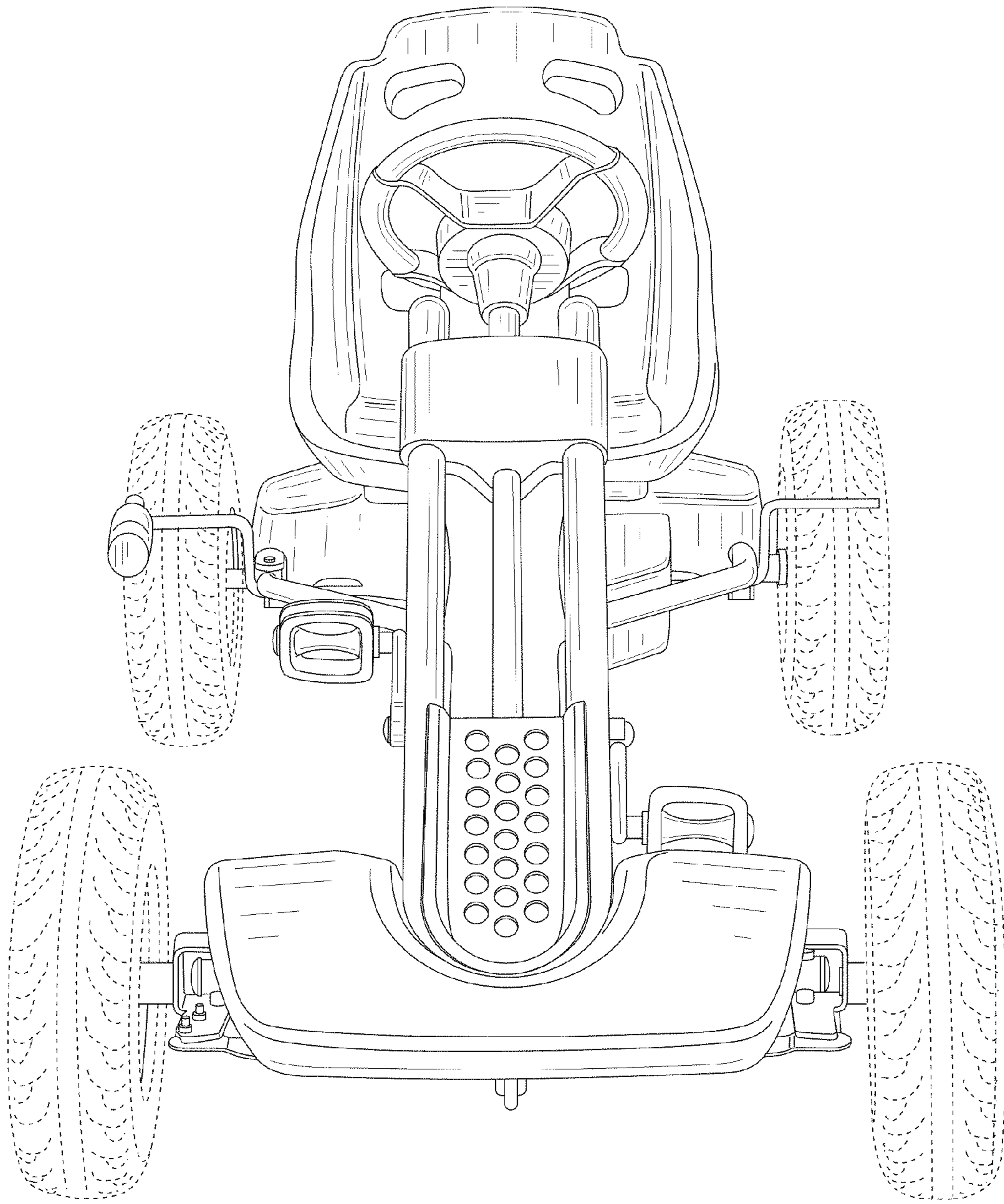


FIG. 5

UNITED STATES PATENT AND TRADEMARK OFFICE
CERTIFICATE OF CORRECTION

PATENT NO. : D637,116 S
APPLICATION NO. : 29/365745
DATED : May 3, 2011
INVENTOR(S) : Joachim Kettler

Page 1 of 3

It is certified that error appears in the above-identified patent and that said Letters Patent is hereby corrected as shown below:

Title page, illustrative fig. 4 should be deleted and substitute therefore the attached title page consisting of illustrative fig. 4.

In the Drawings

Fig. 4 as shown on sheet 4 of 5 should be deleted and substitute therefore the attached fig. 4 as shown on attached page 3.

Signed and Sealed this
Twenty-fifth Day of October, 2011

A handwritten signature in black ink that reads "David J. Kappos". The signature is written in a cursive, slightly slanted style.

David J. Kappos
Director of the United States Patent and Trademark Office

(12) **United States Design Patent** (10) **Patent No.:** **US D637,116 S**
Kettler (45) **Date of Patent:** **** May 3, 2011**

(54) **PEDALED QUADRICYCLE**
 (75) **Inventor:** **Joachim Kettler, Ense (DE)**
 (73) **Assignee:** **Heinz Kettler GmbH & Co. KG, Ense - Parsit (DE)**
 (**) **Term:** **14 Years**
 (21) **Appl. No.:** **29/365,745**
 (22) **Filed:** **Jul. 14, 2010**
 (30) **Foreign Application Priority Data**

Jan. 15, 2010 (DE) 40 2010 000 222
 (51) **LOC (9) Cl.** **12-11**
 (52) **U.S. Cl.** **D12/107**
 (58) **Field of Classification Search** D12/107,
 D12/111-113; 280/209, 267, 282, 200, 263,
 280/259, 265, 828; D21/424-426, 432, 533,
 D21/538, 433; 446/440, 451, 431, 460, 465,
 446/466, 468-471
 See application file for complete search history.

(56) **References Cited**
U.S. PATENT DOCUMENTS
 D146,542 S * 4/1947 Hecht D12/107
 D146,543 S * 4/1947 Hecht D12/107

D190,114 S * 4/1961 Baxter et al. D12/88
 D191,586 S * 10/1961 Byrn et al. D12/117
 D194,324 S * 1/1963 Schreckengost D12/107
 4,165,094 A * 8/1979 Onda 280/261
 4,335,899 A * 6/1982 Hiscock 280/259
 4,787,647 A * 11/1988 Oh 280/240
 D488,194 S * 4/2004 Fox et al. D21/424
 D611,106 S * 3/2010 van Beek D21/424

* cited by examiner
Primary Examiner — Susan M Lee
Assistant Examiner — Linda G. Brooks
 (74) *Attorney, Agent, or Firm* : Laurence A. Greenberg;
 Werner H. Stemer; Ralph E. Locher

(57) **CLAIM**
 The ornamental design for a pedaled quadricycle, as shown and described.

DESCRIPTION
 FIG. 1 is a rear, perspective view of a pedaled quadricycle, showing my new design;
 FIG. 2 is a rear, right-side perspective view thereof;
 FIG. 3 is a right-side, perspective view thereof;
 FIG. 4 is a front, right-side perspective view thereof; and,
 FIG. 5 is a front, perspective view thereof.
 In the drawings, the broken lines show details that form no part of the claim.

1 Claim, 5 Drawing Sheets

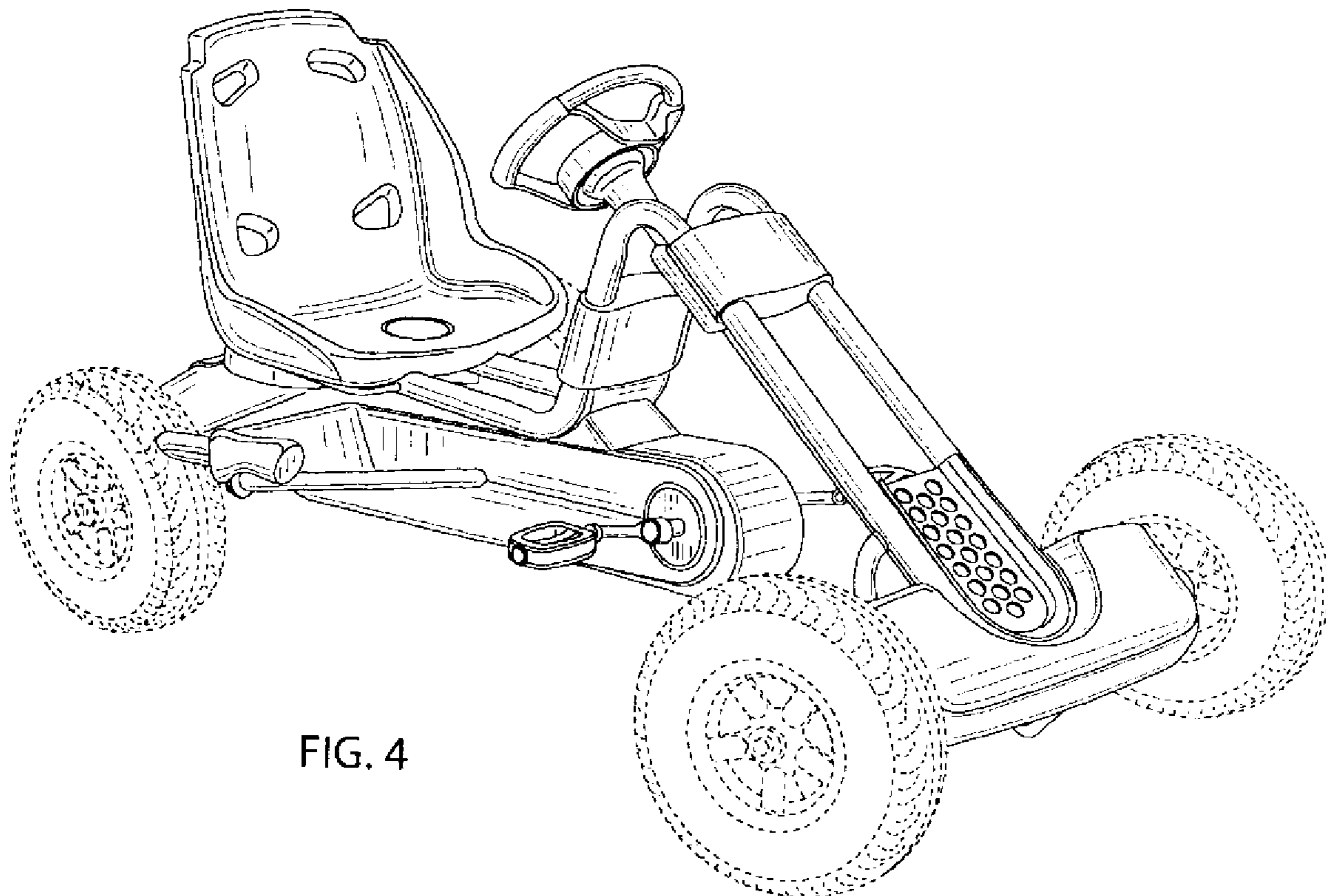


FIG. 4

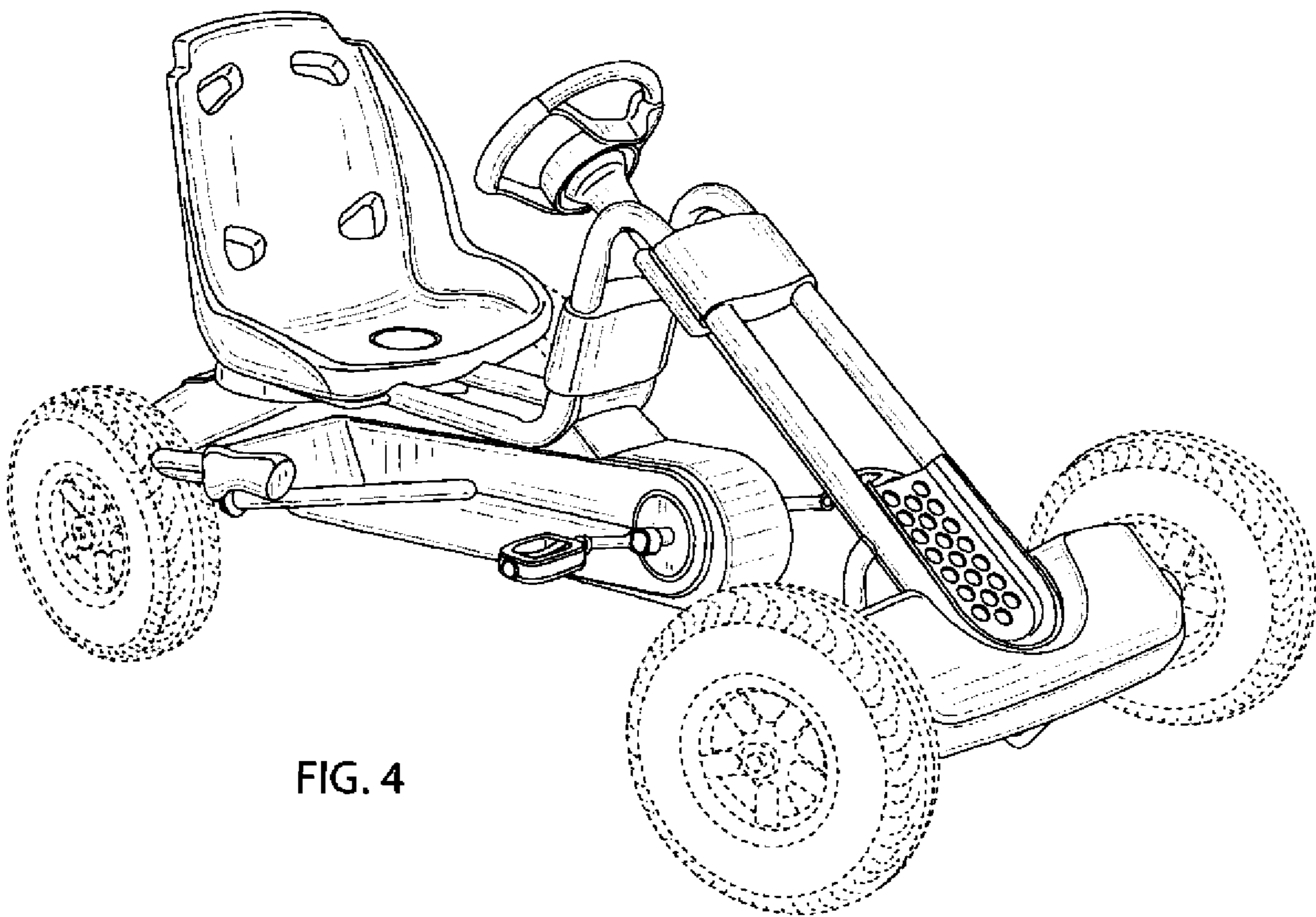


FIG. 4