



US00D637108S

(12) **United States Design Patent**
Rieseler

(10) **Patent No.:** **US D637,108 S**

(45) **Date of Patent:** **** May 3, 2011**

(54) **SLED**

(75) **Inventor:** **Henning Rieseler, Zell Am See (AT)**

(73) **Assignee:** **Porsche Lizenz-und
Handelsgesellschaft mbH & Co. KG,
Bietigheim-Bissingen (DE)**

(**) **Term:** **14 Years**

(21) **Appl. No.:** **29/331,705**

(22) **Filed:** **Jan. 30, 2009**

(30) **Foreign Application Priority Data**

Aug. 1, 2008 (EP) 981170

(51) **LOC (9) Cl.** **12-14**

(52) **U.S. Cl.** **D12/6**

(58) **Field of Classification Search** D12/6,
D12/7, 9-11, 1, 101, 302; D21/425, 483,
D21/767; 280/28, 8, 16, 26

See application file for complete search history.

(56) **References Cited**

U.S. PATENT DOCUMENTS

628,863 A * 7/1899 Spalding 280/26

909,775 A * 1/1909 Ford 280/28

2,016,187 A * 10/1935 Vincent 280/28
2,539,209 A * 1/1951 Shakowitz 280/16
2,914,334 A * 11/1959 Michnoff 280/8
D283,112 S * 3/1986 McFrisby D12/10
D421,579 S * 3/2000 Polland D12/6
D542,712 S * 5/2007 Steinmann D12/6

* cited by examiner

Primary Examiner — T. Chase Nelson

Assistant Examiner — Ania K Dworzecka

(74) *Attorney, Agent, or Firm* — RatnerPrestia

(57) **CLAIM**

The ornamental design for a sled, as shown and described.

DESCRIPTION

FIG. 1 is a right side elevation view of a sled.

FIG. 2 is a left side elevation view thereof.

FIG. 3 is a perspective view thereof.

FIG. 4 is a top plan view thereof.

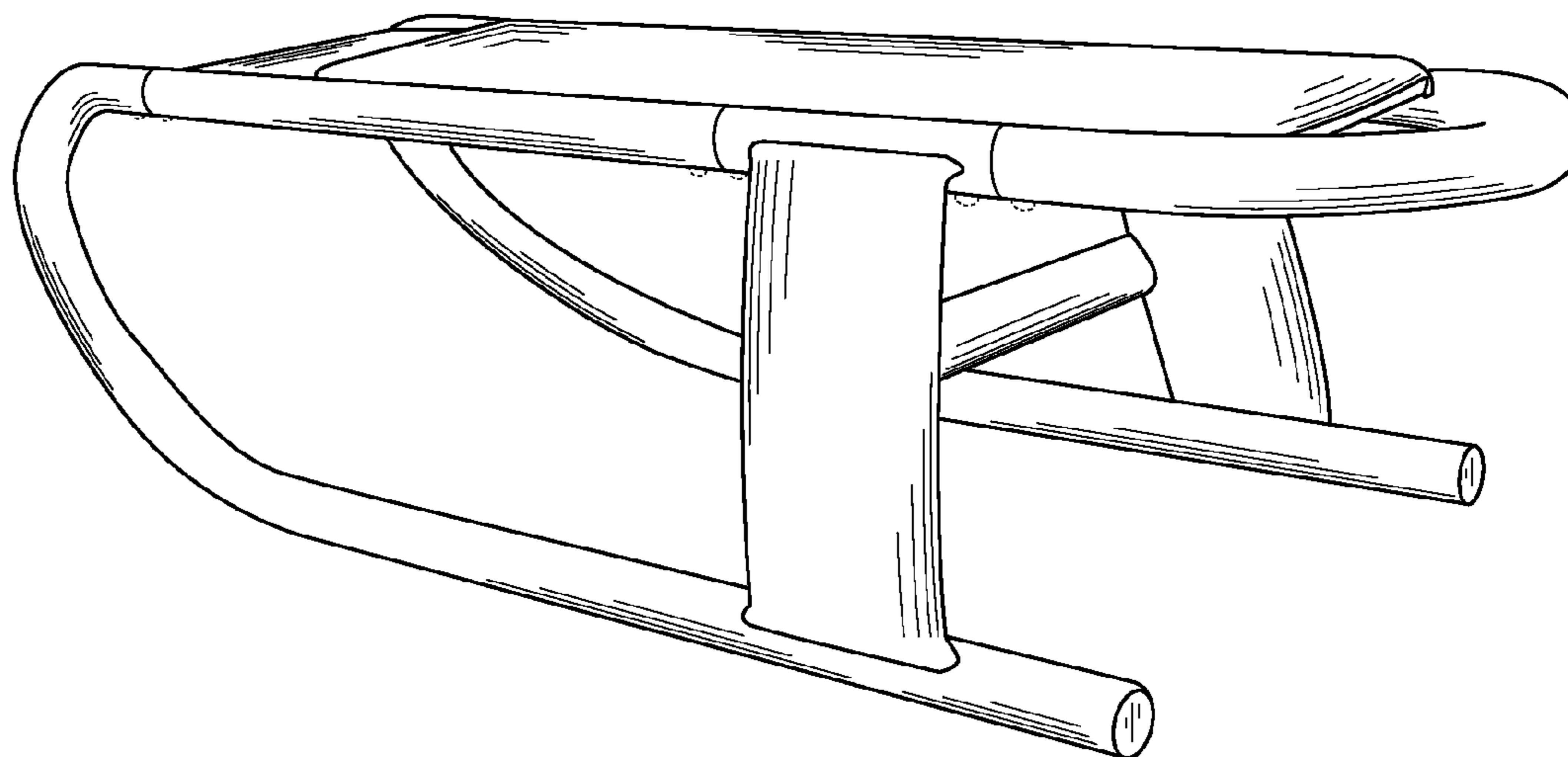
FIG. 5 is a front elevation view thereof.

FIG. 6 is a rear elevation view thereof; and,

FIG. 7 is a bottom plan view thereof.

Any broken lines in the drawings are for illustration only and form no part of the claimed design.

1 Claim, 4 Drawing Sheets



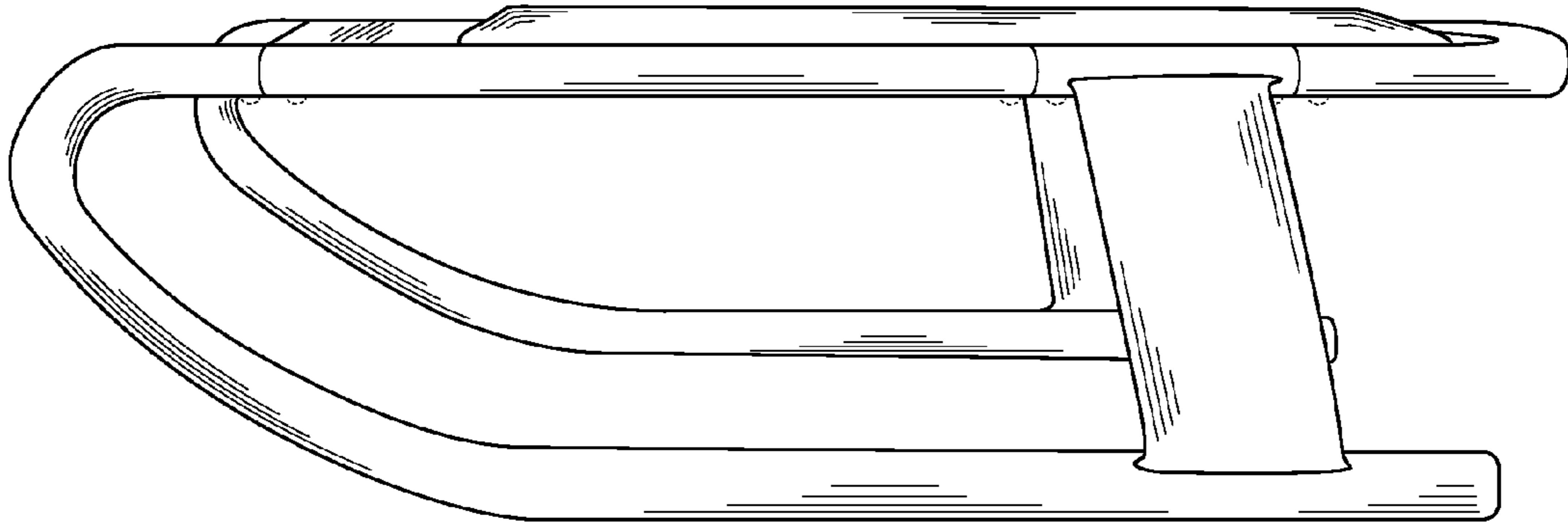


FIG. 1

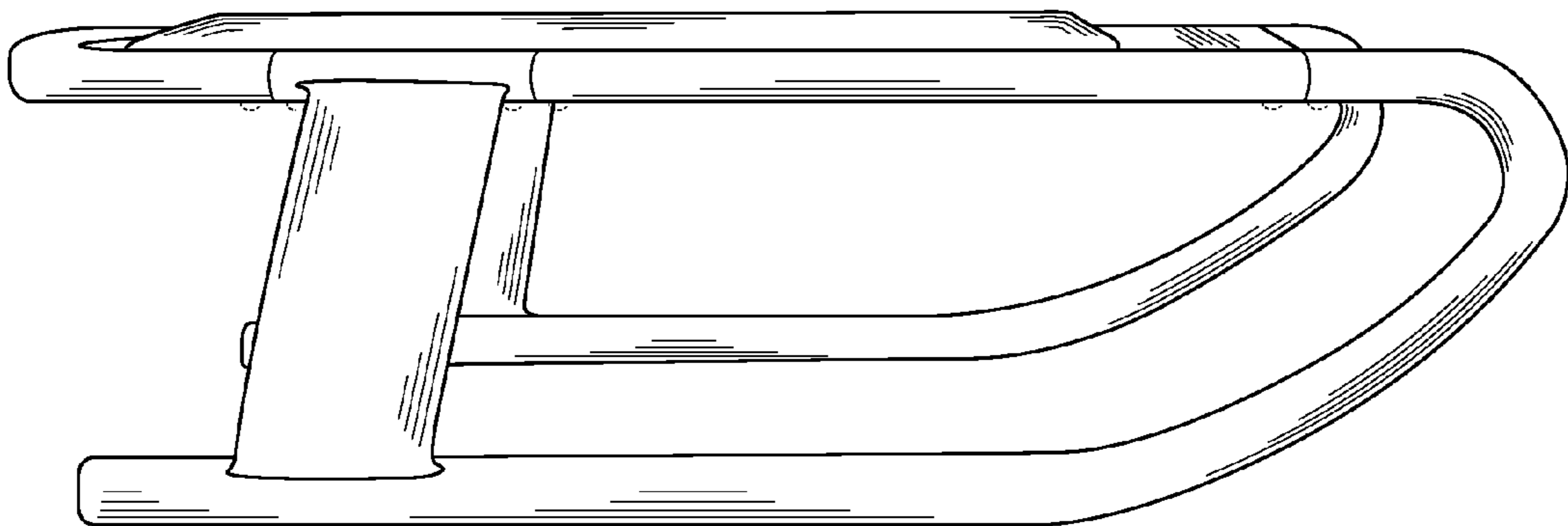


FIG. 2

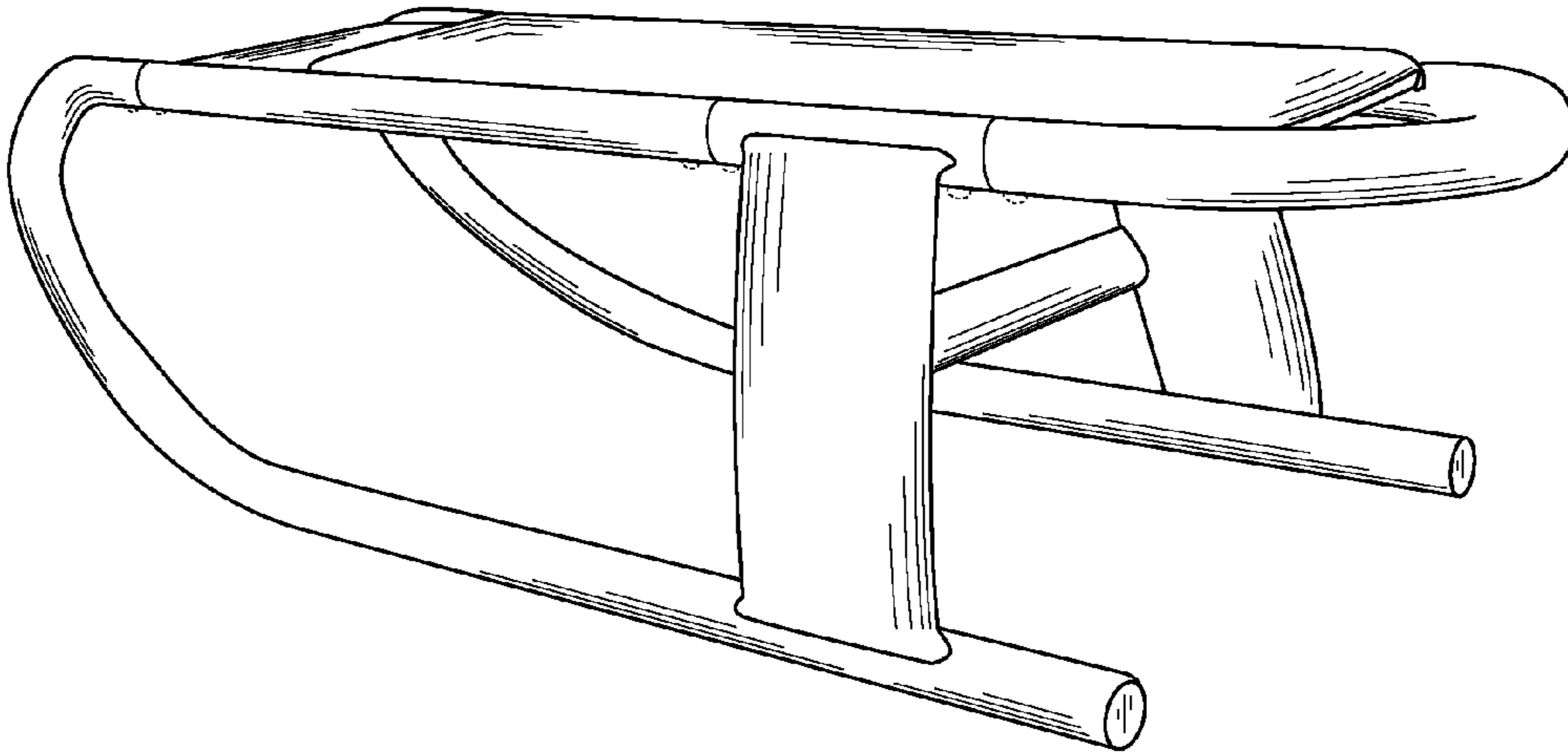


FIG. 3

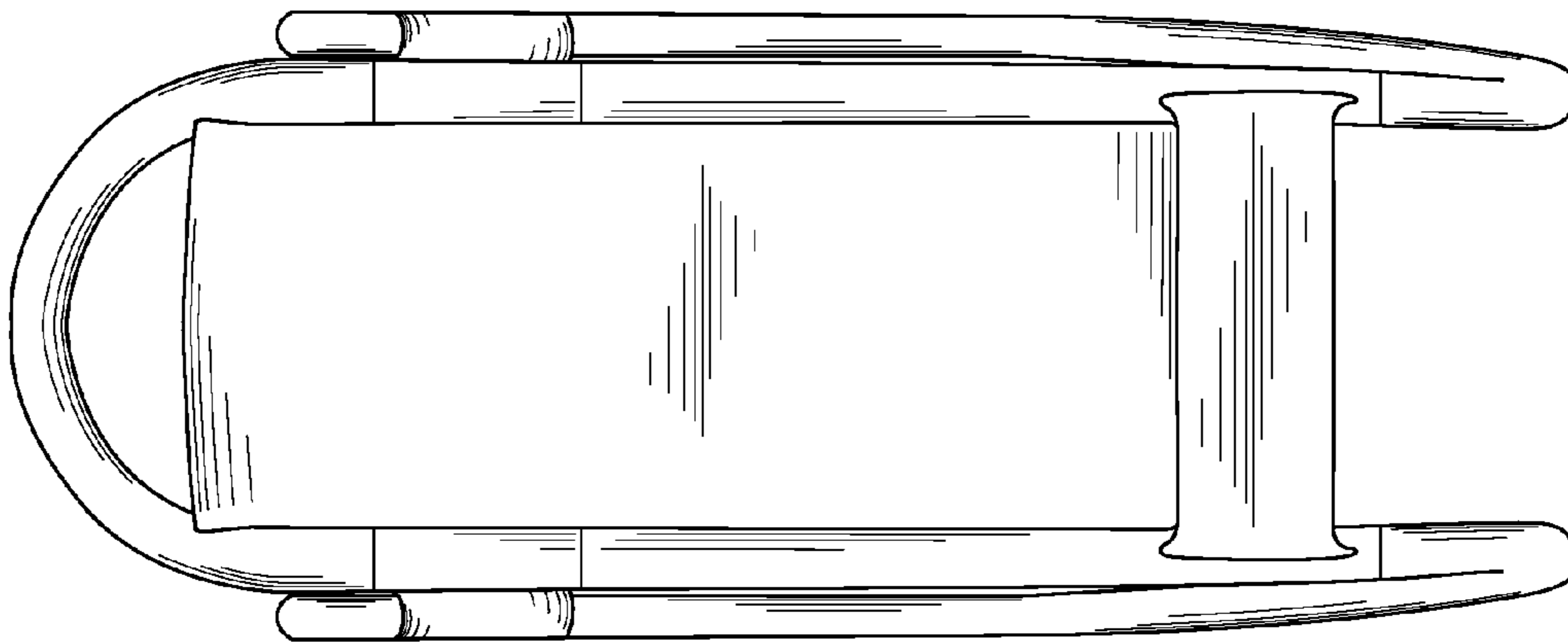


FIG. 4

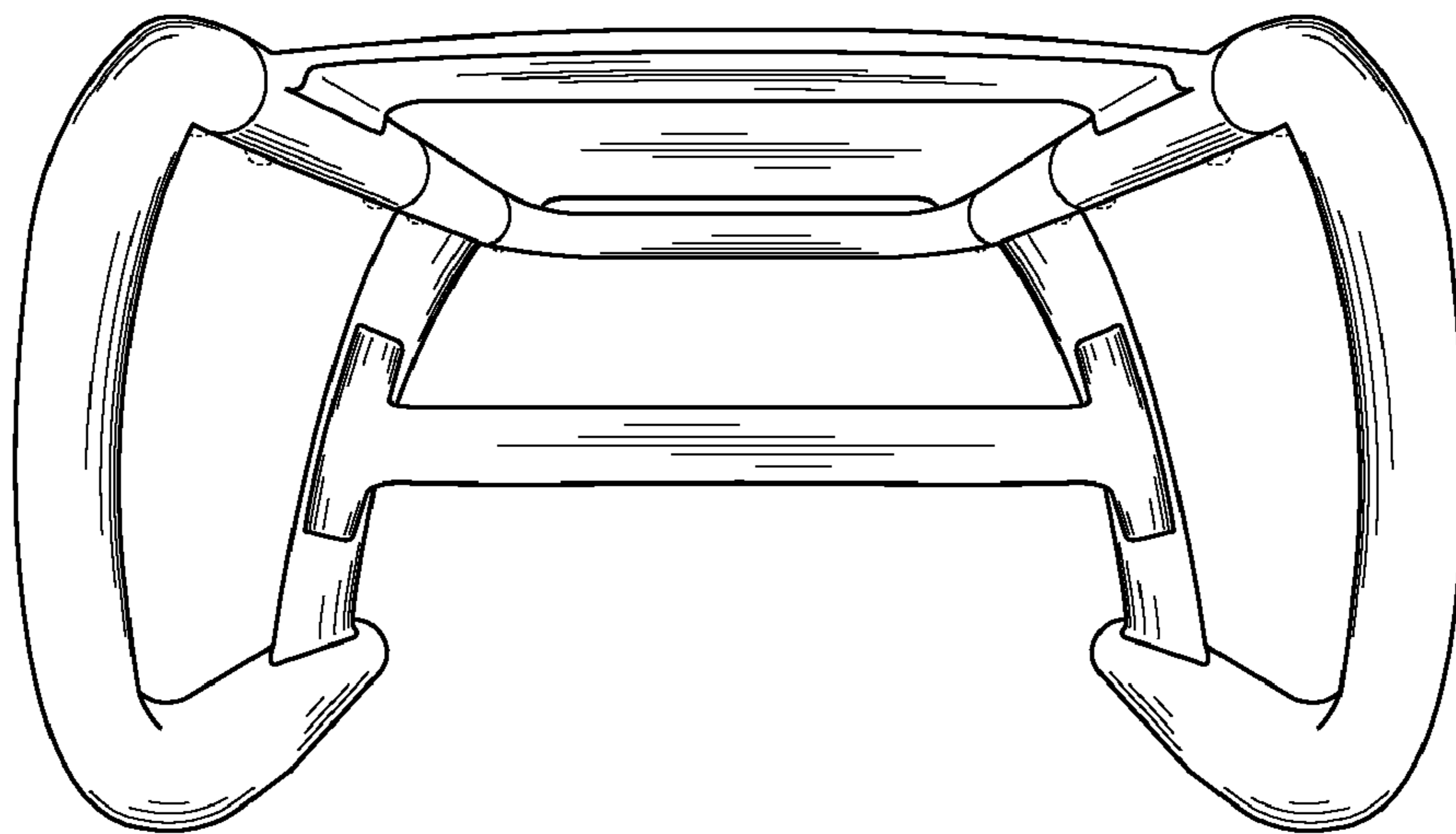


FIG. 5

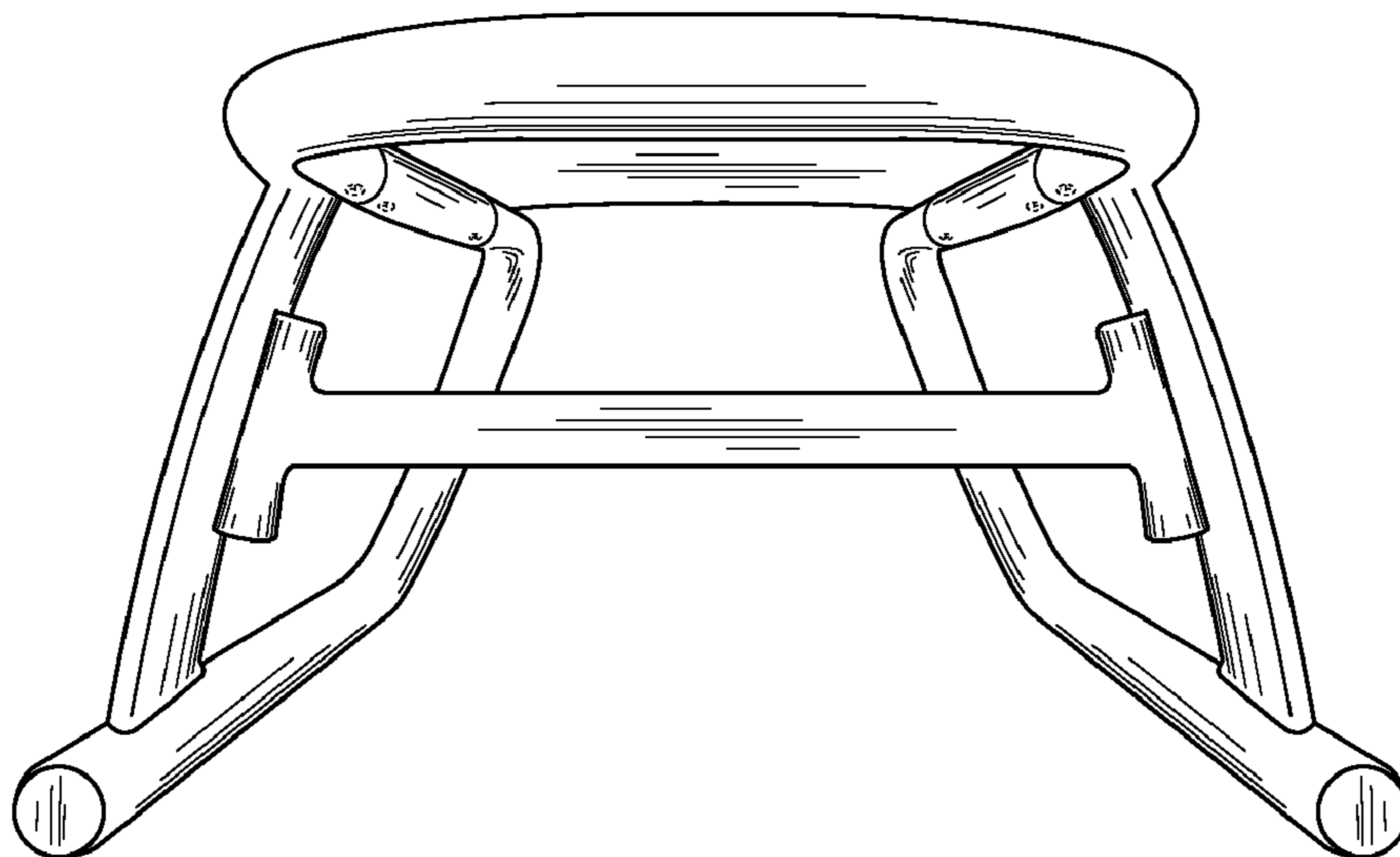


FIG. 6

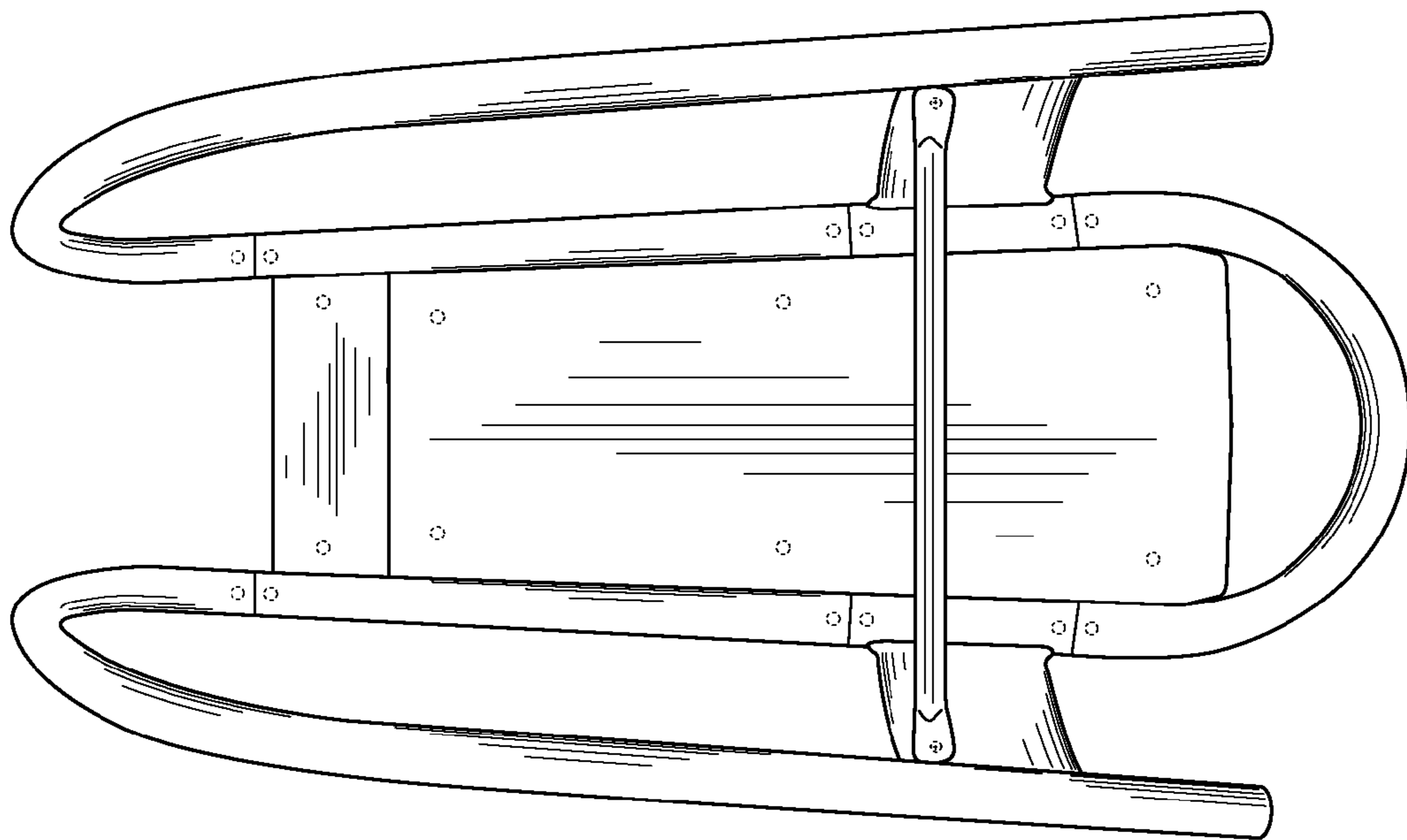


FIG. 7