



US00D637106S

(12) **United States Design Patent**
Babyak

(10) **Patent No.:** **US D637,106 S**

(45) **Date of Patent:** **** May 3, 2011**

(54) **DETACHABLE JEWELRY SETTING**

(75) Inventor: **Josh Babyak**, Plantation, FL (US)

(73) Assignee: **Babyak Holdings LLC**, Plantation, FL (US)

(**) Term: **14 Years**

(21) Appl. No.: **29/375,143**

(22) Filed: **Sep. 17, 2010**

(51) **LOC (9) Cl.** **11-02**

(52) **U.S. Cl.** **D11/91; D11/1**

(58) **Field of Classification Search** D11/1-25,
D11/79, 89-92, 86, 210, 211; D2/896, 946,
D2/969, 970; D10/30, 32, 38, 39; 63/4,
63/7-11, 12, 13, 14.1, 14.3; 24/712, 712.1-712.3
See application file for complete search history.

(56) **References Cited**

U.S. PATENT DOCUMENTS

D77,296 S *	12/1928	Conant	D10/38
D265,635 S *	8/1982	Barr	D11/6
D420,293 S *	2/2000	Parmigiani	D10/30
D494,477 S *	8/2004	Lalo	D10/30
D530,230 S *	10/2006	Chodat	D10/38
D546,207 S *	7/2007	Sirmakes	D10/39
D548,432 S *	8/2007	Martin	D2/946
D564,906 S *	3/2008	Modolo	D10/32
D570,710 S *	6/2008	Wong	D10/30
D573,902 S *	7/2008	Modolo	D10/39
D579,194 S *	10/2008	Caylor	D2/976
D588,942 S *	3/2009	Fasciano	D10/38

* cited by examiner

Primary Examiner — Cathron C Brooks

Assistant Examiner — Melanie Levy

(74) *Attorney, Agent, or Firm* — McHale & Slavin, P.A.

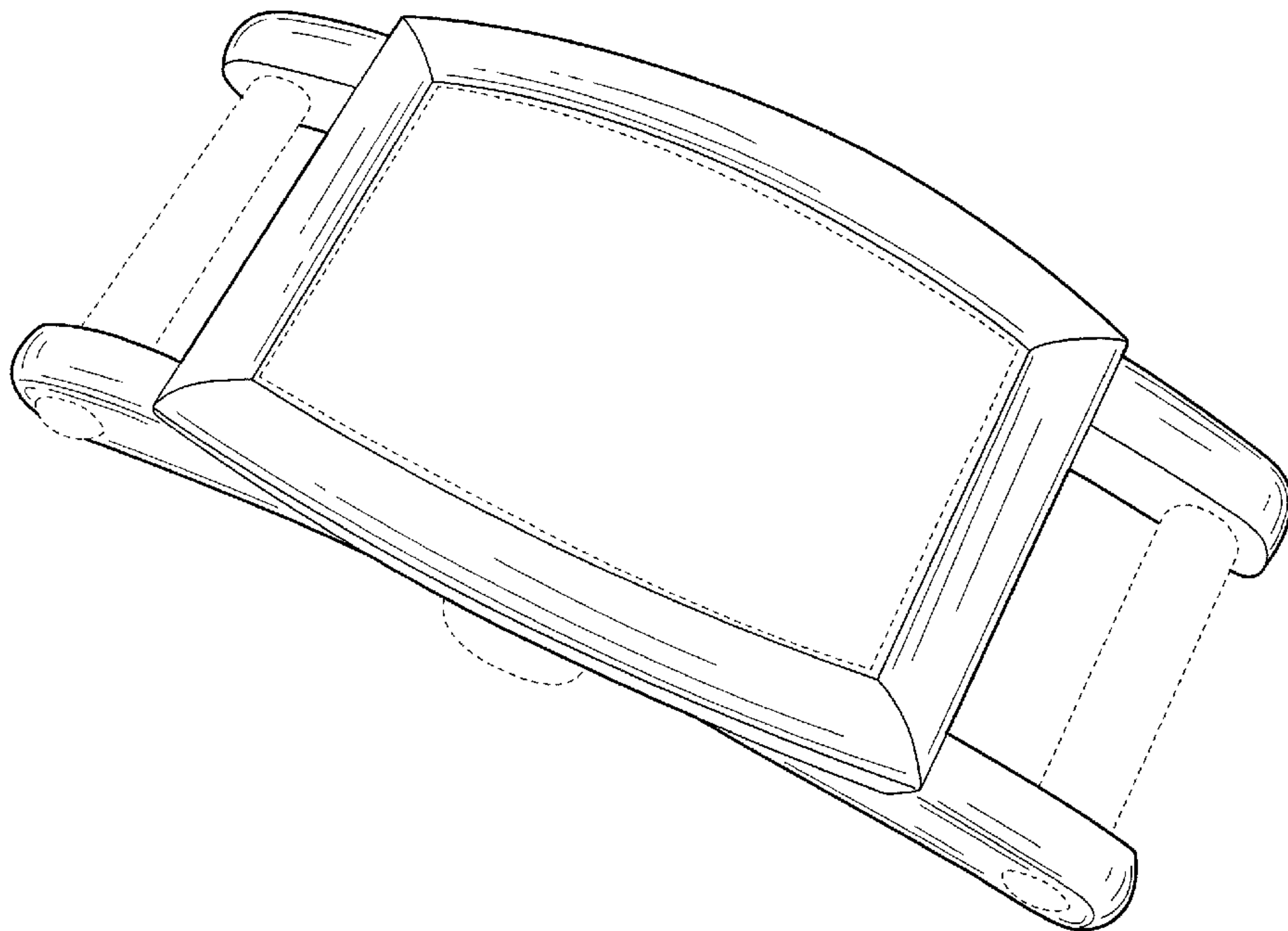
(57) **CLAIM**

The ornamental design for a detachable jewelry setting, as shown and described.

DESCRIPTION

FIG. 1 is a front perspective view of the detachable jewelry setting of the instant invention; FIG. 2 is a front view thereof; FIG. 3 is a top side view thereof; FIG. 4 is a bottom side view thereof; FIG. 5 is a left side view thereof; FIG. 6 is a right side view thereof; FIG. 7 is a front perspective view thereof; FIG. 8 is a front perspective view thereof shown in another environment; FIG. 9 is a front perspective view shown in another environment; FIG. 10 is a front perspective view shown in another environment; and, FIG. 11 is a front perspective view shown in another environment. The broken lines shown represent unclaimed portions of the jewelry setting and environment and form no part of the claimed design.

1 Claim, 9 Drawing Sheets



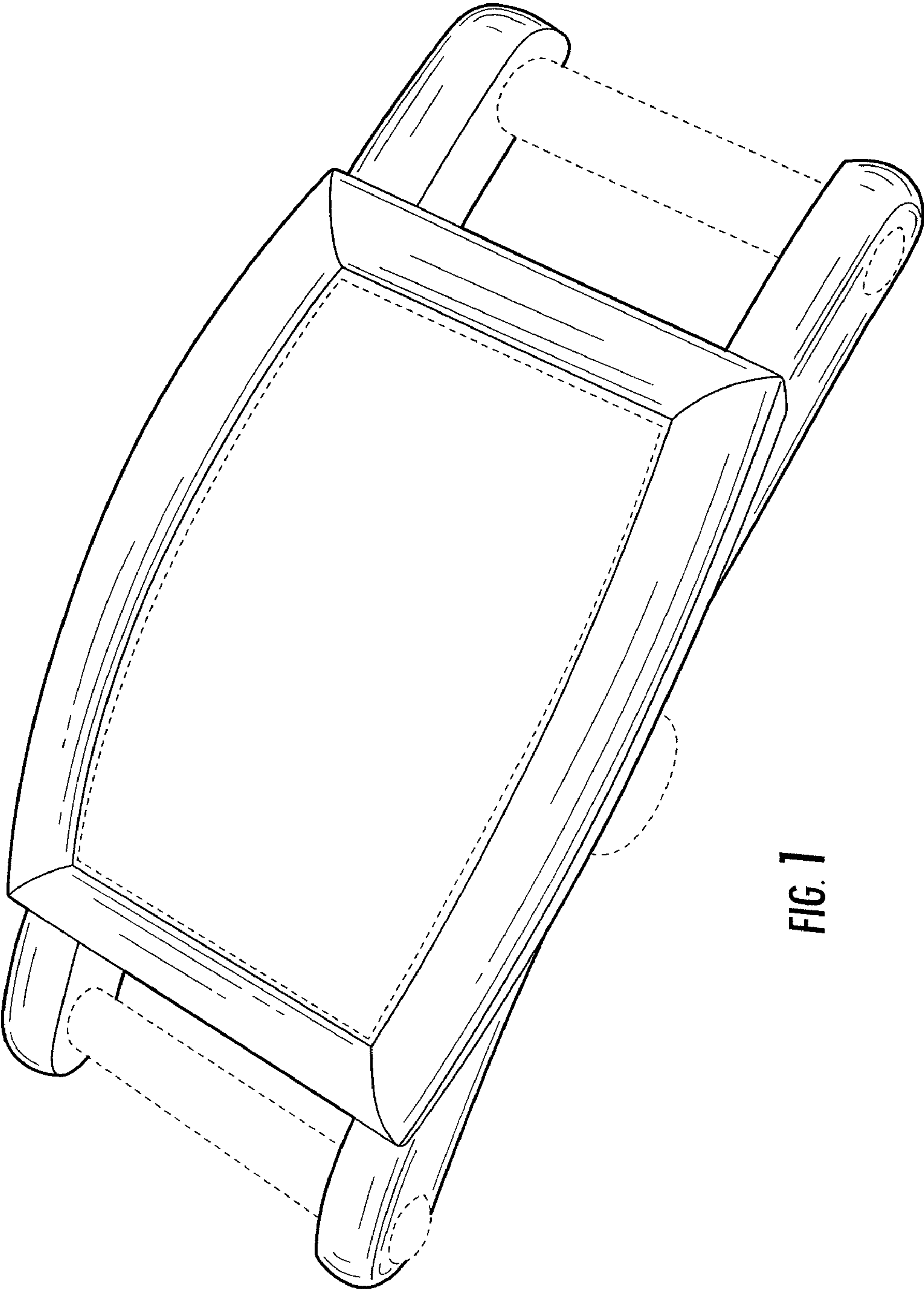


FIG. 1

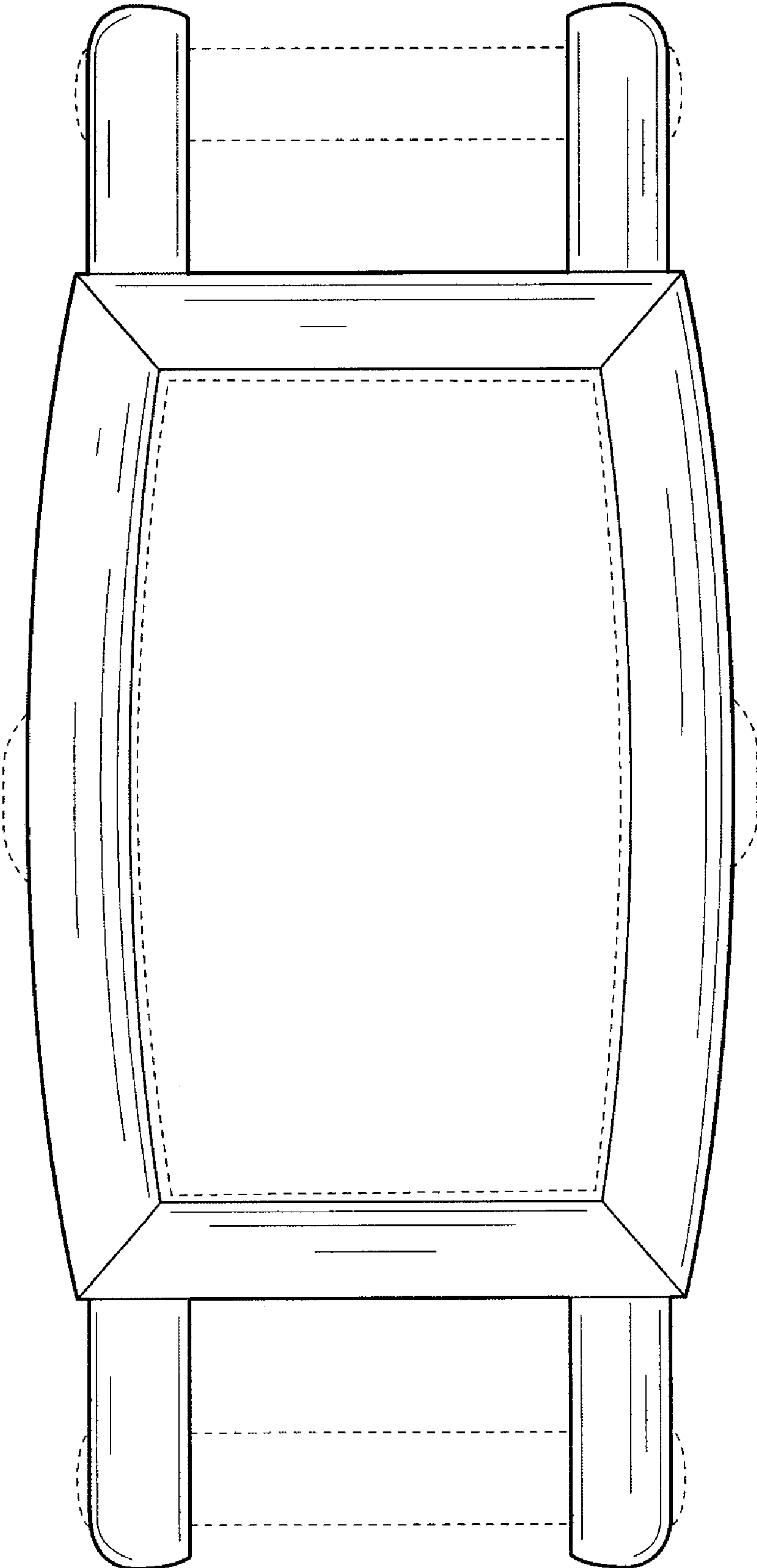


FIG. 2

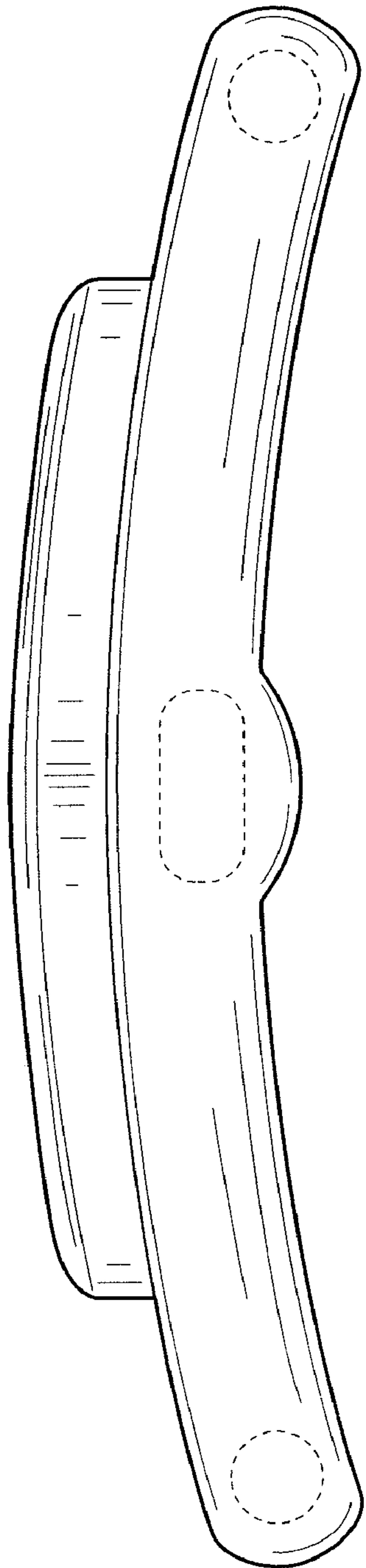


FIG. 3

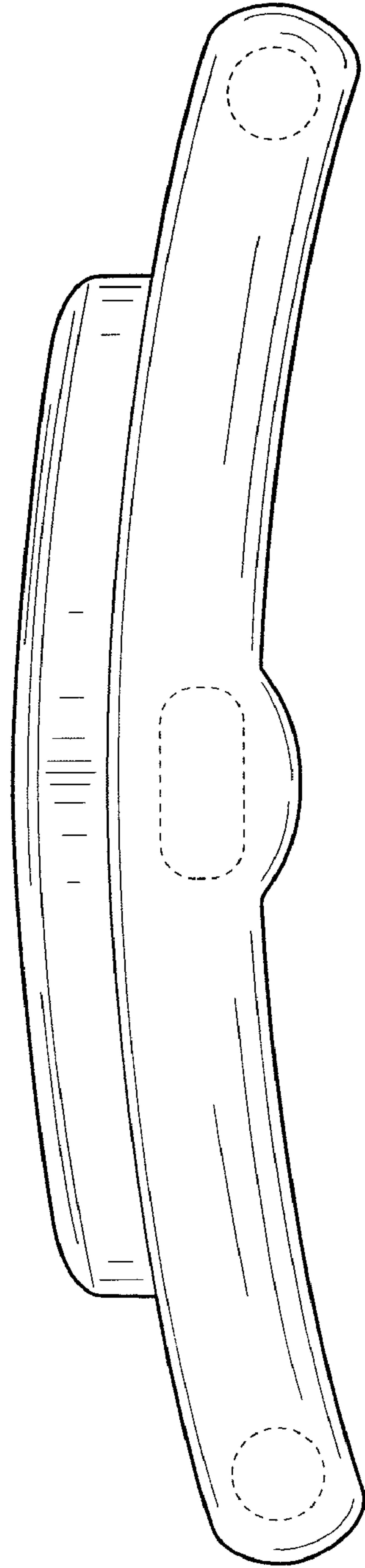


FIG. 4

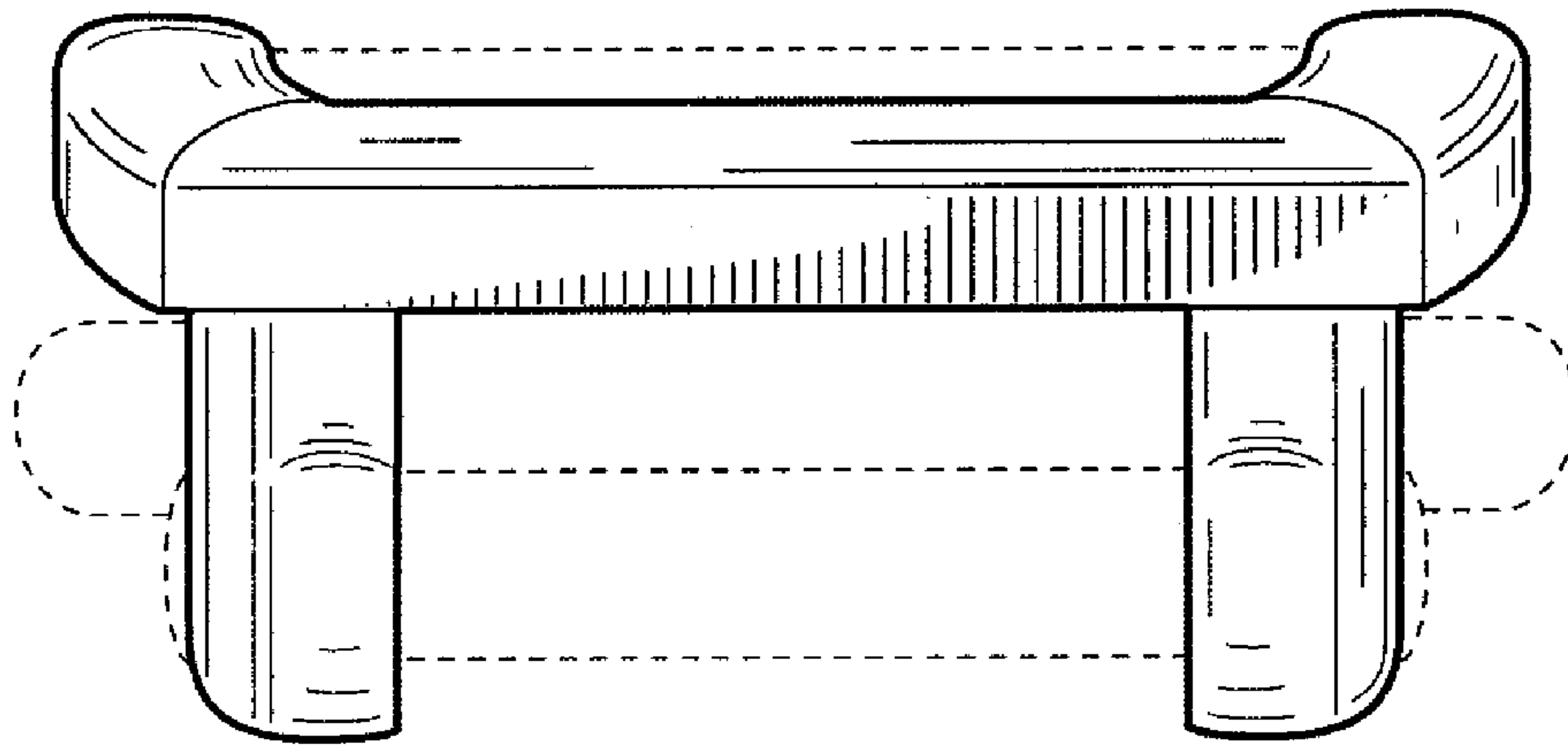


FIG. 5

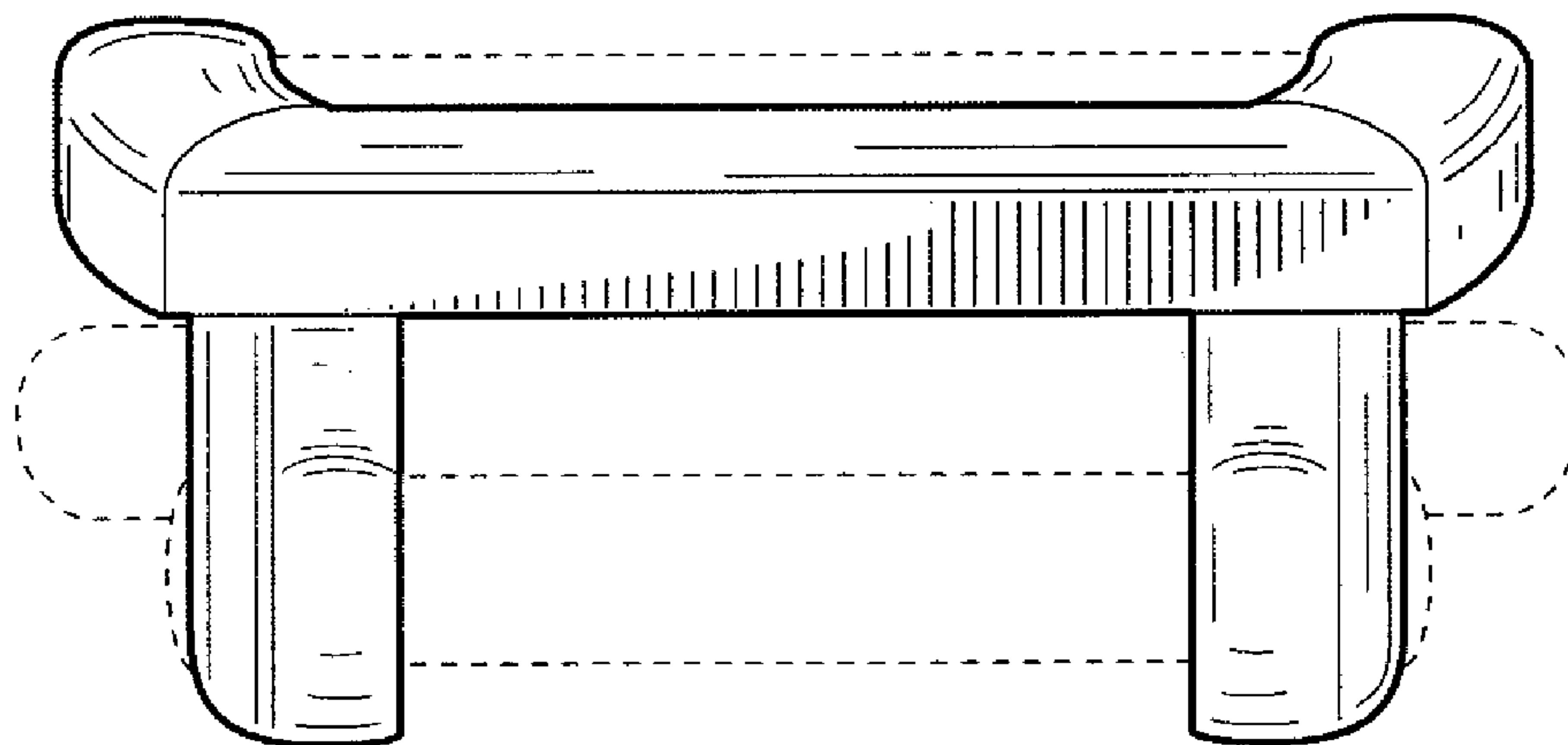


FIG. 6

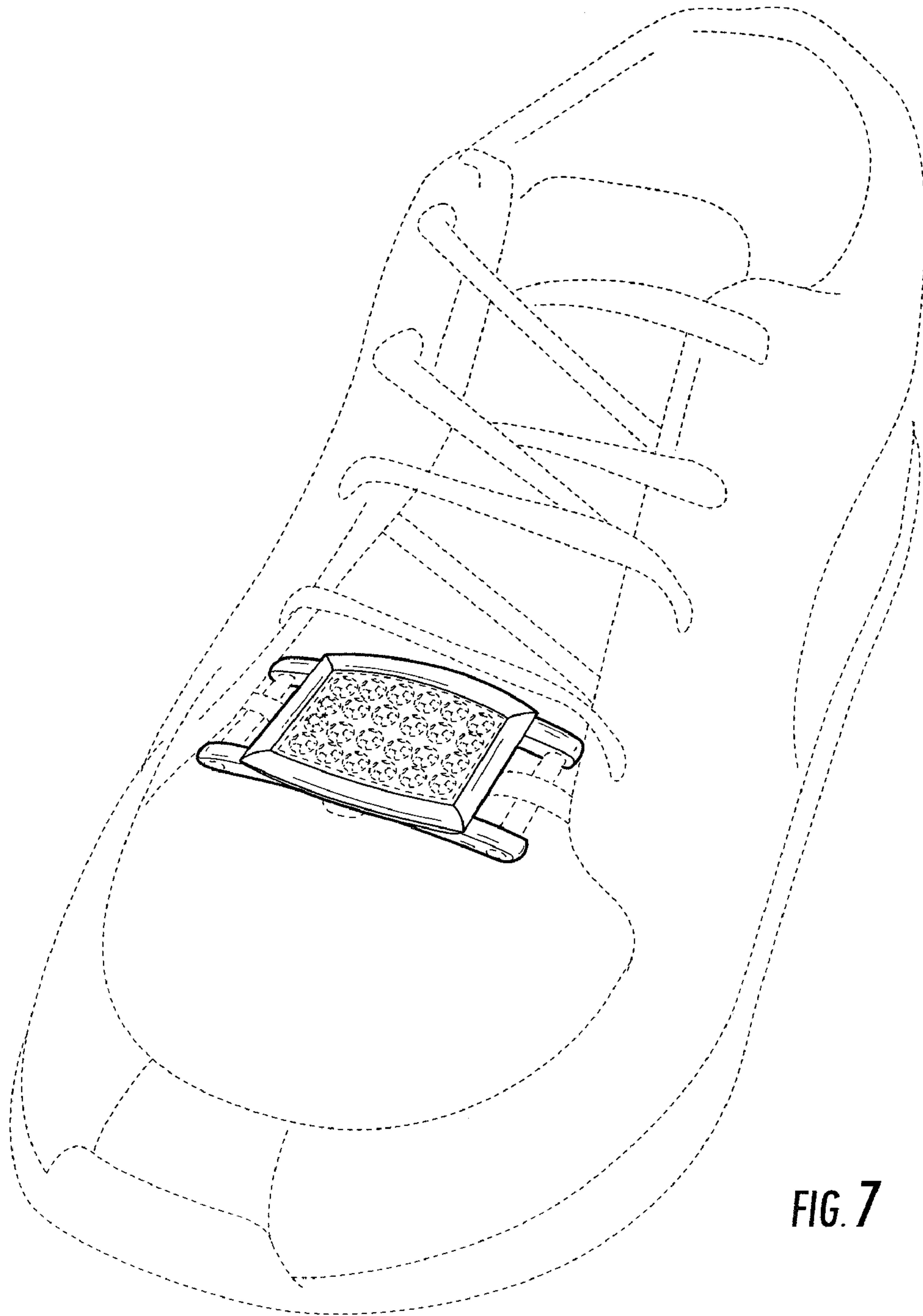


FIG. 7

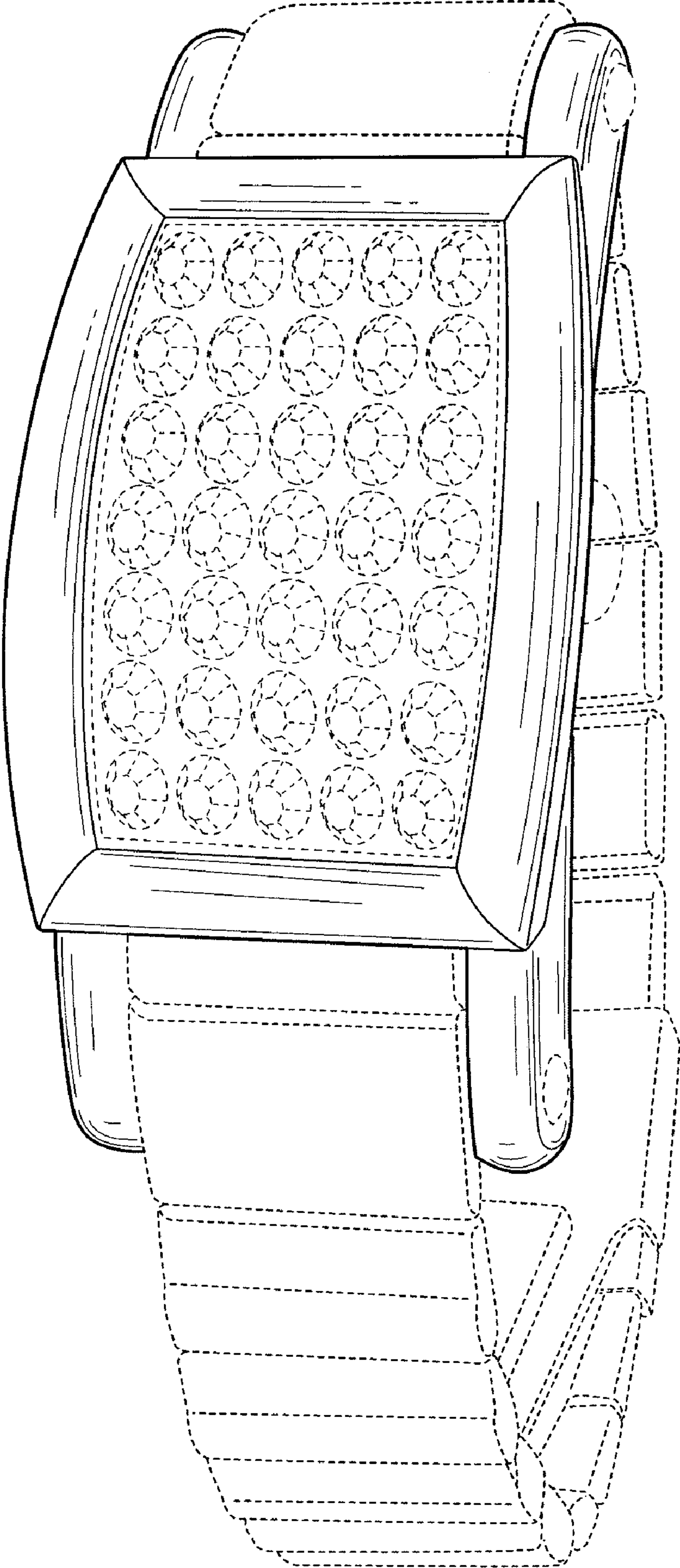


FIG. 8

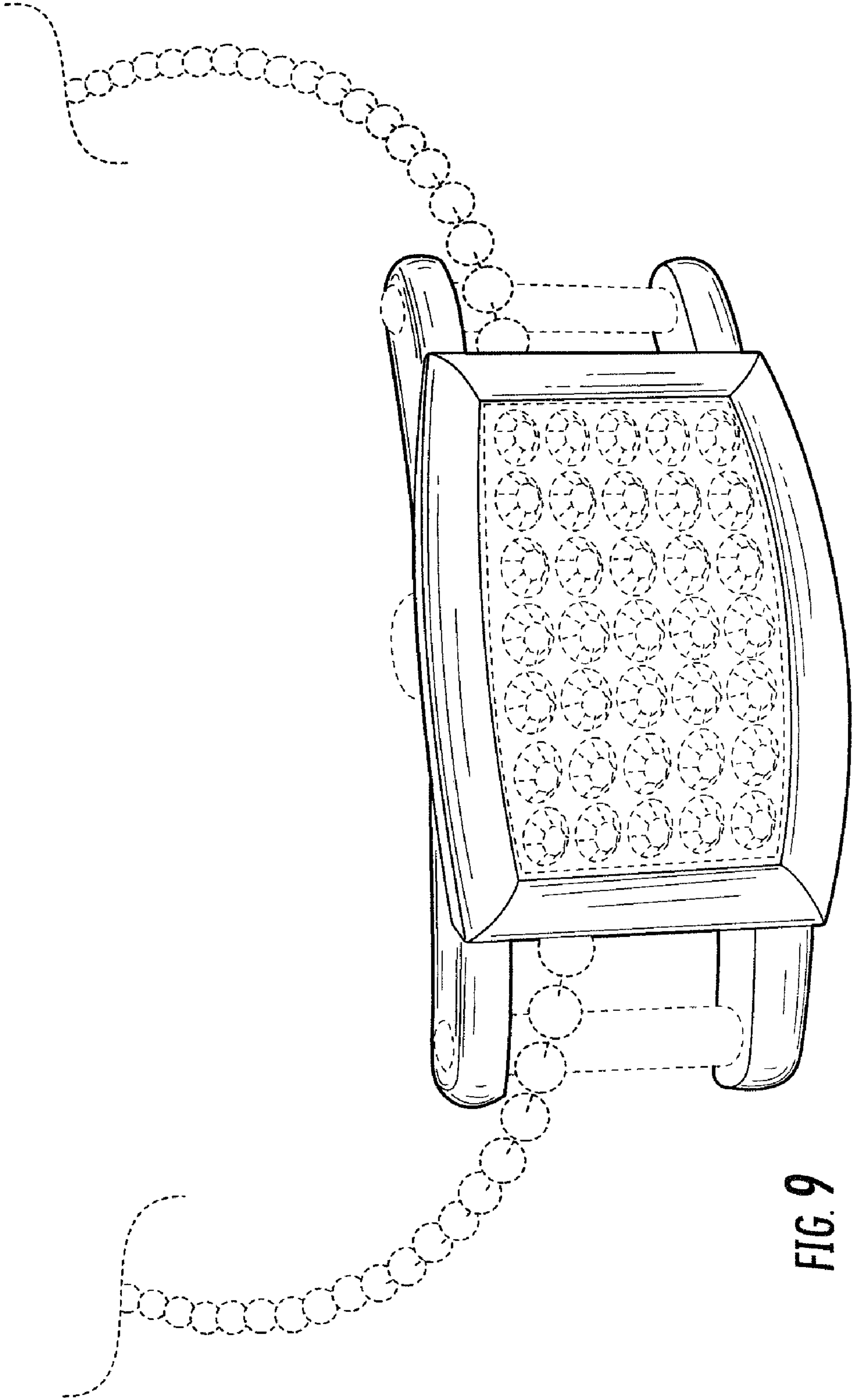


FIG. 9

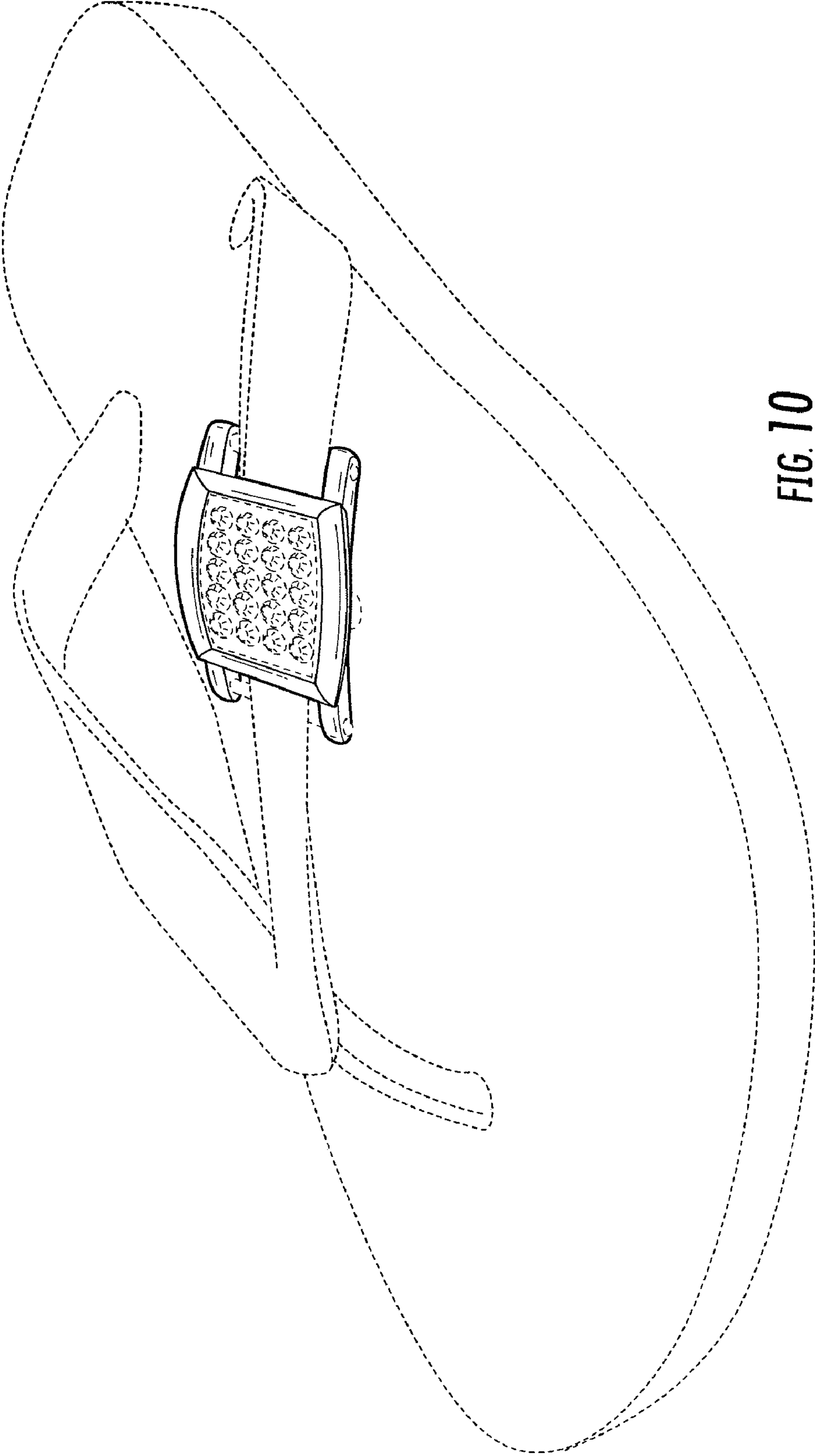


FIG. 10

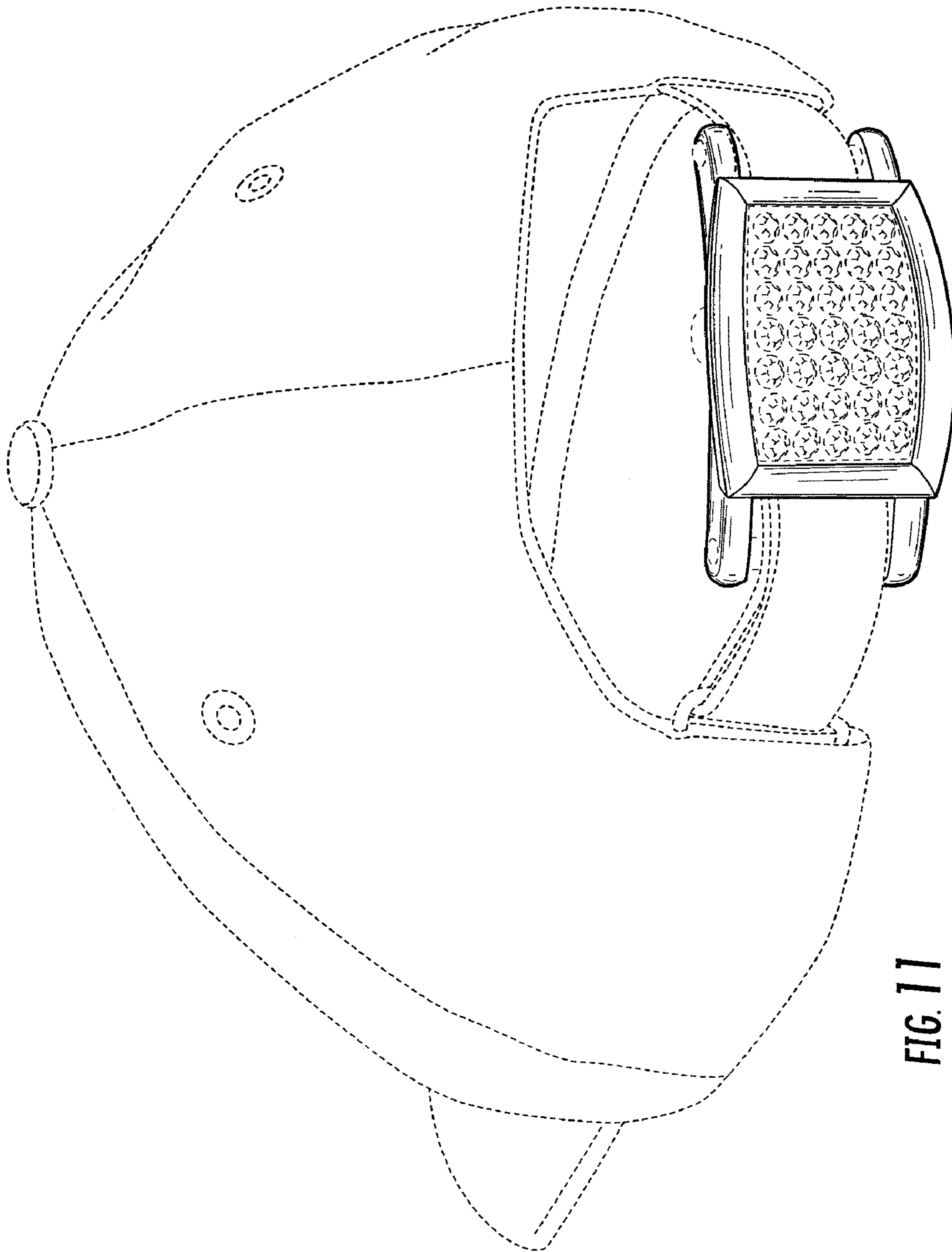


FIG. 11