



US00D637105S

(12) **United States Design Patent**
Bachelder

(10) **Patent No.:** **US D637,105 S**

(45) **Date of Patent:** **** May 3, 2011**

(54) **JEWELRY ELEMENT**

(75) Inventor: **Debra Fink Bachelder**, Mount Gilead,
OH (US)

(73) Assignee: **Debra Fink Bachelder**, Mount Gilead,
OH (US)

(**) Term: **14 Years**

(21) Appl. No.: **29/356,810**

(22) Filed: **Mar. 3, 2010**

(51) **LOC (9) Cl.** **11-02**

(52) **U.S. Cl.** **D11/86**

(58) **Field of Classification Search** D11/1-2,

D11/7, 40-44, 46-49, 53, 56, 57, 59-61,

D11/63, 65, 79-83, 86-87, 89-90, 99, 91-92,

D11/101, 106, 114-116, 200-201; 63/18-20

See application file for complete search history.

(56) **References Cited**

U.S. PATENT DOCUMENTS

D59,244 S *	10/1921	McAvoy	D11/83
D59,612 S *	11/1921	Tennefass	D11/81
D157,313 S *	2/1950	Zweig	D11/81
D164,356 S *	8/1951	De Flece	D11/83
D164,522 S *	9/1951	Stageberg	D99/34

D232,178 S * 7/1974 McDaniel D21/387

D252,803 S * 9/1979 Parker D11/79

D394,412 S * 5/1998 Hanson D11/40

D413,543 S * 9/1999 Behr D11/79

D533,101 S * 12/2006 McDonald D11/79

D533,478 S * 12/2006 McDonald D11/79

* cited by examiner

Primary Examiner — Cathron C Brooks

Assistant Examiner — Melanie Levy

(57) **CLAIM**

The ornamental design for a jewelry element, as shown and described.

DESCRIPTION

FIG. 1 is a perspective view of a jewelry element according to my new design;

FIG. 2 is a rear view thereof;

FIG. 3 is a rear view thereof;

FIG. 4 is a right side view thereof;

FIG. 5 is a left side view thereof;

FIG. 6 is a top view thereof; and,

FIG. 7 is a bottom view thereof.

Elements shown in phantom illustrate environment and form no part of the claimed design.

1 Claim, 3 Drawing Sheets

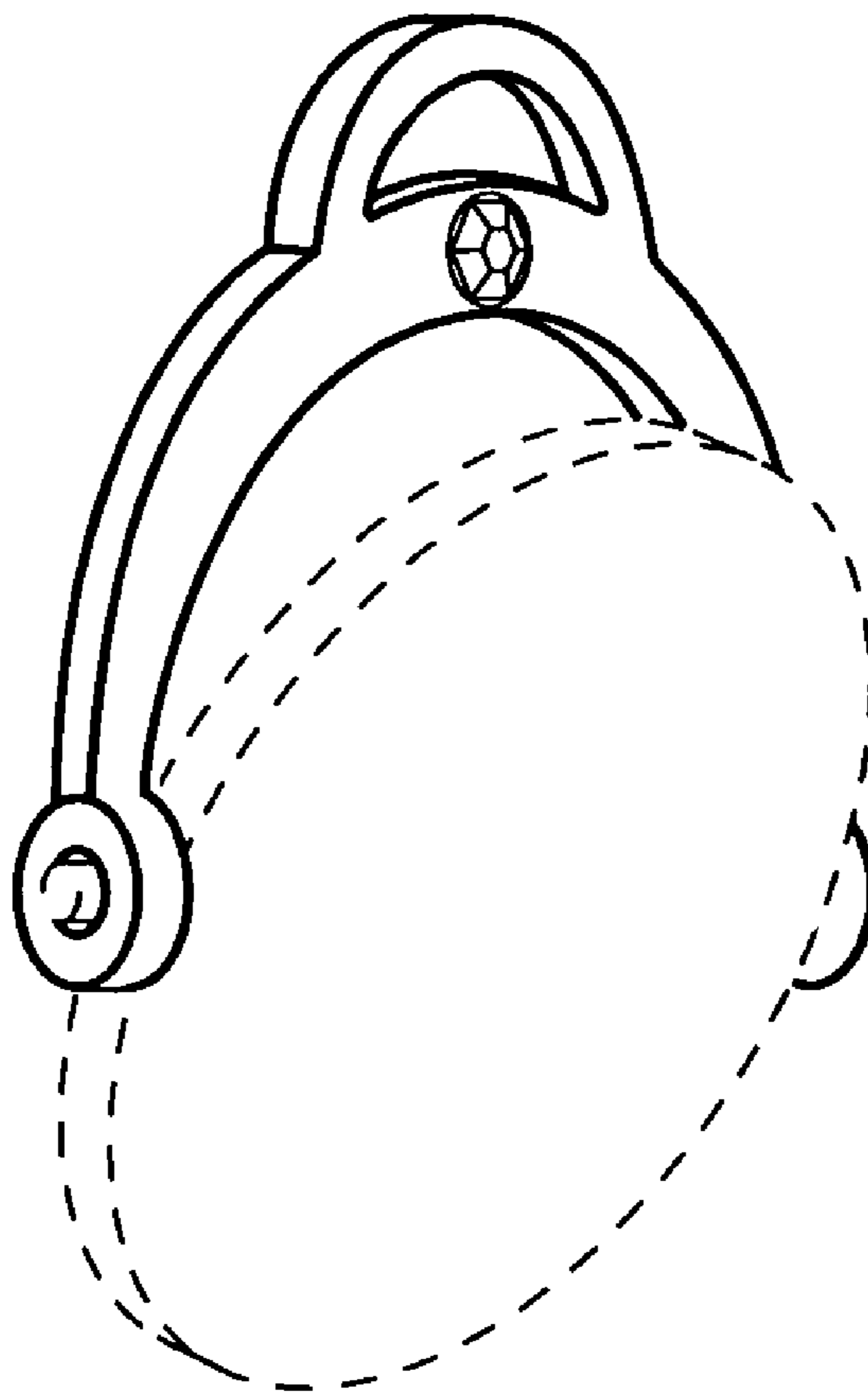


FIG. 1

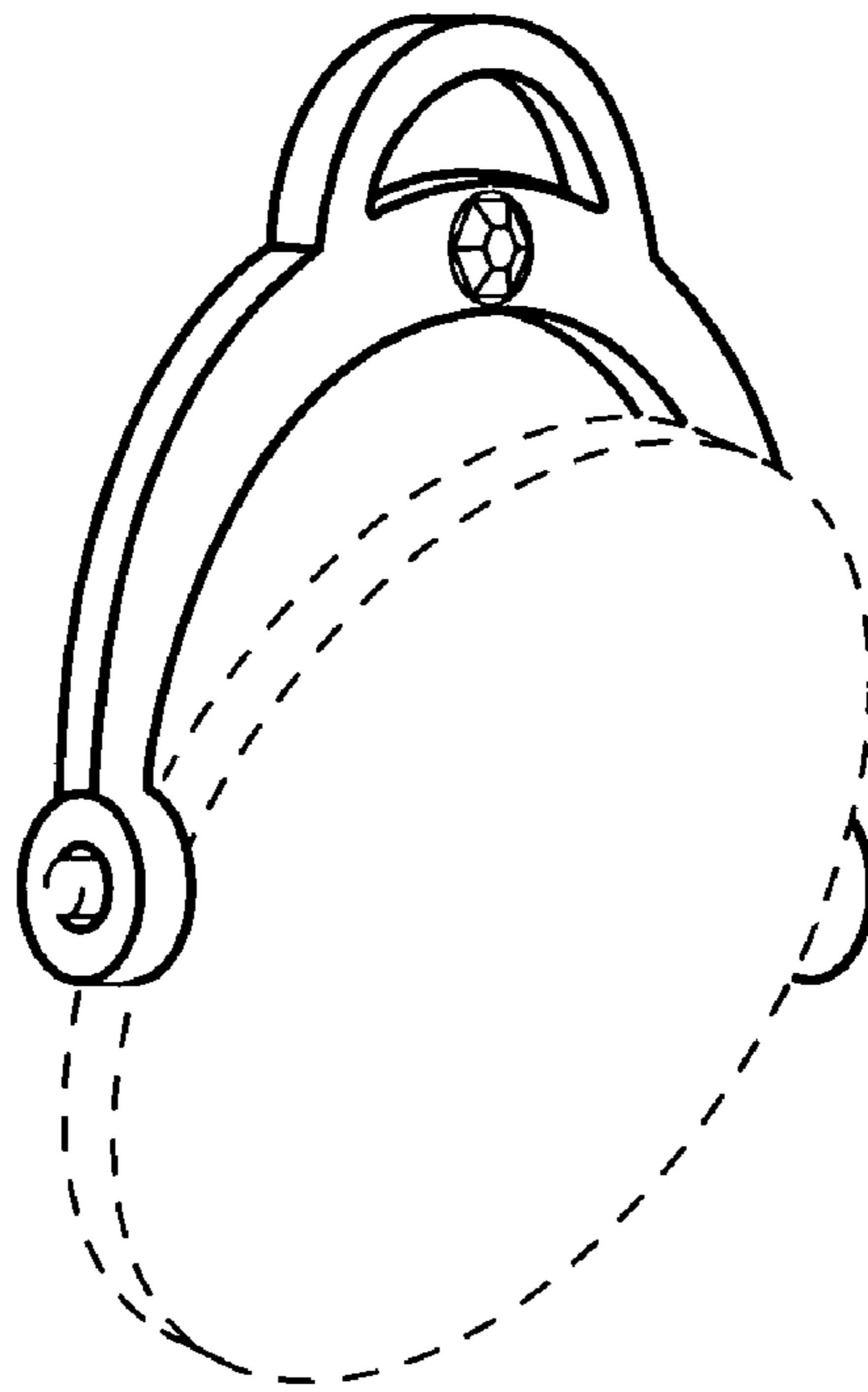


FIG. 2

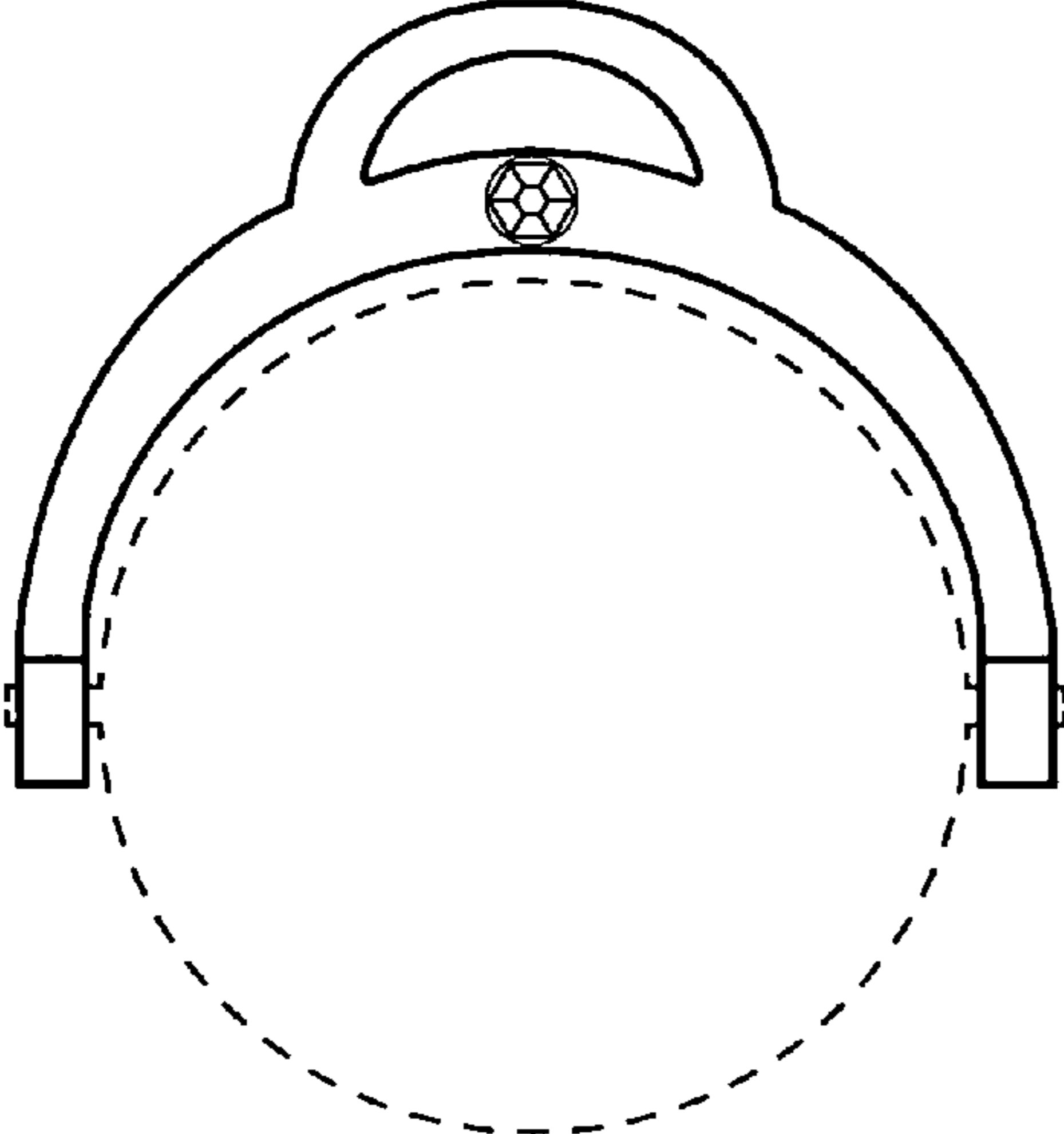


FIG. 3

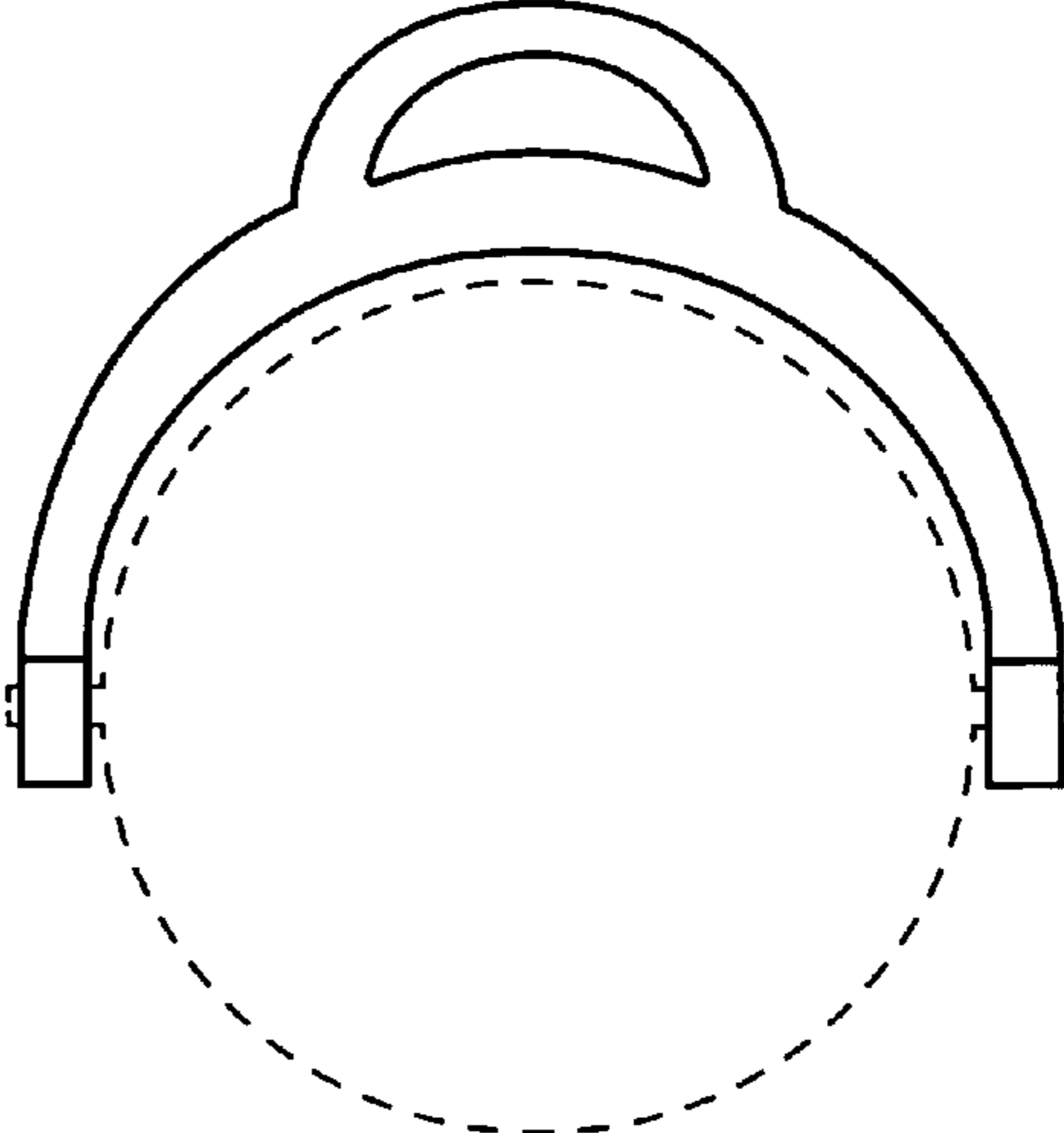


FIG. 4

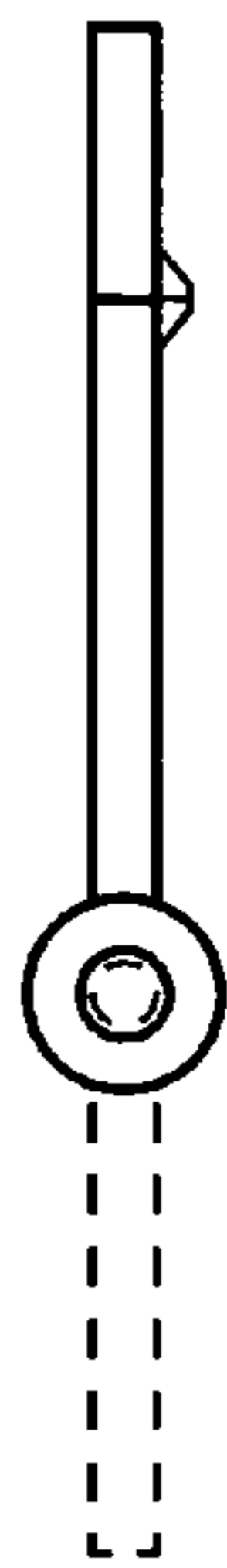


FIG. 5

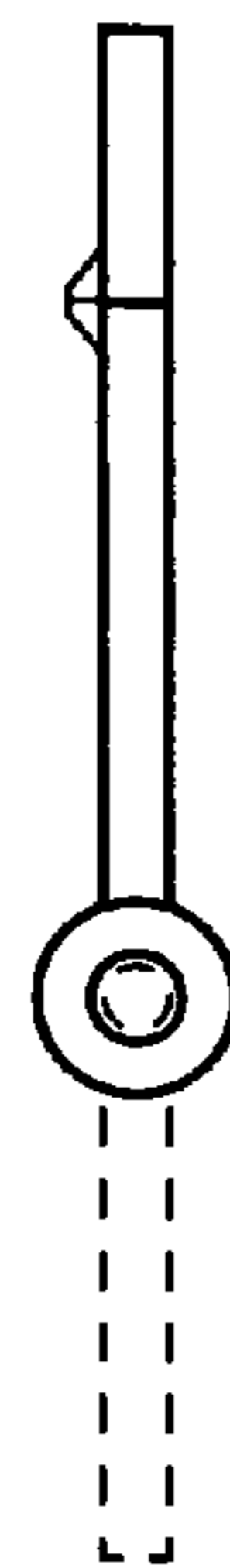


FIG. 6



FIG. 7

