



US00D637102S

(12) **United States Design Patent**  
**Papadimitriou**

(10) **Patent No.:** **US D637,102 S**  
(45) **Date of Patent:** **\*\* May 3, 2011**

(54) **RING**

(75) Inventor: **Costantino Papadimitriou, Milan (IT)**

(73) Assignee: **De Beers Centenary AG, Lucerne (CH)**

(\*\*) Term: **14 Years**

(21) Appl. No.: **29/377,682**

(22) Filed: **Oct. 25, 2010**

(30) **Foreign Application Priority Data**

Apr. 25, 2010 (EP) ..... 001699760

(51) **LOC (9) Cl.** ..... **11-01**

(52) **U.S. Cl.** ..... **D11/35**

(58) **Field of Classification Search** ..... D11/26-39;  
63/15.1-15.4, 15.45, 15.5, 15.6, 15.65, 15.7,  
63/26-27

See application file for complete search history.

(56) **References Cited**

**U.S. PATENT DOCUMENTS**

1,092,819	A *	4/1914	Block	63/26
D193,020	S	6/1962	Gibeault	
4,080,803	A *	3/1978	Suzuki	63/15.4
4,307,502	A *	12/1981	Scola	29/896.412
5,027,617	A *	7/1991	Bonchek	63/15.3
5,806,344	A *	9/1998	Bonchek	63/15.1
D403,264	S *	12/1998	Shenhav	D11/34
D445,056	S *	7/2001	Haquet	D11/26
6,260,384	B1 *	7/2001	Mino et al.	63/26
D446,470	S *	8/2001	Itzkowitz	D11/26
D451,423	S *	12/2001	Ambar	D11/34
D460,927	S *	7/2002	Ambar	D11/34
D466,040	S *	11/2002	Turner	D11/35
D472,496	S *	4/2003	Ambar	D11/34
D506,405	S	6/2005	Fortgang	
D508,866	S	8/2005	Shin	
D513,202	S *	12/2005	Shah	D11/34
D602,802	S *	10/2009	Papadimitriou	D11/26

D610,034	S	2/2010	Colombani et al.	
D614,065	S *	4/2010	Vagal	D11/34
D614,066	S *	4/2010	Vagal	D11/34
D614,072	S *	4/2010	Vagal	D11/35

(Continued)

**OTHER PUBLICATIONS**

<http://cheap-engagementrings.com/wp-content/uploads/2010/10/cheap-white-gold-diamond-solitaire-setting.jpg>\*

(Continued)

*Primary Examiner* — Cathron C Brooks

*Assistant Examiner* — Melanie Levy

(74) *Attorney, Agent, or Firm* — SNR Denton US LLP;  
Brian R. McGinley

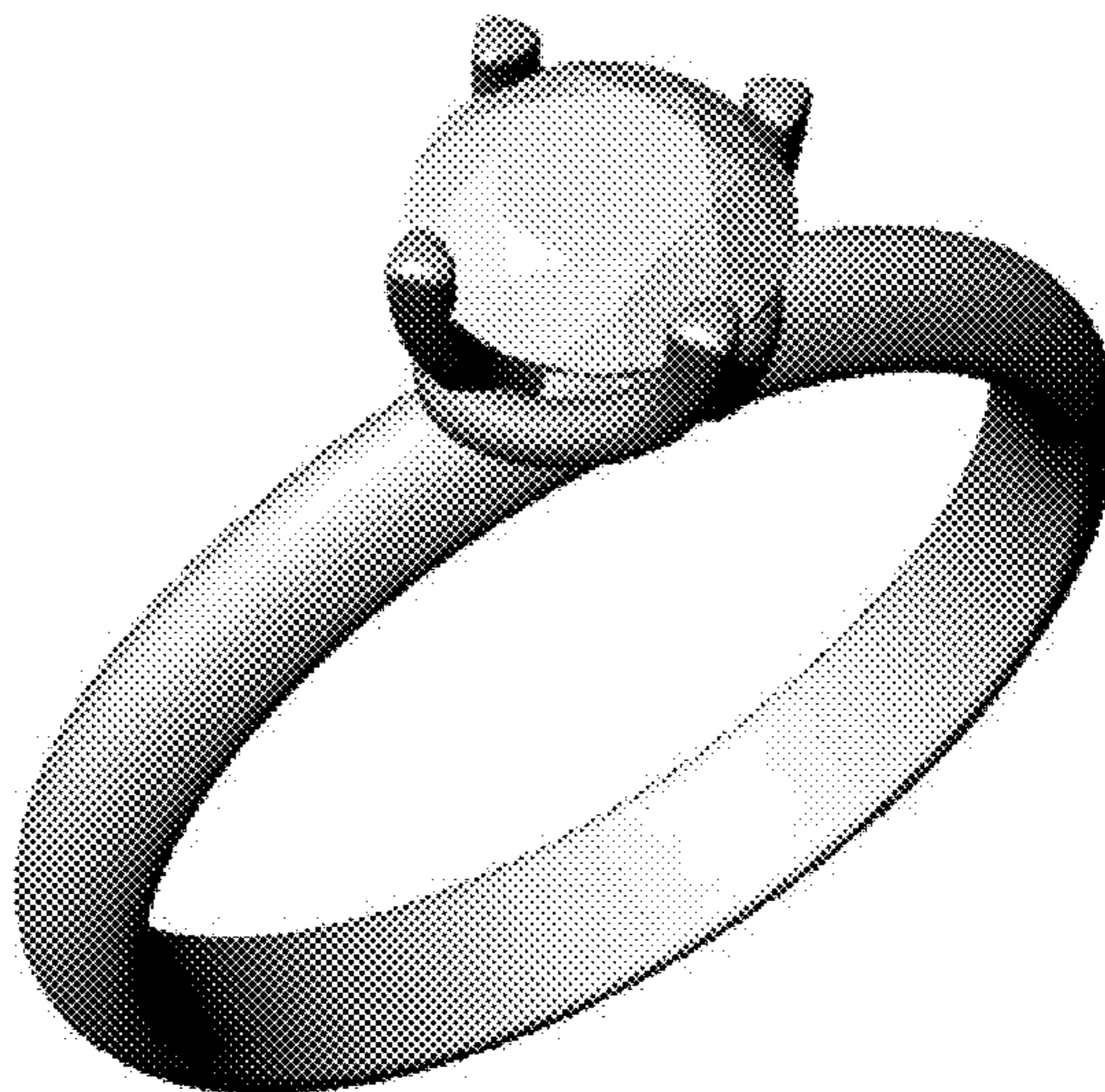
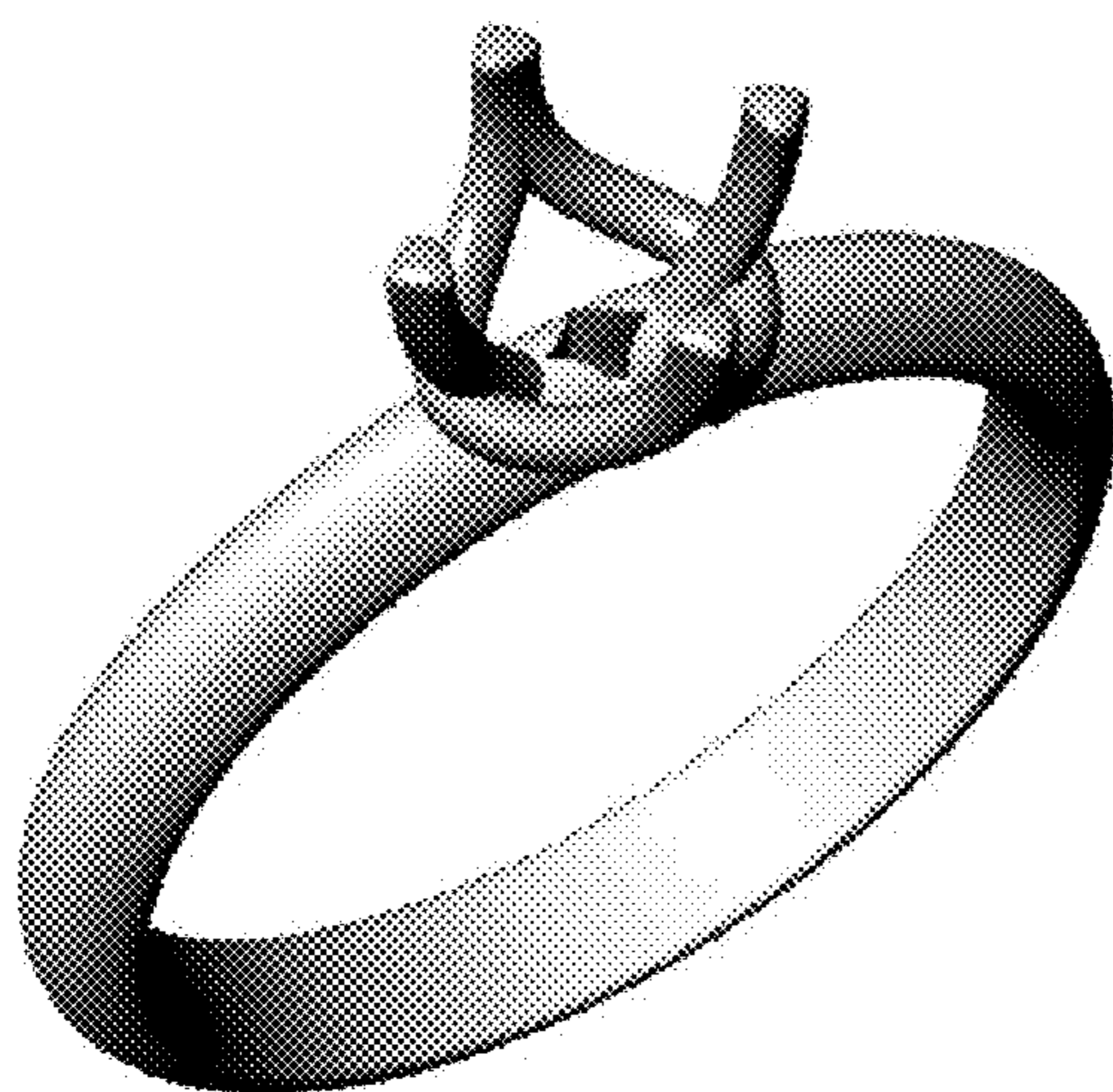
(57) **CLAIM**

The ornamental design for ring, as shown and described.

**DESCRIPTION**

FIG. 1 is a top view of the ring;  
 FIG. 2 is a bottom view of the ring illustrated in FIG. 1;  
 FIG. 3 is a right elevational view of the ring illustrated in FIG. 1;  
 FIG. 4 is a left elevational view of the ring illustrated in FIG. 1;  
 FIG. 5 is a front view of the ring illustrated in FIG. 1;  
 FIG. 6 is a rear view of the ring illustrated in FIG. 1;  
 FIG. 7 is a perspective view of the ring illustrated in FIG. 1;  
 FIG. 8 is a top view of a second embodiment of the ring;  
 FIG. 9 is a bottom view of the ring illustrated in FIG. 8;  
 FIG. 10 is a right elevational view of the ring illustrated in FIG. 8;  
 FIG. 11 is a left elevational view of the ring illustrated in FIG. 8;  
 FIG. 12 is a front view of the ring illustrated in FIG. 8;  
 FIG. 13 is a rear view of the ring illustrated in FIG. 8; and,  
 FIG. 14 is a perspective view of the ring illustrated in FIG. 8.

**1 Claim, 8 Drawing Sheets**



# US D637,102 S

Page 2

---

## U.S. PATENT DOCUMENTS

D614,525 S \* 4/2010 Chawla ..... D11/34  
2006/0021383 A1 \* 2/2006 Weber ..... 63/15  
2010/0083700 A1 4/2010 Joseph et al.  
2010/0083702 A1 4/2010 Joseph

## OTHER PUBLICATIONS

<http://feeds2.yourstorewizards.com/1003/images/250x1000/jbuu60984-white.jpg>\*

<http://www.choicesdiamonds.com/prodimages/P701L.jpg>\*

<http://www.americangiftshopping.com/images/ettr036.jpg>\*

<http://feeds2.yourstorewizards.com/1003/images/250x1000/jbuu61405.jpg>\*

[http://ringoblog.com/wp-content/uploads/2009/07/Black\\_Diamond\\_Solitaire\\_Ring.jpg](http://ringoblog.com/wp-content/uploads/2009/07/Black_Diamond_Solitaire_Ring.jpg)\*

\* cited by examiner

FIG. 1

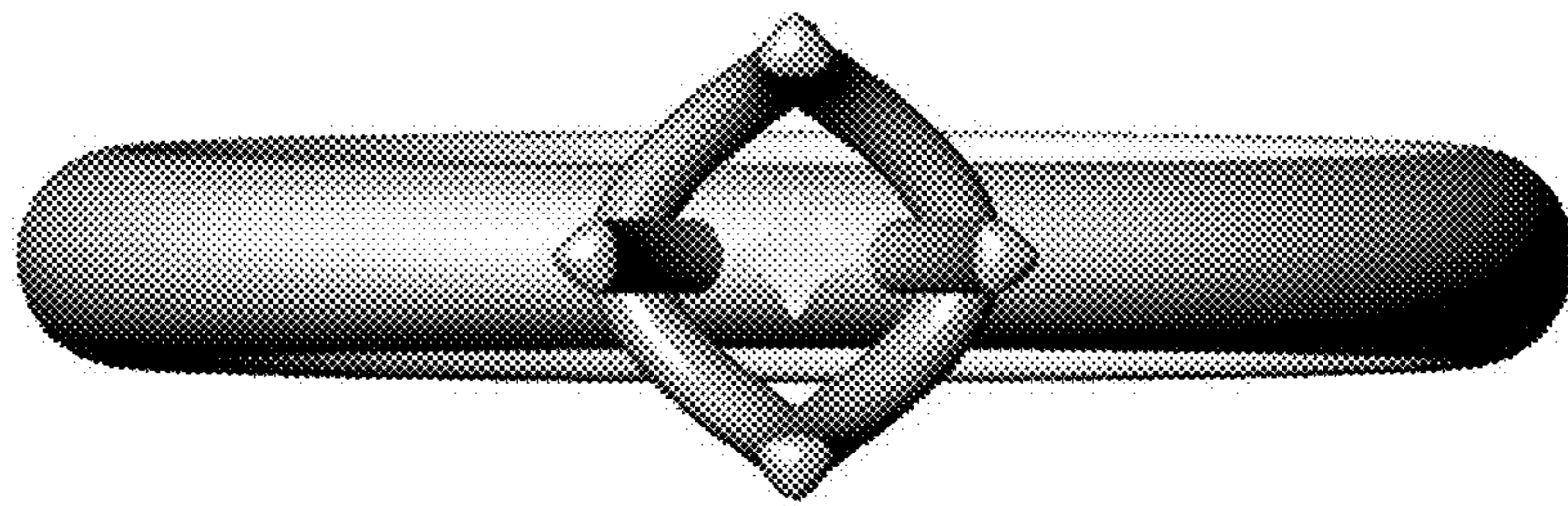


FIG. 2

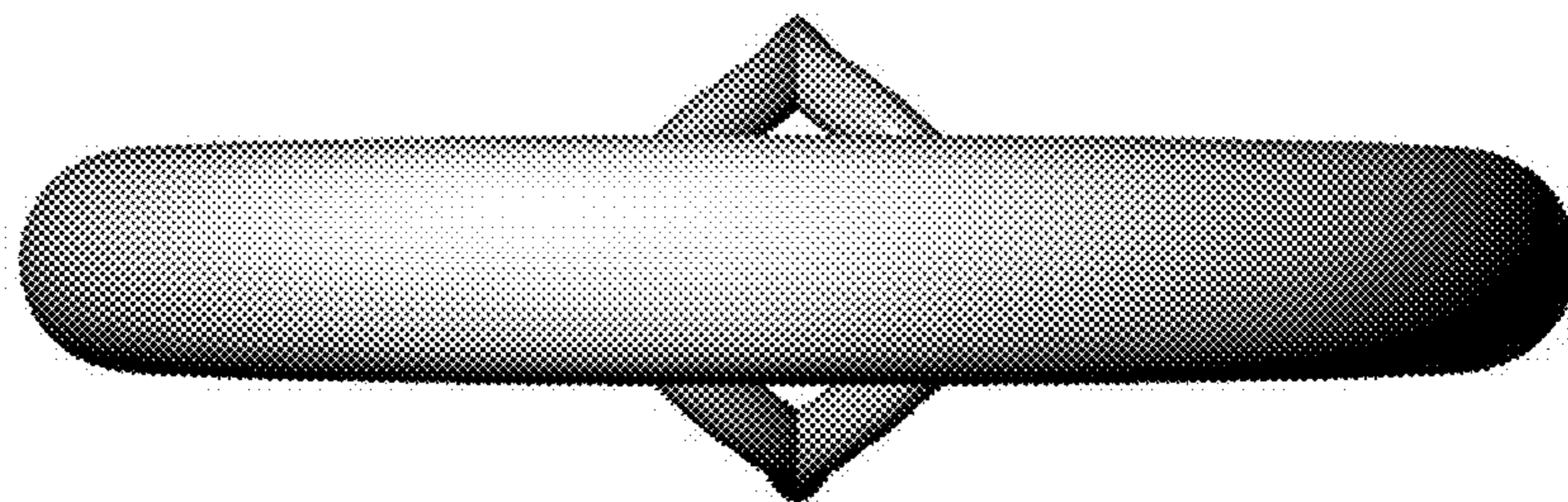


FIG. 3

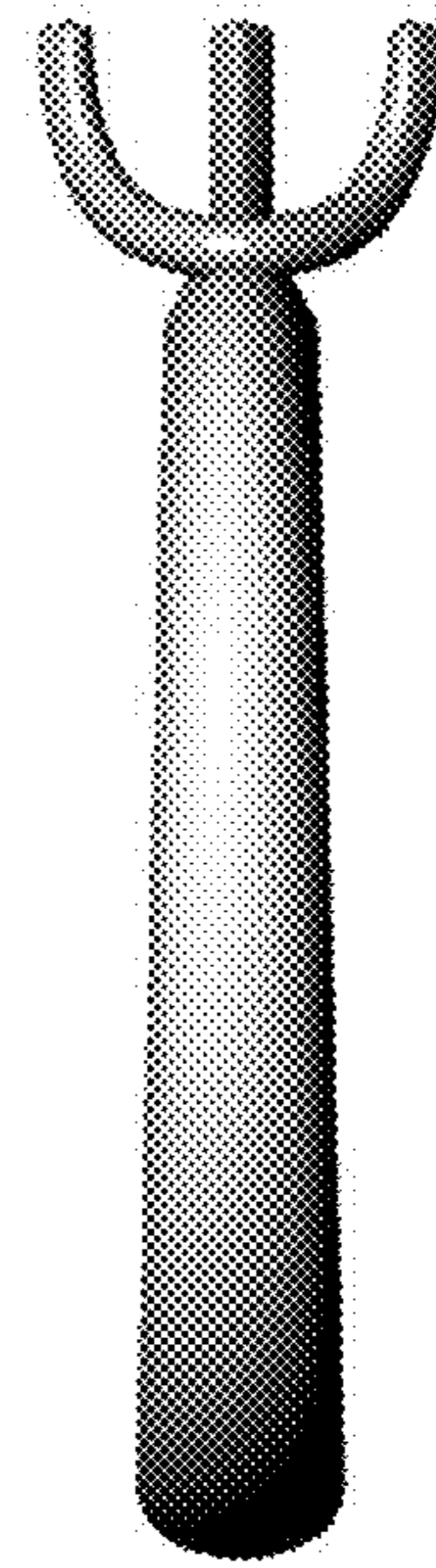


FIG. 4

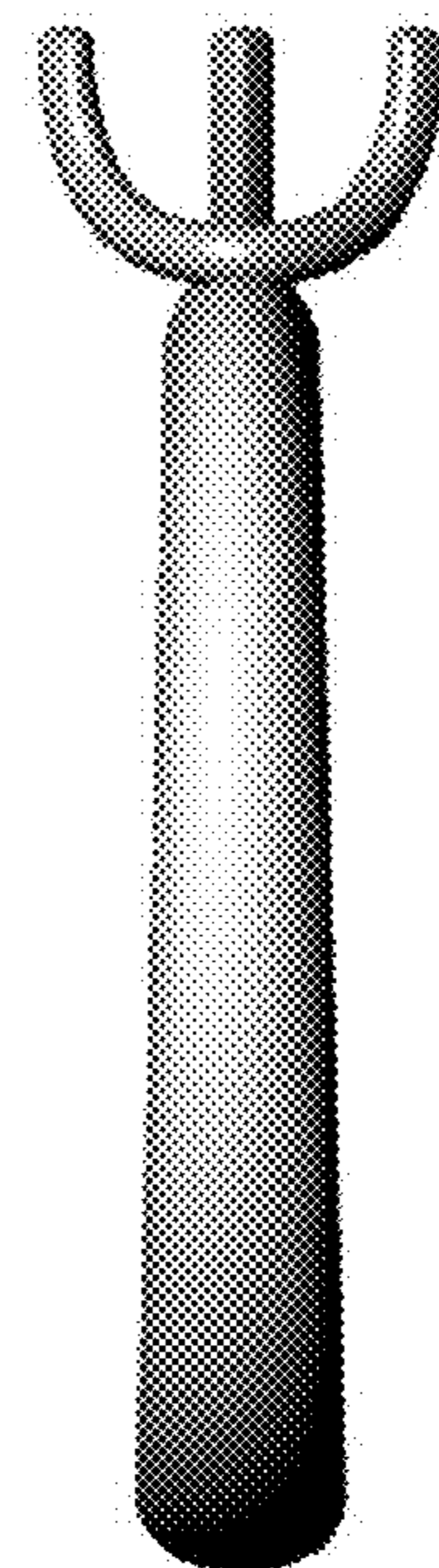


FIG. 5

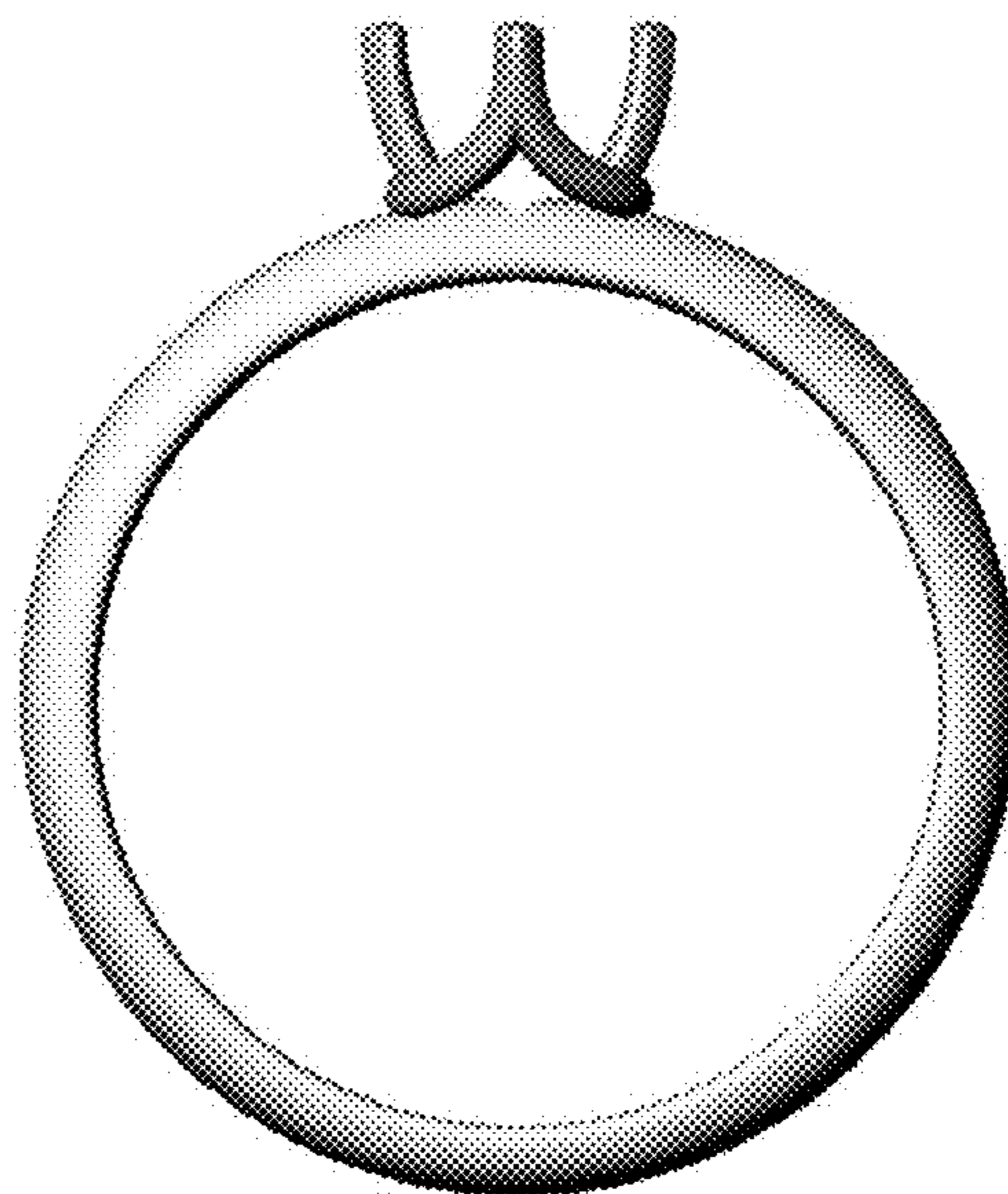


FIG. 6



FIG. 7

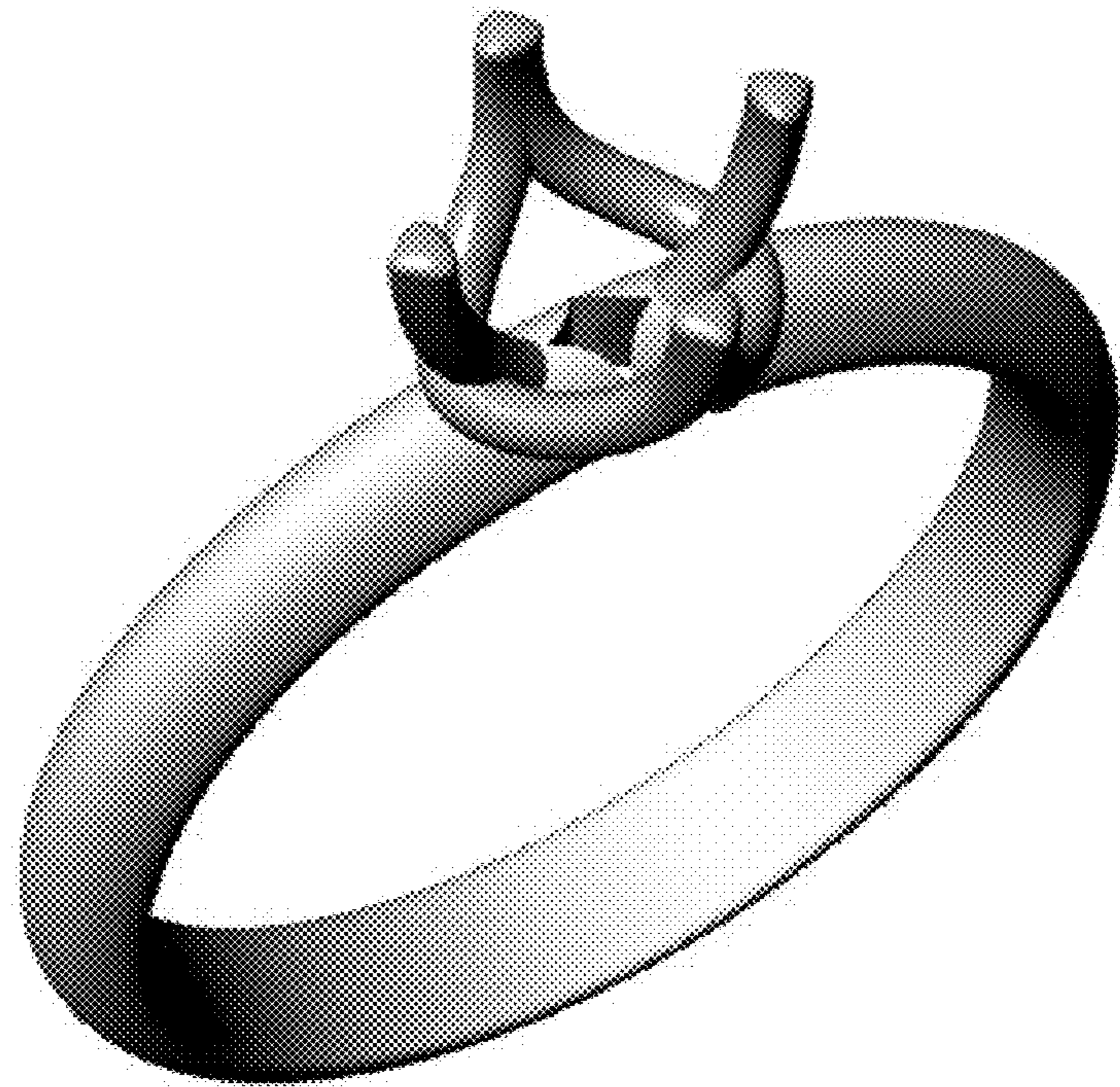


FIG. 8

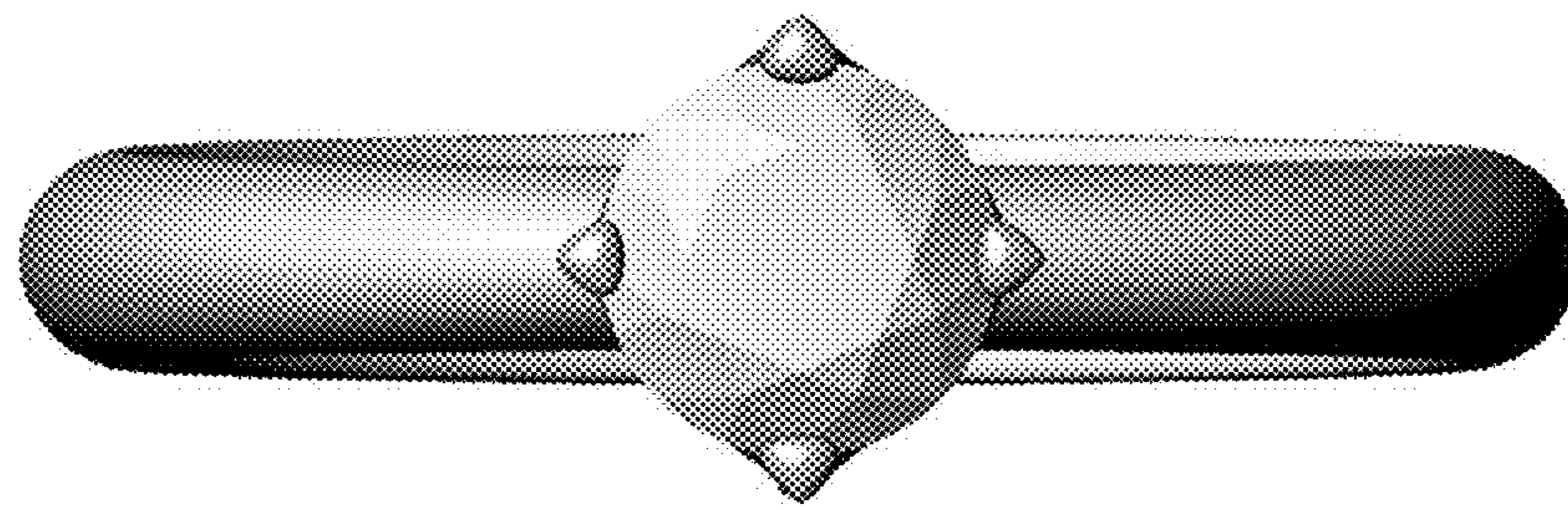


FIG. 9

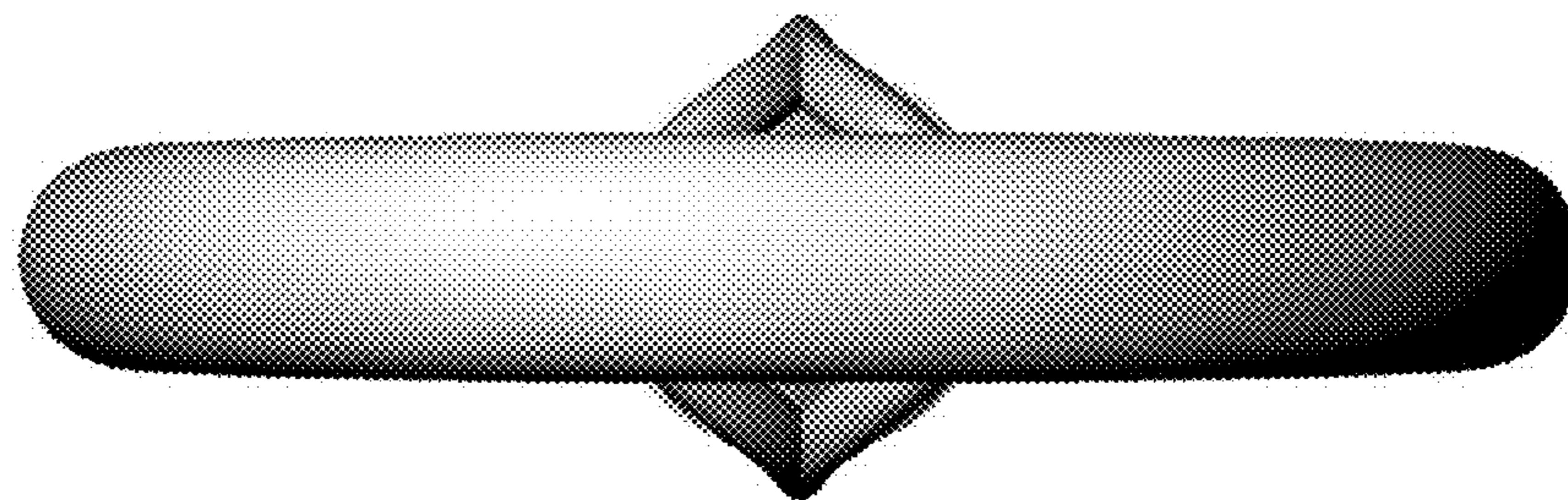


FIG. 10

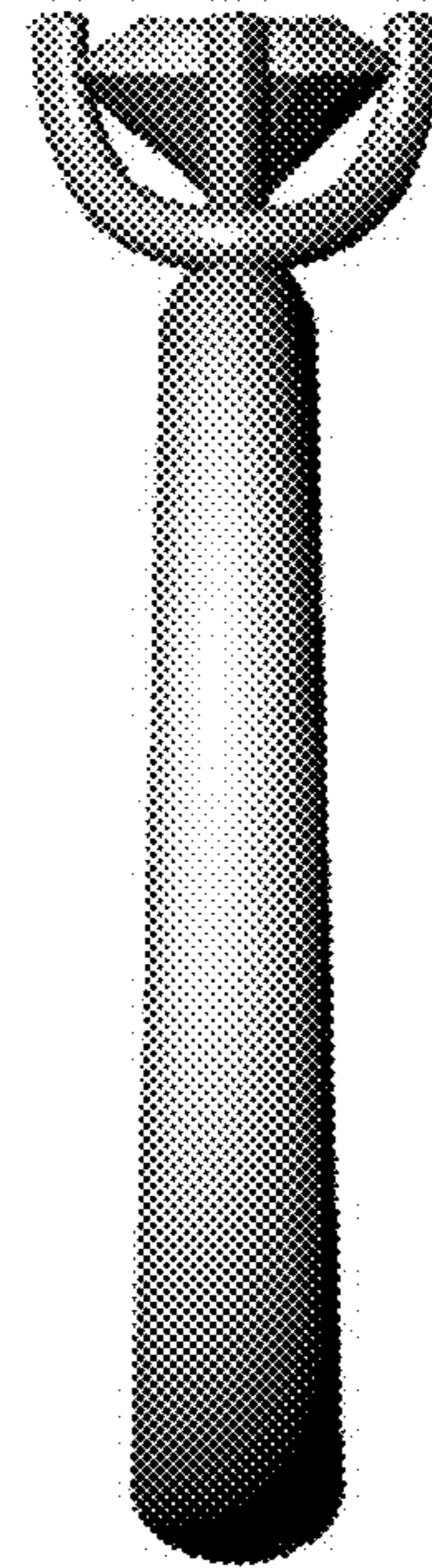


FIG. 11

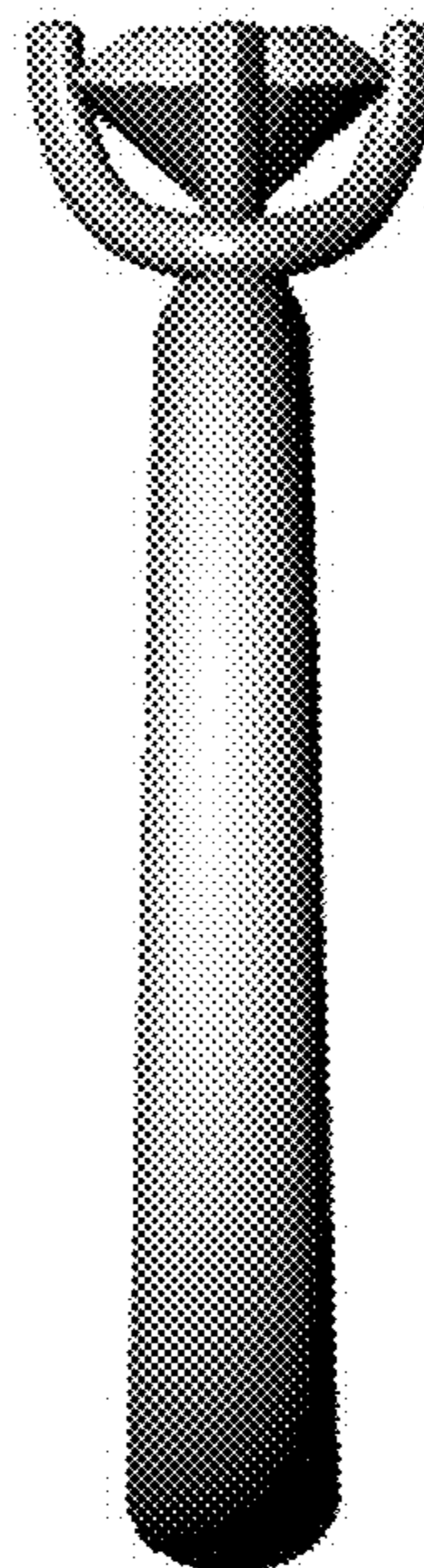




FIG. 12

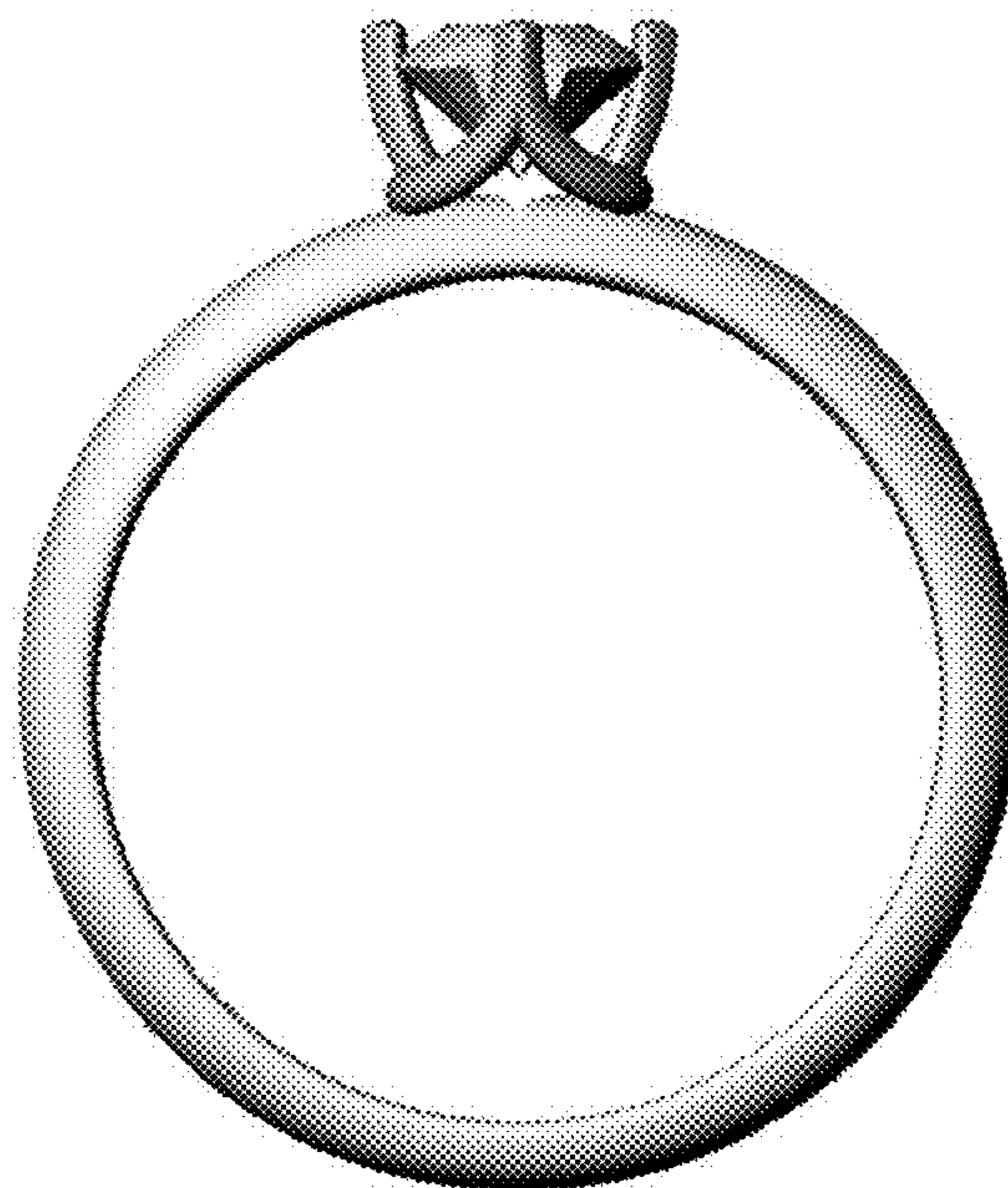


FIG. 13

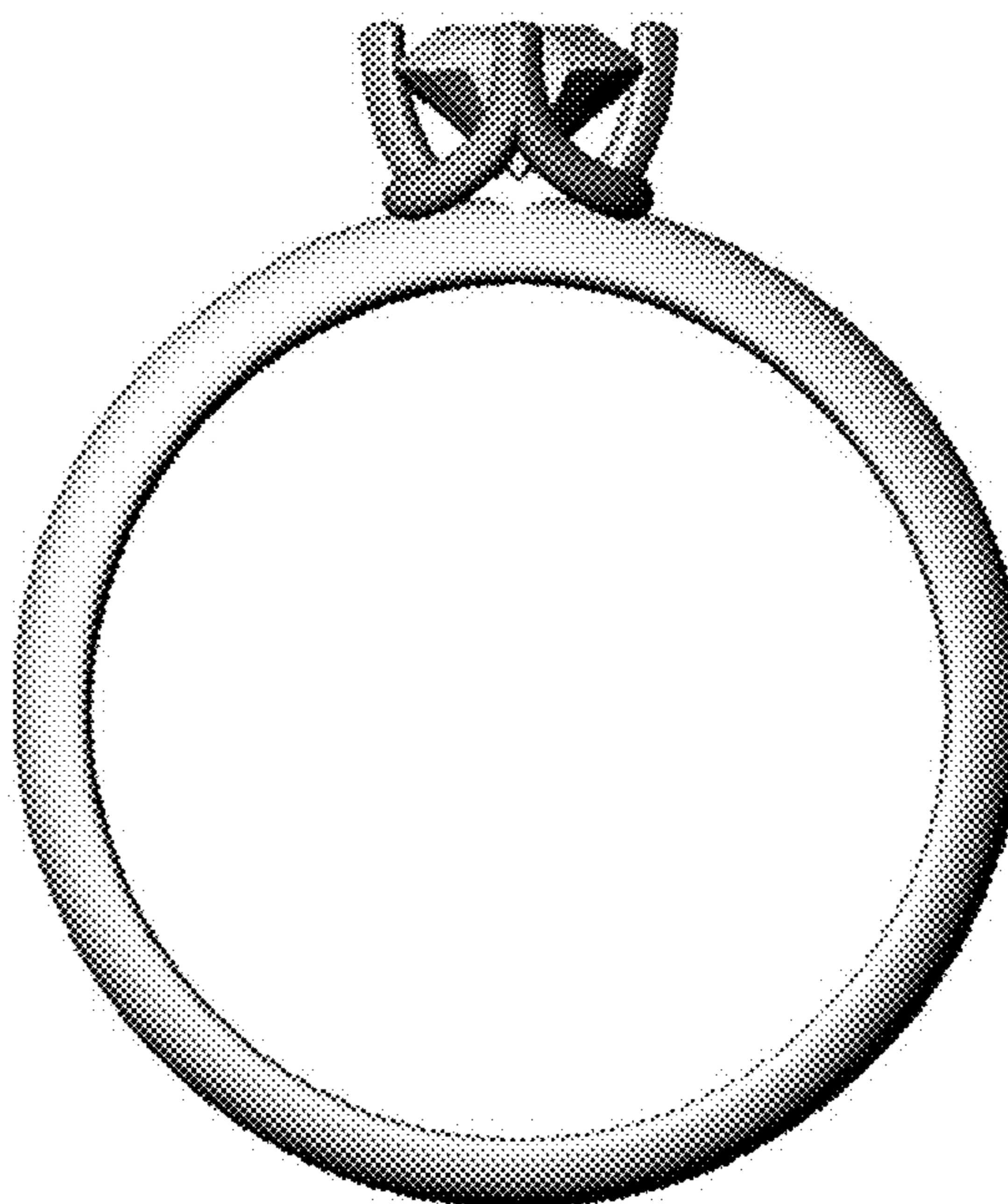


FIG. 14

