



US00D637096S

(12) **United States Design Patent**  
**Bayarsaikhan**

(10) **Patent No.:** **US D637,096 S**

(45) **Date of Patent:** **\*\* May 3, 2011**

(54) **ULTRASONIC DISTANCE SENSOR**

(75) Inventor: **Bayar Bayarsaikhan**, Leonberg (DE)

(73) Assignee: **Robert Bosch GmbH**, Stuttgart (DE)

(\*\*) Term: **14 Years**

(21) Appl. No.: **29/355,814**

(22) Filed: **Feb. 15, 2010**

(30) **Foreign Application Priority Data**

Dec. 22, 2009 (EM) ..... 001185995

(51) **LOC (9) Cl.** ..... **10-04**

(52) **U.S. Cl.** ..... **D10/70; D10/65**

(58) **Field of Classification Search** ..... D10/70,  
D10/74, 65; 340/933, 942, 436, 555, 556,  
340/435, 425.5; 250/222.1, 221

See application file for complete search history.

(56) **References Cited**

U.S. PATENT DOCUMENTS

D478,518 S \* 8/2003 Porter ..... D10/70  
D503,350 S \* 3/2005 Ragland et al. .... D10/70  
D525,888 S \* 8/2006 Porter ..... D10/70

\* cited by examiner

*Primary Examiner* — Antoine D Davis

(74) *Attorney, Agent, or Firm* — Maginot, Moore & Beck

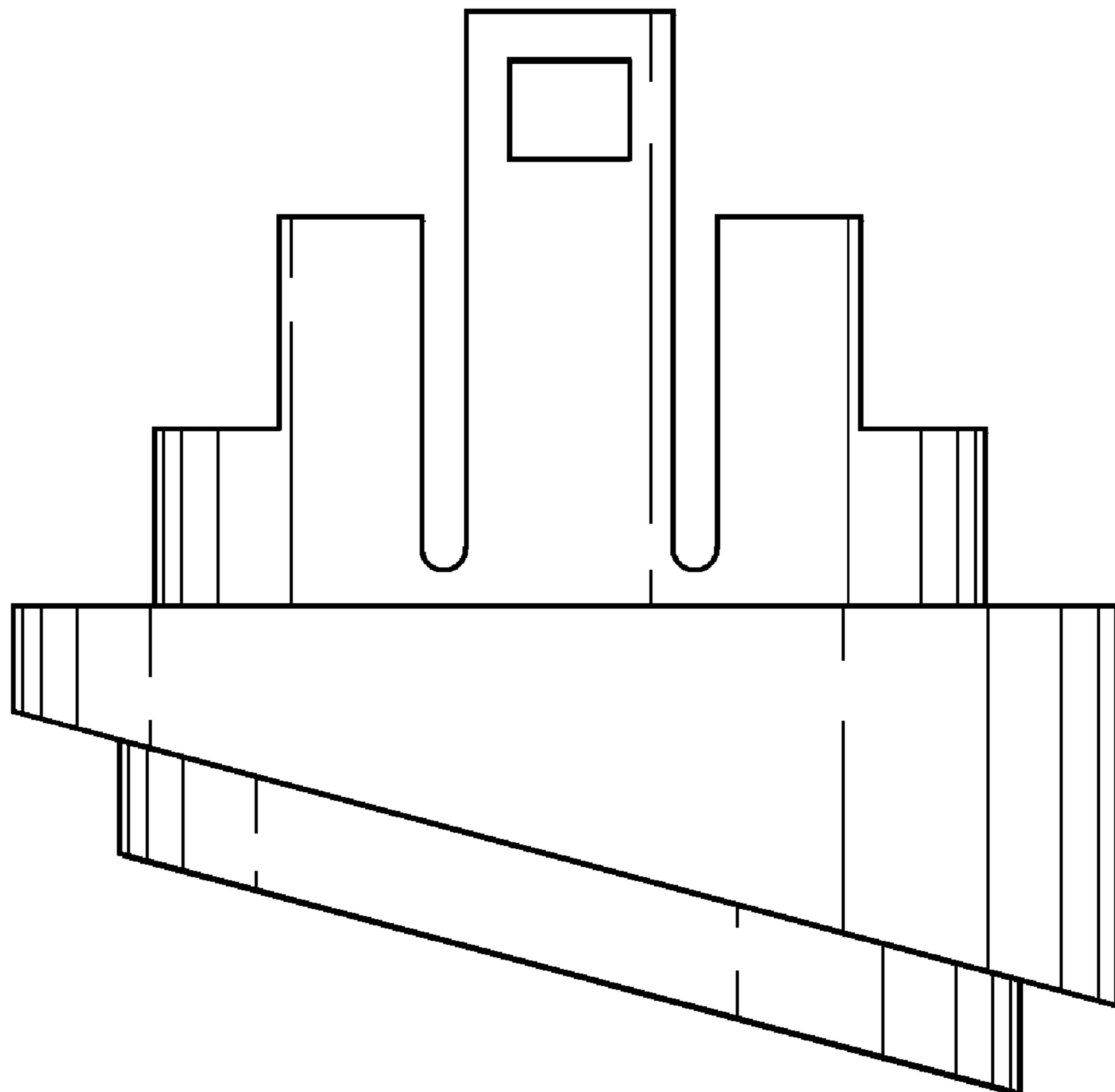
(57) **CLAIM**

The ornamental design for an ultrasonic distance sensor, as shown and described.

**DESCRIPTION**

FIG. 1 is a left elevational view of the ultrasonic distance sensor;  
FIG. 2 is a bottom left perspective view thereof;  
FIG. 3 is a top rear perspective view thereof;  
FIG. 4 is a bottom plan view thereof; and,  
FIG. 5 is a top front perspective view thereof.

**1 Claim, 3 Drawing Sheets**



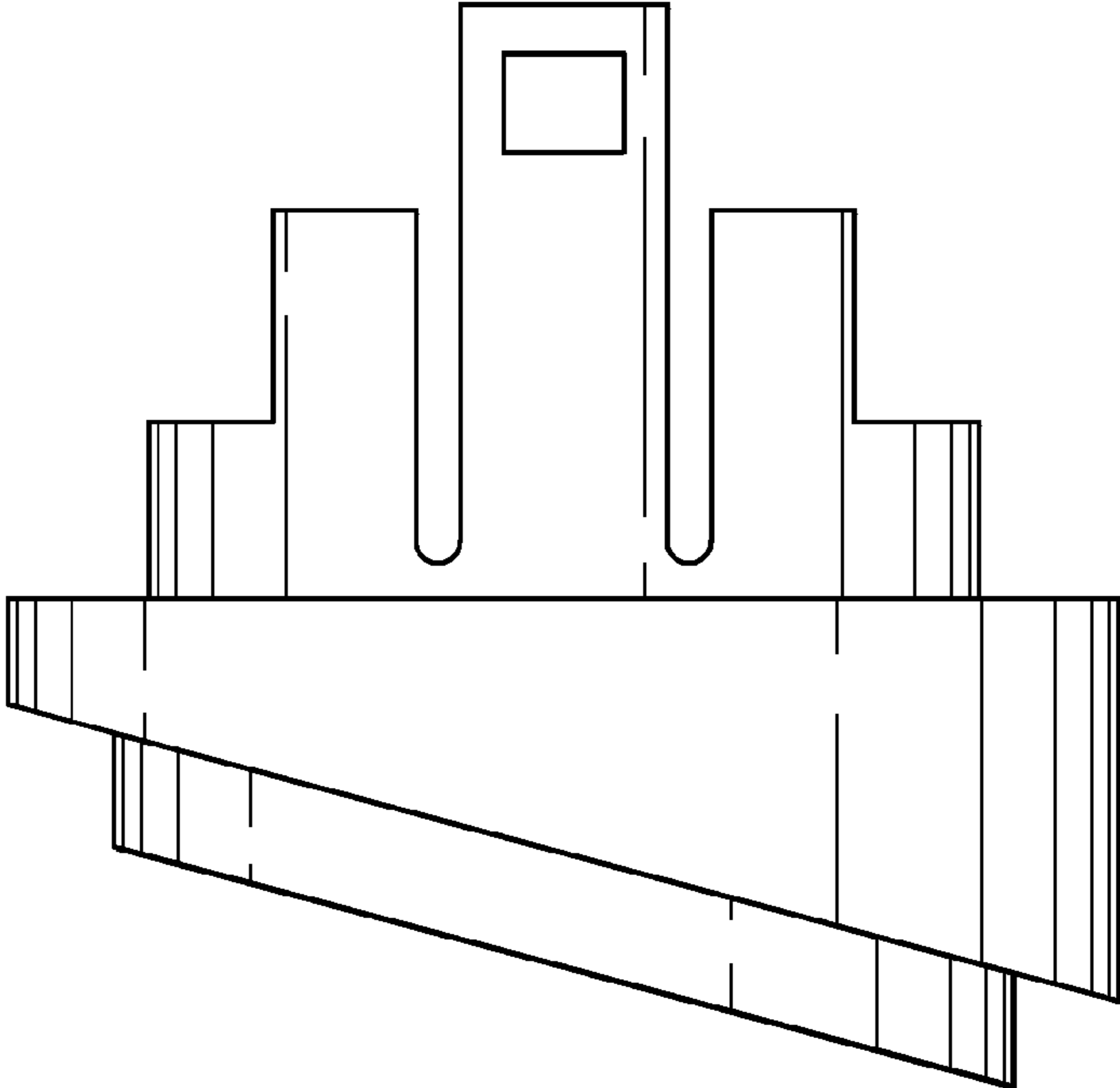


Fig. 1

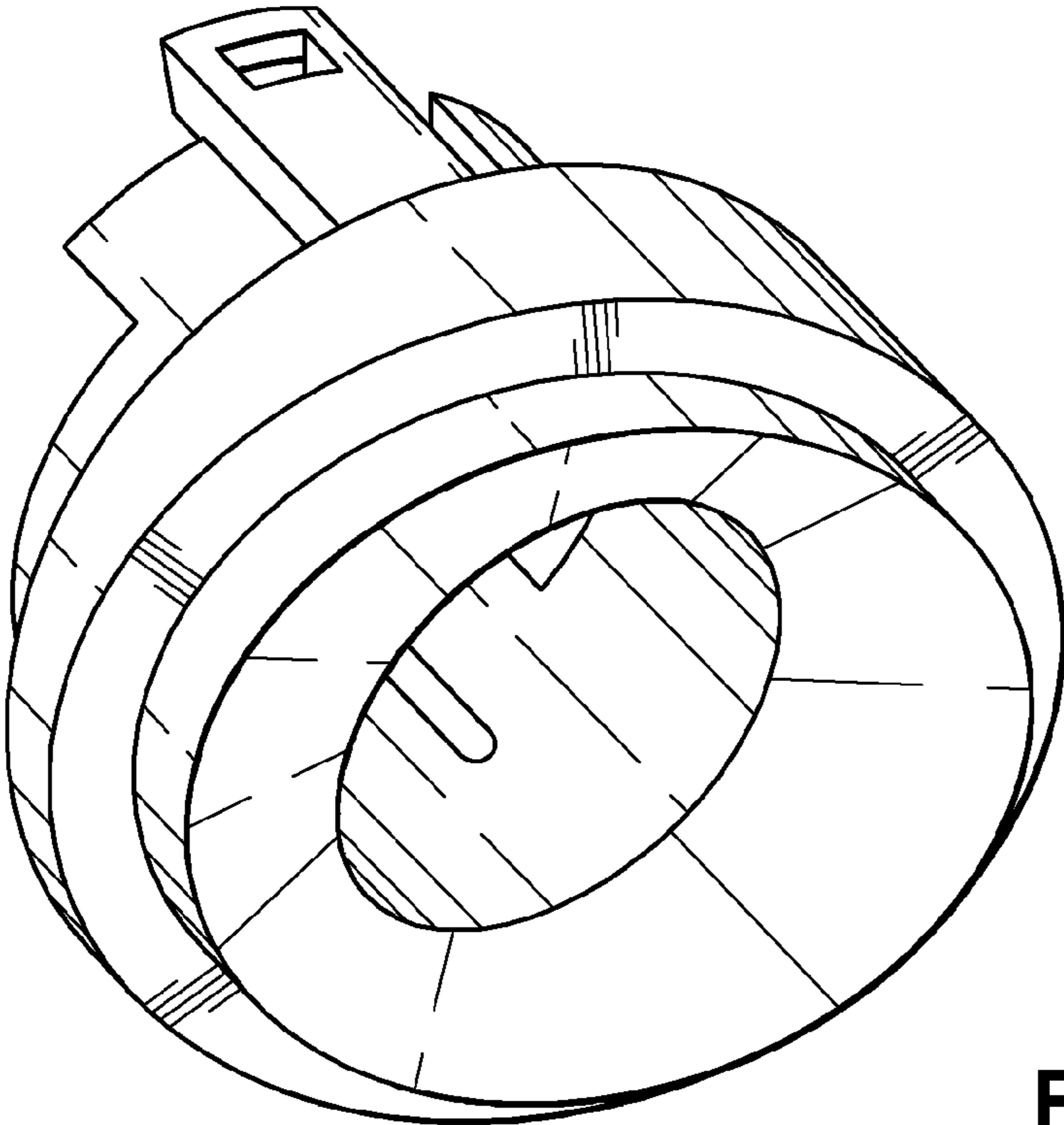


Fig. 2

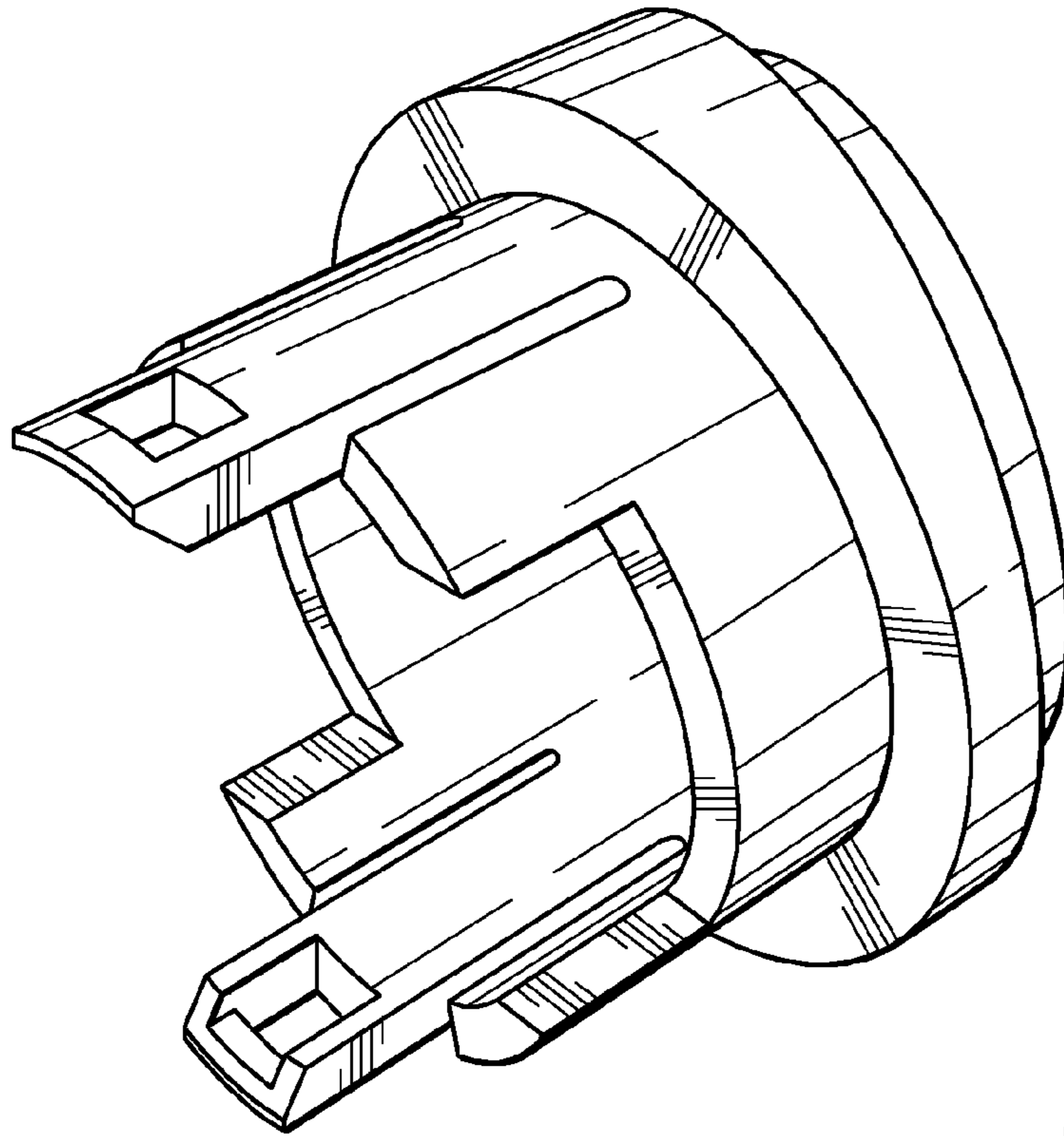


Fig. 3

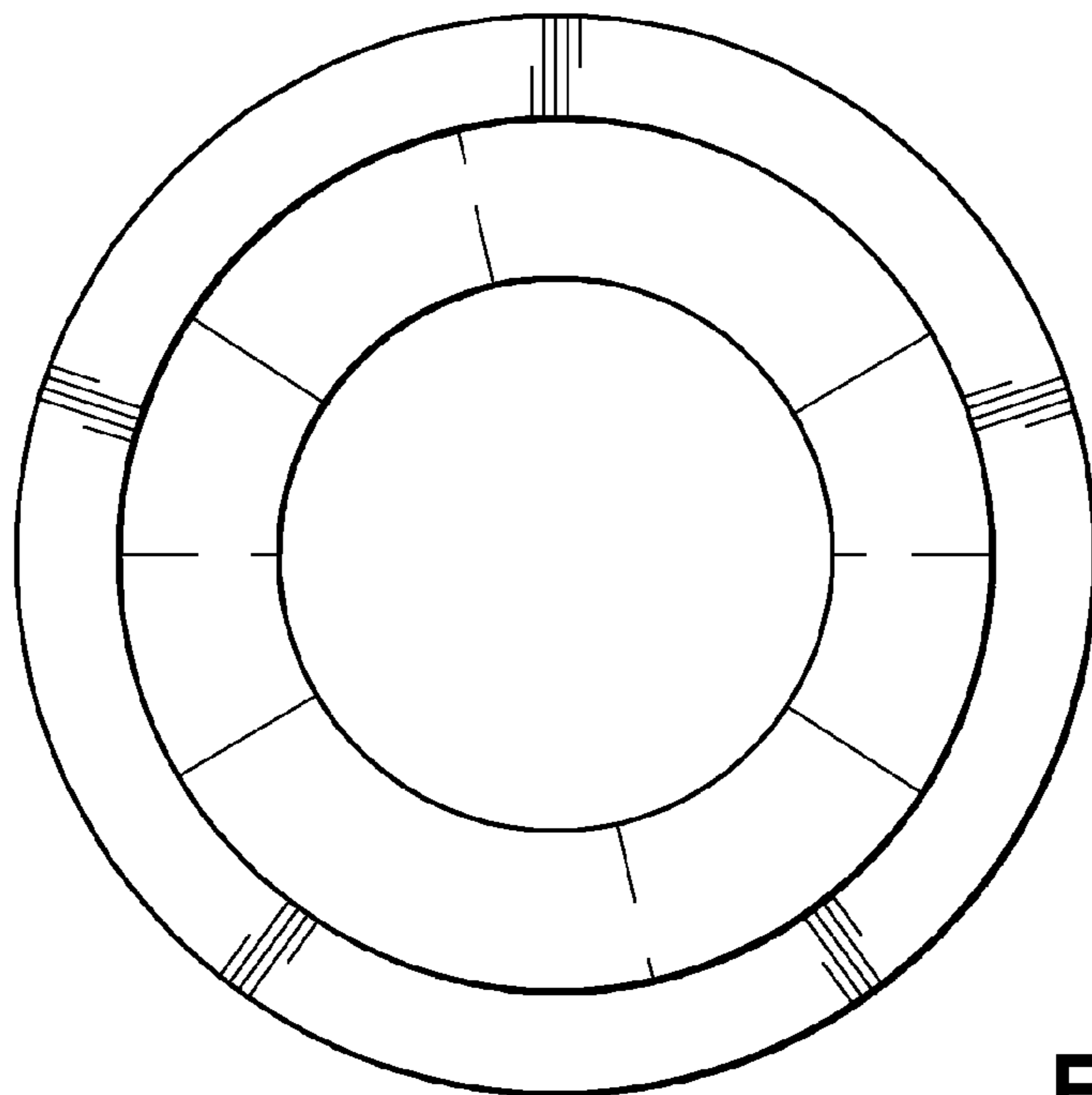


Fig. 4

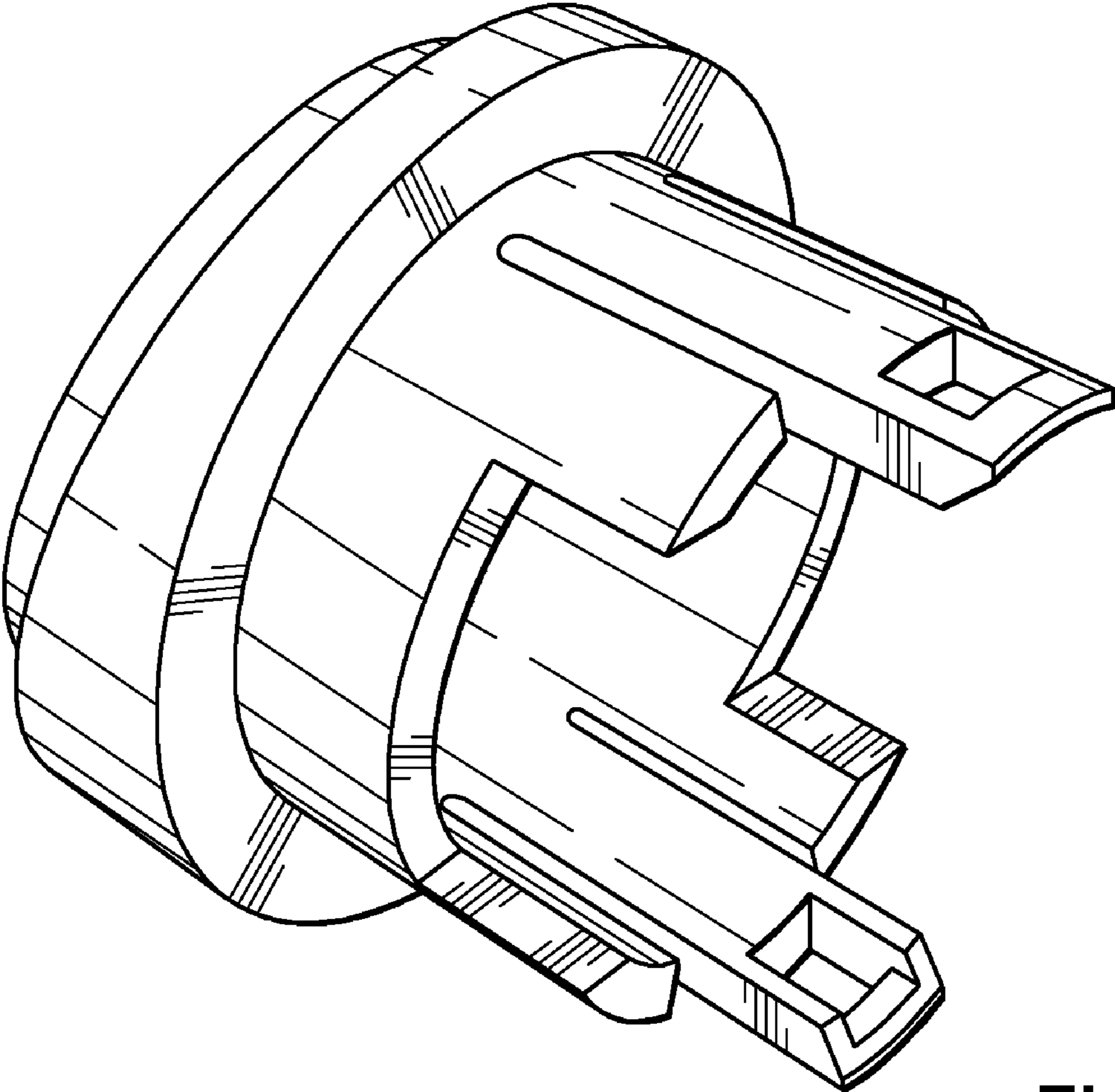


Fig. 5