



US00D637095S

(12) **United States Design Patent**
Vaptzarof

(10) **Patent No.:** **US D637,095 S**

(45) **Date of Patent:** **** May 3, 2011**

(54) **WATCH CASE**

(75) **Inventor:** **Philippe Vaptzarof, L'Abbaye (CH)**

(73) **Assignee:** **Audemars Piguet Marketing SA (CH)**

(**) **Term:** **14 Years**

(21) **Appl. No.:** **29/363,277**

(22) **Filed:** **Jun. 8, 2010**

(51) **LOC (9) Cl.** **10-02**

(52) **U.S. Cl.** **D10/38**

(58) **Field of Classification Search** D10/30-39;
368/276, 281, 282, 285, 288, 289, 290, 308,
368/318, 294, 295

See application file for complete search history.

D543,872 S *	6/2007	Garcia	D10/38
D566,581 S *	4/2008	Giannini	D10/32
D569,742 S *	5/2008	Scheufele	D10/39
D576,054 S *	9/2008	Vaptzarof	D10/38
D576,055 S *	9/2008	Vaptzarof	D10/39
D582,792 S *	12/2008	Lalo	D10/38
D582,793 S *	12/2008	Lalo	D10/38
D600,140 S *	9/2009	Giannini	D10/32
D607,346 S *	1/2010	Bove et al.	D10/38

* cited by examiner

Primary Examiner — Lucy Lieberman

(74) *Attorney, Agent, or Firm* — Galbreath Law Offices,
P.C.; John A. Galbreath

(57) **CLAIM**

The ornamental design for a watch case, as shown and described.

DESCRIPTION

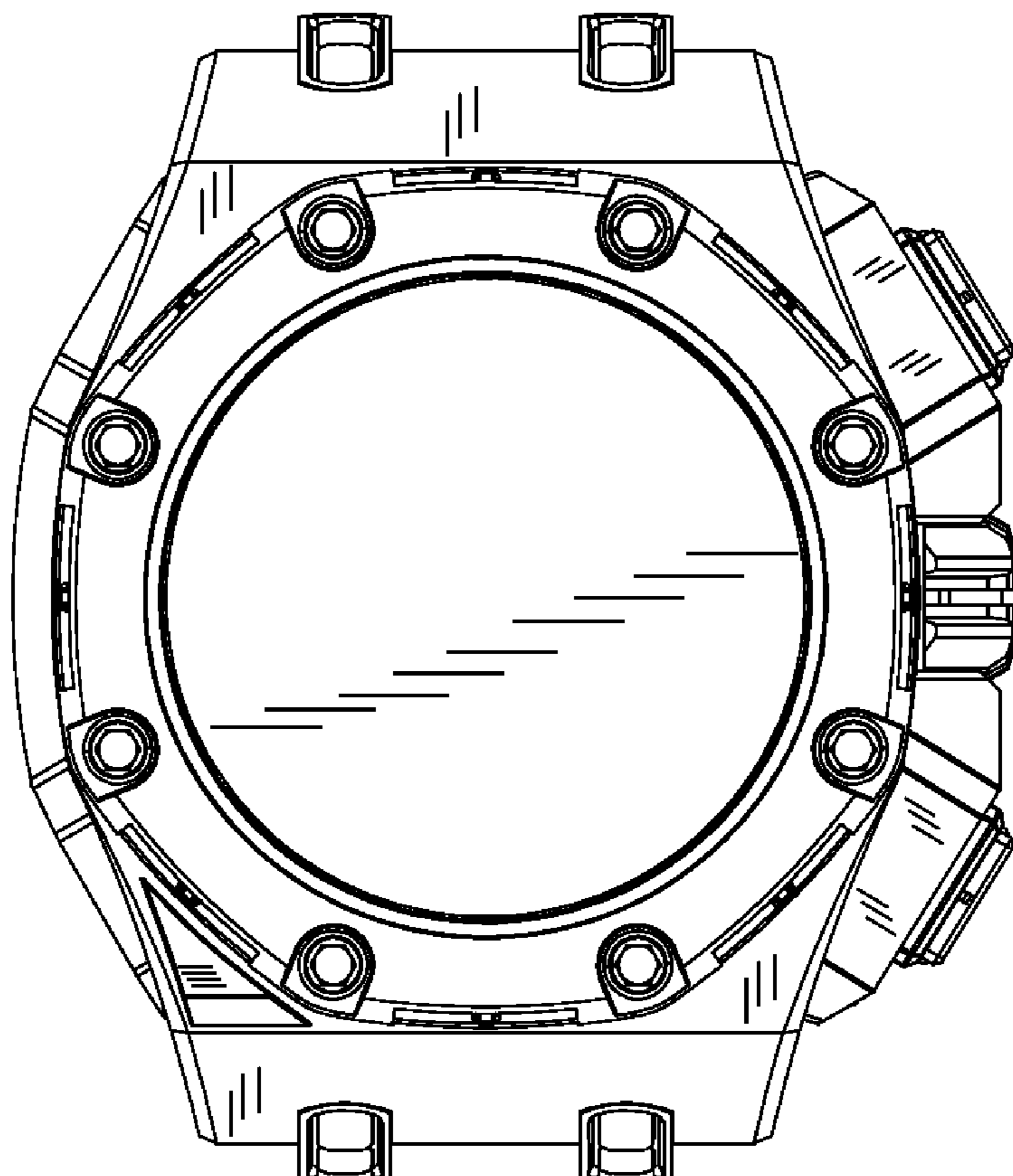
FIG. 1 is a front view of the invention;
FIG. 2 is a side view of the invention;
FIG. 3 is a top view of the invention;
FIG. 4 is another side view of the invention, showing the side opposite that shown in FIG. 2; and,
FIG. 5 is a bottom view of the invention.

1 Claim, 1 Drawing Sheet

(56) **References Cited**

U.S. PATENT DOCUMENTS

D479,135 S *	9/2003	Emmenegger	D10/30
D490,722 S *	6/2004	Weismann et al.	D10/39
6,762,976 B1 *	7/2004	Tamaru et al.	368/294
D523,357 S *	6/2006	Kummer	D10/38
D534,084 S *	12/2006	Linde	D10/39
D539,669 S *	4/2007	Vaptzarof	D10/31
D539,674 S *	4/2007	Vaptzarof	D10/38



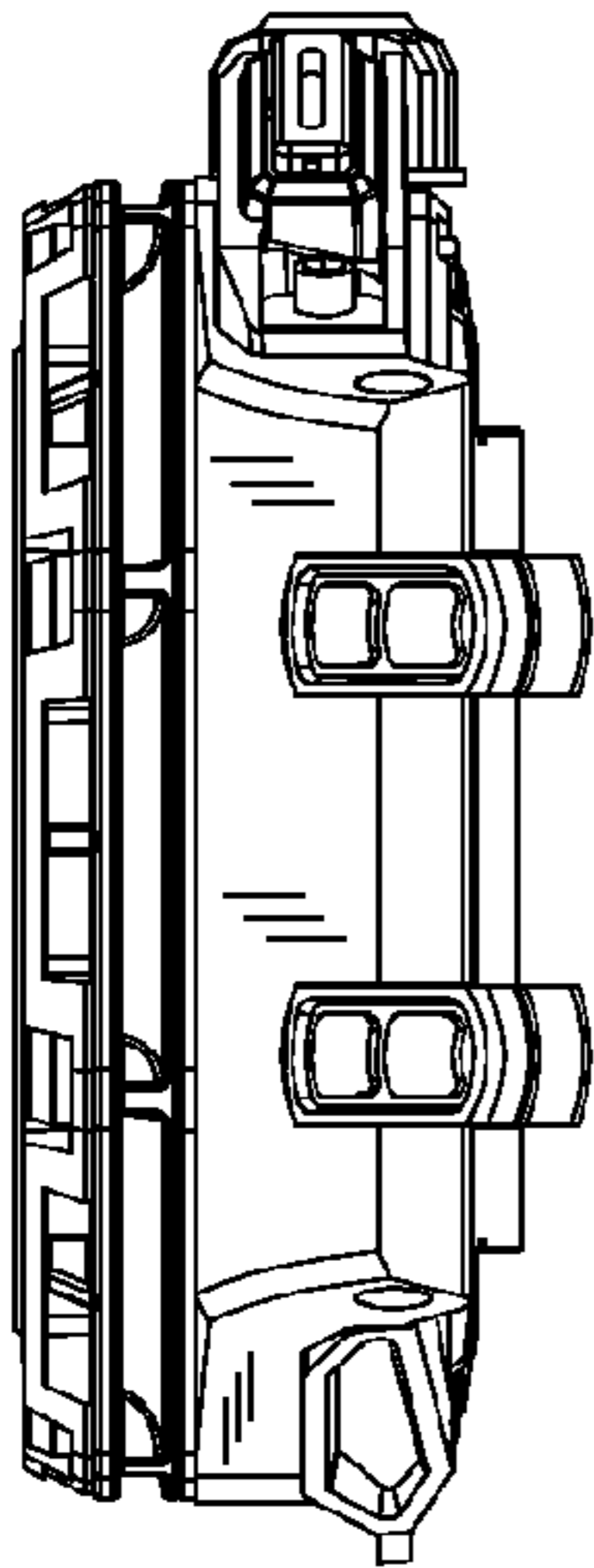


Fig 1

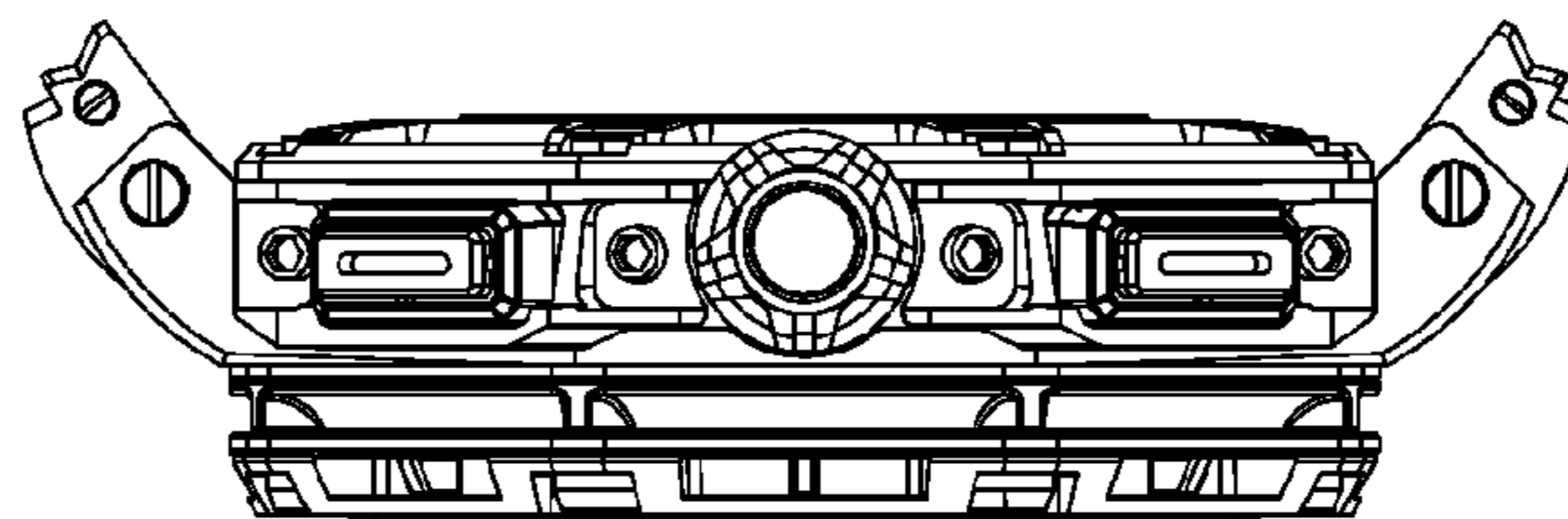


Fig 2

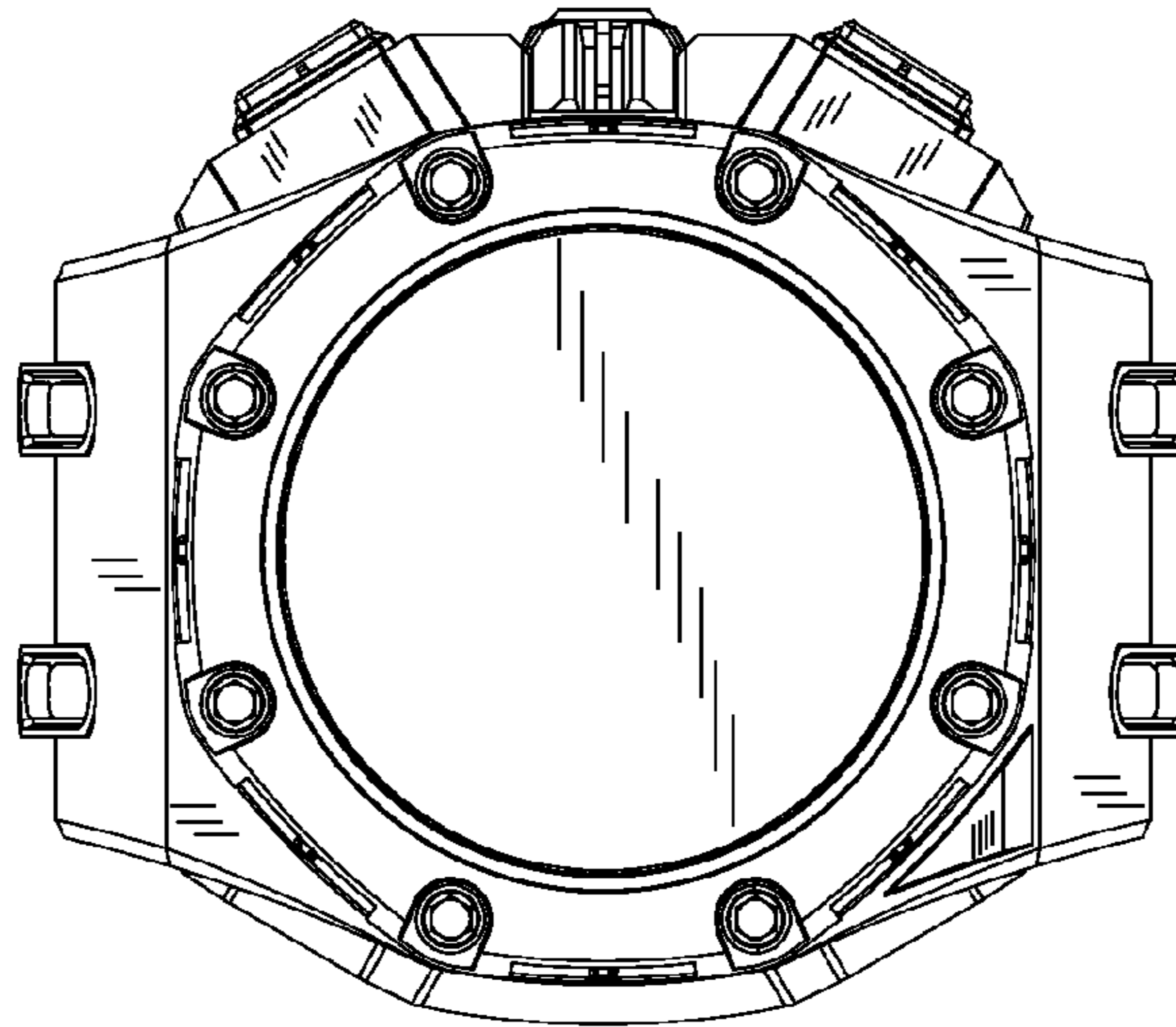


Fig 3

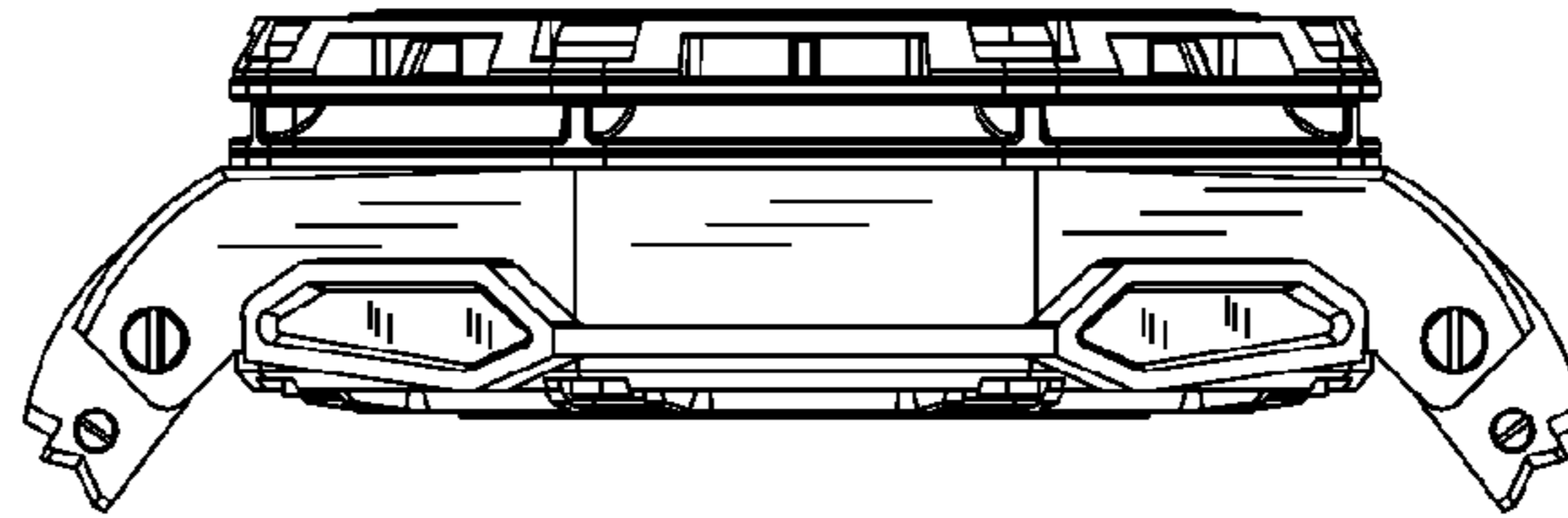


Fig 4

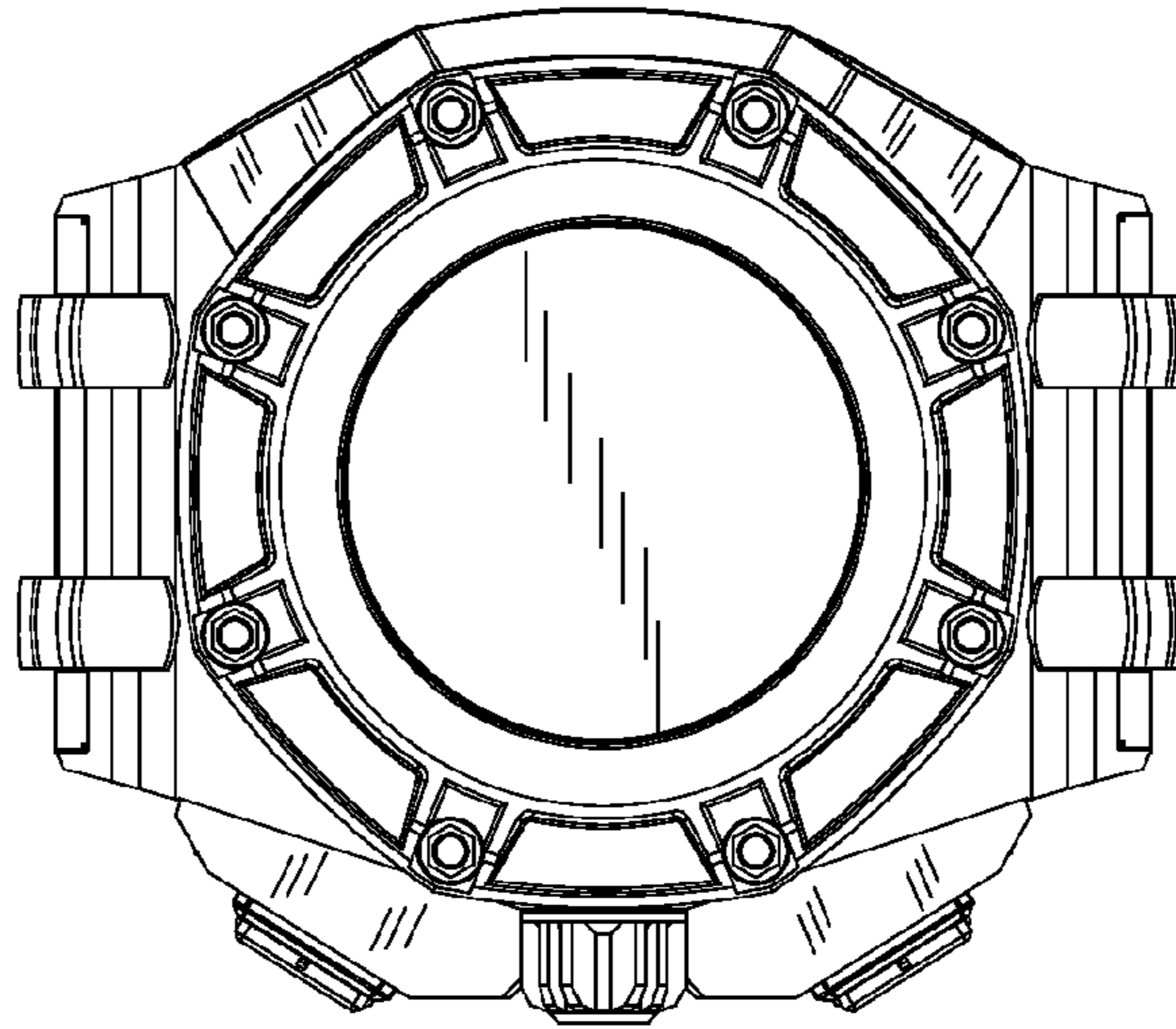


Fig 5