



US00D637094S

(12) **United States Design Patent**
Cobbett et al.

(10) **Patent No.:** **US D637,094 S**

(45) **Date of Patent:** **** May 3, 2011**

(54) **WATCH**

(75) Inventors: **Jamian R. Cobbett**, Portland, OR (US);
Philip A. Frank, Portland, OR (US)

(73) Assignee: **NIKE, Inc.**, Beaverton, OR (US)

(**) Term: **14 Years**

(21) Appl. No.: **29/382,489**

(22) Filed: **Jan. 4, 2011**

(51) **LOC (9) Cl.** **10-02**

(52) **U.S. Cl.** **D10/32**

(58) **Field of Classification Search** D10/30-39;
368/10, 276, 278, 281, 282; D11/3, 2
See application file for complete search history.

(56) **References Cited**

U.S. PATENT DOCUMENTS

2,191,314 A	2/1940	Davis	
D217,015 S	3/1970	Cowan	
3,521,798 A	7/1970	Hill	
D220,523 S	4/1971	Cowan	
D220,524 S	4/1971	Cowan	
D220,529 S	4/1971	Cowan	
D239,512 S *	4/1976	Tsukui	D10/38
D248,631 S	7/1978	Lossini	
D254,964 S	5/1980	Hofman	
D255,017 S	5/1980	Hofman	
D279,671 S	7/1985	Stanton	
D284,642 S *	7/1986	Kabaya	D10/38
D285,422 S	9/1986	Grimes	
D286,511 S	11/1986	Wada	
D291,973 S	9/1987	Doi	
D304,305 S *	10/1989	Morishima	D10/38
D313,941 S *	1/1991	Wakamatsu	D10/38
D317,872 S	7/1991	Dobashi	
D327,440 S	6/1992	Galli	
D339,748 S	9/1993	Choi	
D346,762 S	5/1994	Hysek	
D349,257 S	8/1994	Polenberg	
D355,611 S	2/1995	Hanagata	

D366,036 S	1/1996	Houlihan	
D391,860 S	3/1998	Kubo	
D391,862 S *	3/1998	Sugisawa et al.	D10/30
D395,403 S	6/1998	Hysek	
D401,159 S	11/1998	Sugita	
D410,406 S *	6/1999	Iwamoto et al.	D11/3
D410,854 S	6/1999	Cheung et al.	
D413,818 S *	9/1999	Baumann	D10/32
D432,437 S *	10/2000	Lassigne	D10/32
D445,697 S *	7/2001	Hysek	D10/30
D446,130 S *	8/2001	Nakanishi	D10/38
D448,680 S *	10/2001	Kubo	D10/30
D451,420 S *	12/2001	Komulainen	D11/3

(Continued)

OTHER PUBLICATIONS

Nike+ SportBand, Nike, Inc., one full-color sheet of photographs, disclosed on or about Apr. 2008.

(Continued)

Primary Examiner — Lucy Lieberman

(74) *Attorney, Agent, or Firm* — Banner & Witcoff, Ltd.

(57) **CLAIM**

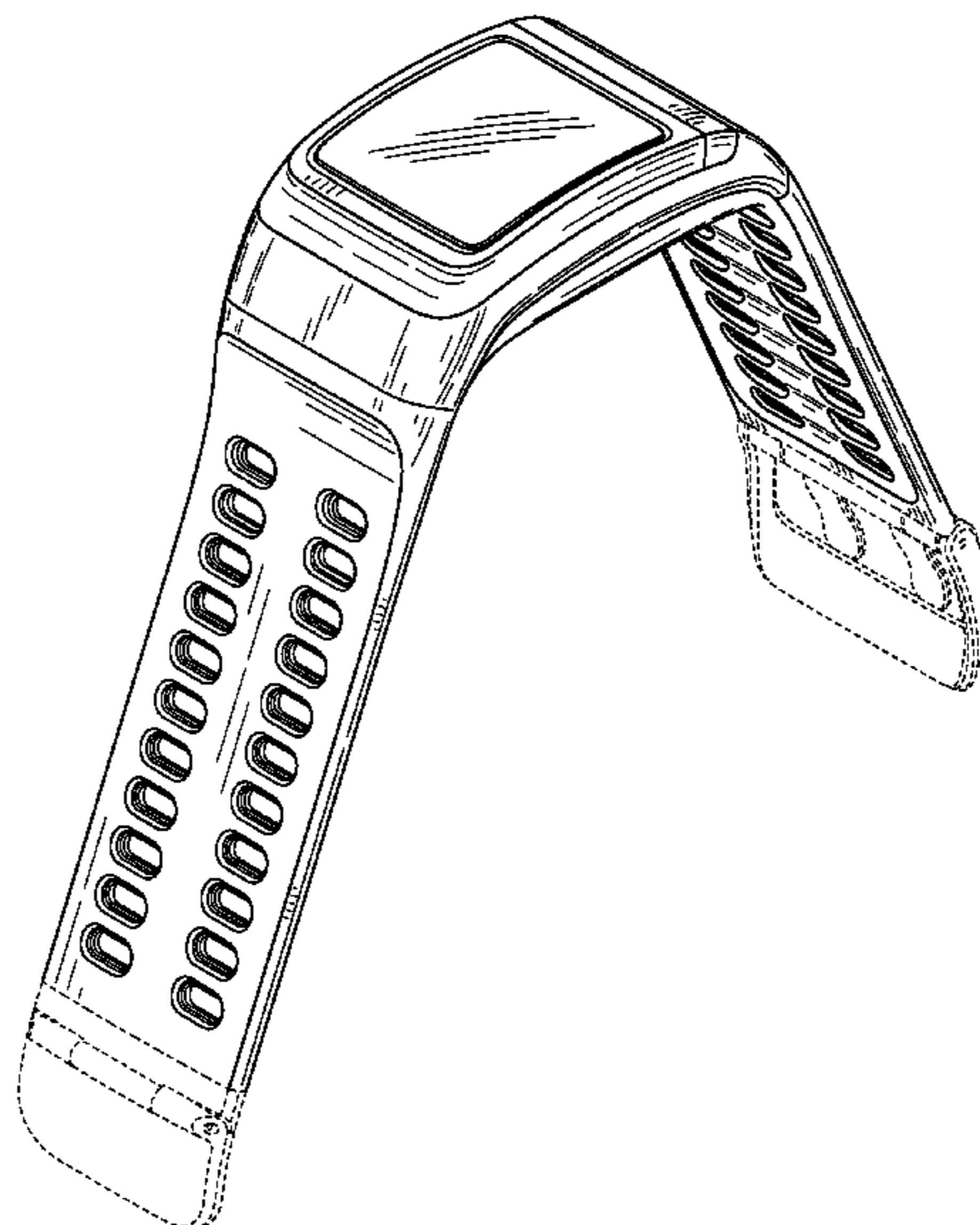
The ornamental design for a watch, as shown and described.

DESCRIPTION

FIG. 1 is a perspective view of a watch showing our new design;
FIG. 2 is a bottom view thereof;
FIG. 3 is a top view thereof;
FIG. 4 is a right side view thereof;
FIG. 5 is a left side view thereof;
FIG. 6 is a front view thereof; and,
FIG. 7 is a rear view thereof.

The broken lines immediately adjacent to the shaded area represent unclaimed boundaries of the design. The broken lines showing the remainder of the watch are for environmental purposes only and form no part of the claimed design.

1 Claim, 5 Drawing Sheets



U.S. PATENT DOCUMENTS

D452,006	S	12/2001	Komulainen	
D455,084	S	4/2002	Mauboussin	
D460,430	S	7/2002	Wada et al.	
D464,273	S	10/2002	Nussbaum	
D475,306	S	6/2003	Modolo	
D475,935	S *	6/2003	Modolo	D10/39
D497,827	S *	11/2004	Yamamoto	D11/3
D508,210	S	8/2005	Lalo	
D513,195	S	12/2005	Gruosi	
7,006,408	B2 *	2/2006	Chen	368/10
D526,215	S	8/2006	Calvani	
D526,912	S	8/2006	Calvani	
D534,438	S *	1/2007	Bedat	D10/32
D535,205	S	1/2007	Frederick et al.	
D538,687	S	3/2007	Komulainen	
D544,377	S *	6/2007	Chodat	D10/38
D545,220	S *	6/2007	Leung	D10/31
D563,799	S *	3/2008	Holtzman	D10/39
D564,367	S	3/2008	Molyneux	
D564,904	S *	3/2008	Leung	D10/31
7,345,954	B2 *	3/2008	Ehrsam et al.	368/10
D566,583	S *	4/2008	Holtzman	D10/39
D571,249	S *	6/2008	Frederick et al.	D11/4
D580,277	S	11/2008	Brady et al.	
D581,826	S	12/2008	Molyneux	
D589,375	S	3/2009	Tang	
D590,278	S	4/2009	Holtzman	
D598,301	S *	8/2009	Moritz	D10/32
D606,423	S	12/2009	Mille	
D619,928	S	7/2010	Bodino et al.	
7,778,118	B2	8/2010	Lyons et al.	
D623,965	S	9/2010	Sullivan et al.	
D628,498	S *	12/2010	Arellano	D10/38
2006/0140055	A1 *	6/2006	Ehrsam et al.	368/10
2007/0064542	A1 *	3/2007	Fukushima	368/282
2010/0311544	A1	12/2010	Robinette et al.	
2011/0003665	A1 *	1/2011	Burton et al.	482/9
2011/0007468	A1 *	1/2011	Burton et al.	361/679.03
2011/0032105	A1 *	2/2011	Hoffman et al.	340/573.1

OTHER PUBLICATIONS

Garmin Forerunner 310XT, disclosed on or about Apr. 2009, [online], [site visited Jan. 26, 2011]. Available from Internet, <URL: http://dvice.com/archives/2009/04/garmin_forerunn.php>.

E-Ink Digital Display Watch, disclosed on or about Feb. 2010, [online], [site visited Jan. 26, 2011]. Available from Internet, <URL: <http://www.thinkgeek.com>>.

Tokyoflash USB Memory Watch, disclosed on or about Mar. 2010, [online], [site visited Jan. 26, 2011]. Available from Internet, <URL: <http://www.tokyoflash.com/blog/2010/03/usb-memory-watch>>.

Gadget4All USB Wristwatch, disclosed on or about May 2009, [online], [site visited Jan. 26, 2011]. Available from Internet, <URL: <http://www.technology-guide.co.uk/post/2009/05/26/Watches-with-built-in-flash-drive.aspx>>.

Design-Brothers Timeless Watch, disclosed on or about Aug. 2008, [online], [site visited Jan. 26, 2011]. Available from Internet, <URL: <http://gadgets.boingboing.net/2008/08/08/usb-watch-strap-weds.html>>.

USB Bracelet, disclosed on or about Mar. 2006, [online], [site visited Jan. 26, 2011]. Available from Internet, <URL: <http://techtickerblog.com/2006/03/20/weird-usb-devices>>.

USB Memory Watch, disclosed on or about Nov. 2007, [online], [site visited Jan. 26, 2011]. Available from Internet, <URL: <http://www.citywatchinternational.com>>.

Edge Tech DiskGO USB Watch Flash Drive (Sport Style), disclosed on or about Jan. 2010, [online], [site visited Jan. 26, 2011]. Available from Internet, <URL: <http://www.edgetechcorp.com>>.

Migo Smart USB Watch, disclosed on or about Jun. 2005, [online], [site visited Jan. 26, 2011]. Available from Internet, <URL: <http://www.smh.com.au/newx/hardware/data-watch/2005/06/15/1118645849587.html>>.

LAKS USB Drive Sports Watch, disclosed on or about Jul. 2003, [online], [site visited Jan. 26, 2011]. Available from Internet, <URL: <http://www.ateam.com.tw/usb%20watch.htm>>.

USB Hidden Flash Drive Watch, disclosed on or about Dec. 2008, [online], [site visited Jan. 26, 2011]. Available from Internet, <URL: <http://www.thinkgeek.com>>.

USB Flash Drive Watch, disclosed on or about Nov. 2010, [online], [site visited Jan. 26, 2011]. Available from Internet, <URL: <http://www.geekalerts.com/usb-flash-drive-watch>>.

Edge Tech DiskGO USB Watch Flash Drive (Dress Style), disclosed on or about Jan. 2010, [online], [site visited Jan. 26, 2011]. Available from Internet, <URL: <http://www.edgetechcorp.com>>.

USB Jewel Watch Necklace, disclosed on or about Jun. 2009, [online], [site visited Jan. 26, 2011]. Available from Internet, <URL: <http://gadgets.boingboing.net/2009/06/16/diamond-usb-watch-ne.html>>.

SpyNet Mission Video Watch, disclosed on or about Feb. 2010, [online], [site visited Jan. 26, 2011]. Available from Internet, <URL: <http://www.thinkgeek.com>>.

* cited by examiner

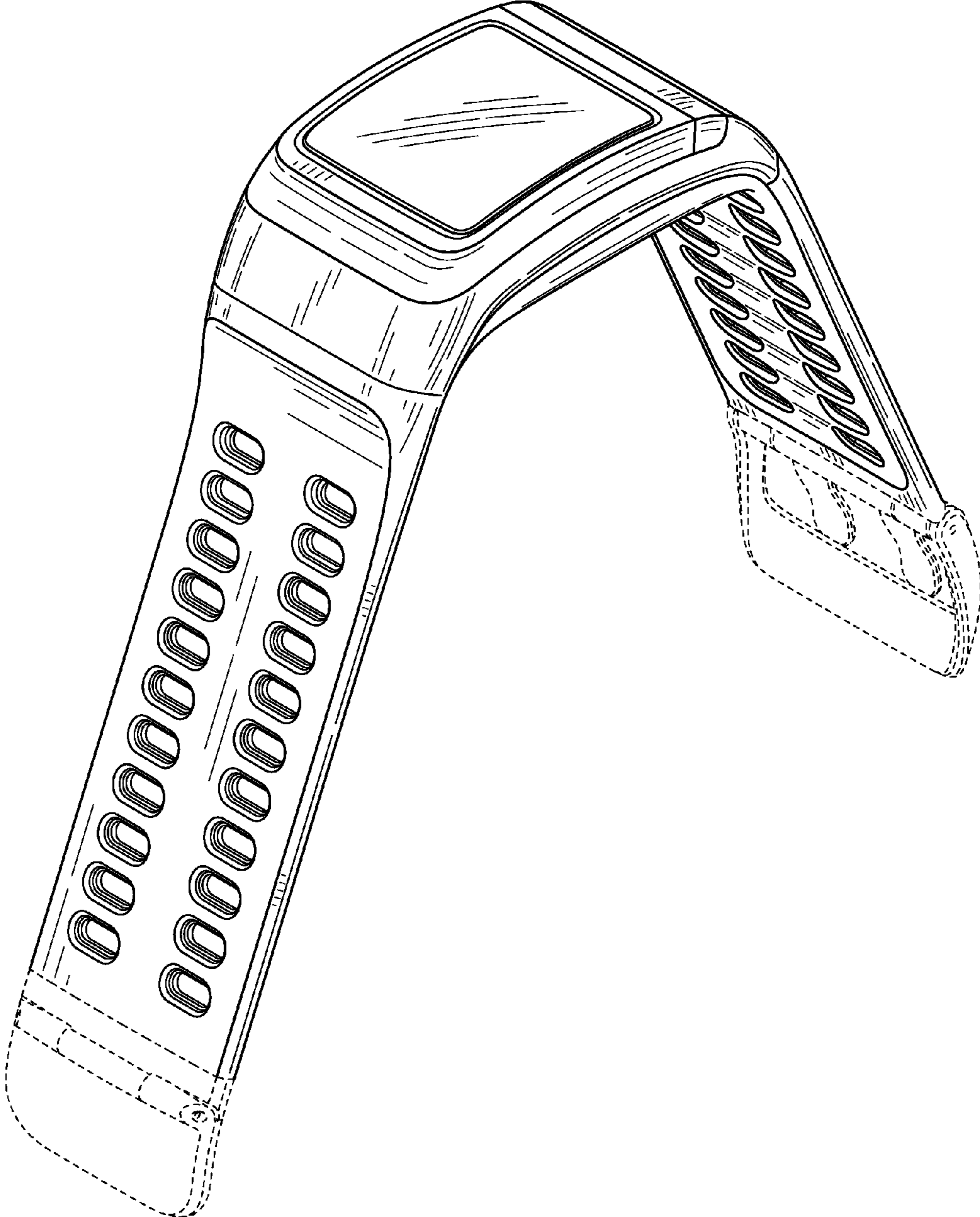


FIG. 1

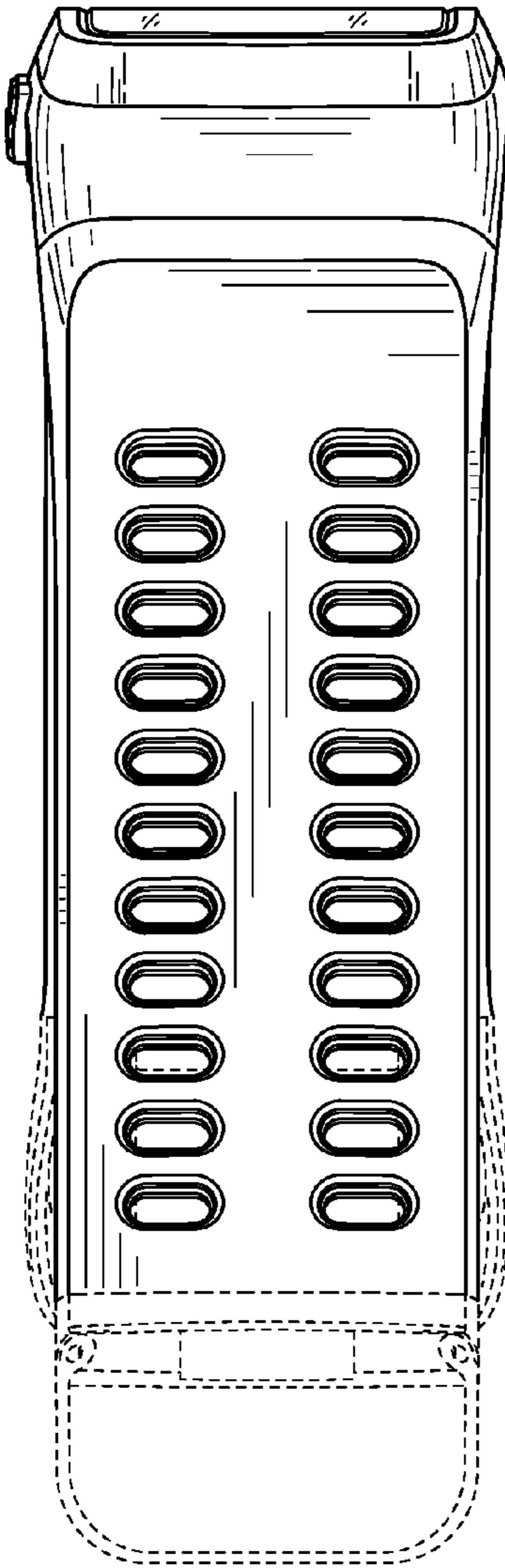


FIG. 2

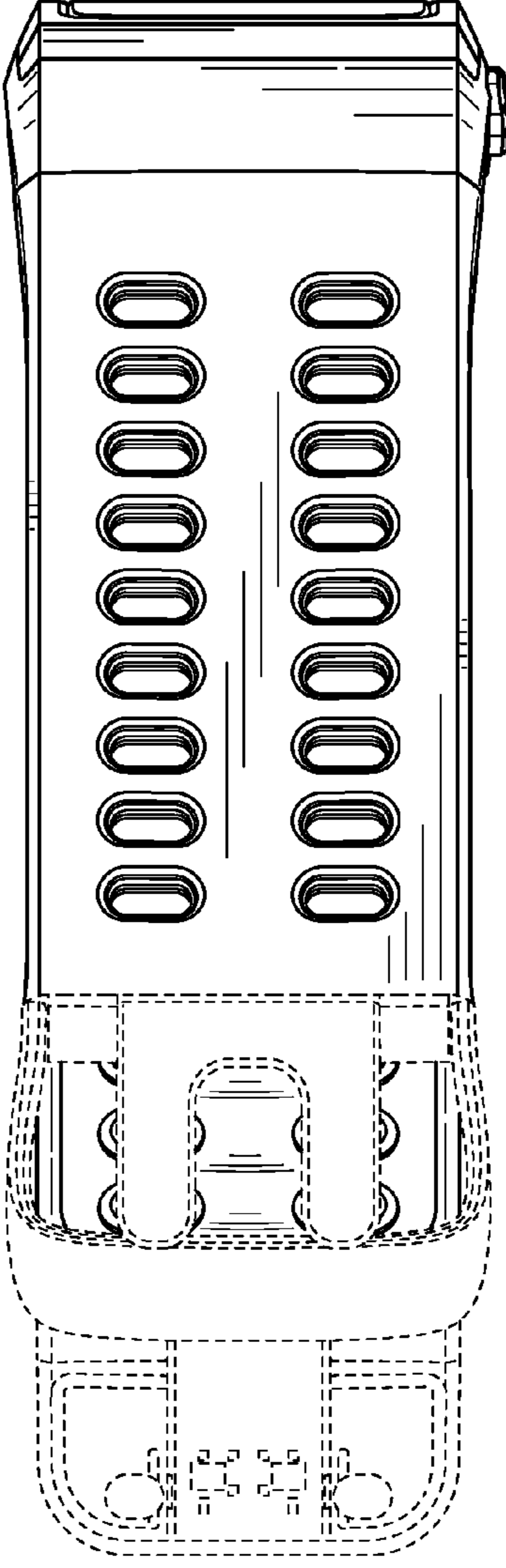


FIG. 3

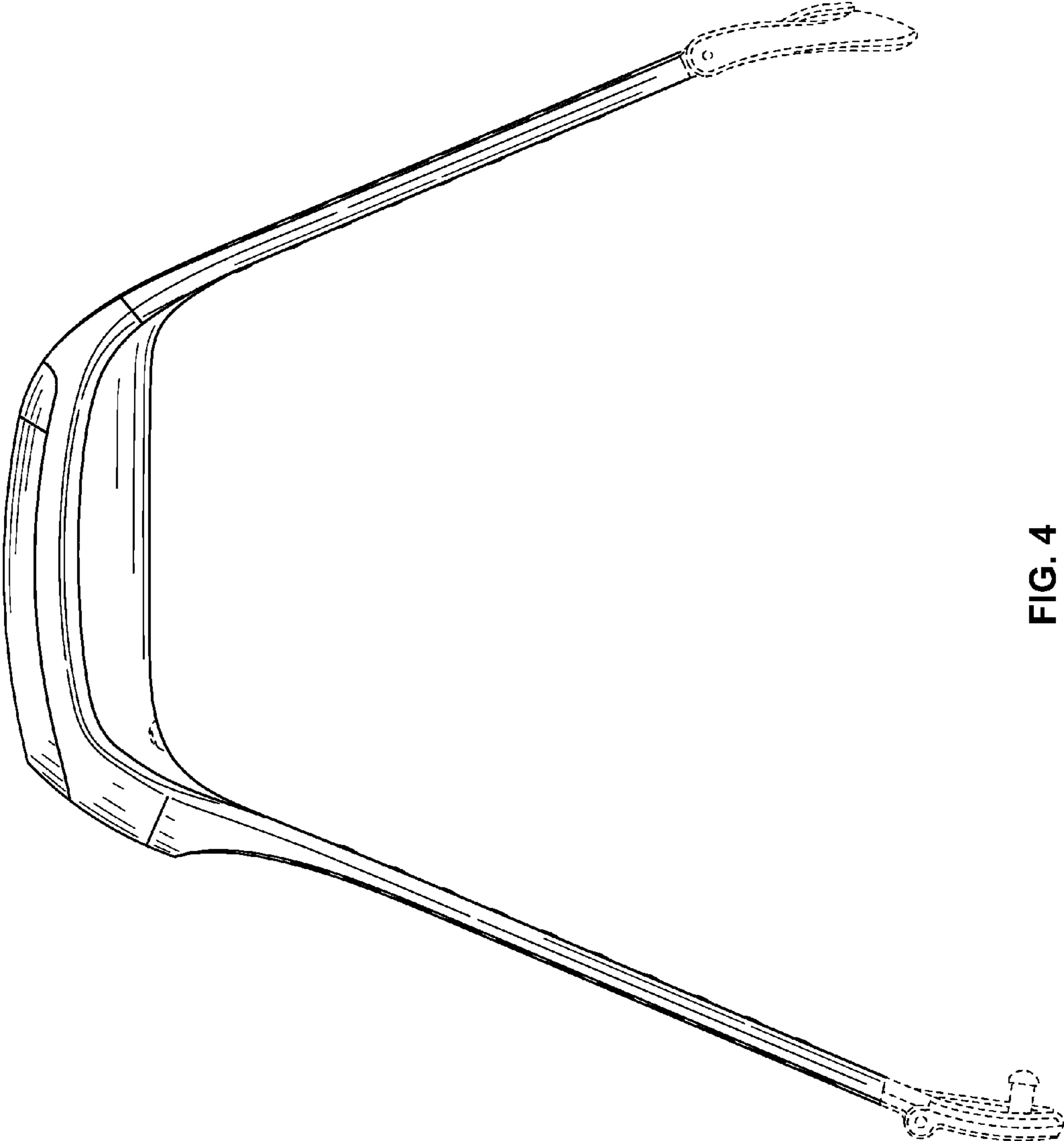


FIG. 4

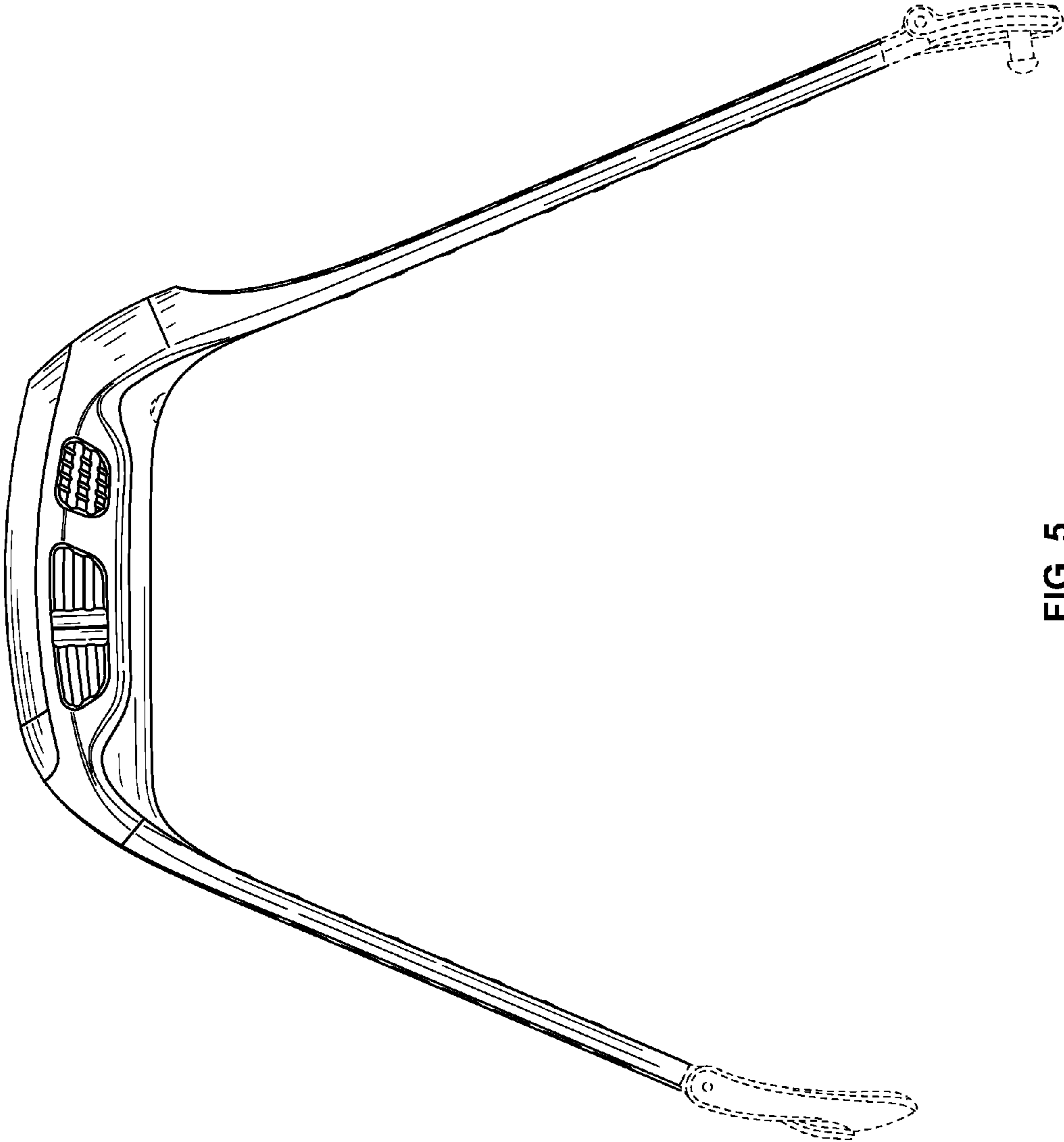


FIG. 5

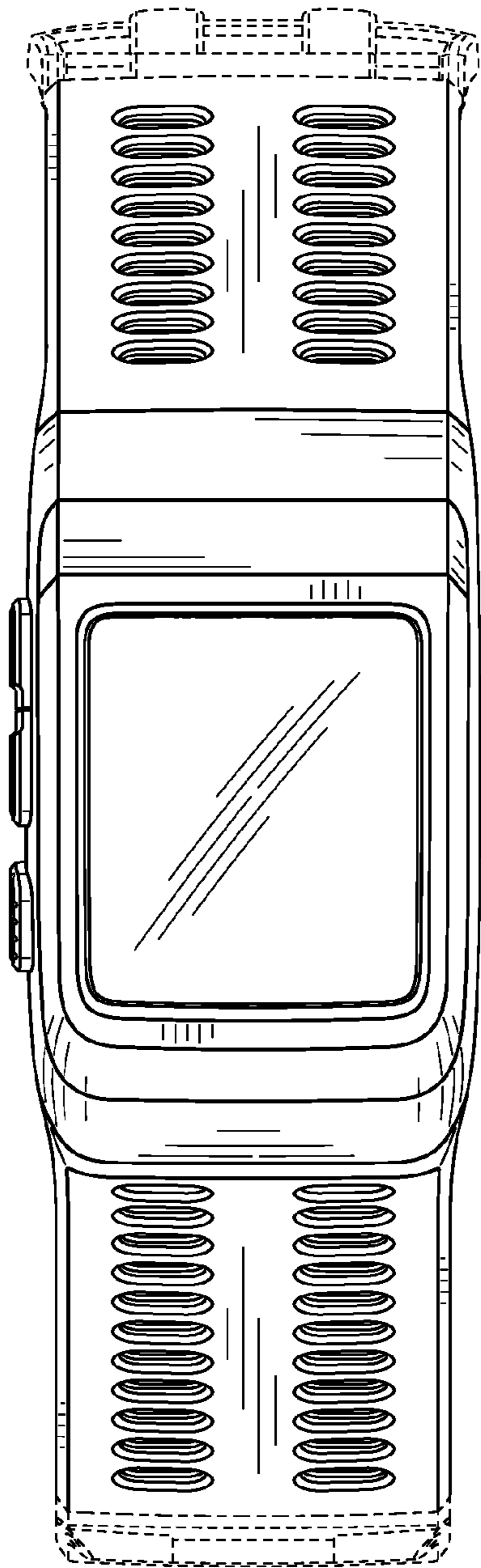


FIG. 6

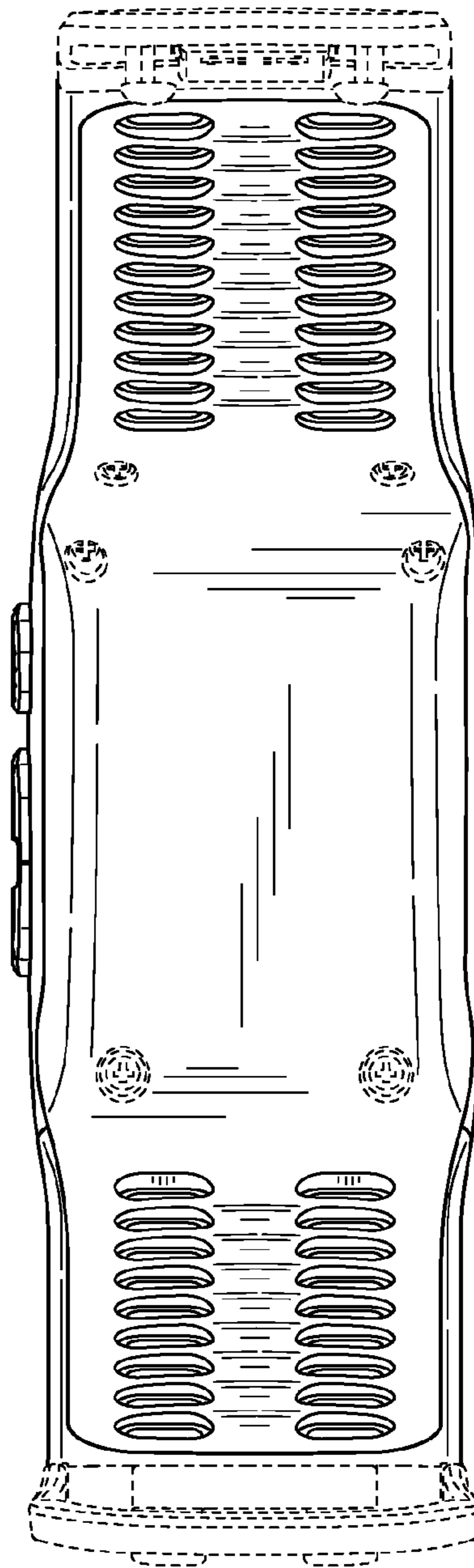


FIG. 7