



US00D637084S

(12) **United States Design Patent**
Kissinger et al.

(10) **Patent No.:** **US D637,084 S**

(45) **Date of Patent:** **** May 3, 2011**

(54) **CONTAINER BODY PORTION**

(75) Inventors: **Jeffrey Kissinger**, Wadsworth, OH (US);
Marc A. Pedmo, Litchfield, OH (US);
Christopher E. Kaminski, Northfield
Center, OH (US)

(73) Assignee: **Plastipak Packaging, Inc.**, Plymouth,
MI (US)

(**) Term: **14 Years**

(21) Appl. No.: **29/353,367**

(22) Filed: **Jan. 7, 2010**

(51) **LOC (9) Cl.** **09-01**

(52) **U.S. Cl.** **D9/541; D9/543; D9/560; D9/566;**
D9/570; D9/571

(58) **Field of Classification Search** **D9/516,**
D9/530, 537-543, 560, 566, 569-570, 574-575;
215/381-385

See application file for complete search history.

(56) **References Cited**

U.S. PATENT DOCUMENTS

D70,732 S *	8/1926	Dengler et al.	D9/556
D292,378 S *	10/1987	Brandt et al.	D9/557
D294,118 S *	2/1988	Papa	D9/520
D295,499 S *	5/1988	LeFevre	D9/556
D299,314 S *	1/1989	LeFevre	D9/558 X
4,818,575 A *	4/1989	Hirata et al.	215/383 X
5,067,622 A *	11/1991	Garver et al.	215/381
D331,881 S *	12/1992	Garver et al.	D9/557 X
D346,556 S *	5/1994	Sirico et al.	D9/538
D403,243 S *	12/1998	Takeuchi et al.	D9/556 X

6,044,996 A *	4/2000	Carew et al.	215/381
D439,166 S *	3/2001	Denner et al.	D9/538
D467,813 S *	12/2002	Silvers et al.	D9/538
D478,817 S *	8/2003	Yourist	D9/530
D495,602 S *	9/2004	Daly et al.	D9/516
D505,077 S *	5/2005	Piccioli et al.	D9/540 X
D563,794 S *	3/2008	Zboch et al.	D9/551
D568,167 S *	5/2008	Sasaki et al.	D9/560
D580,270 S *	11/2008	Futral	D9/541
7,481,325 B2 *	1/2009	Simpson et al.	215/384
D588,917 S *	3/2009	Shmagin	D9/516

* cited by examiner

Primary Examiner — Carol Rademaker

(74) *Attorney, Agent, or Firm* — Mario A. Tabone

(57) **CLAIM**

The ornamental design for a container body portion, as shown and described.

DESCRIPTION

FIG. 1 is a top-front-left perspective view of a container body portion of the claimed design.

FIG. 2 is a left side elevational view thereof;

FIG. 3 is a right side elevational view thereof;

FIG. 4 is a rear elevational view thereof;

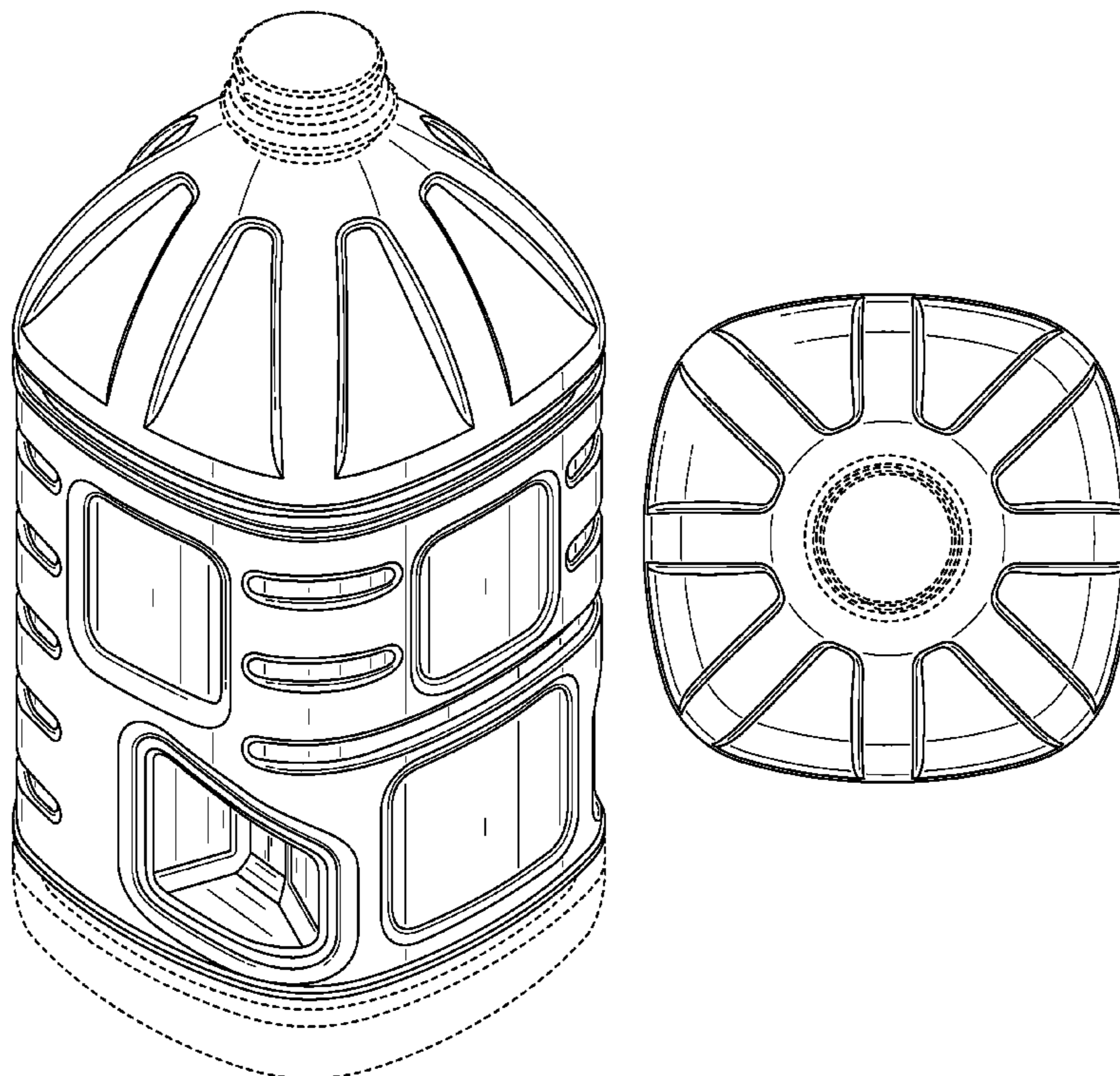
FIG. 5 is a front elevational view thereof;

FIG. 6 is a top plan view thereof; and,

FIG. 7 is a bottom plan view thereof.

The dash-dash-dash-dash broken lines shown in the drawing views are for environmental purposes only and form no part of the claimed design.

1 Claim, 6 Drawing Sheets



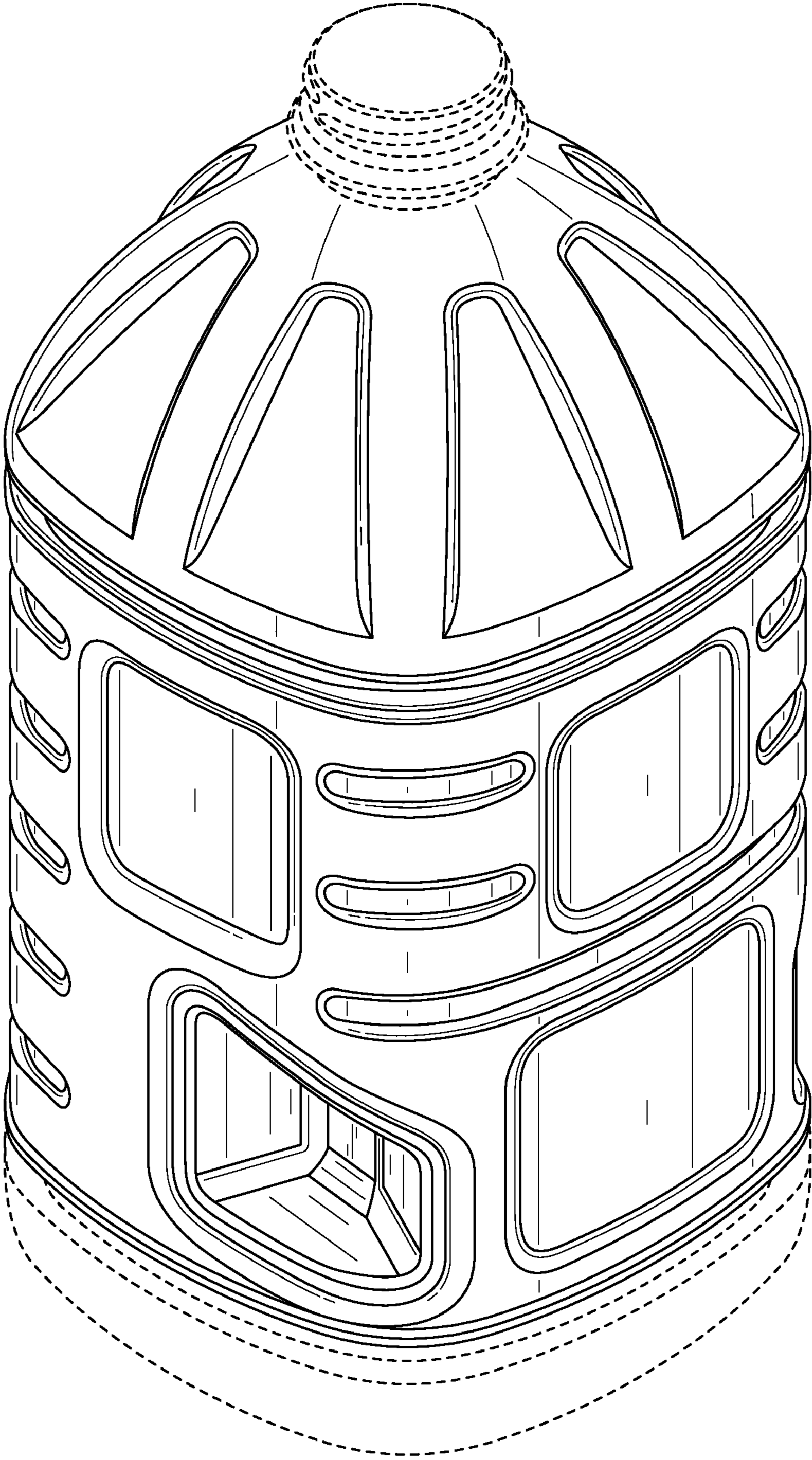


FIG. 1

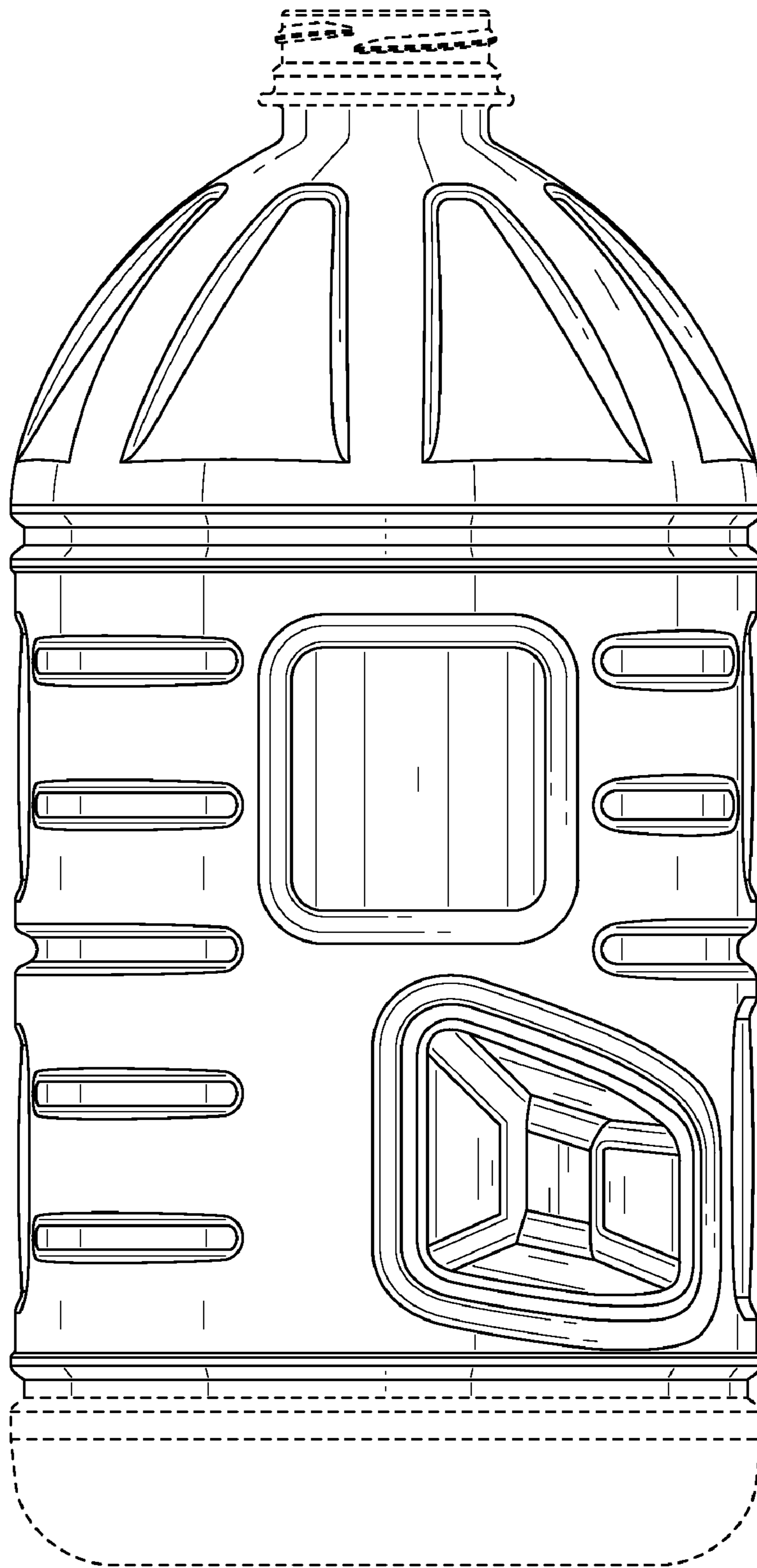


FIG. 2

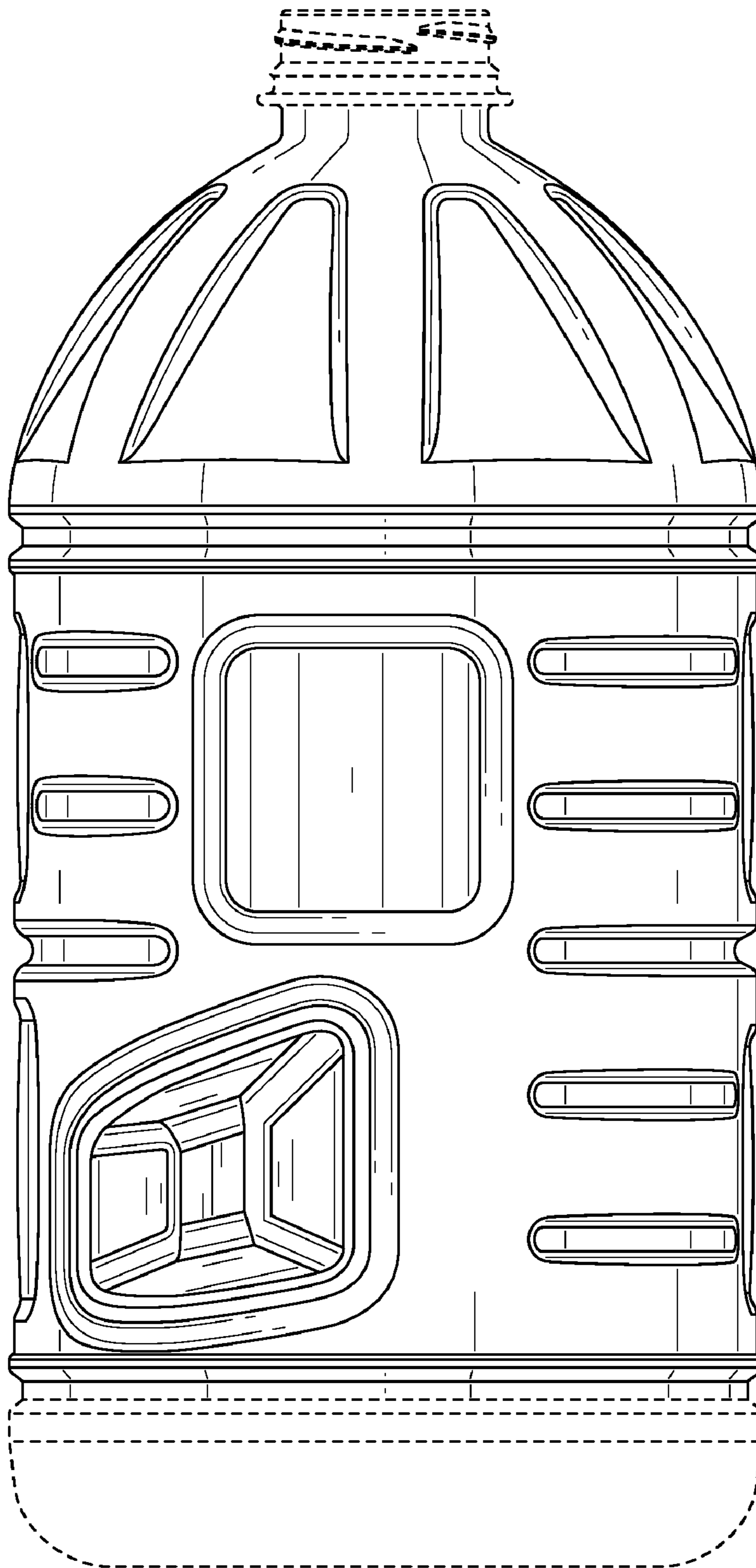


FIG. 3

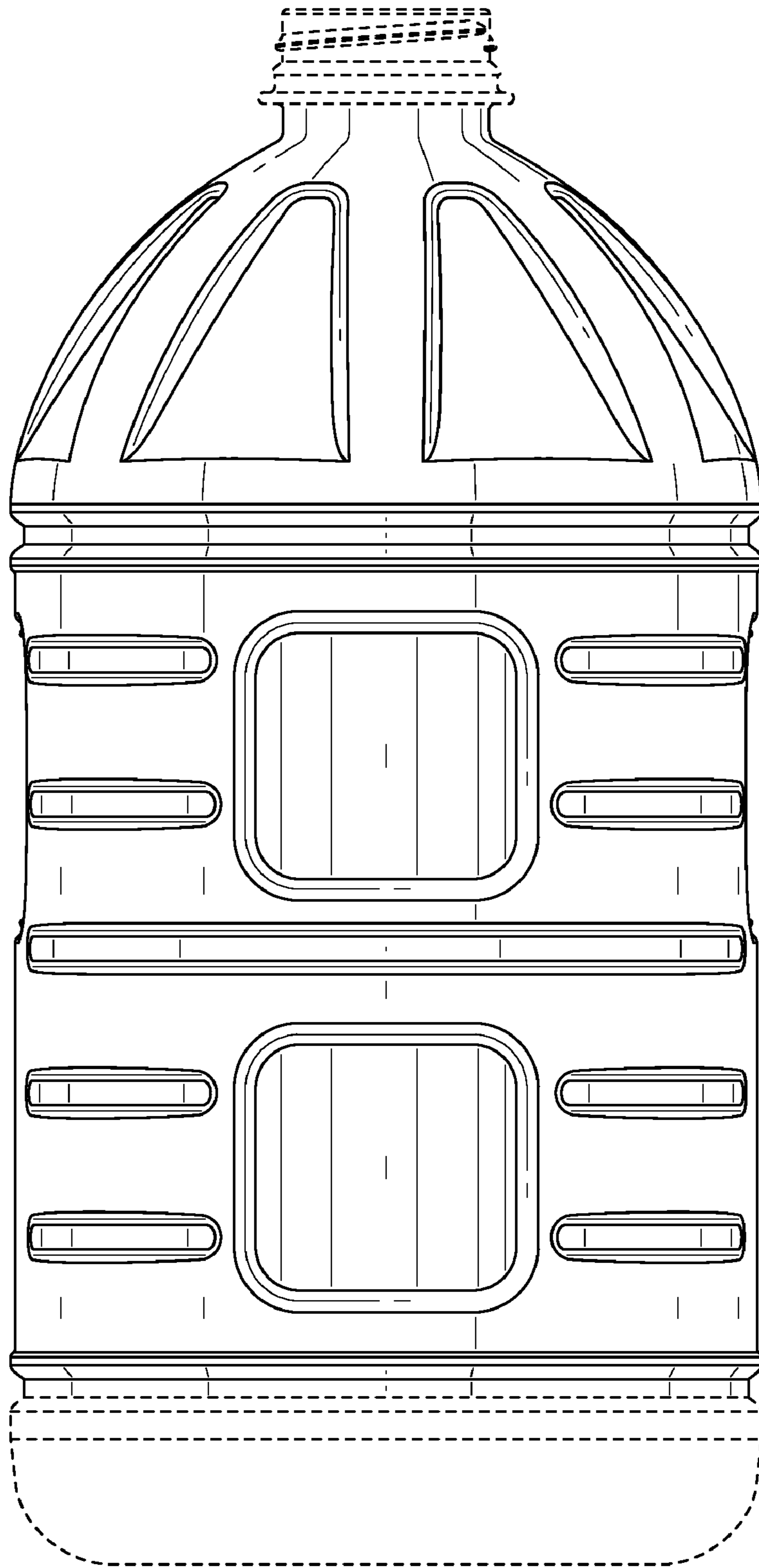


FIG. 4

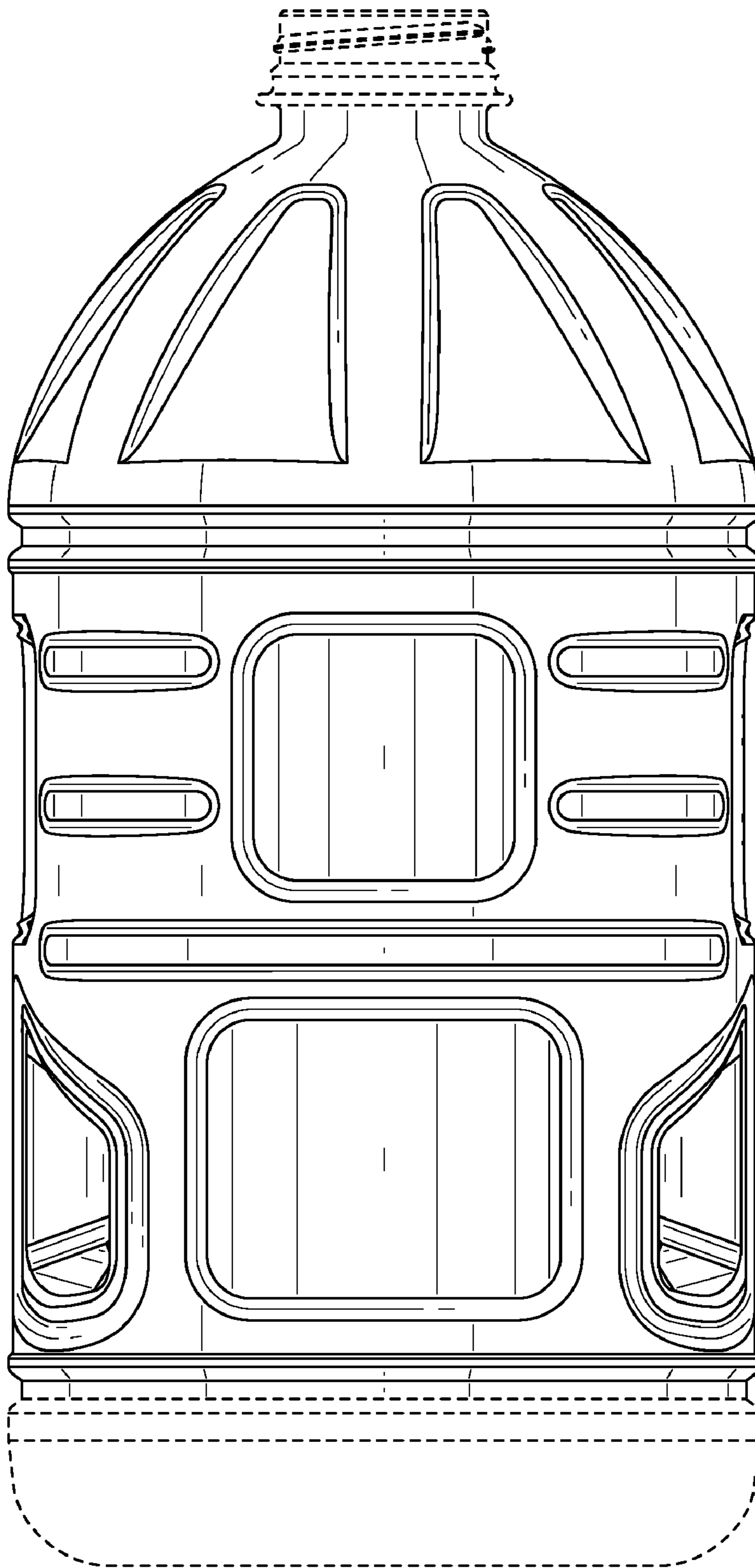


FIG. 5

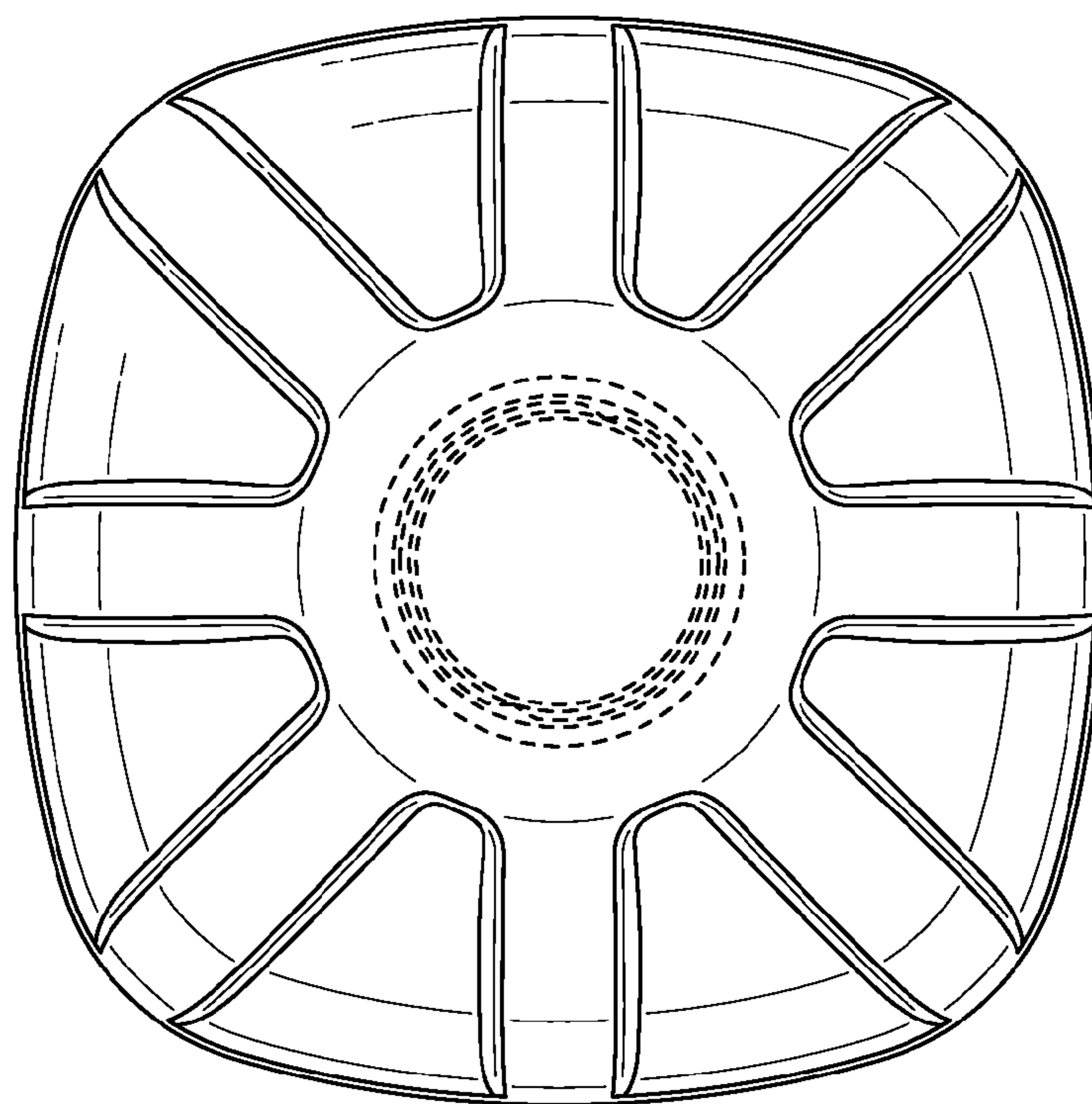


FIG. 6

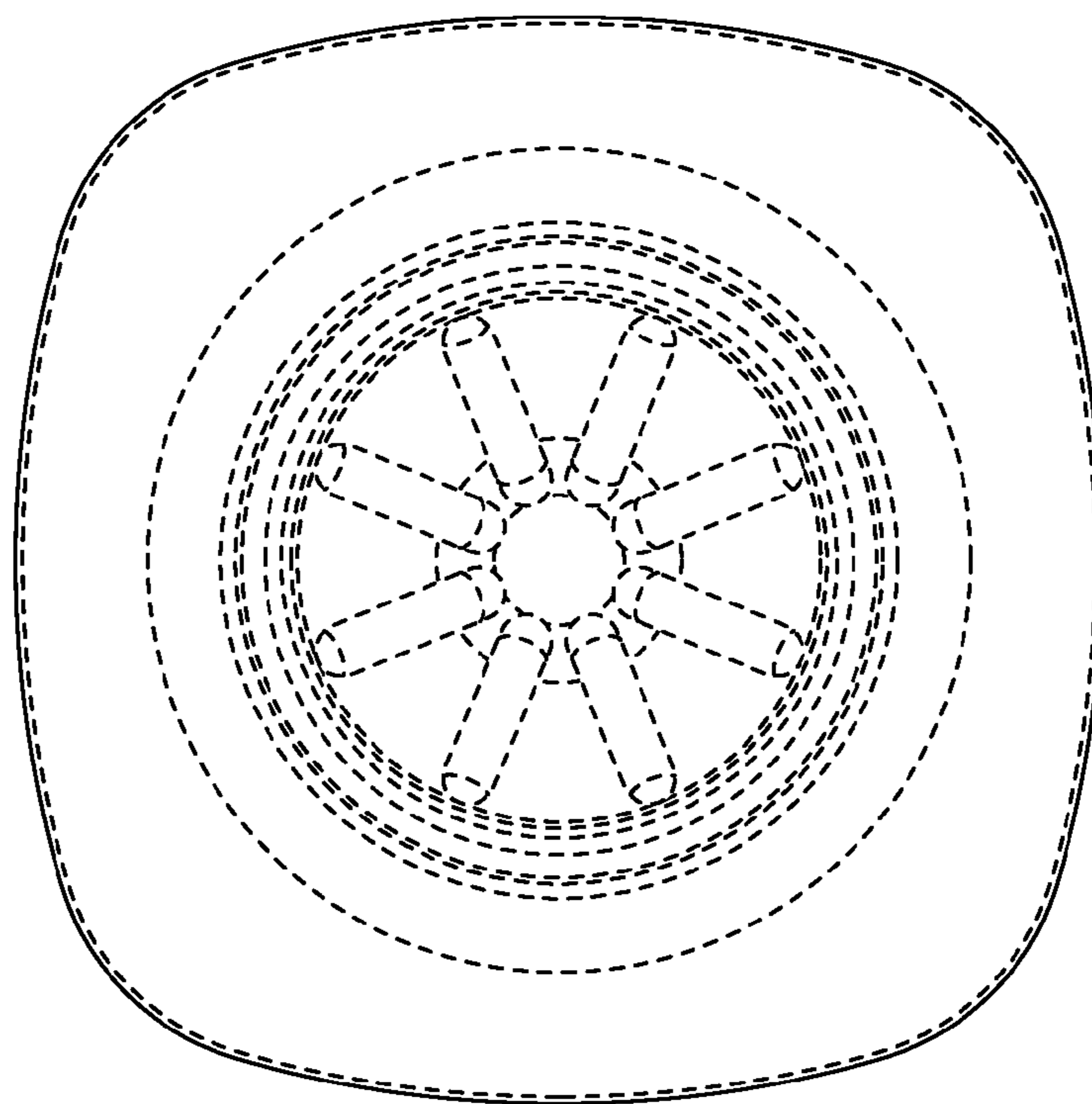


FIG. 7