

US00D637080S

(12) **United States Design Patent**
Brooks

(10) **Patent No.:** **US D637,080 S**

(45) **Date of Patent:** **** May 3, 2011**

(54) **BOTTLE CAP**

(75) Inventor: **John Brooks**, Leabrook (AU)

(73) Assignee: **Zork Pty Ltd**, Hackney, South Australia (AU)

(**) Term: **14 Years**

(21) Appl. No.: **29/356,373**

(22) Filed: **Feb. 24, 2010**

(30) **Foreign Application Priority Data**

Aug. 25, 2009 (AU) 13257/2009

(51) **LOC (9) Cl.** **09-07**

(52) **U.S. Cl.** **D9/452; D9/454**

(58) **Field of Classification Search** D9/651,
D9/453, 452, 450, 449, 446, 443, 435; 222/83;
220/277; 215/252, 216, 206, 222, 219
See application file for complete search history.

(56) **References Cited**

U.S. PATENT DOCUMENTS

D89,939 S * 5/1933 Soper D9/453
D90,649 S * 9/1933 Fleish D9/453

D93,455 S * 10/1934 Connor D9/453
D98,717 S * 2/1936 Fleish D9/452
D102,174 S * 12/1936 Wilmet D9/453
D438,800 S * 3/2001 Brant et al. D9/451
D476,232 S * 6/2003 Maus et al. D9/449
D542,654 S * 5/2007 Szczesniak D9/453

* cited by examiner

Primary Examiner — Susan Bennett Hattan

(74) *Attorney, Agent, or Firm* — Kilpatrick Townsend & Stockton LLP

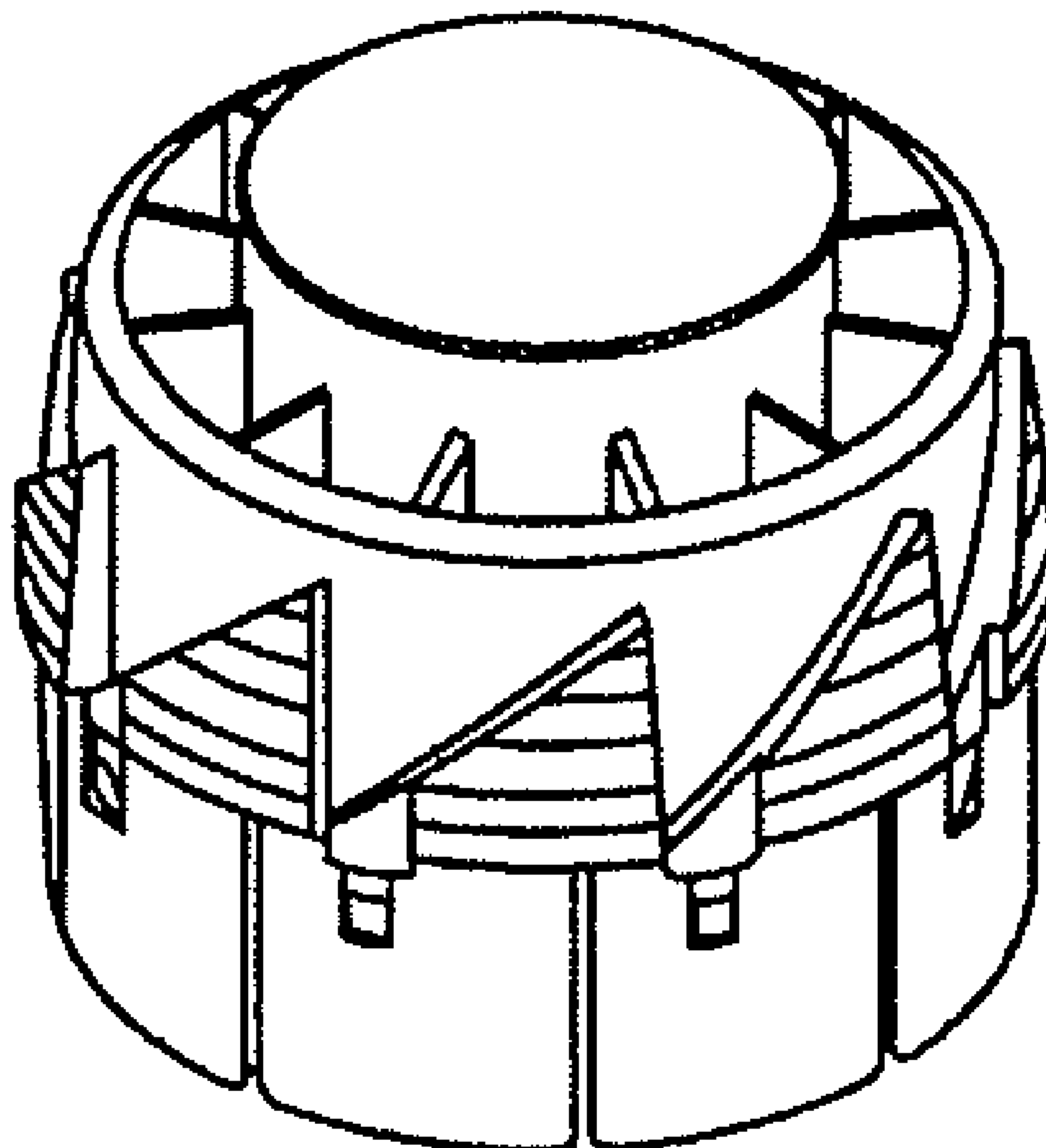
(57) **CLAIM**

The ornamental design for a bottle cap, as shown and described.

DESCRIPTION

FIG. 1 is a top perspective view of my new design for a bottle cap;
FIG. 2 is an underneath perspective view thereof;
FIG. 3 is a top plan view thereof;
FIG. 4 is a bottom end view thereof;
FIG. 5 is a left side elevational view thereof;
FIG. 6 is a front elevational view thereof;
FIG. 7 is a right side elevational view thereof; and,
FIG. 8 is a rear elevational view thereof.

1 Claim, 1 Drawing Sheet



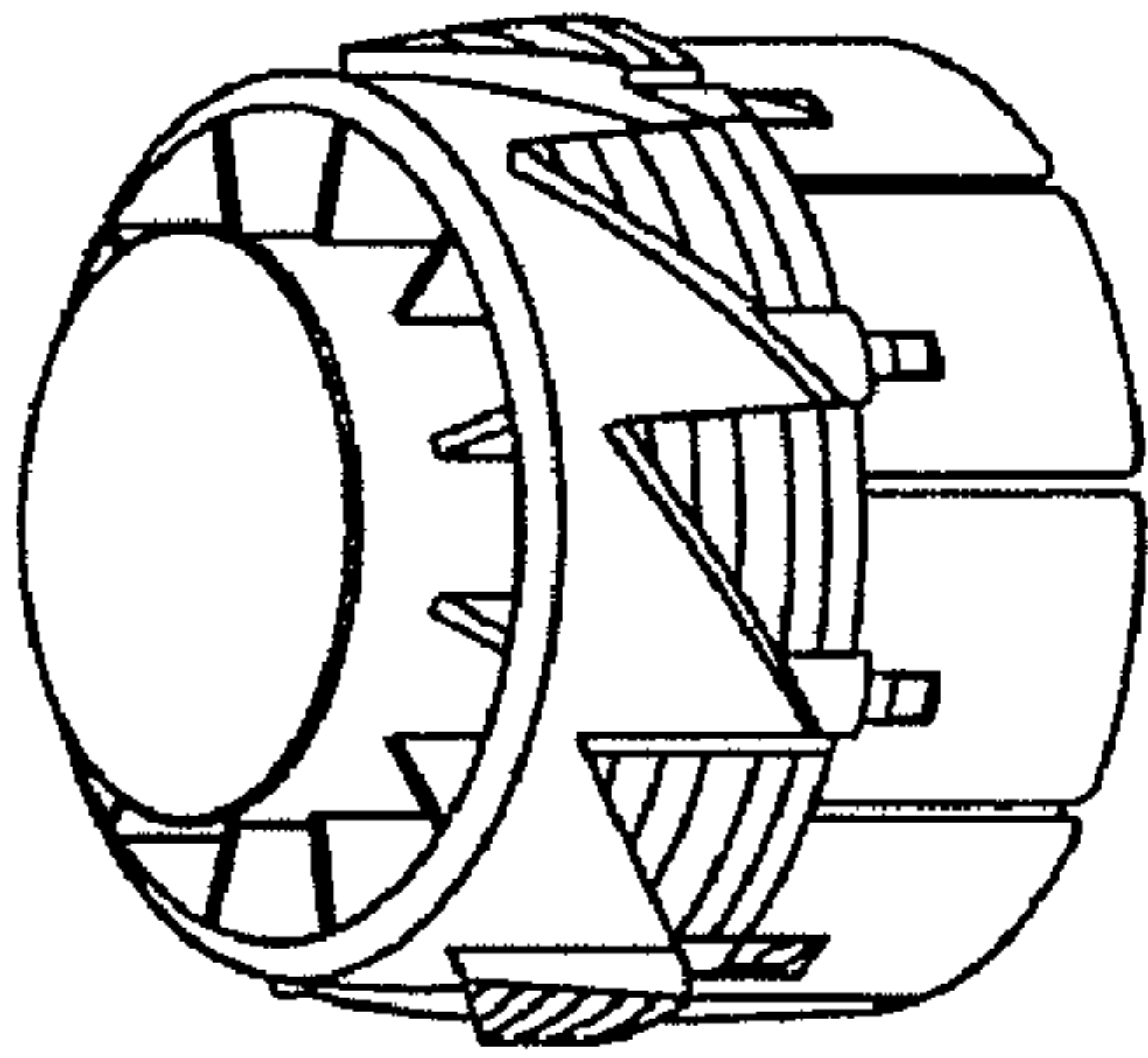


FIG. 1

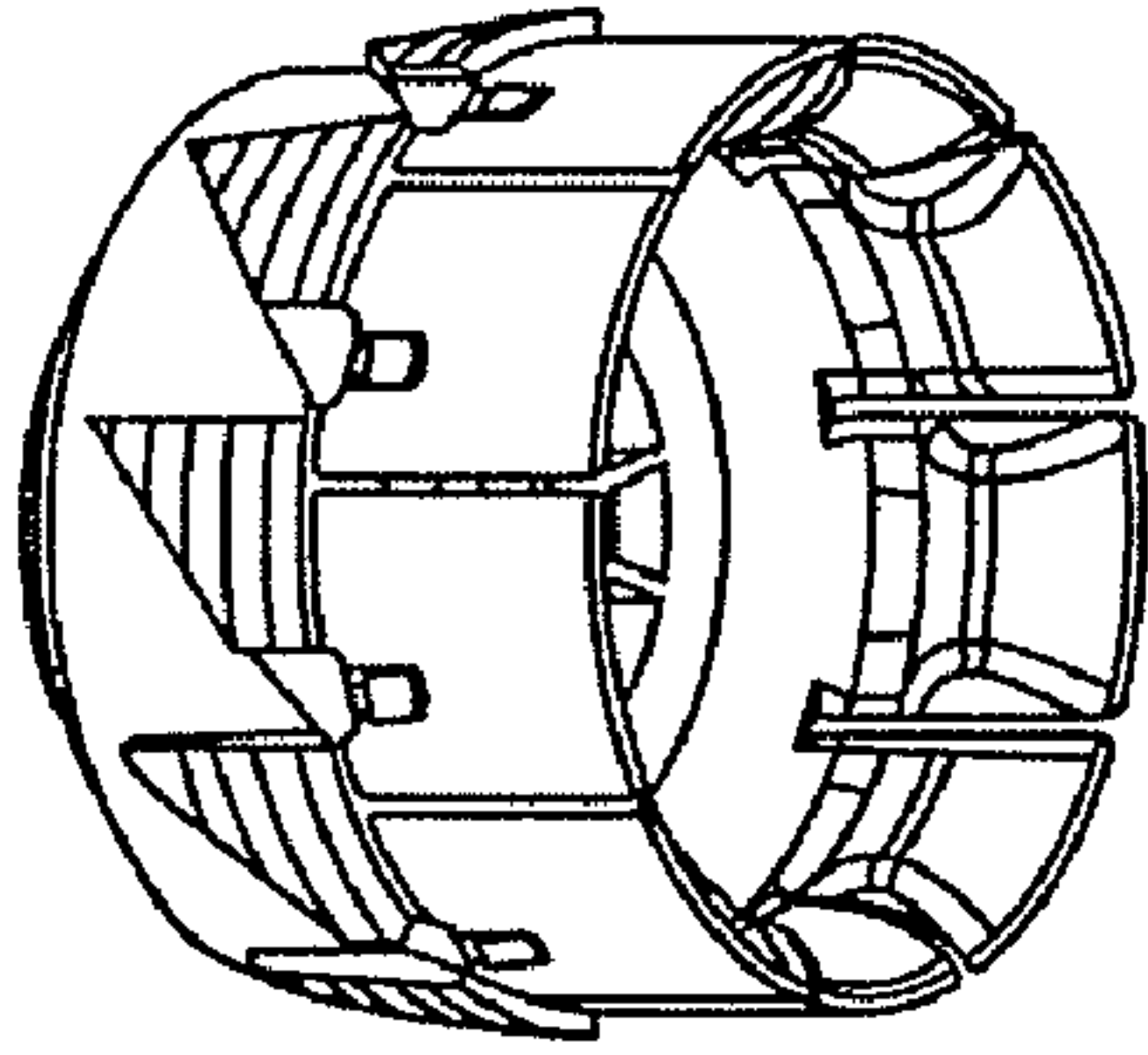


FIG. 2

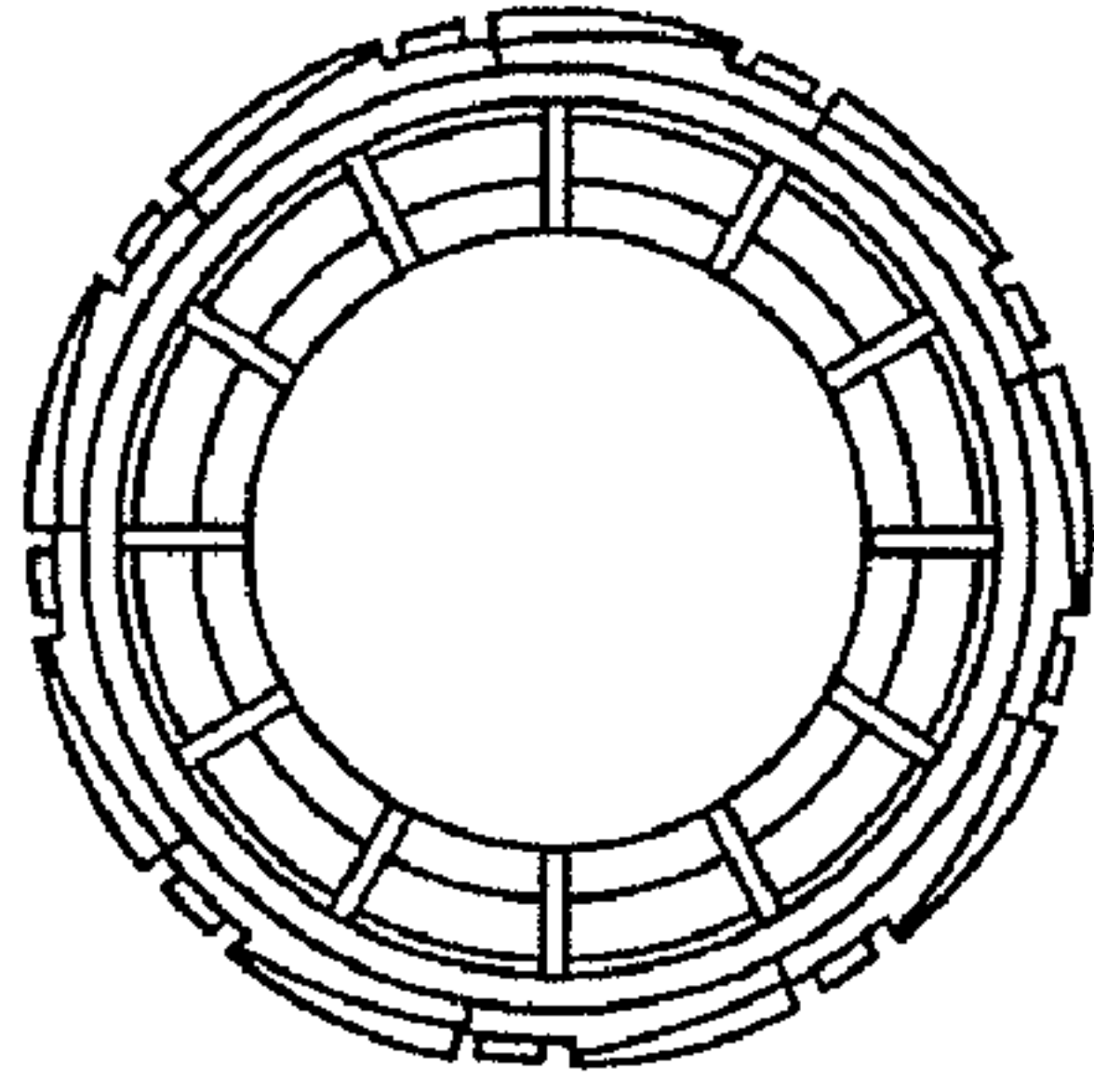


FIG. 3

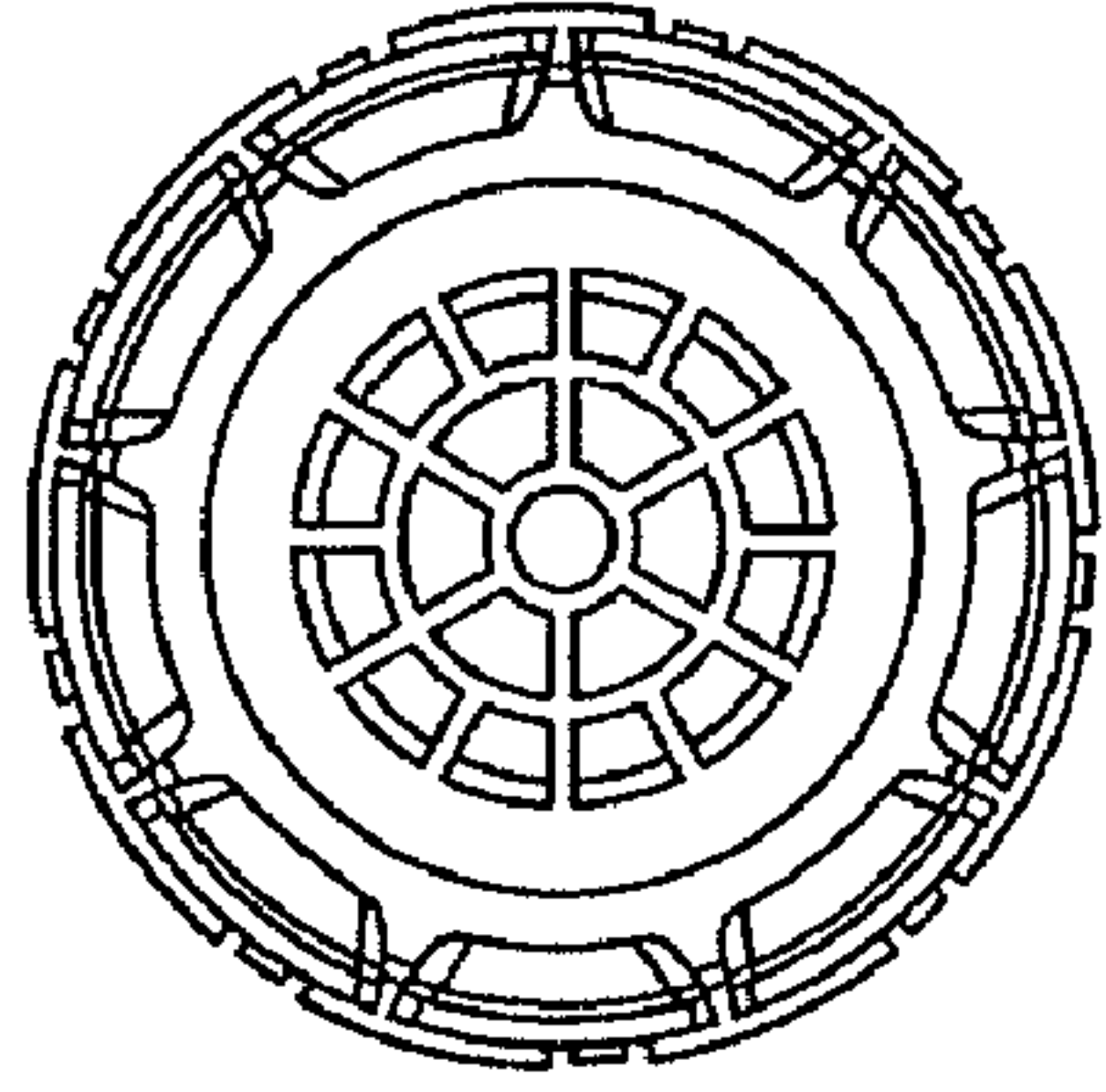


FIG. 4

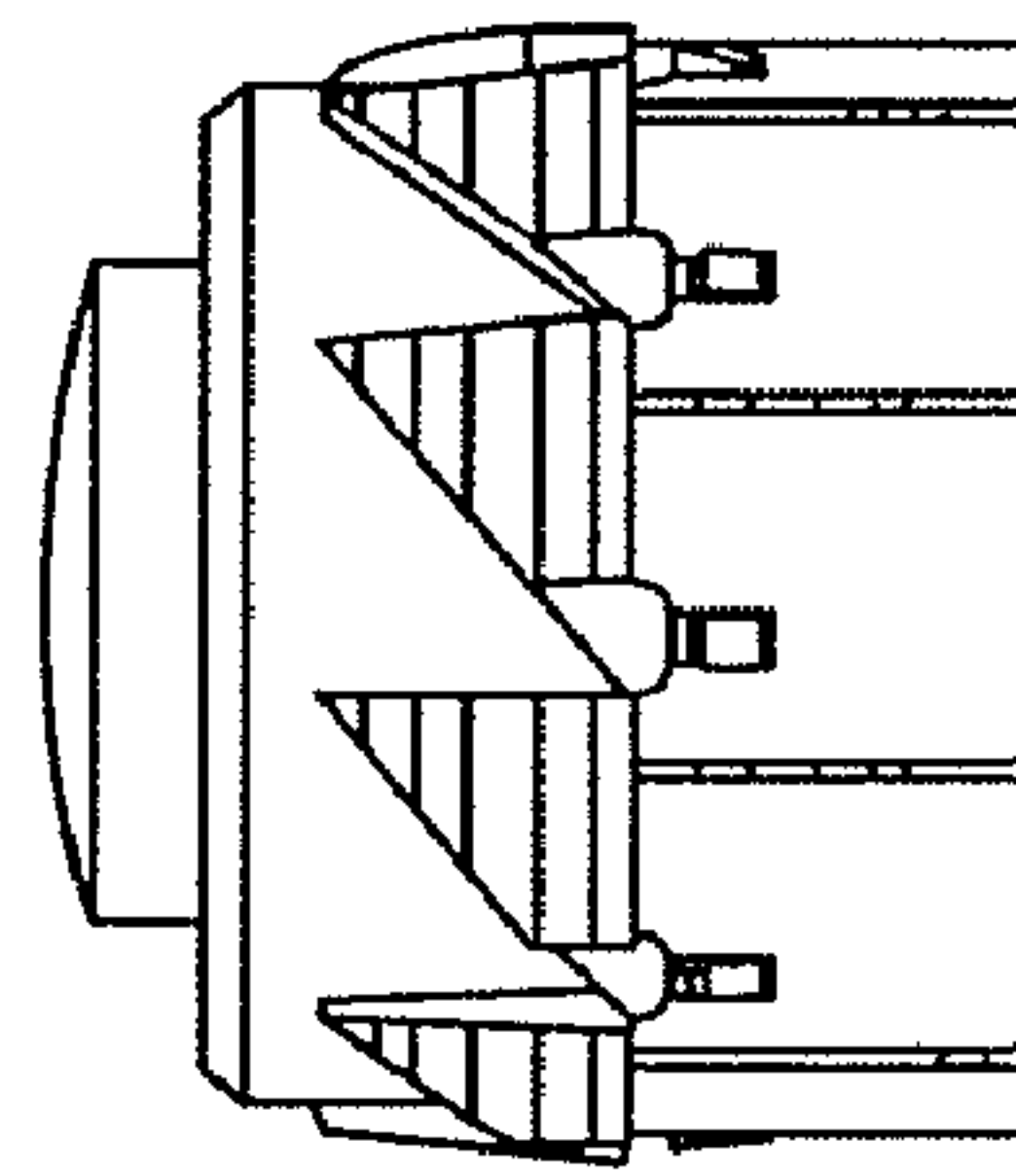


FIG. 5

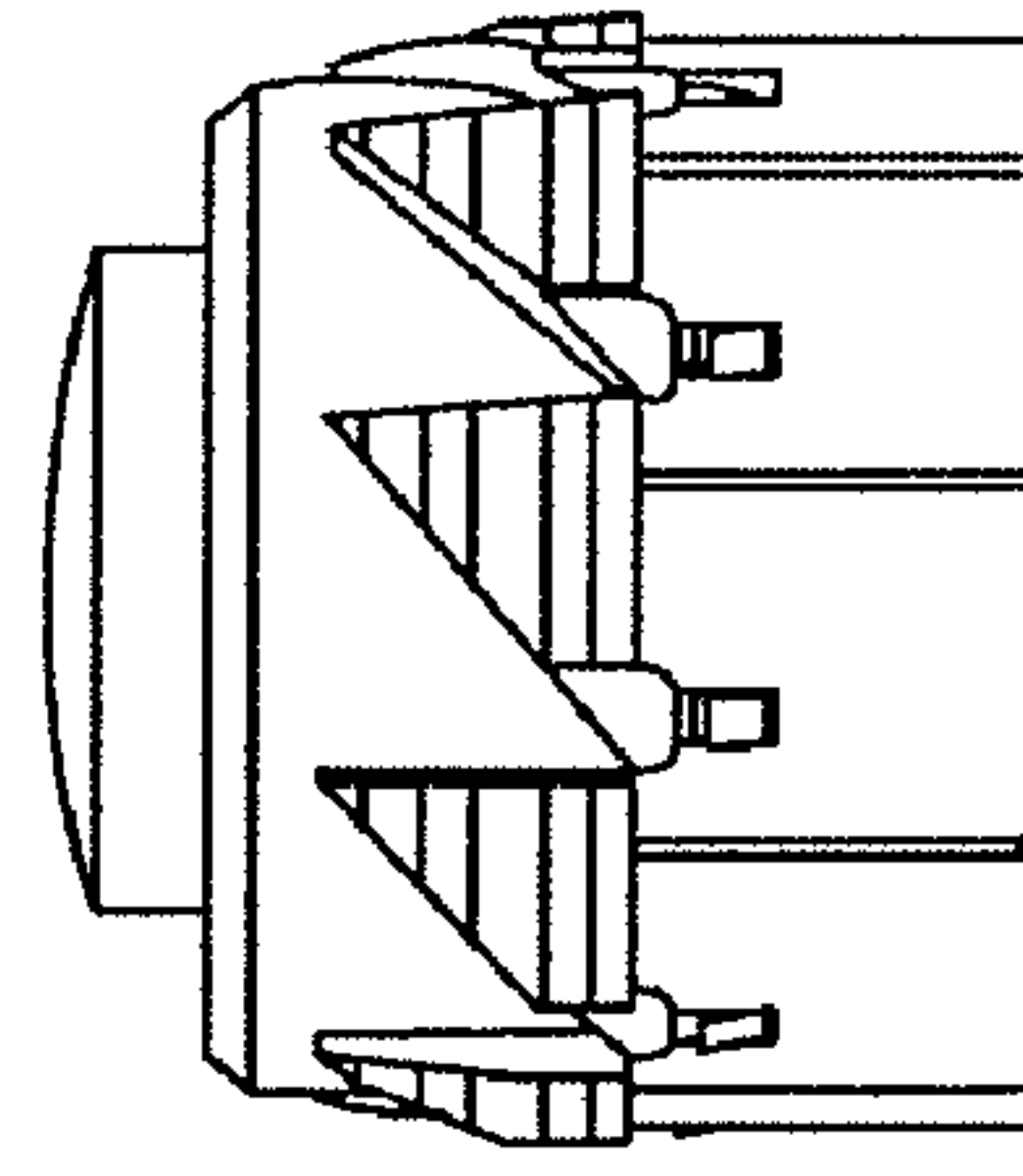


FIG. 6

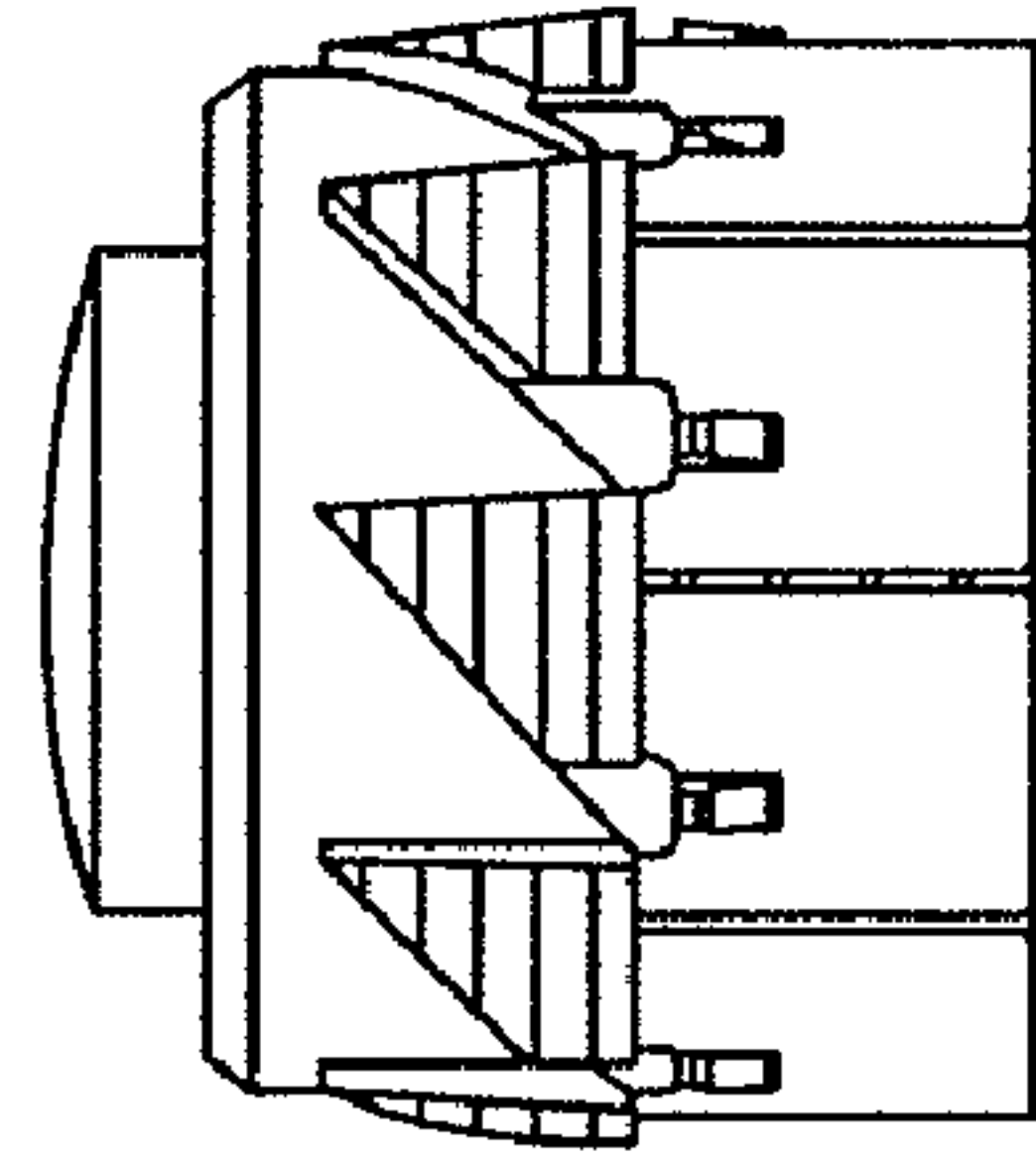


FIG. 7

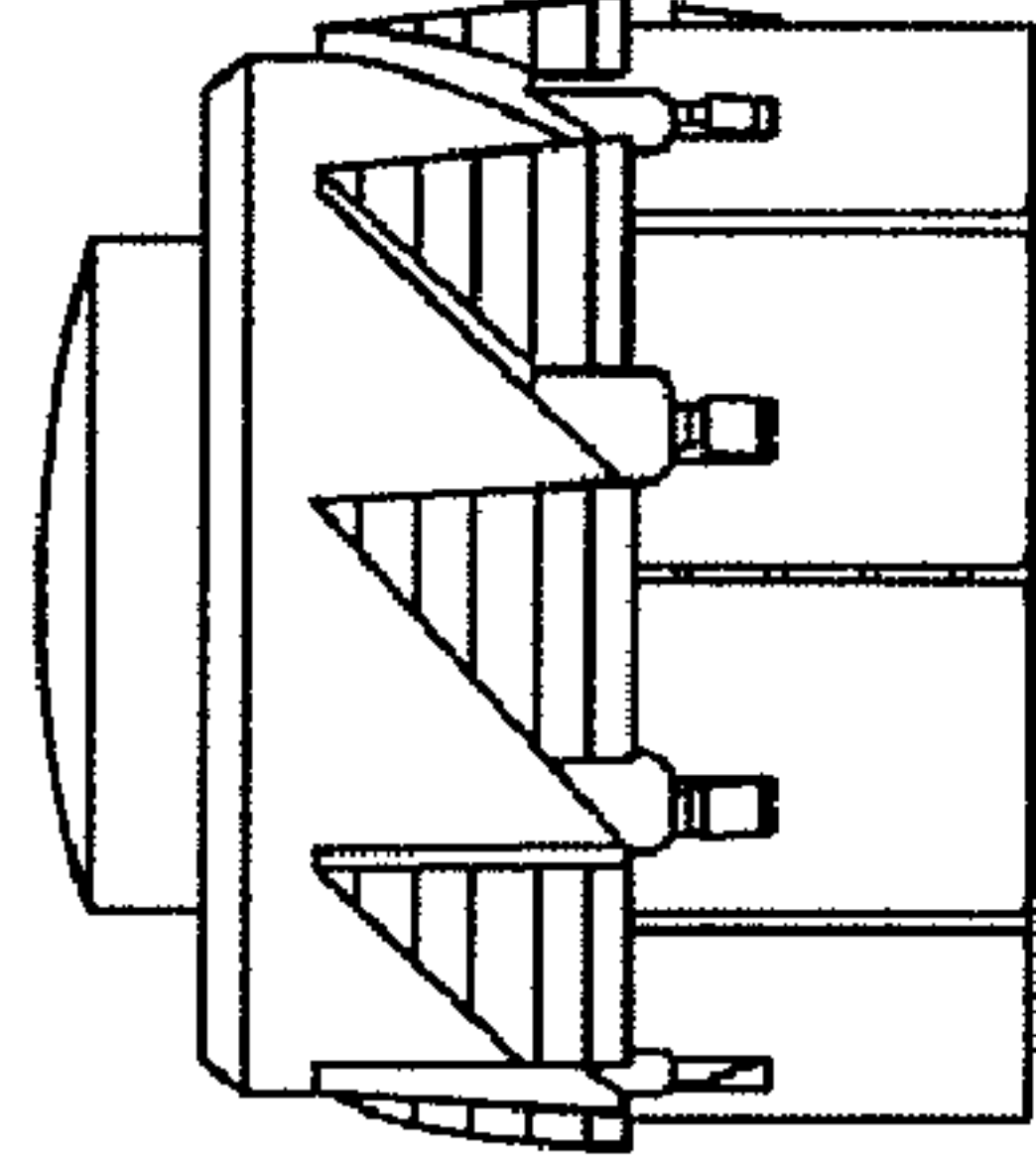


FIG. 8