

US00D637079S

(12) **United States Design Patent**  
**Brown et al.**

(10) **Patent No.:** **US D637,079 S**  
(45) **Date of Patent:** **\*\* May 3, 2011**

(54) **CONTAINER LID**  
(75) Inventors: **Alex Brown**, Cambridgeshire (GB);  
**Kate Stone**, Cambridge (GB)  
(73) Assignees: **Solo Cup Europe Limited**, Huntingdon,  
Cambridgeshire (GB); **Slurpcup**  
**Limited**, Cambridge (GB)

4,986,437 A 1/1991 Farmer  
5,538,156 A 7/1996 Proshan  
5,624,053 A 4/1997 Freek et al.  
5,996,837 A 12/1999 Freek et al.  
6,305,571 B1 10/2001 Chu  
6,419,105 B1 7/2002 Bruce et al.  
6,419,112 B1 7/2002 Bruce et al.  
D474,068 S \* 5/2003 Fujii et al. .... D7/392.1  
D490,272 S \* 5/2004 Rohe ..... D7/510

(Continued)

(\*\*) Term: **14 Years**  
(21) Appl. No.: **29/356,783**  
(22) Filed: **Mar. 2, 2010**

FOREIGN PATENT DOCUMENTS

CA 2212228 A1 2/1998  
(Continued)

(30) **Foreign Application Priority Data**  
Sep. 2, 2009 (EP) ..... 001606740  
(51) **LOC (9) Cl.** ..... **09-07**  
(52) **U.S. Cl.** ..... **D9/447; D9/454**  
(58) **Field of Classification Search** ..... D9/780,  
D9/778, 772, 763, 756, 556, 529, 518, 504,  
D9/503, 454, 450, 449, 447, 440, 438, 435,  
D9/434, 428, 425, 424; D7/584, 392.1, 549,  
D7/557, 601, 630, 396.2; 229/123.1; 222/556;  
220/906, 806, 716, 713, 711, 359.3, 359.1,  
220/285, 273, 265, 259.2-259.4, 258.2, 257.1,  
220/254.4; 215/256, 249, 232, 216; 206/530  
See application file for complete search history.

OTHER PUBLICATIONS

United Kingdom Examiner Sally Vinalli, Search Report dated Dec.  
16, 2009 for Application No. GB0915050.9, 2 pages.

(Continued)

*Primary Examiner* — Susan Bennett Hattan  
(74) *Attorney, Agent, or Firm* — Fish & Richardson P.C.

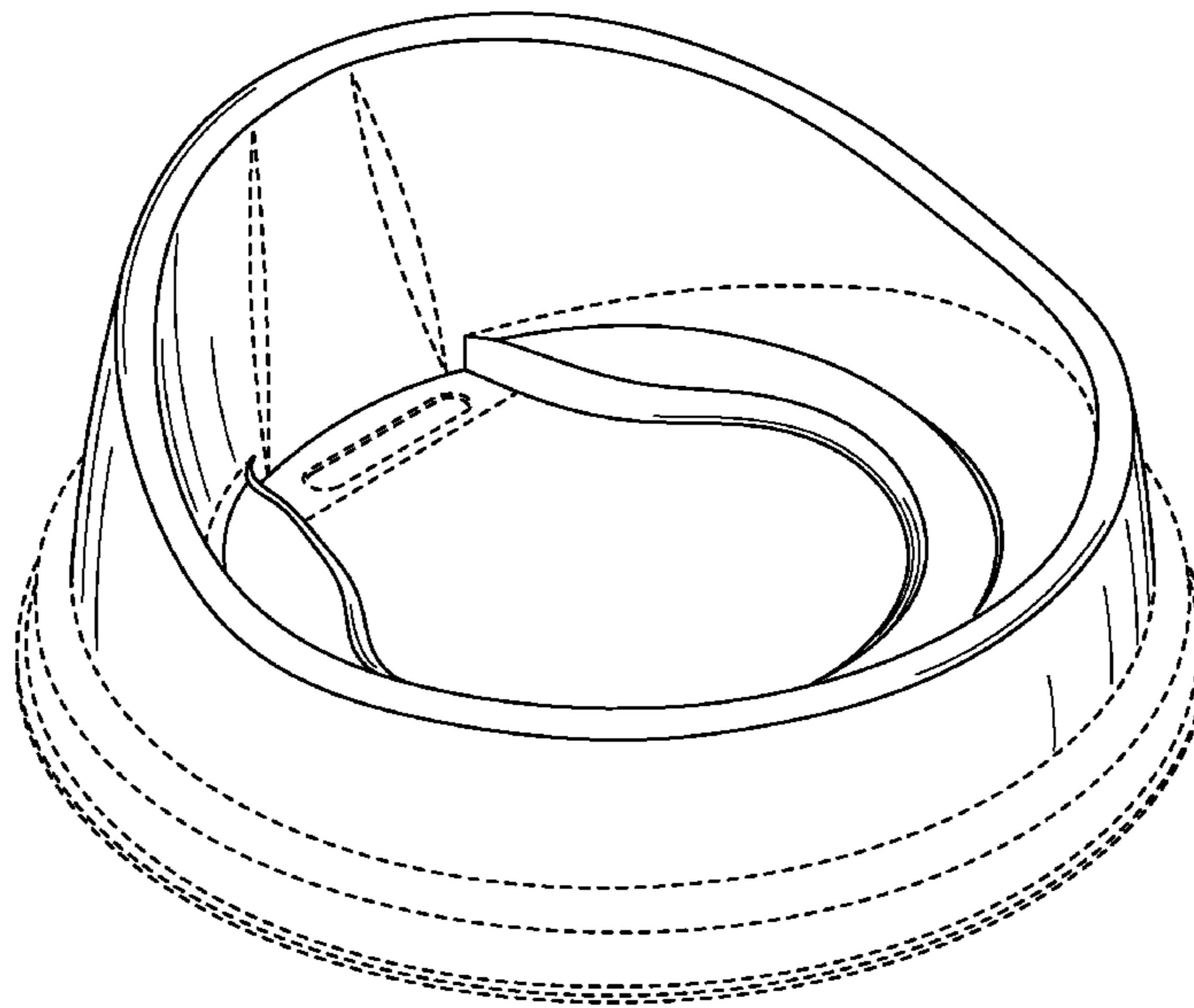
(57) **CLAIM**  
The ornamental design for a container lid, substantially as  
shown and described.

**DESCRIPTION**

FIG. 1 is a perspective view of the container lid.  
FIG. 2 is a back view of the container lid of FIG. 1.  
FIG. 3 is a front view of the container lid of FIG. 1.  
FIG. 4 is a side view of the container lid of FIG. 1.  
FIG. 5 is an opposite side view of the container lid of FIG. 1.  
FIG. 6 is a top view of the container lid of FIG. 1; and,  
FIG. 7 is a bottom view of the container lid of FIG. 1.  
The broken lines in the drawings depict environmental sub-  
ject matter only and form no part of the claimed design.

(56) **References Cited**  
U.S. PATENT DOCUMENTS  
2,456,989 A 12/1948 Polcyn  
3,868,043 A 2/1975 Freemyer  
3,895,743 A 7/1975 Christian  
4,245,752 A 1/1981 Prueher  
4,582,214 A 4/1986 Dart et al.  
4,589,569 A 5/1986 Clements  
4,627,537 A 12/1986 Rogers  
D299,010 S \* 12/1988 Wall ..... D9/454

**1 Claim, 5 Drawing Sheets**



# US D637,079 S

Page 2

## U.S. PATENT DOCUMENTS

6,905,044 B1 6/2005 Russo et al.  
6,991,128 B1 1/2006 Russo et al.  
D547,605 S \* 7/2007 Edelstein et al. .... D7/392.1  
7,591,393 B2 9/2009 Crudgington  
2005/0173443 A1 8/2005 Crudgington  
2007/0199945 A1 8/2007 Ho  
2007/0199961 A1 8/2007 Ho  
2008/0000920 A1 1/2008 Ho  
2008/0061069 A1 \* 3/2008 Edelstein et al. .... 220/713  
2009/0050641 A1 2/2009 Ivey

## FOREIGN PATENT DOCUMENTS

CA 2635219 A1 7/2008  
EP 773731 A1 5/1997  
GB 2307633 A8 6/2004

JP 3032580 A 2/1991  
KR 2003020154 A 3/2003  
WO WO2002087397 A1 11/2002  
WO WO2009008587 A1 1/2009  
WO WO2009036426 A2 3/2009

## OTHER PUBLICATIONS

United Kingdom Examiner Sally Vinalli, Search Report dated Dec. 16, 2009 for Application No. GB0915052.5, 2 pages.

United Kingdom Examiner Sally Vinalli, Search Report dated Dec. 16, 2009 for Application No. GB0915053.3, 2 pages.

United Kingdom Examiner Sally Vinalli, Search Report Search Report dated Jul. 8, 2010 for Application No. GB10915052.5, 2 pages.

\* cited by examiner

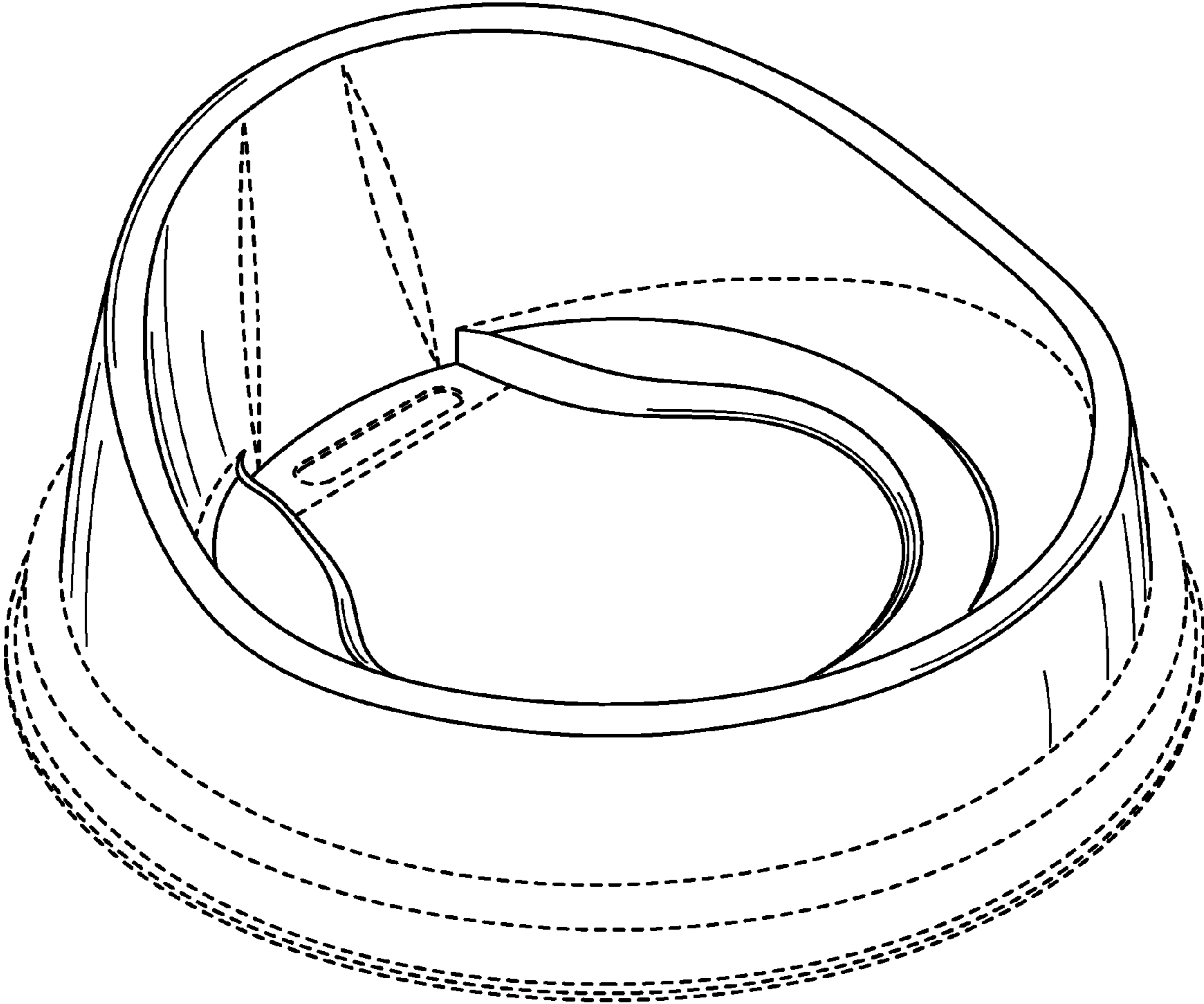


FIG. 1

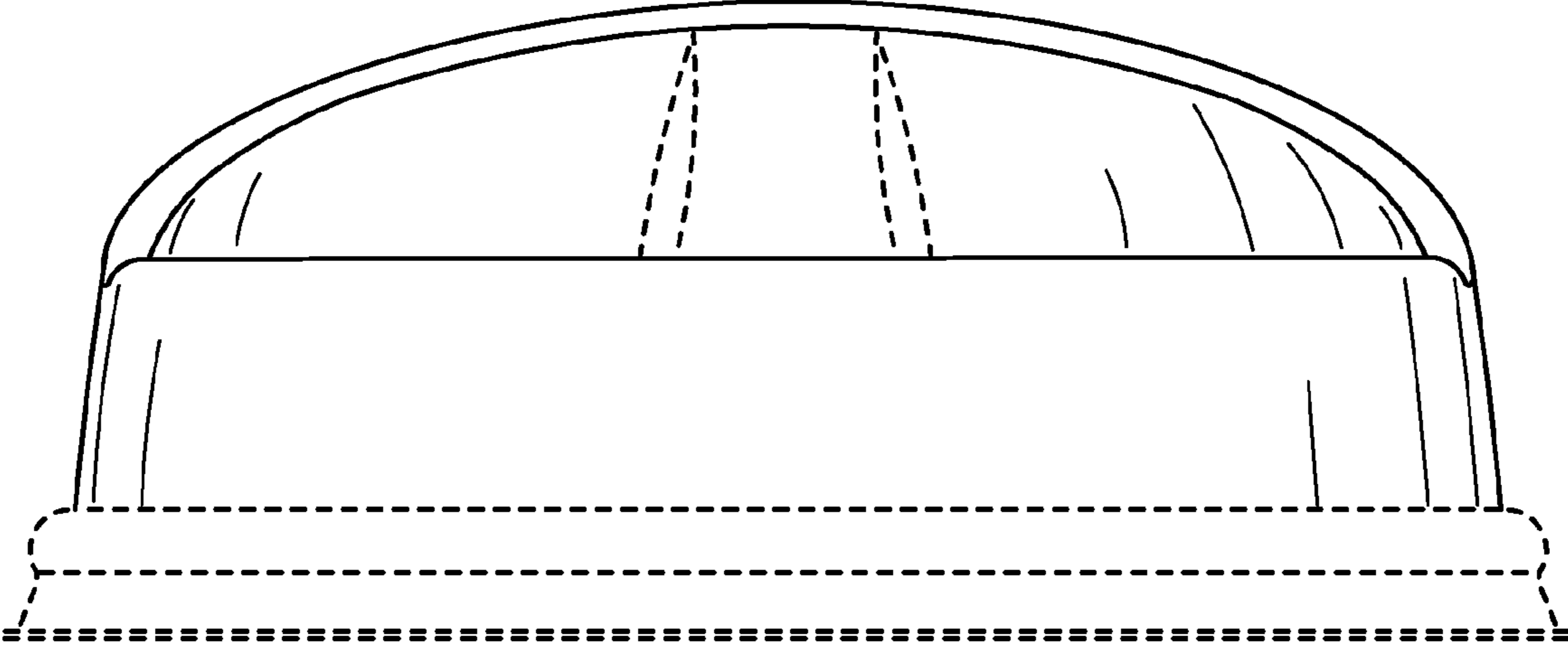


FIG. 2

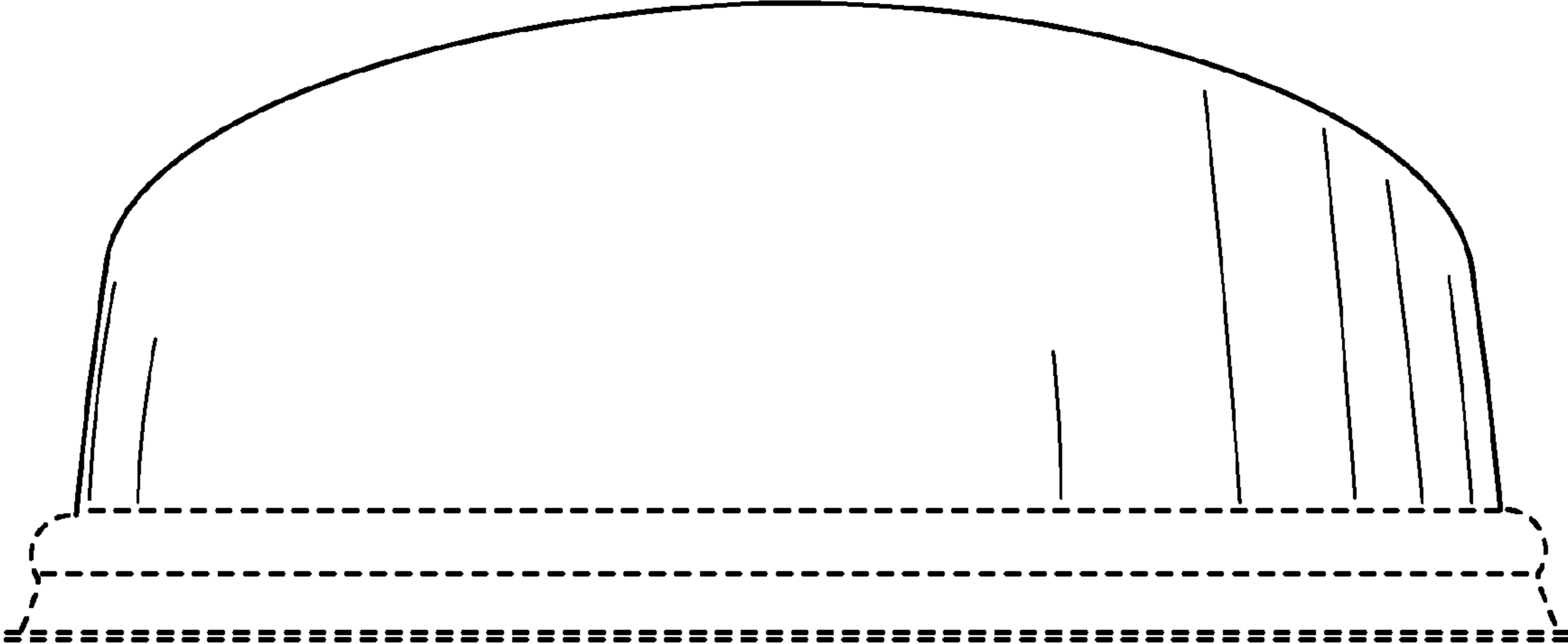


FIG. 3

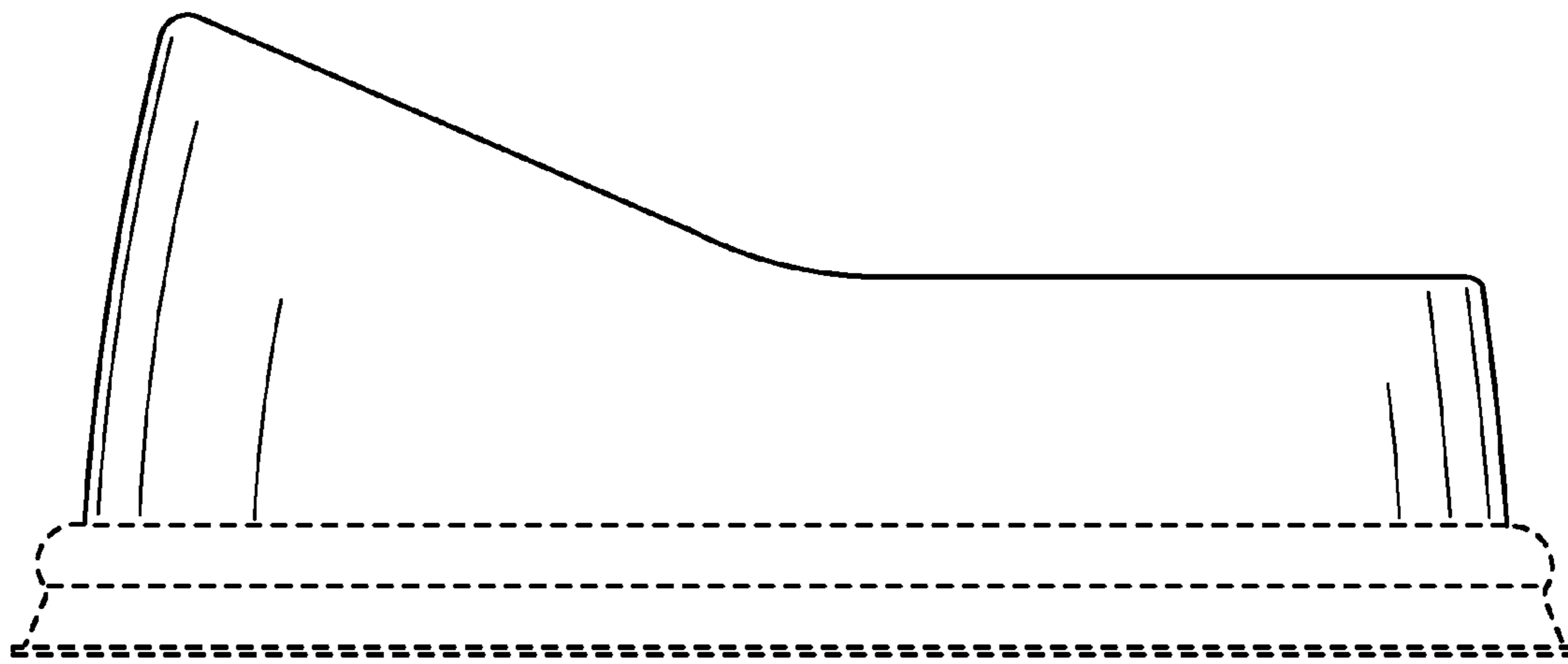


FIG. 4

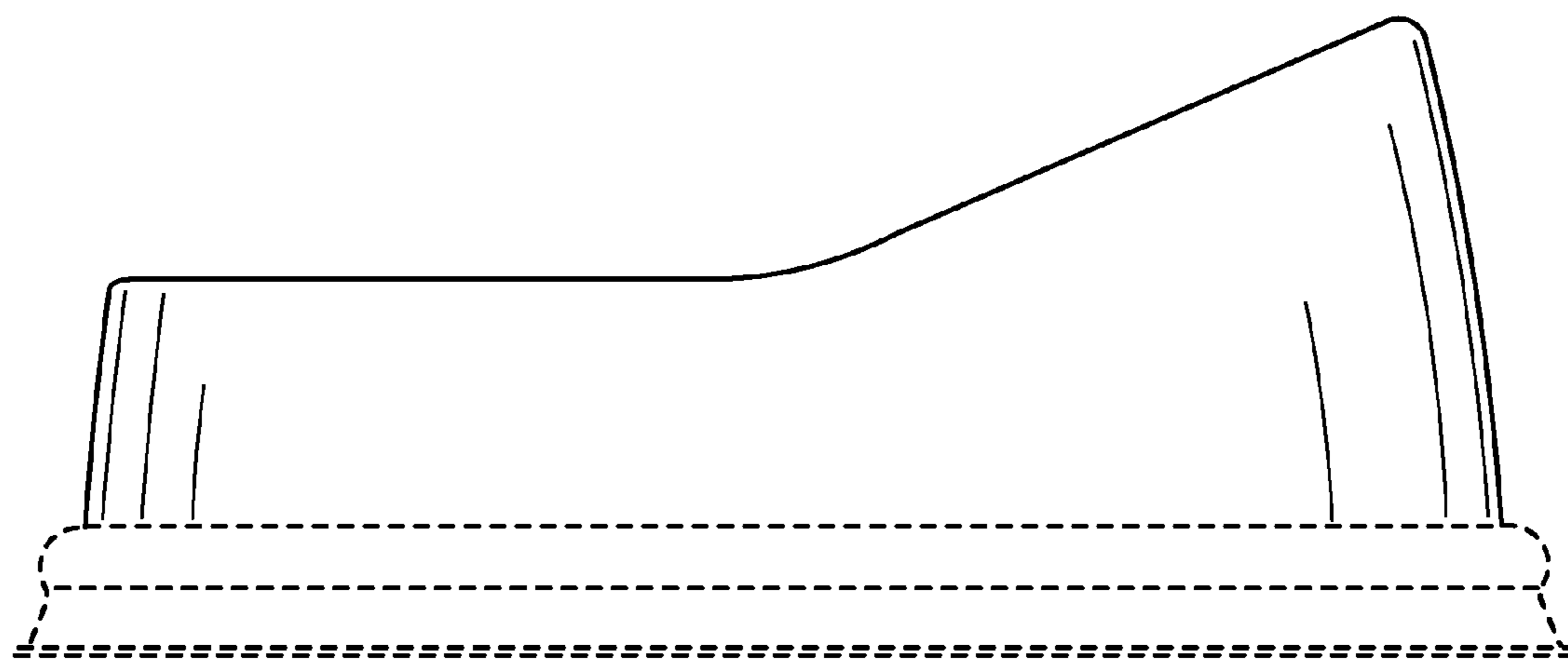


FIG. 5

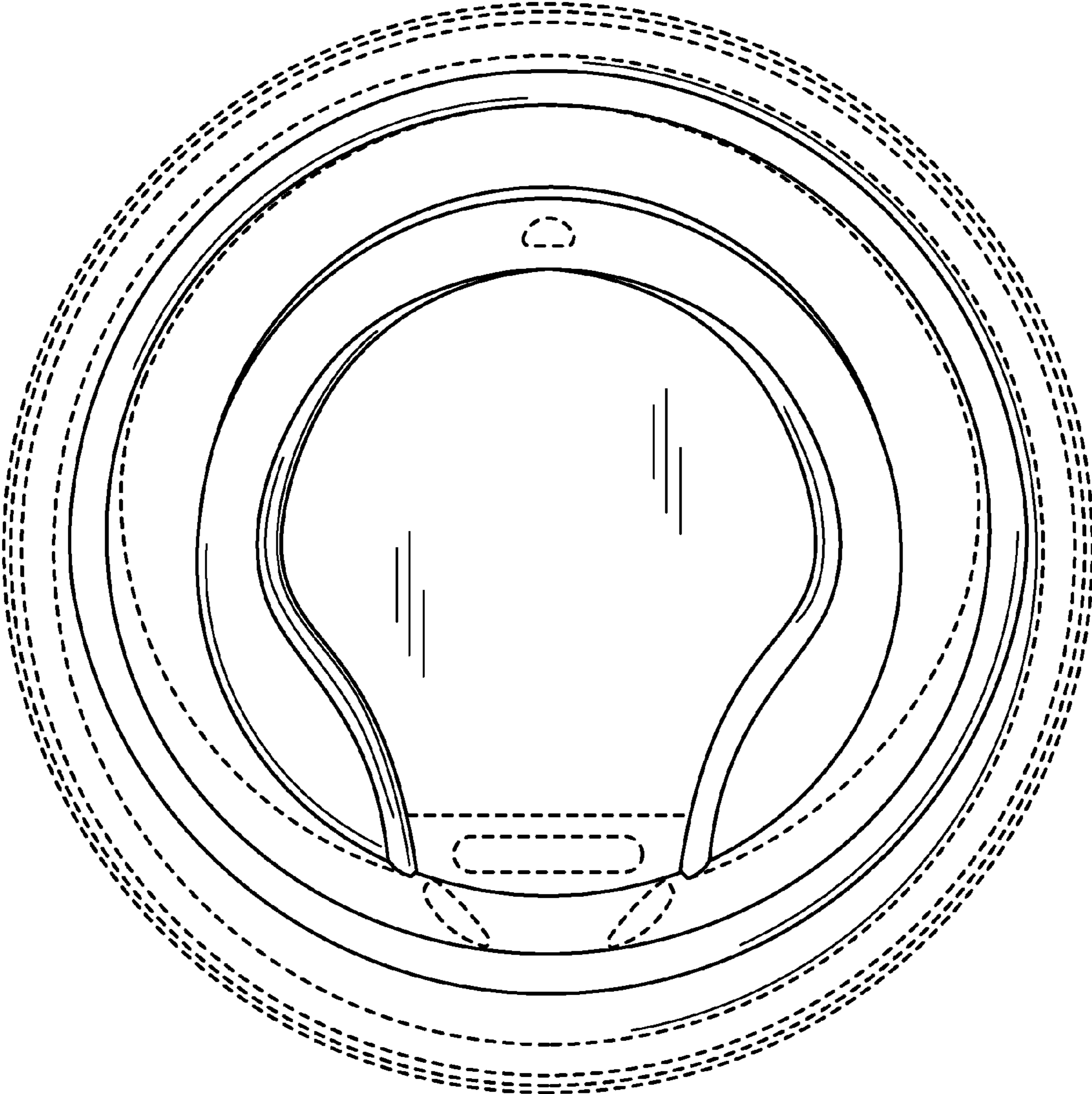


FIG. 6

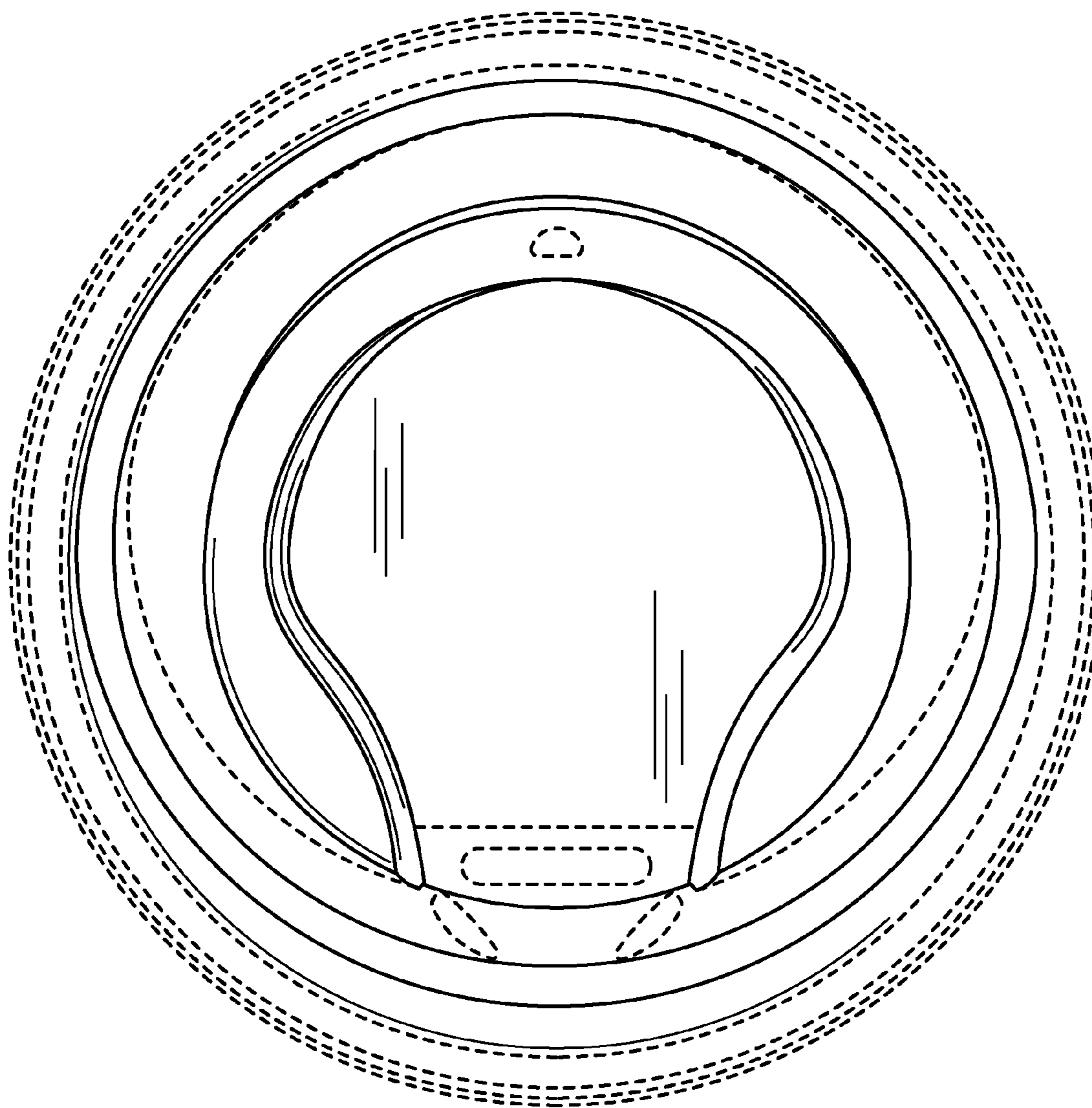


FIG. 7