



US00D637077S

(12) **United States Design Patent**  
**Gonzalez et al.**

(10) **Patent No.:** **US D637,077 S**

(45) **Date of Patent:** **\*\* May 3, 2011**

(54) **PACKAGE**

(75) Inventors: **Gabriela V. Gonzalez**, Independence, KY (US); **John Carter McFarland**, Cincinnati, OH (US); **Dale Richard Doyle**, Mack, OH (US); **Ryan Lewis Green**, Mt. Washington, OH (US)

(73) Assignee: **The Procter & Gamble Company**, Cincinnati, OH (US)

(\*\*) Term: **14 Years**

(21) Appl. No.: **29/341,533**

(22) Filed: **Aug. 7, 2009**

(51) **LOC (9) Cl.** ..... **09-03**

(52) **U.S. Cl.** ..... **D9/432**

(58) **Field of Classification Search** ..... D9/430-433, D9/414, 418, 420-423; D3/272; 206/278, 206/297, 299, 457, 770, 737, 822; 229/100, 229/101, 101.3, 106, 108, 108.1, 116.1, 116.3, 229/116.5, 121, 122, 201, 213, 221, 222, 229/227, 922, 939, 942, 87.08, 101.2, 193, 229/195, 197; D5/7, 11, 12, 14, 16, 19, 20, D5/25, 26, 27, 30, 57, 47, 53, 61-63  
See application file for complete search history.

(56) **References Cited**

**U.S. PATENT DOCUMENTS**

149,549	A *	4/1874	Vickery	229/87.05
D78,011	S *	3/1929	Currier et al.	D5/57
2,122,885	A *	7/1938	Lowey	229/225
D133,720	S *	9/1942	Illges	D9/432
3,161,346	A *	12/1964	Svensson	229/227
3,410,476	A *	11/1968	Buttery	229/208
3,434,849	A *	3/1969	Carbone	426/87
4,046,313	A *	9/1977	Perry	229/227
D253,674	S *	12/1979	Whitehead	D24/125
D259,472	S *	6/1981	Grodin	D9/432
5,058,748	A *	10/1991	Giblin et al.	229/225

5,161,734	A *	11/1992	Ruehl et al.	229/227
5,219,089	A *	6/1993	Kiolbasa et al.	229/185.1
5,265,799	A *	11/1993	Stone	229/225
5,297,727	A *	3/1994	Brioux	229/227
5,325,989	A *	7/1994	Karalus	229/225
5,830,296	A *	11/1998	Emenaker et al.	156/219
D409,841	S *	5/1999	Trombetta et al.	D5/63
D425,113	S *	5/2000	Kleman et al.	D19/1
D439,660	S *	3/2001	Velazquez et al.	D24/125
D474,539	S *	5/2003	Velazquez et al.	D24/125
D500,887	S *	1/2005	Guay	D28/4
D504,193	S *	4/2005	Guay	D28/4
D514,743	S *	2/2006	Guay	D28/4
D537,161	S *	2/2007	Sinkiewicz	D24/124
D546,444	S *	7/2007	Persson	D24/125

(Continued)

*Primary Examiner* — T. Chase Nelson

*Assistant Examiner* — Karen Acker

(74) *Attorney, Agent, or Firm* — Gary J. Foose

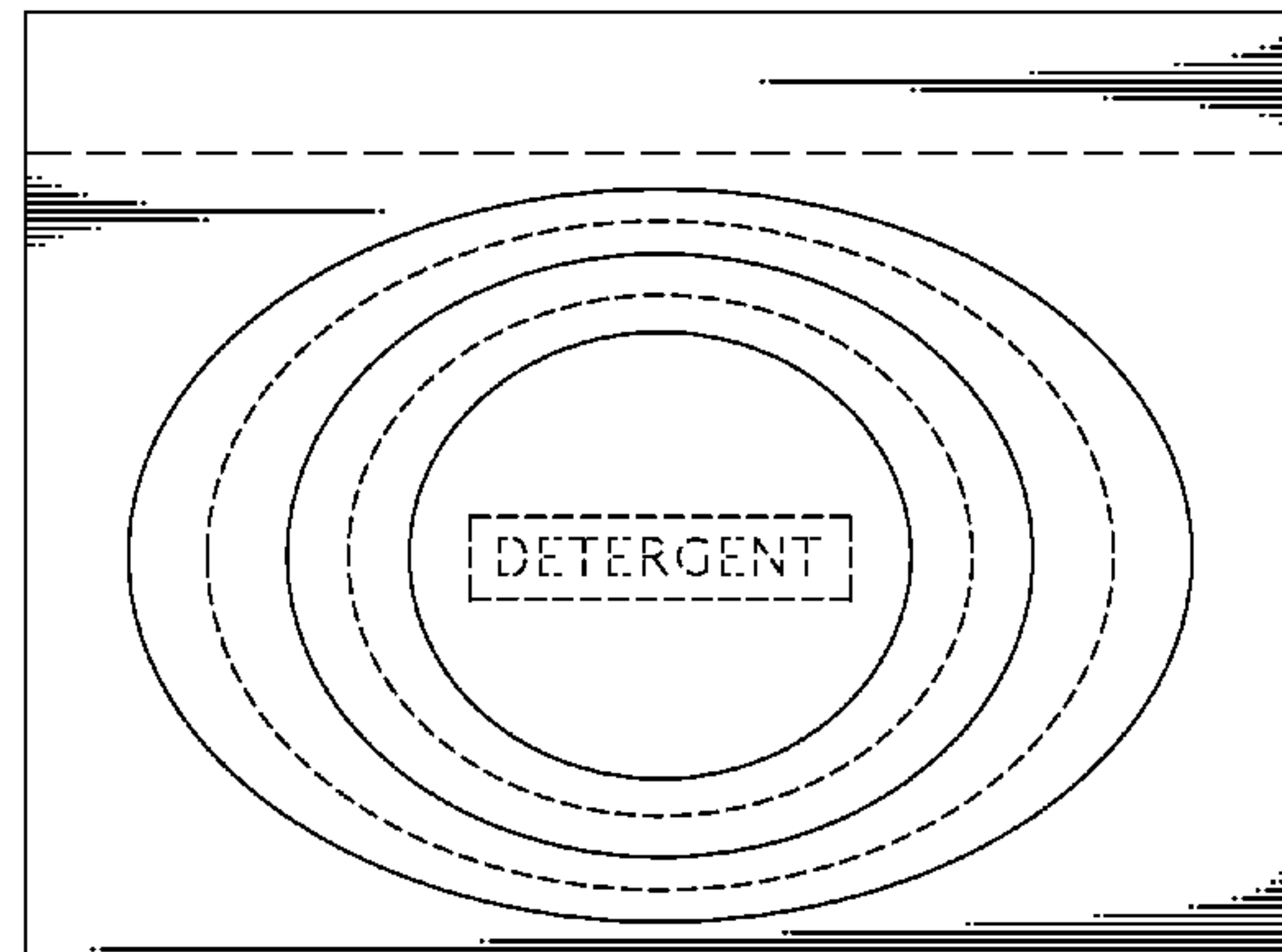
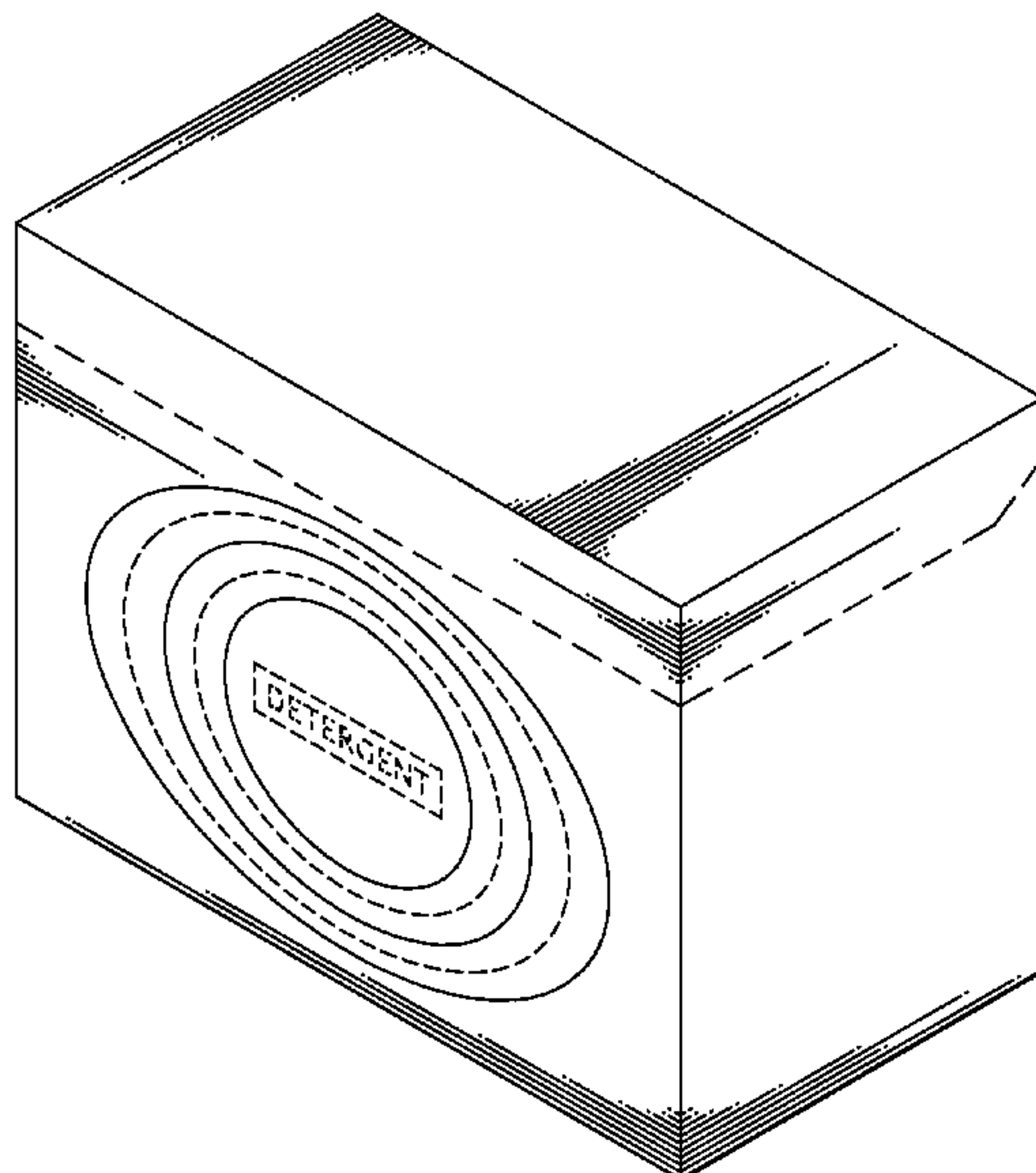
(57) **CLAIM**

The ornamental design for a package, as shown and described.

**DESCRIPTION**

FIG. 1 is a front, top and side isometric view of a package. The dashed line at the top of the package wrapping around the front and side panels of the package showing a linear series of cuts or scores represent claimed parts of the design; FIG. 2 is a frontal view of the package of FIG. 1; FIG. 3 is a rear view of the package of FIG. 1; FIG. 4 is a side view of the package of FIG. 1; FIG. 5 is a side view of the package of FIG. 1, opposite the side view shown in FIG. 4; FIG. 6 is a top planar of the package of FIG. 1; and, FIG. 7 is a bottom planar view of the package of FIG. 1. The broken lines within the front plane of the package shown in FIGS. 1 and 2 represent unclaimed environmental subject matter.

**1 Claim, 4 Drawing Sheets**



# US D637,077 S

Page 2

---

## U.S. PATENT DOCUMENTS

D553,985 S *	10/2007	Berger .....	D9/456	D612,099 S *	3/2010	Enriquez .....	D28/4
D602,772 S *	10/2009	Suzuki et al. ....	D9/434	D612,537 S *	3/2010	Enriquez .....	D28/4
D610,447 S *	2/2010	Seum et al. ....	D9/418	D612,538 S *	3/2010	Enriquez .....	D28/4
D612,097 S *	3/2010	Enriquez .....	D28/4	D612,988 S *	3/2010	Enriquez .....	D28/4
D612,098 S *	3/2010	Enriquez .....	D28/4	2005/0145683 A1 *	7/2005	Alagna et al. ....	229/102

\* cited by examiner

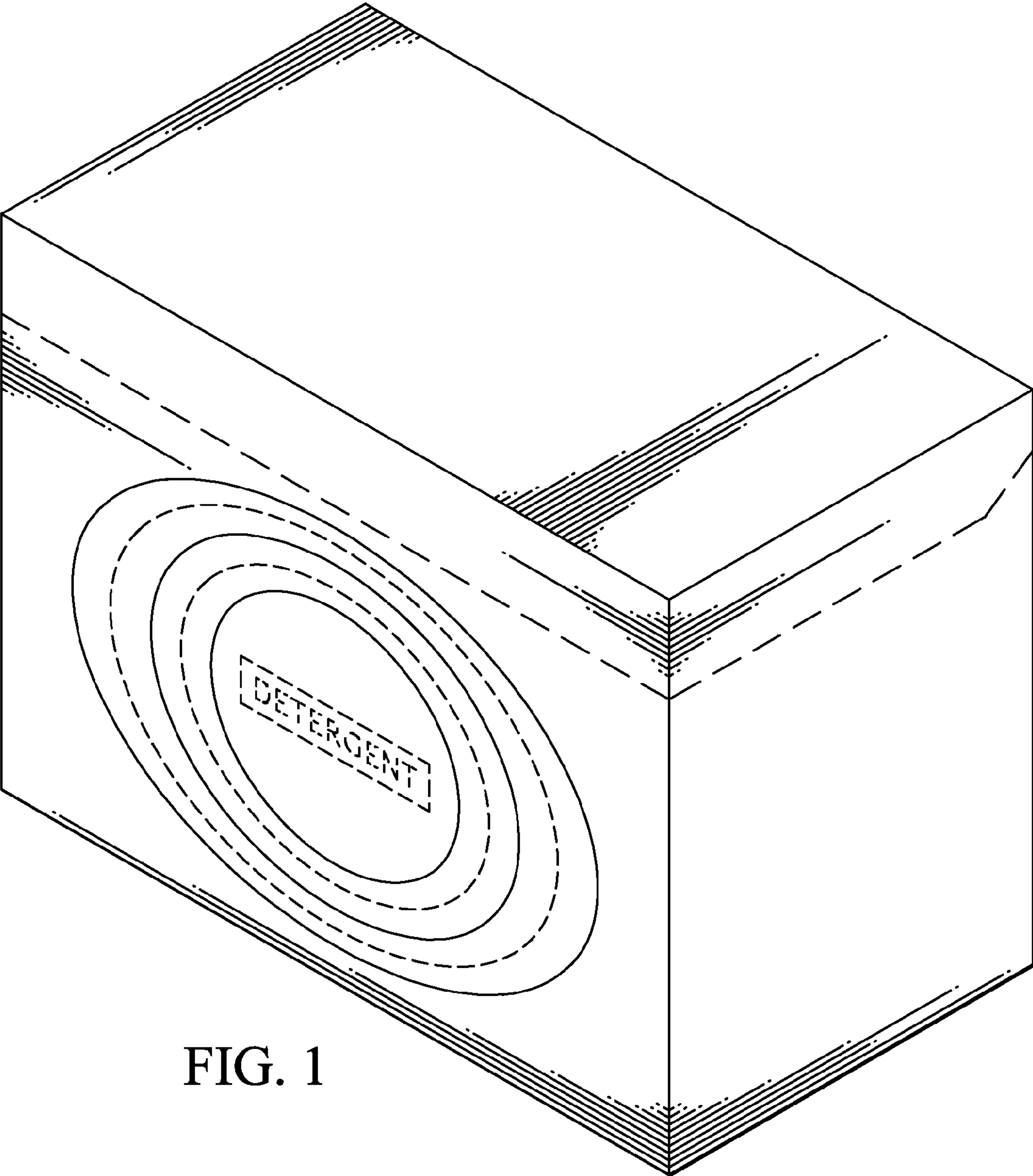


FIG. 1

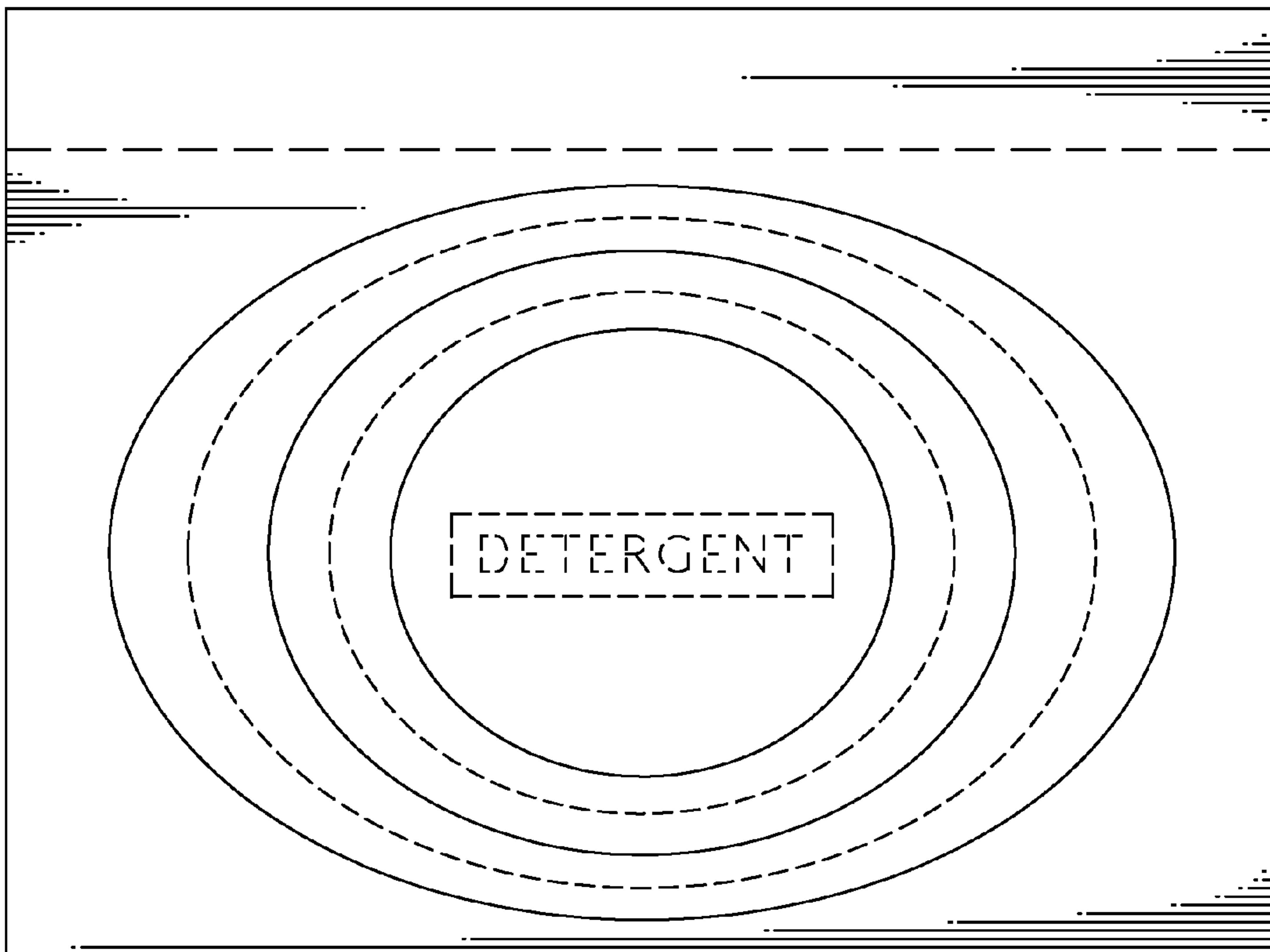


FIG. 2

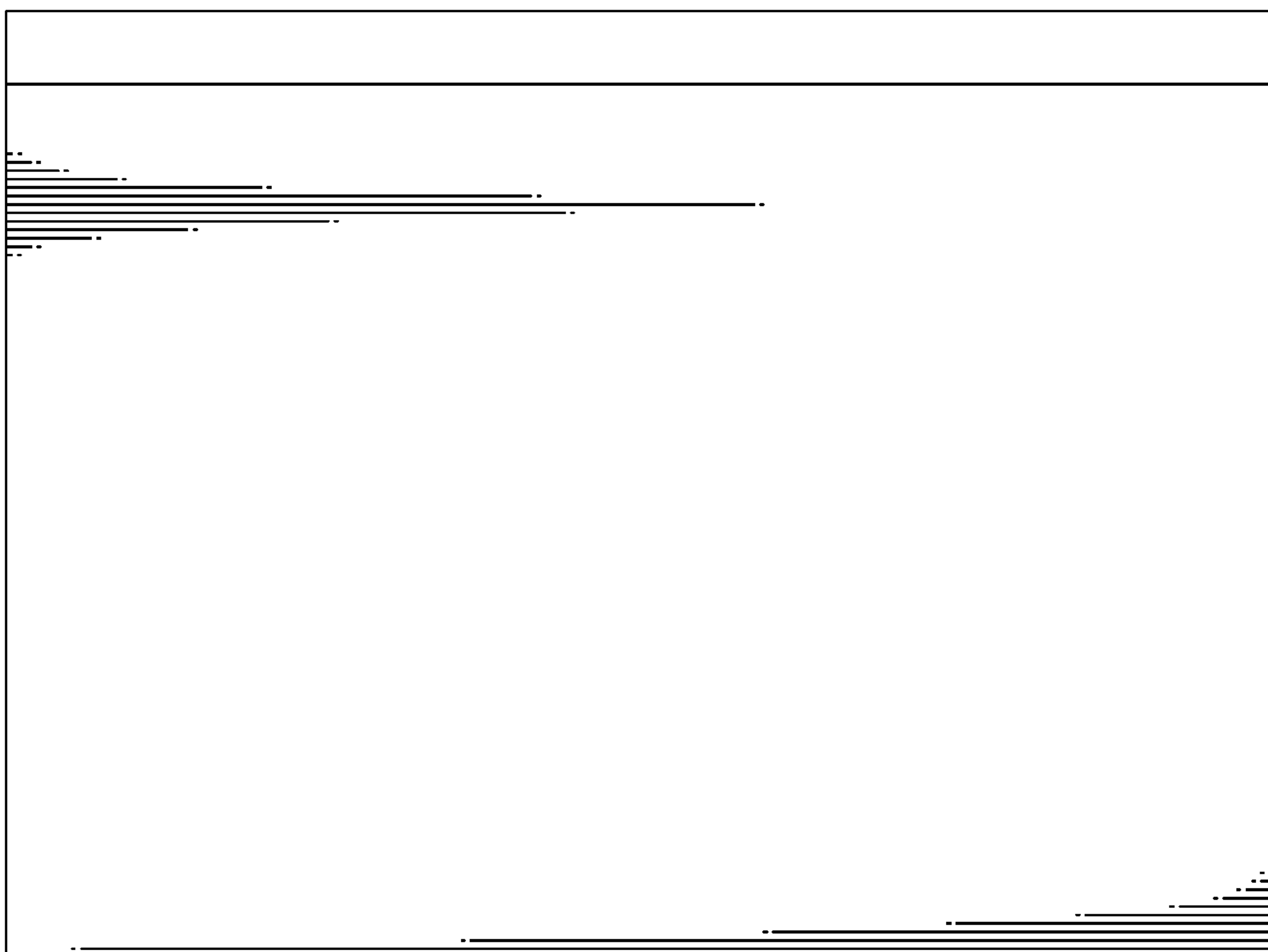


FIG. 3

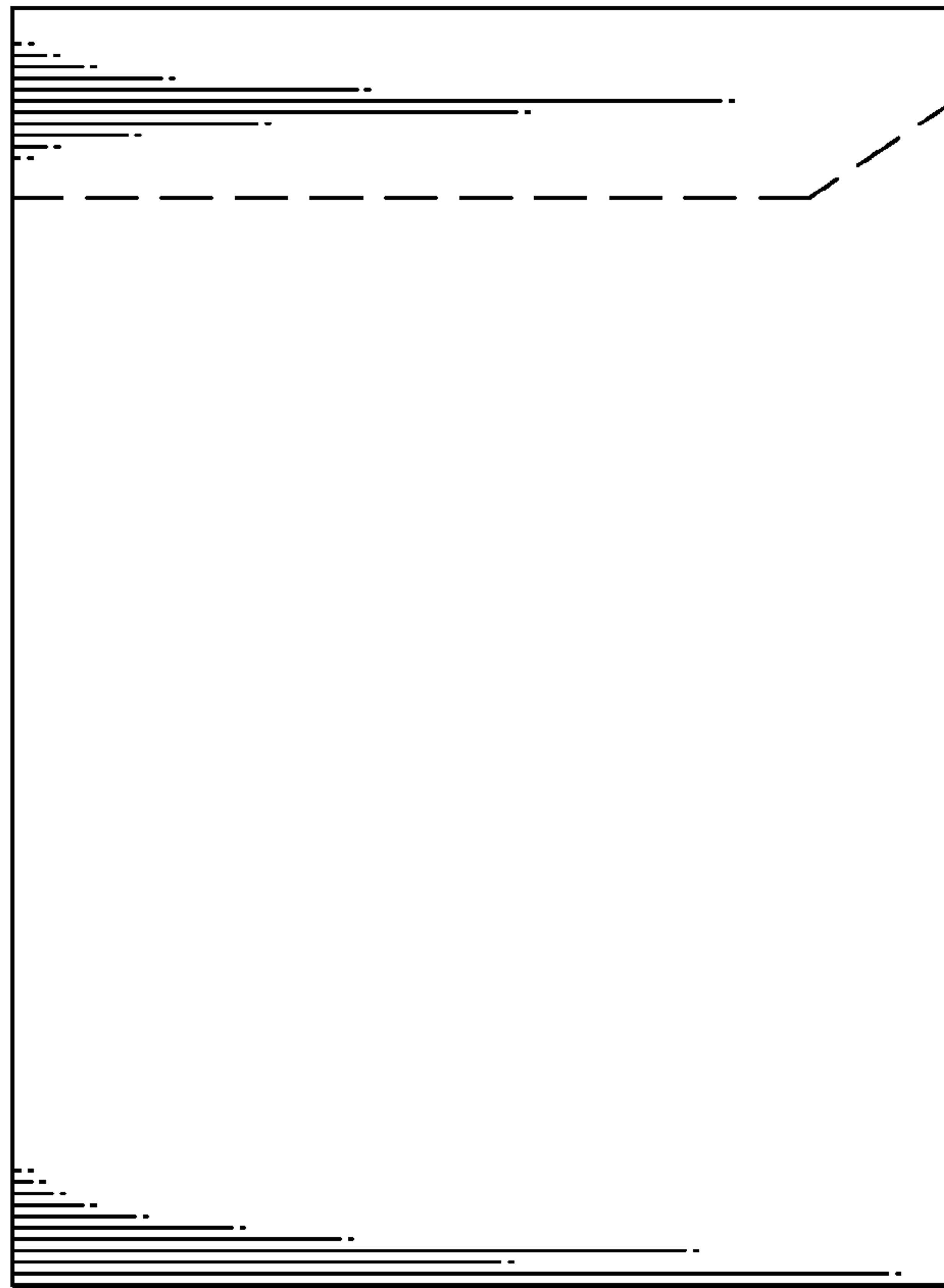


FIG. 4

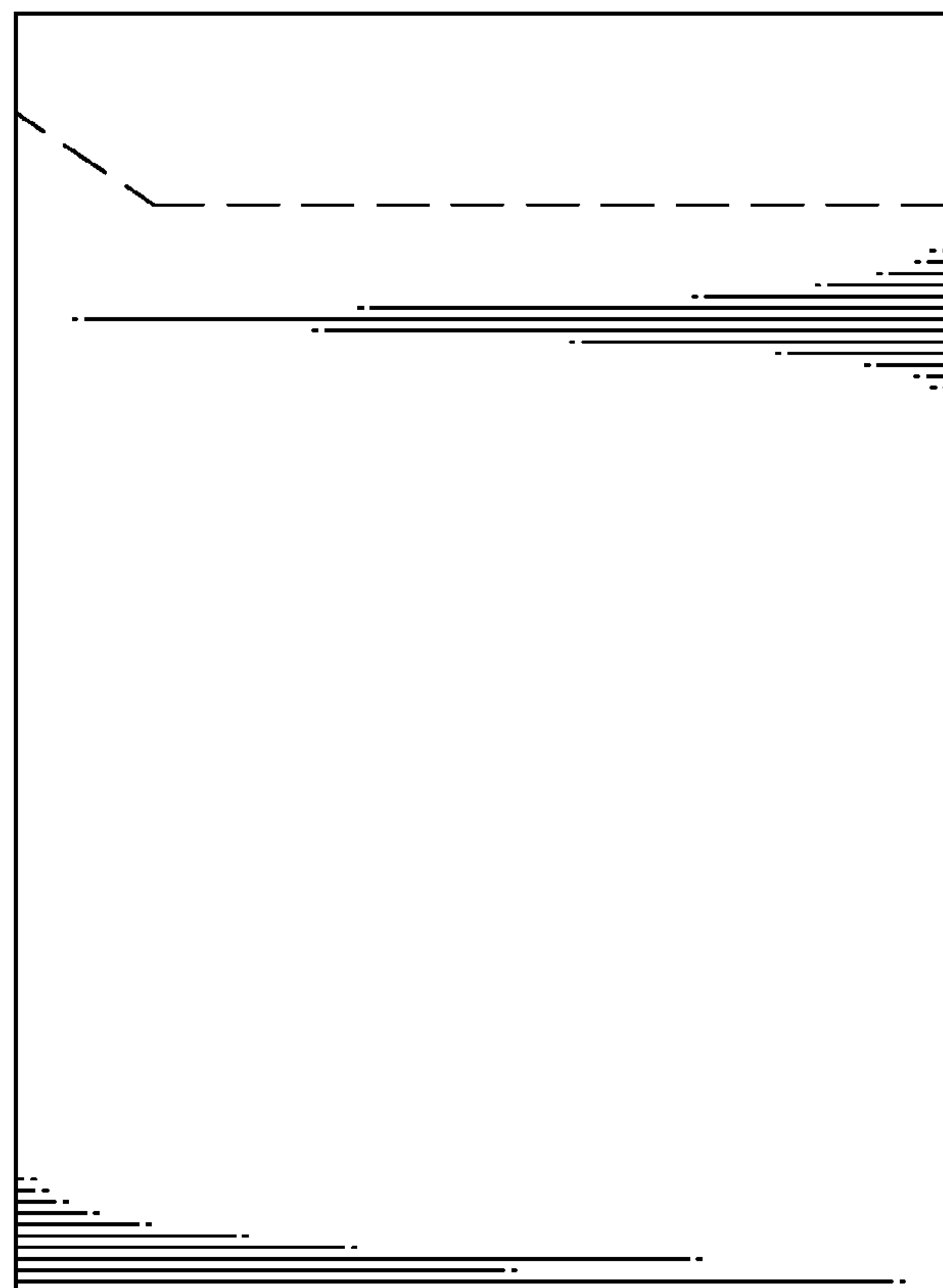


FIG. 5

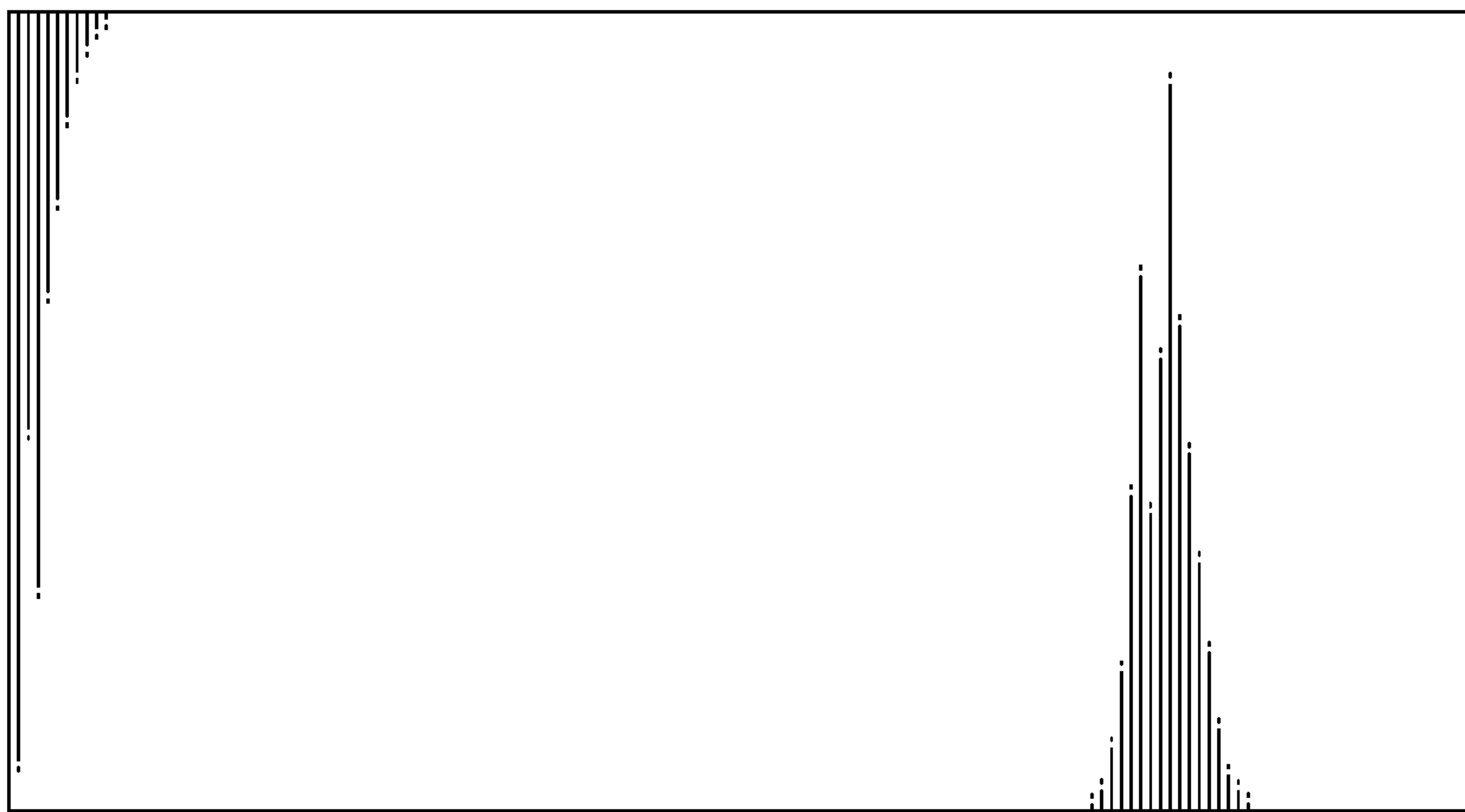


FIG. 6

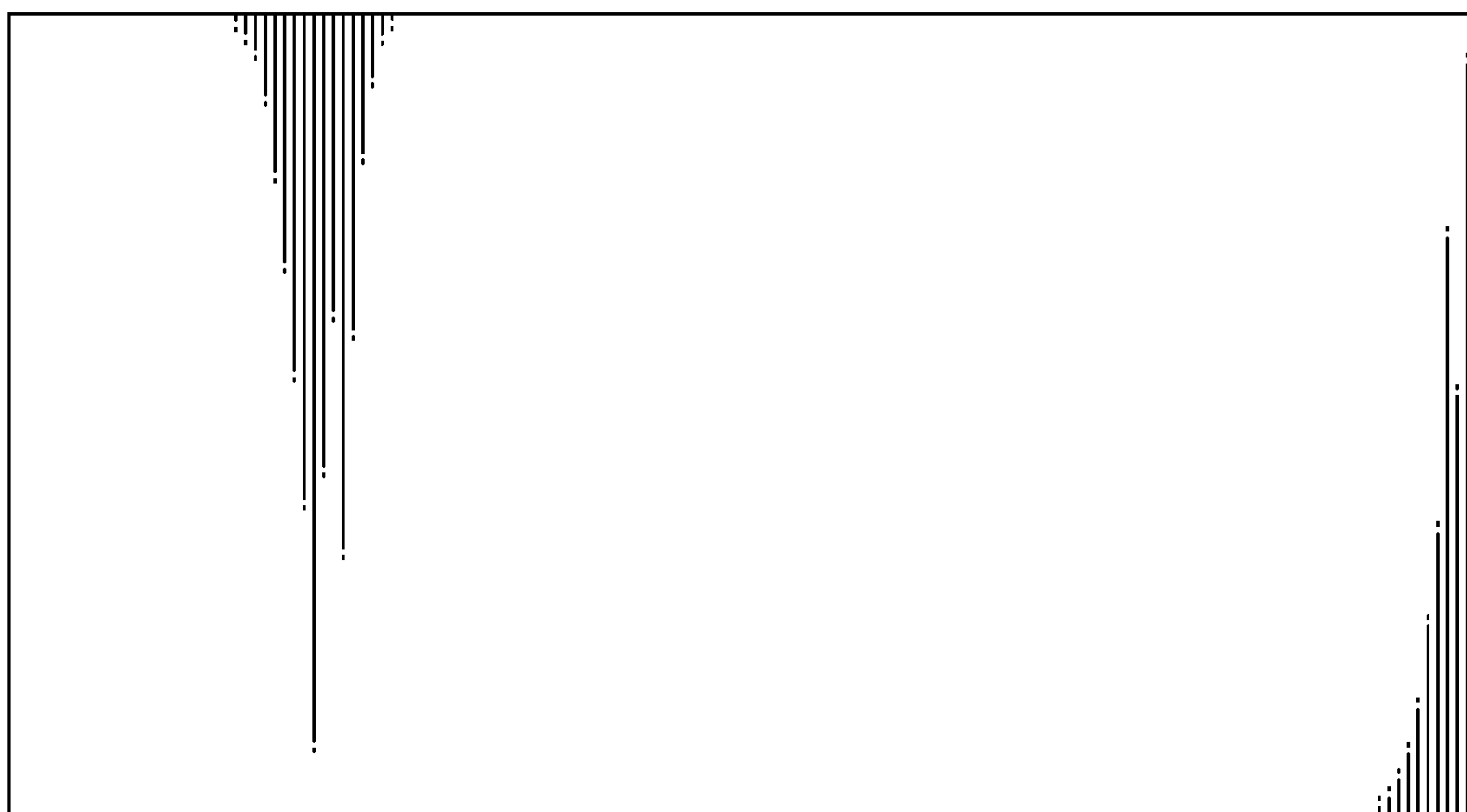


FIG. 7