



US00D637074S

(12) **United States Design Patent**
Maki et al.

(10) **Patent No.:** **US D637,074 S**
(45) **Date of Patent:** **** *May 3, 2011**

(54) **CONTAINER**

(75) Inventors: **James J. Maki**, McHenry, IL (US);
Marcus H. Parsons, Crystal Lake, IL
(US); **Jonathan A. Lee**, Milford, CT
(US)

(73) Assignee: **The Quaker Oats Company**, Chicago,
IL (US)

(**) Term: **14 Years**

(21) Appl. No.: **29/365,197**

(22) Filed: **Jul. 6, 2010**

(51) **LOC (9) Cl.** **09-03**

(52) **U.S. Cl.** **D9/417**

(58) **Field of Classification Search** D9/416,
D9/417, 420, 421, 422, 423, 428, 432, 520,
D9/525-529, 572-575, 782; D3/203.2, 294;
D7/629; 215/382, 400, 669, 675

See application file for complete search history.

(56) **References Cited**

U.S. PATENT DOCUMENTS

1,697,664	A *	1/1929	Schweich	229/108
2,692,698	A *	10/1954	Waterman	220/350
D249,931	S *	10/1978	Russert	D9/417
D252,558	S *	8/1979	Beck	D9/418
D311,665	S	10/1990	Carlson		
5,083,701	A *	1/1992	Passamoni	229/125.08
D328,710	S	8/1992	Deflander		
5,402,933	A	4/1995	Behrmann		
D364,344	S *	11/1995	Shaw	D9/421
D395,204	S	6/1998	Wood		
5,829,637	A	11/1998	Takemura et al.		
5,857,614	A	1/1999	Walsh		
5,911,359	A	6/1999	Stone et al.		
5,957,280	A	9/1999	Focke et al.		
D430,025	S	8/2000	Kelsey		
6,131,806	A	10/2000	Hess, III et al.		
D433,941	S *	11/2000	Kelsey	D9/432

6,349,866	B1	2/2002	Stewart et al.		
6,386,438	B1	5/2002	Walsh et al.		
6,419,151	B1	7/2002	Urtubey		
D462,806	S	9/2002	Draghetti		
6,471,083	B1	10/2002	Helms		
6,484,929	B2	11/2002	Sumpmann et al.		
D485,754	S *	1/2004	Fielder et al.	D9/416
6,715,605	B1	4/2004	Manservigi et al.		
D502,871	S *	3/2005	Ghini et al.	D9/430
D523,344	S	6/2006	Toth et al.		
7,097,092	B1	8/2006	Marrale		
D530,447	S	10/2006	Velloni et al.		
7,156,228	B2	1/2007	Brizzi et al.		
D540,161	S *	4/2007	Terrasi	D9/417
D540,162	S *	4/2007	Chin et al.	D9/417
D545,186	S *	6/2007	Liebe et al.	D9/420
D550,512	S	9/2007	Delsol		

(Continued)

OTHER PUBLICATIONS

Picture downloaded from <http://www.globalpackagegallery.com/main.php/key/U?g2_itemId=61192> on Jul. 8, 2010.

(Continued)

Primary Examiner — Thomas J Johannes

(74) *Attorney, Agent, or Firm* — Banner & Witcoff, Ltd.

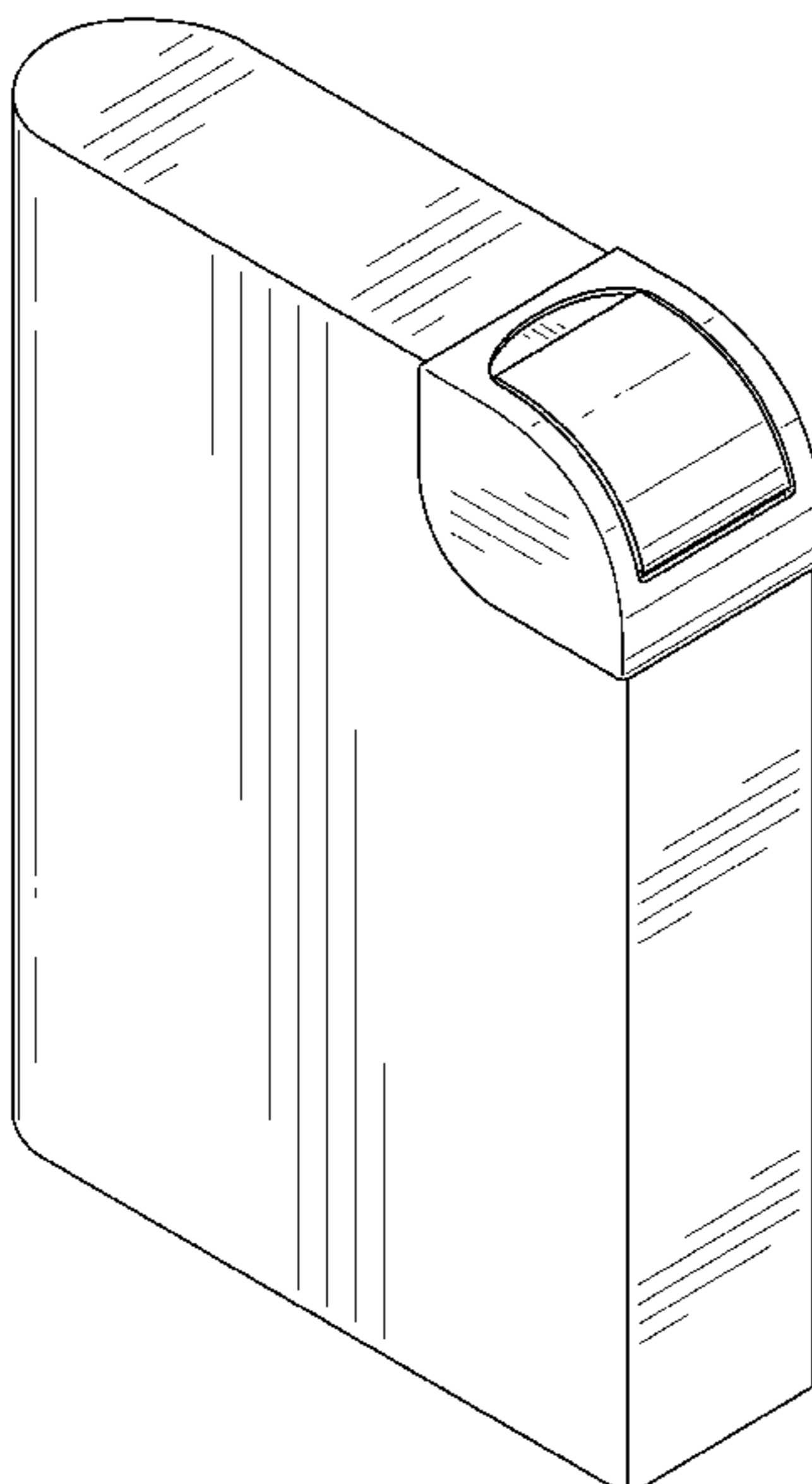
(57) **CLAIM**

The ornamental design for a container, as shown and described.

DESCRIPTION

FIG. 1 is a top, front, right perspective view of a container showing our new design;
FIG. 2 is a front view thereof;
FIG. 3 is a rear view thereof;
FIG. 4 is a right side view thereof;
FIG. 5 is a left side view thereof;
FIG. 6 is a top view thereof; and,
FIG. 7 is a bottom view thereof.

1 Claim, 5 Drawing Sheets



US D637,074 S

Page 2

U.S. PATENT DOCUMENTS

D556,035 S 11/2007 Peeters
7,320,399 B2 1/2008 Ghini et al.
D573,889 S * 7/2008 Short et al. D9/529
D574,246 S 8/2008 Russell et al.
D578,302 S * 10/2008 Arvidsson et al. D3/203.2
D584,614 S 1/2009 Russell et al.
D586,221 S 2/2009 Shaikh
D604,502 S 11/2009 Lee et al.
D615,700 S 5/2010 Borges et al.
7,726,473 B2 6/2010 Miyazawa et al.
D619,425 S 7/2010 Watkins
2002/0190072 A1 12/2002 Strange
2005/0211754 A1 9/2005 Fulcher
2005/0274086 A1 12/2005 Petrelli et al.

2006/0255110 A1 11/2006 Kaneko
2007/0164029 A1 7/2007 Gelardi et al.
2008/0006680 A1 1/2008 Hernandez et al.
2008/0135605 A1 6/2008 Manaige

OTHER PUBLICATIONS

Pictures downloaded from <http://www.target.com/dp/B00152BNG/ref=sc_qi_img_viewdetails?ie=UTF8&title=view%20full%20details> on Jul. 8, 2010.
“TheDieline.com” web page downloaded on Jul. 8, 2010.
“mediabistro.com” web page downloaded on Jul. 8, 2010.
“The Breakfast Bowl” web page downloaded on Jul. 8, 2010.

* cited by examiner

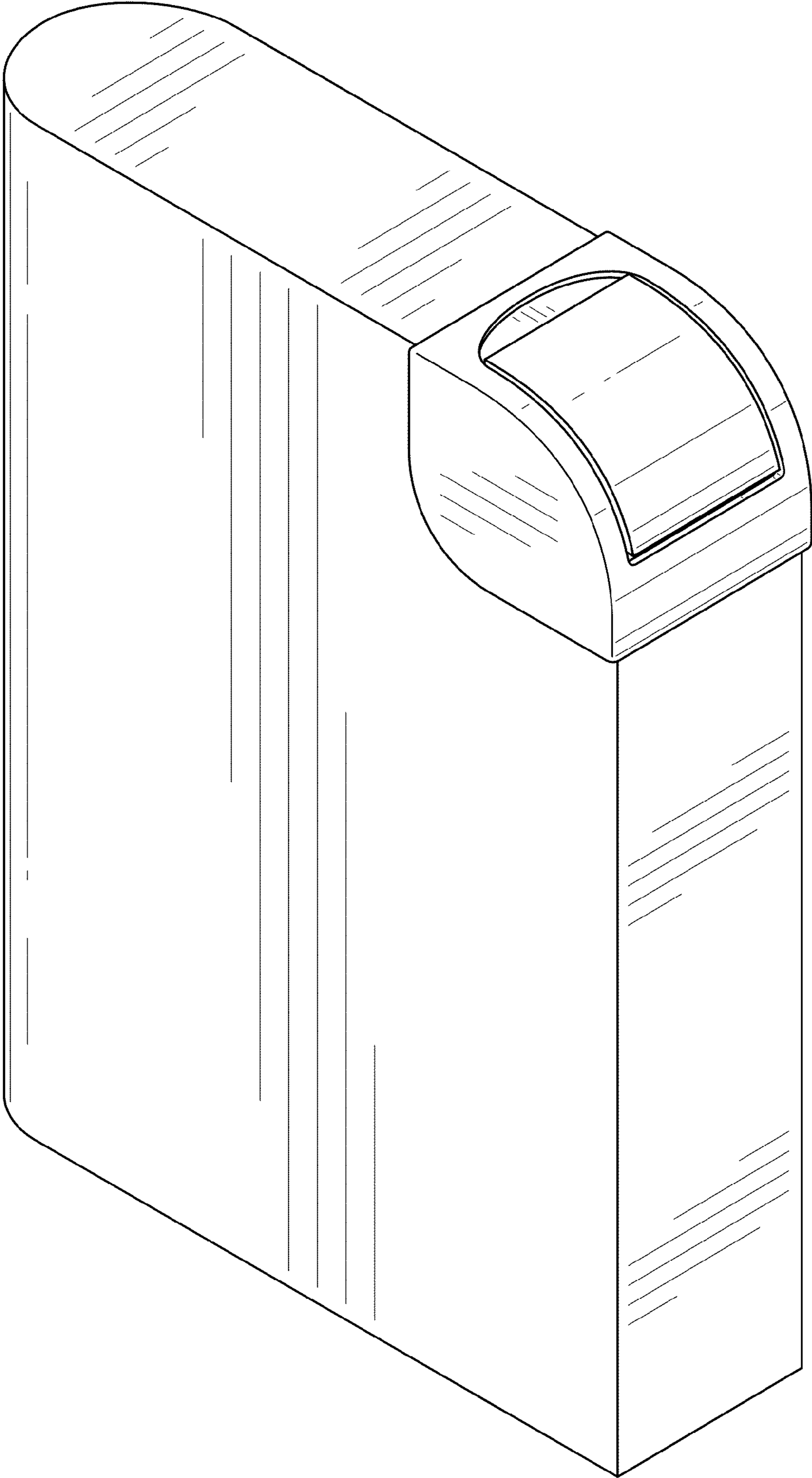


FIG. 1

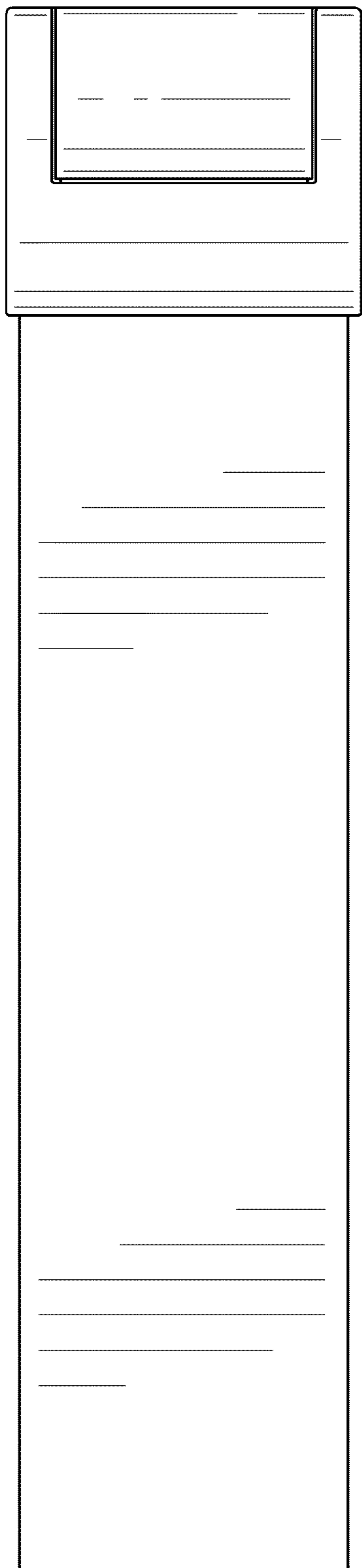


FIG. 2

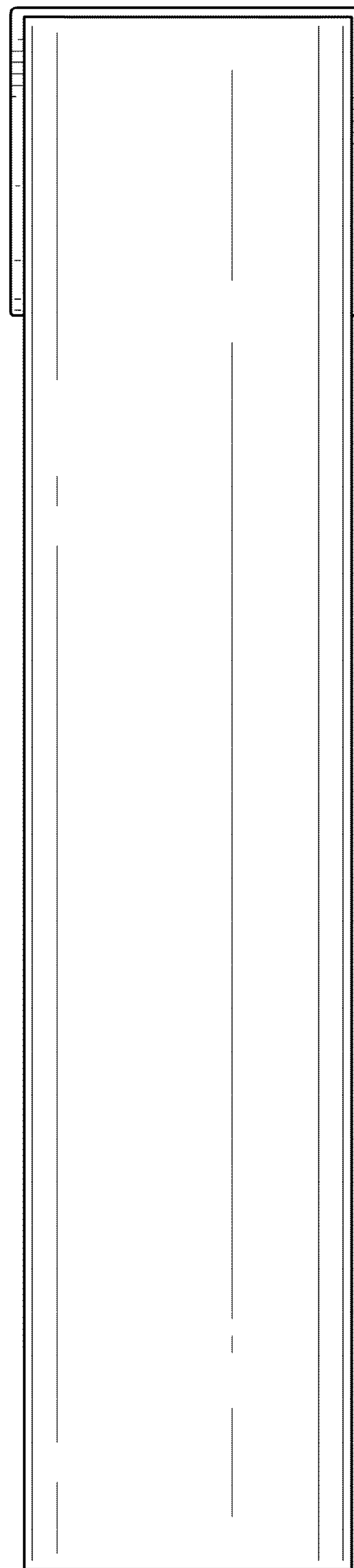


FIG. 3

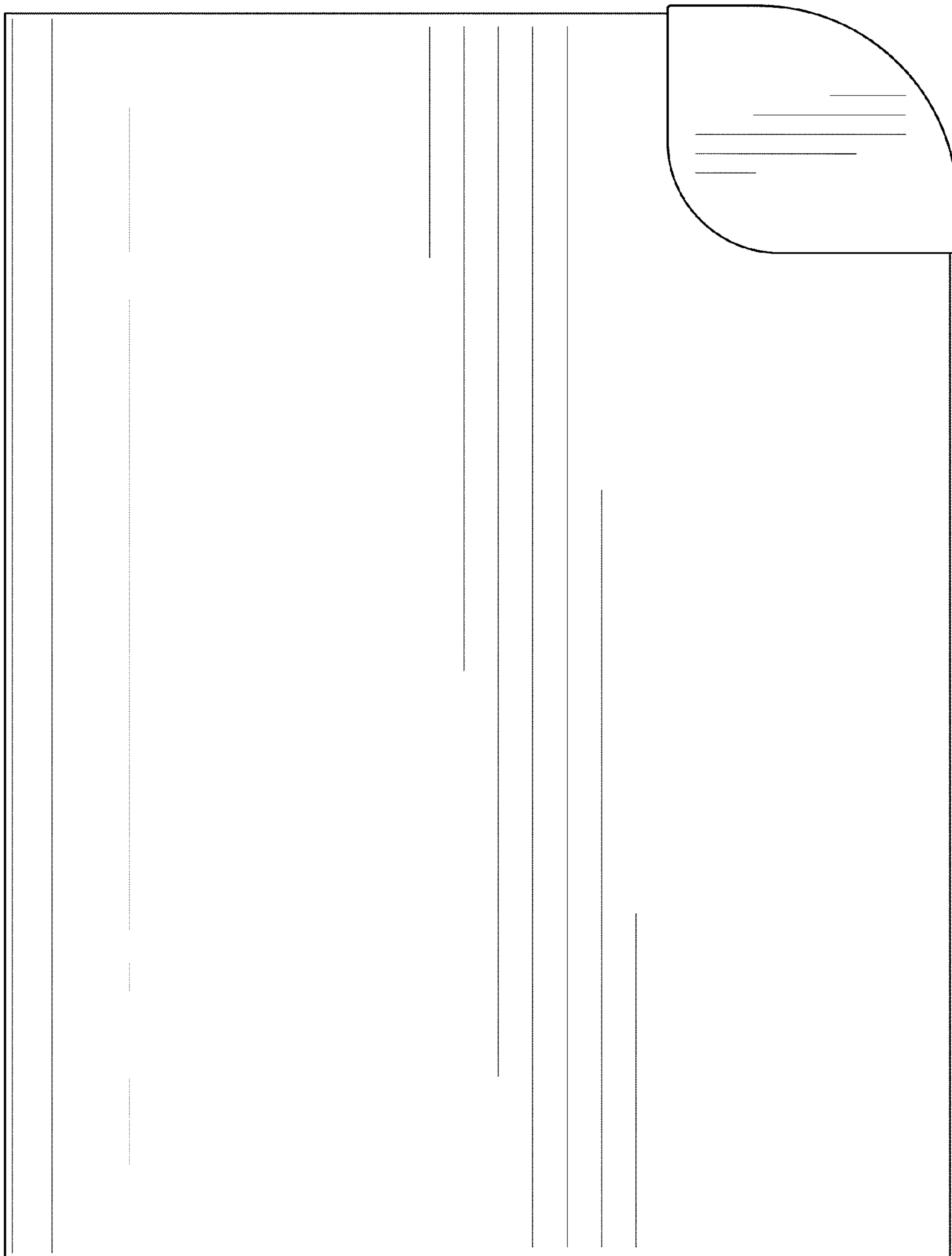


FIG. 4

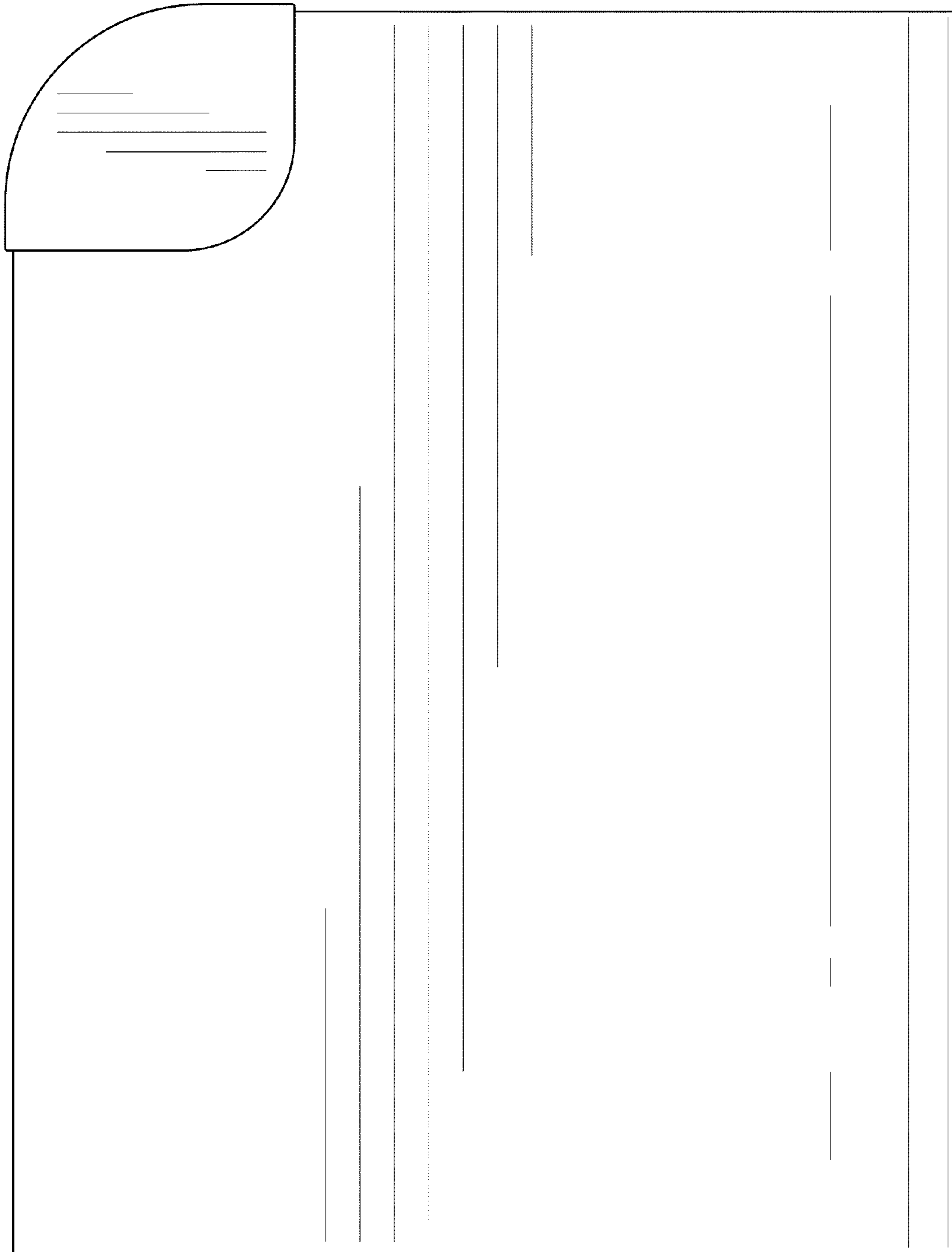


FIG. 5

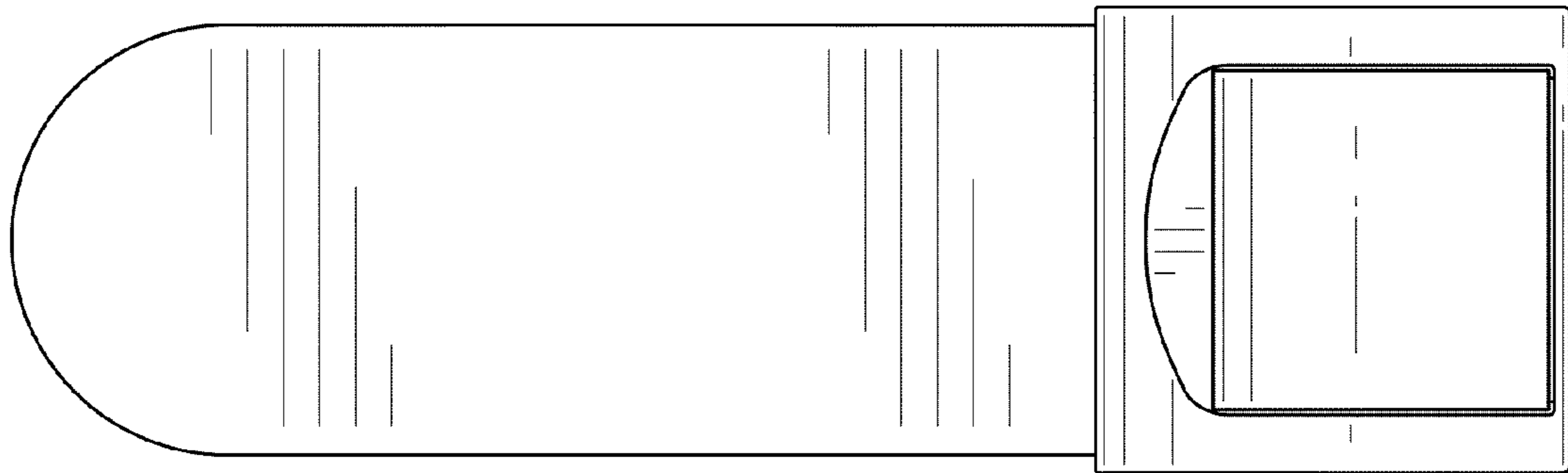


FIG. 6

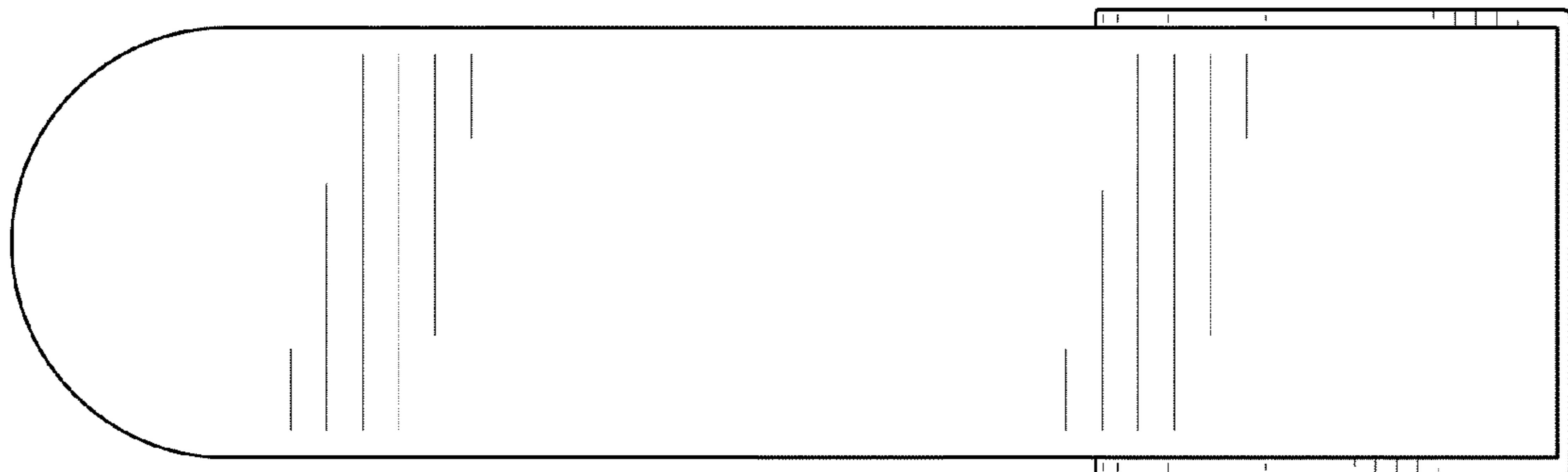


FIG. 7