



US00D637073S

(12) **United States Design Patent**
Morcos

(10) **Patent No.:** **US D637,073 S**

(45) **Date of Patent:** **** May 3, 2011**

(54) **DISPLAY PACKAGING**

(76) **Inventor:** **Wagdy Morcos, Norwalk, CA (US)**

(**) **Term:** **14 Years**

(21) **Appl. No.:** **29/358,897**

(22) **Filed:** **Apr. 1, 2010**

(51) **LOC (9) Cl.** **09-03**

(52) **U.S. Cl.** **D9/415**

(58) **Field of Classification Search** D9/700,
D9/701, 702, 707-709, 715, 722, 414-416,
D9/418, 419, 425, 426, 428; 206/445, 461-471,
206/475, 775, 779, 780, 476, 806

See application file for complete search history.

(56) **References Cited**

U.S. PATENT DOCUMENTS

1,816,542	A *	7/1931	Mellin	206/463
3,151,741	A *	10/1964	Haecker	206/579
3,173,540	A *	3/1965	Lapides	206/463
3,212,637	A *	10/1965	Shippee	206/467
3,559,803	A *	2/1971	Deneke	206/463
D237,947	S *	12/1975	Ochiai	D9/701
D309,480	S *	7/1990	Olney	D9/722

5,184,724	A *	2/1993	Mayled	206/466
5,908,111	A *	6/1999	Purdy	206/461
6,076,675	A *	6/2000	Pawlowski	206/459.5
6,230,964	B1 *	5/2001	Saito	229/92.8
6,540,073	B1 *	4/2003	Hagel et al.	206/379
6,708,820	B2 *	3/2004	Hansen et al.	206/308.1
2008/0035516	A1 *	2/2008	Lombardi et al.	206/469

* cited by examiner

Primary Examiner — Catherine Tuttle

(74) *Attorney, Agent, or Firm* — Cohen IP Law Group, PC;
Michael N. Cohen

(57) **CLAIM**

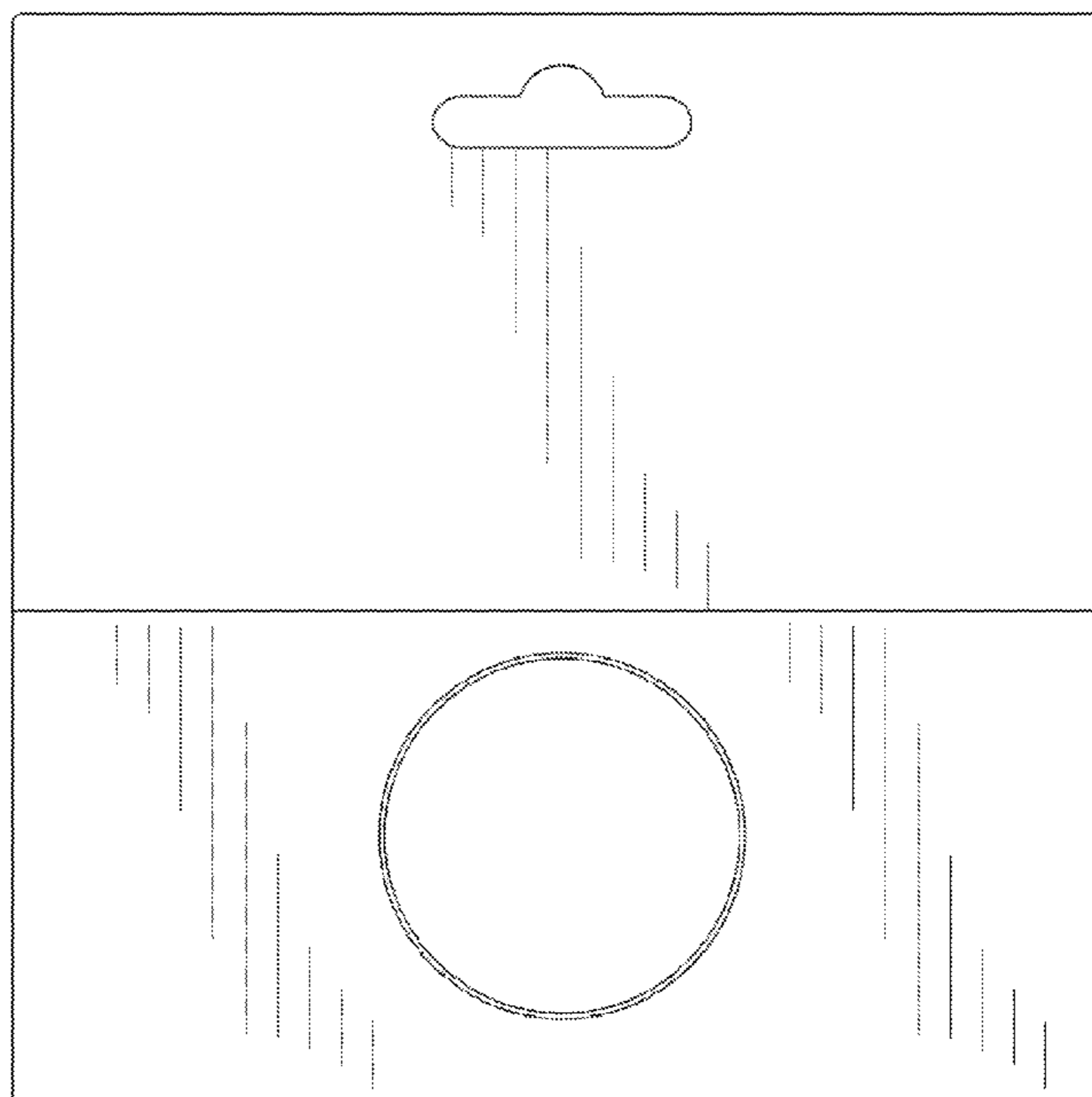
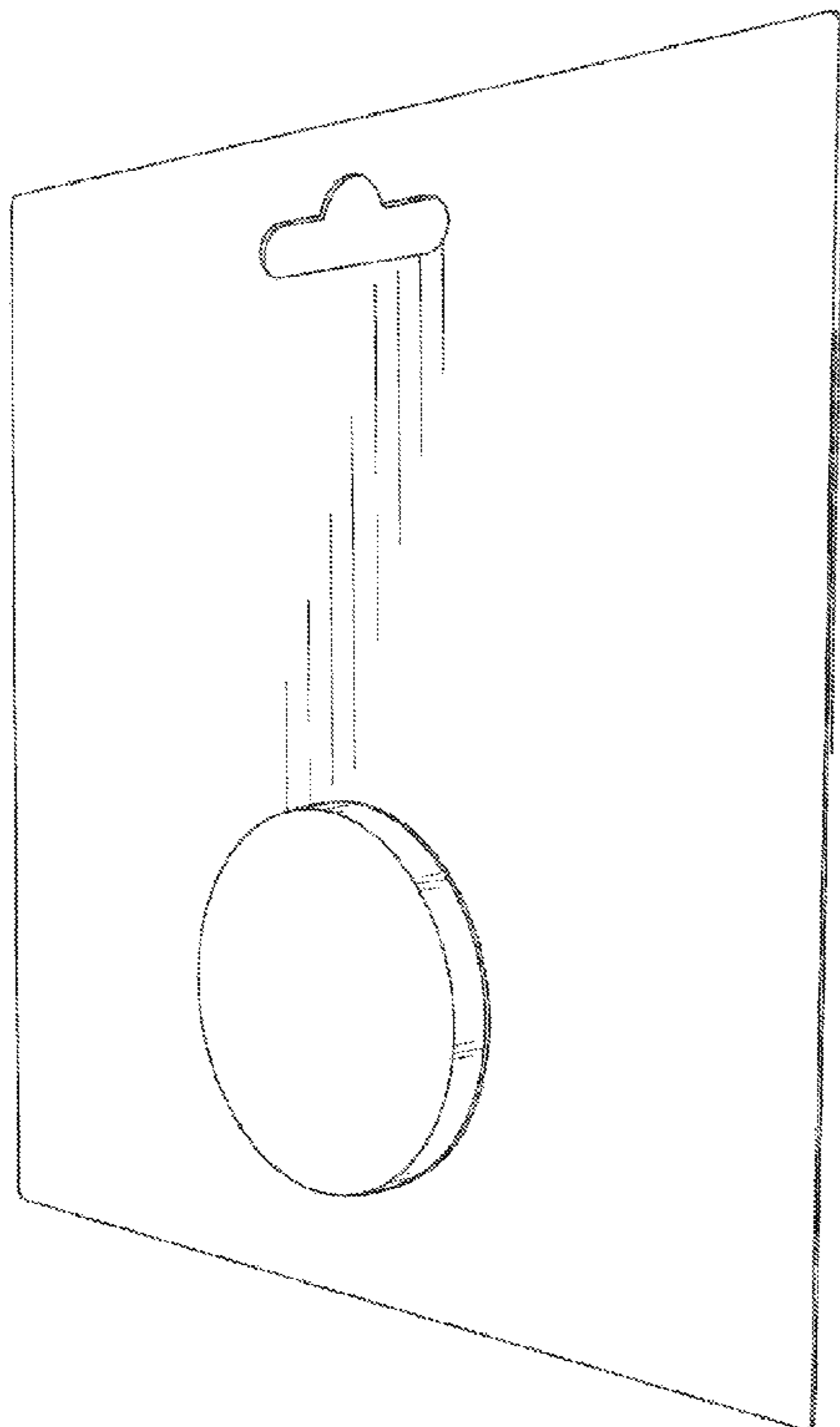
I claim the ornamental design for a display packaging, as shown and described.

DESCRIPTION

FIG. 1 is a side perspective view of the display packaging;
FIG. 2 is a front view of FIG. 1;
FIG. 3 is a rear view of FIG. 1;
FIG. 4 is a left side view of FIG. 1; and,
FIG. 5 is a top view of FIG. 1.

The appearance within the unshaded circular regions of FIGS. 1-3 forms no part of the claimed design.

1 Claim, 5 Drawing Sheets



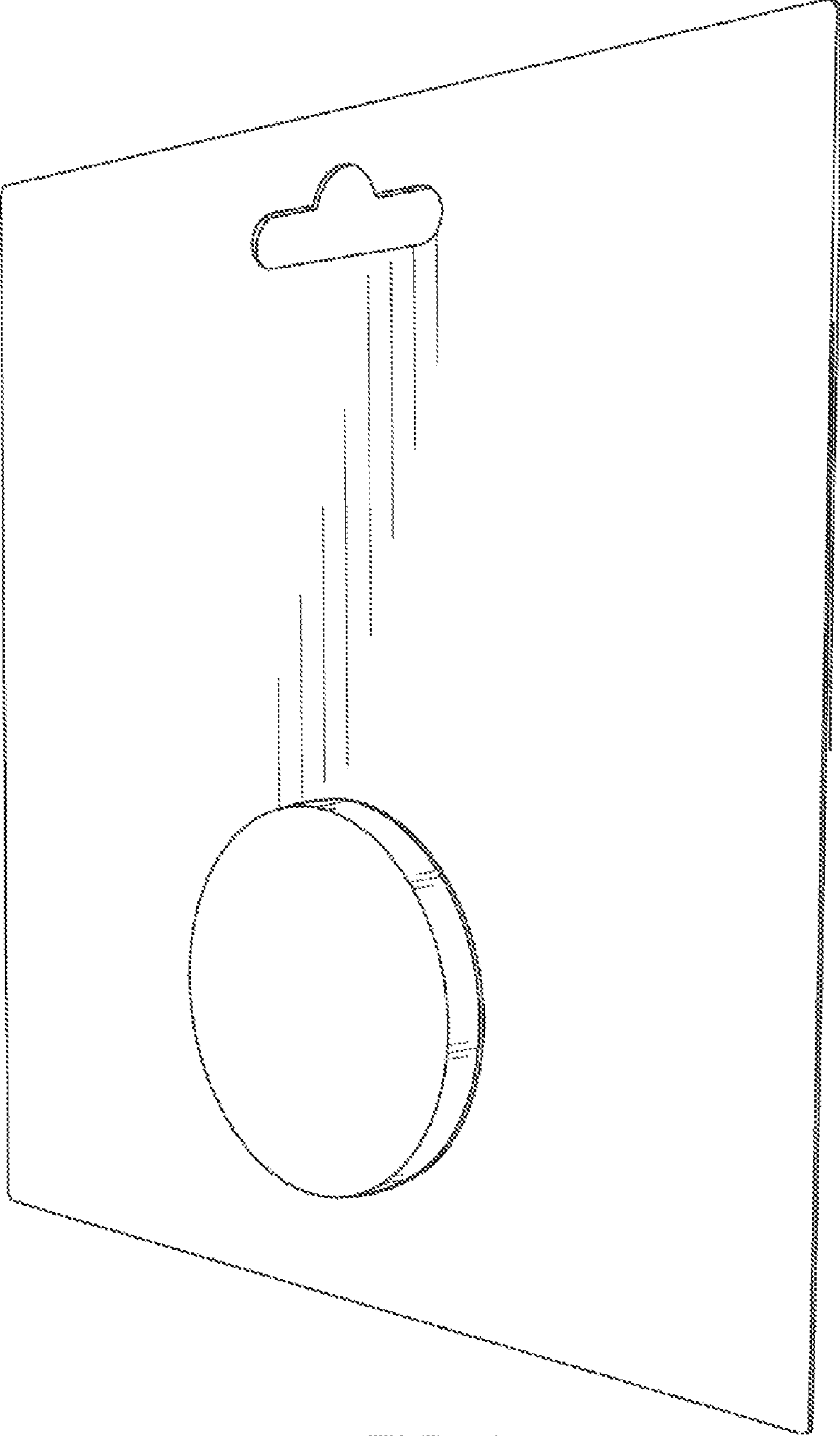


FIG. 1

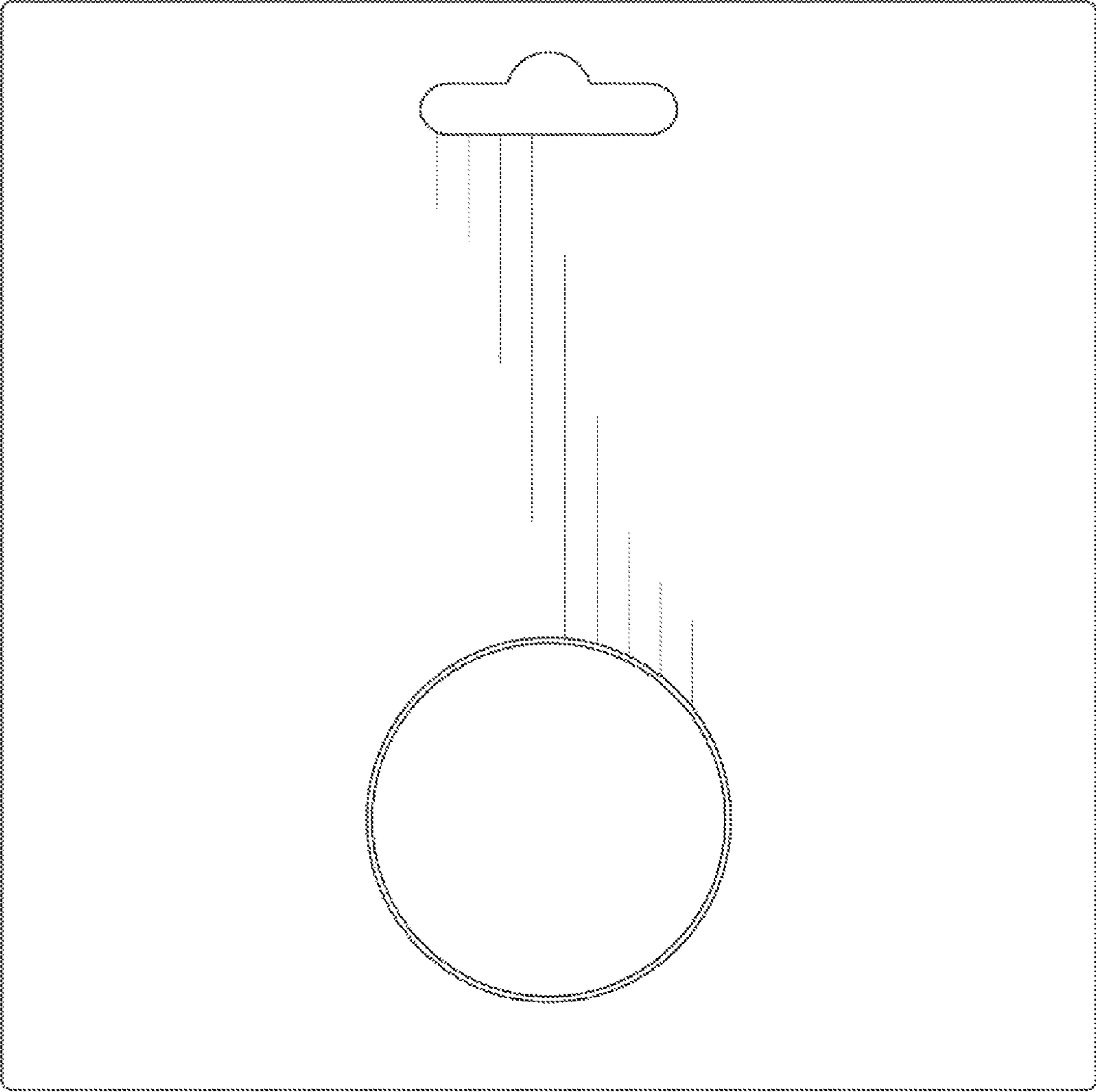


FIG. 2

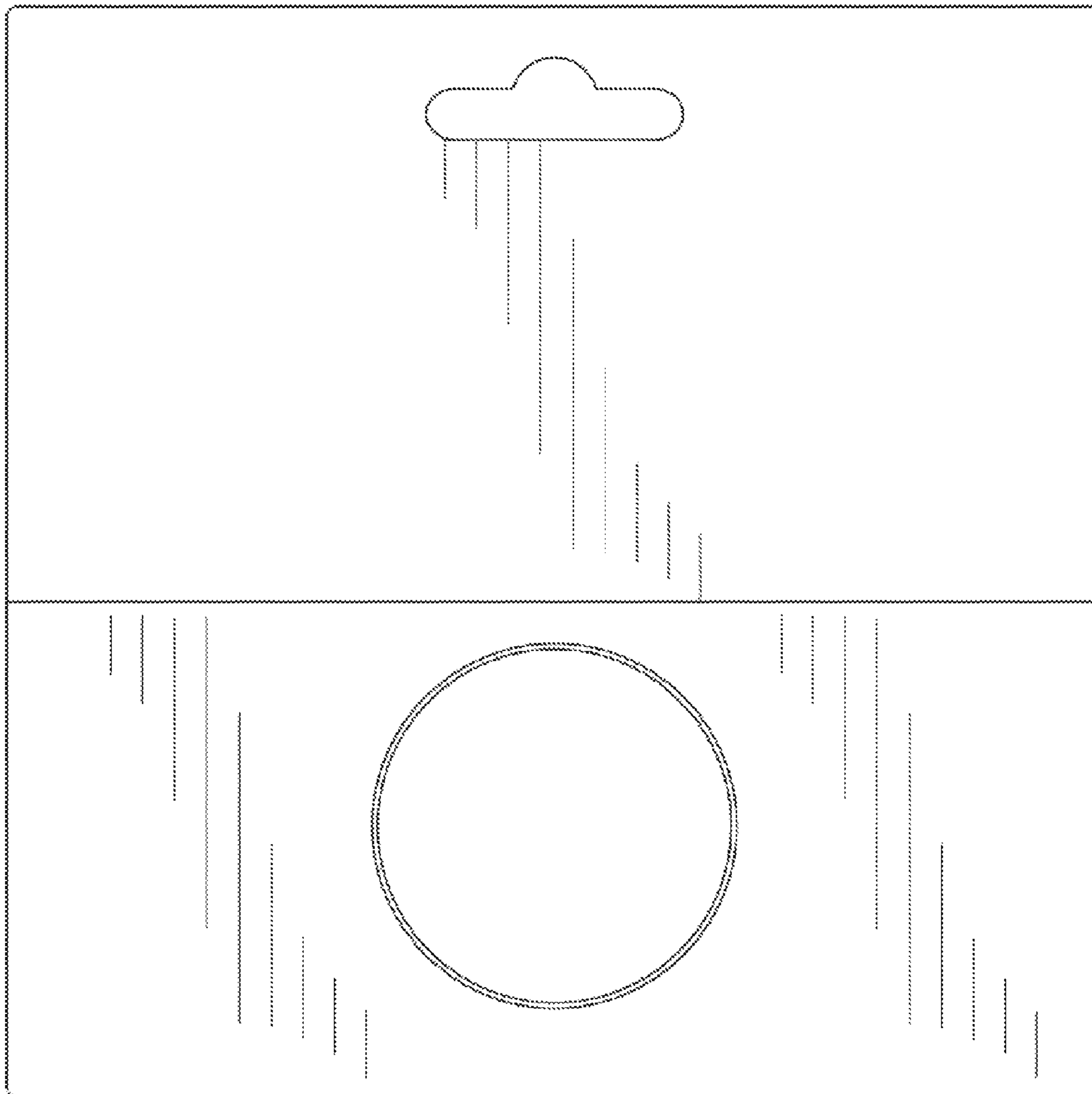


FIG. 3

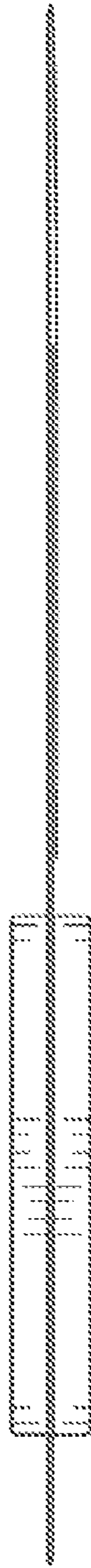


FIG. 4

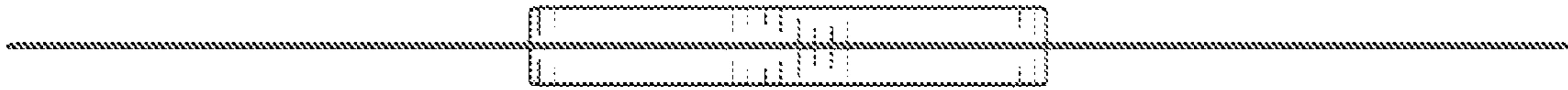


FIG. 5