



US00D637071S

(12) **United States Design Patent**  
**Gaudron et al.**

(10) **Patent No.:** **US D637,071 S**

(45) **Date of Patent:** **\*\* May 3, 2011**

(54) **SCREW**

D585,731 S \* 2/2009 Carrillo et al. .... D8/387  
D614,942 S \* 5/2010 Gaudron .... D8/387

(75) Inventors: **Paul Gaudron**, Stratford, CT (US);  
**Jacob Olsen**, Roselle, IL (US)

\* cited by examiner

(73) Assignee: **Powers Fasteners, Inc.**, Brewster, NY  
(US)

*Primary Examiner* — Holly H Baynham

*Assistant Examiner* — Sheryl Lane

(74) *Attorney, Agent, or Firm* — Cantor Colburn LLP

(\*\*) Term: **14 Years**

(57) **CLAIM**

I claim, the ornamental design for a screw, as shown and described.

(21) Appl. No.: **29/354,160**

**DESCRIPTION**

(22) Filed: **Jan. 20, 2010**

(51) **LOC (9) Cl.** ..... **08-08**

(52) **U.S. Cl.** ..... **D8/387**

(58) **Field of Classification Search** ..... D8/387,  
D8/388; 411/410, 419, 378, 387.1, 393,  
411/402, 411, 417-418, 399

See application file for complete search history.

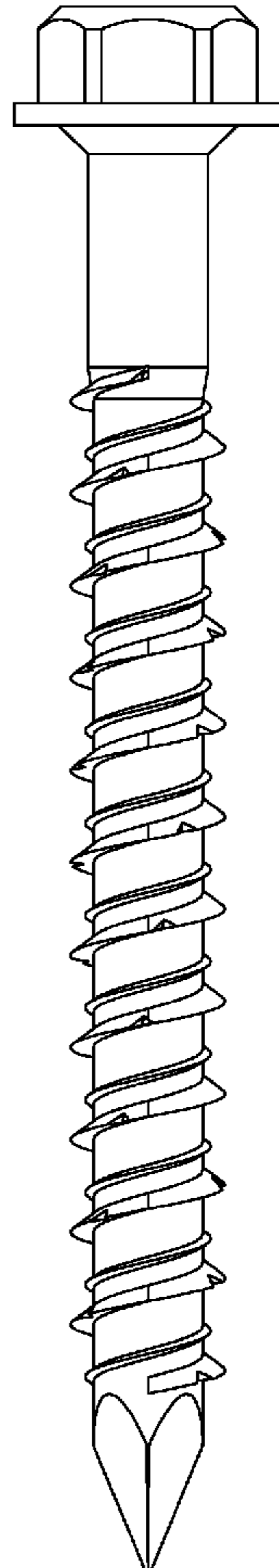
FIG. 1 is a top plan view of the screw;  
FIG. 2 is a front view of the screw,  
FIG. 3 is a side view of the screw;  
FIG. 4 is a rear view of the screw;  
FIG. 5 is the opposite side of the screw;  
FIG. 6 is a bottom plan view of the screw;  
FIG. 7 is a cross sectional view taken along section line 7—7  
of the screw in FIG. 4;  
FIG. 8 is an enlarged view of the circumscribed area 8 in FIG.  
7, illustrating the tooth flank angle of the screw; and,  
FIG. 9 is an isometric view of the screw.

(56) **References Cited**

**U.S. PATENT DOCUMENTS**

D419,431 S \* 1/2000 Hollis ..... D8/387  
D581,776 S \* 12/2008 Yin-Feng ..... D8/387

**1 Claim, 2 Drawing Sheets**



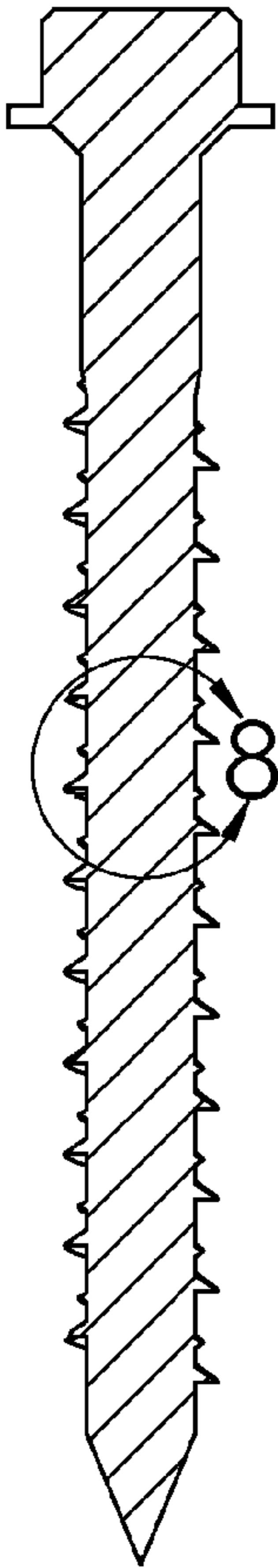


FIG. 7

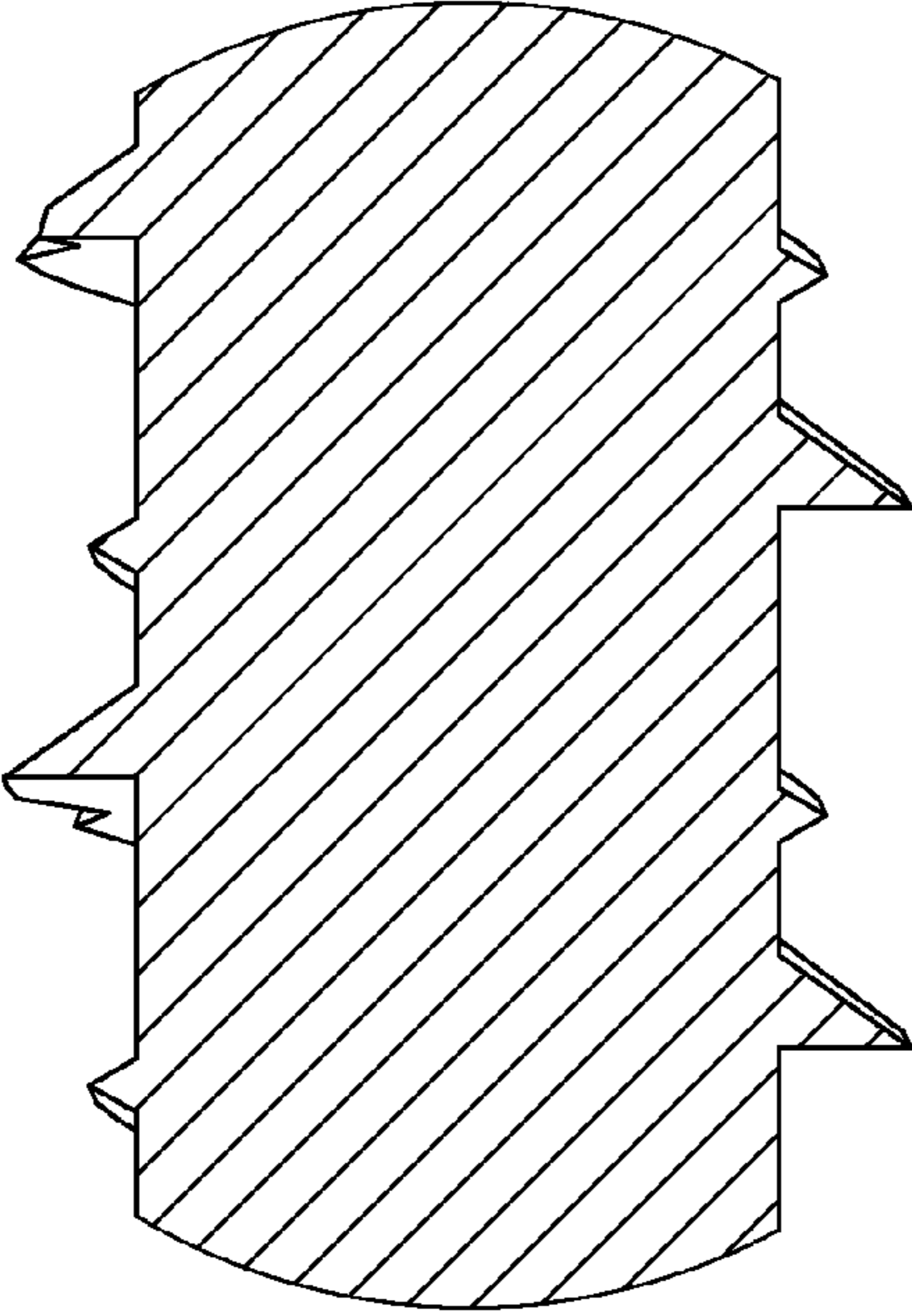


FIG. 8

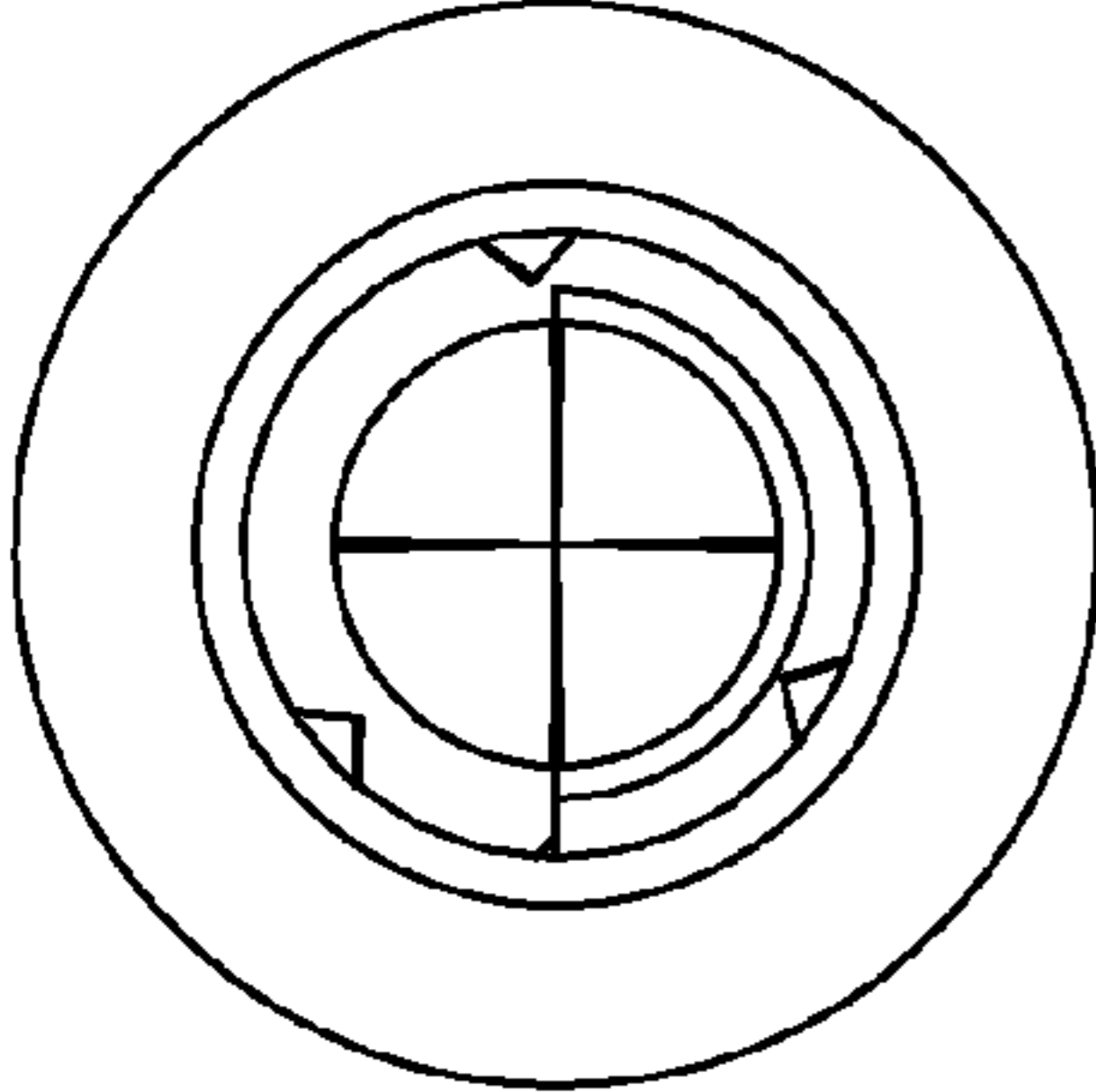


FIG. 6

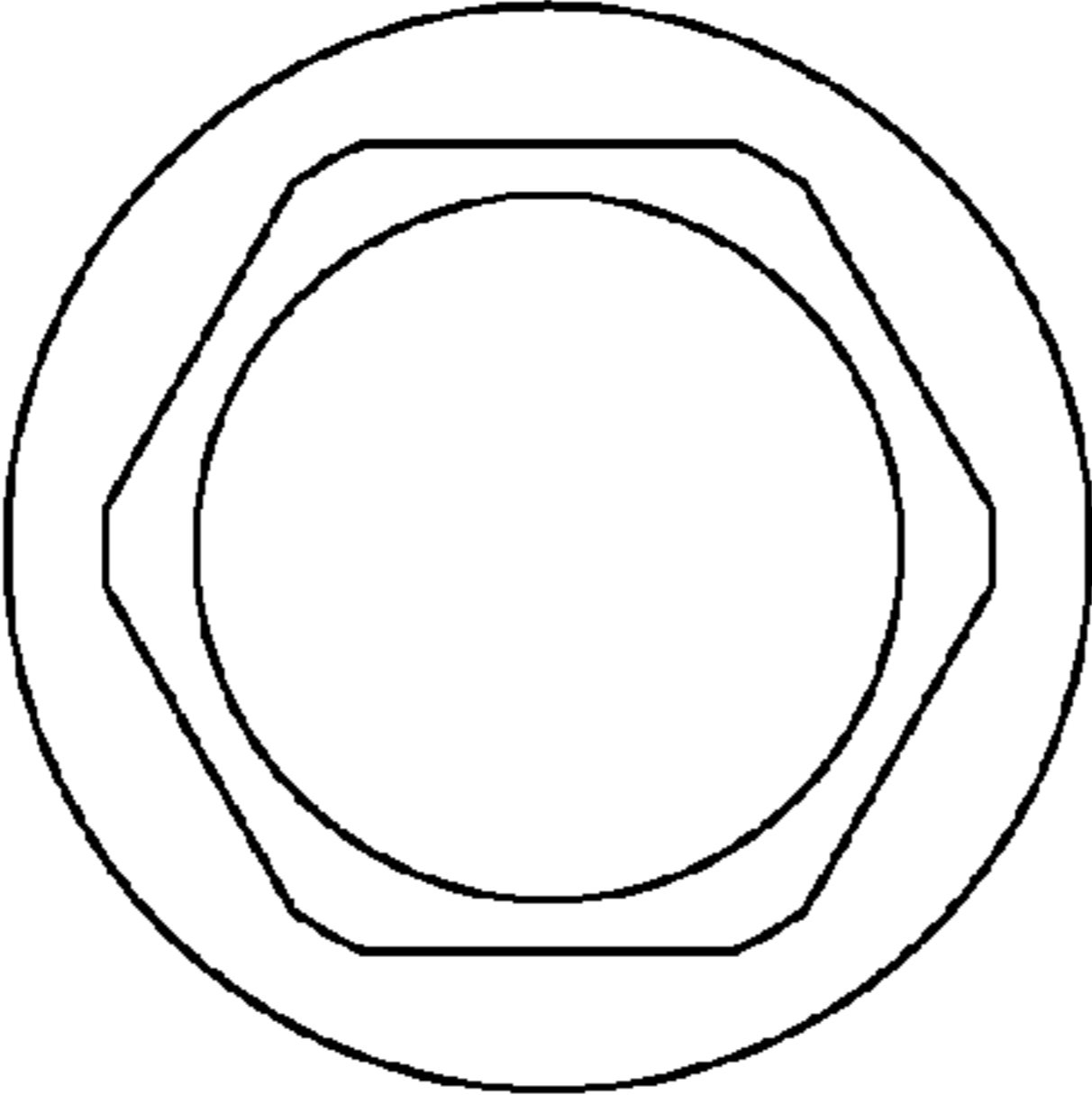


FIG. 1

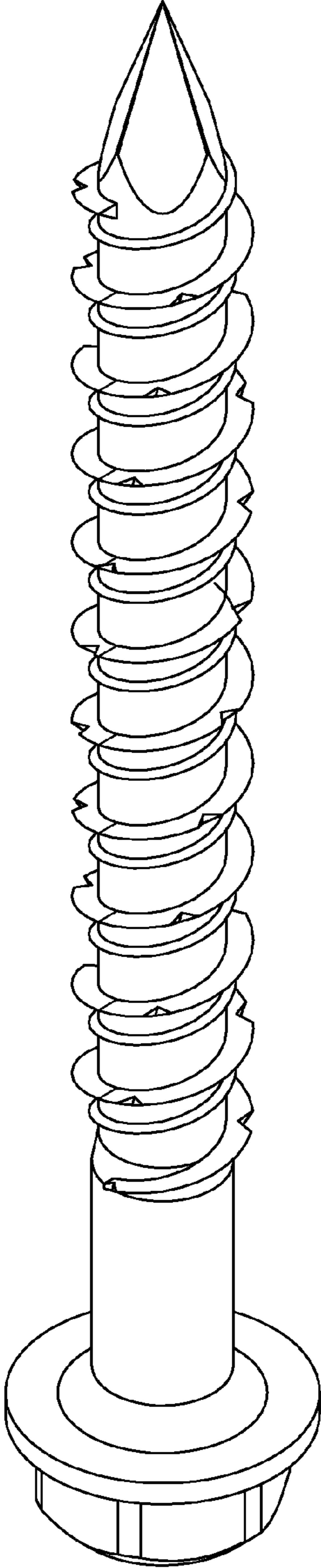


FIG. 9

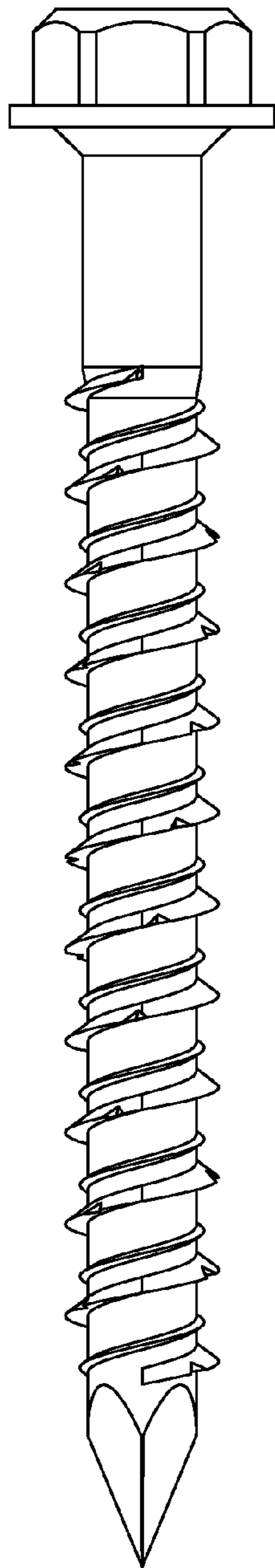


FIG. 2

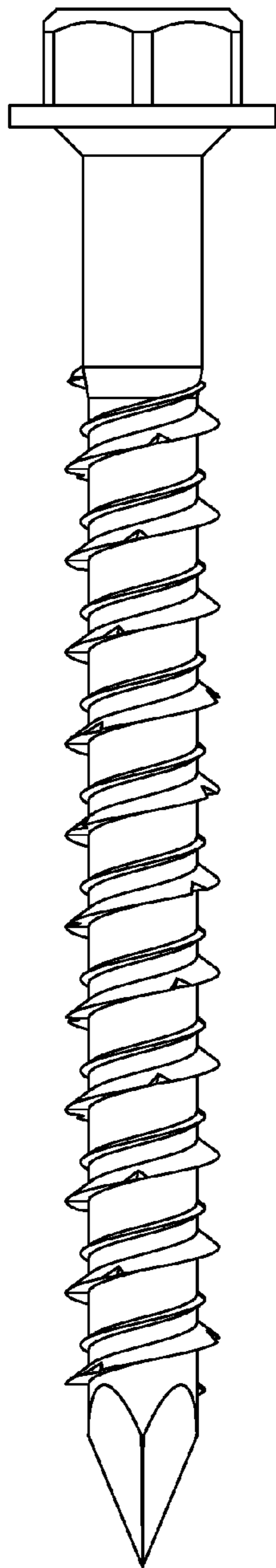


FIG. 3

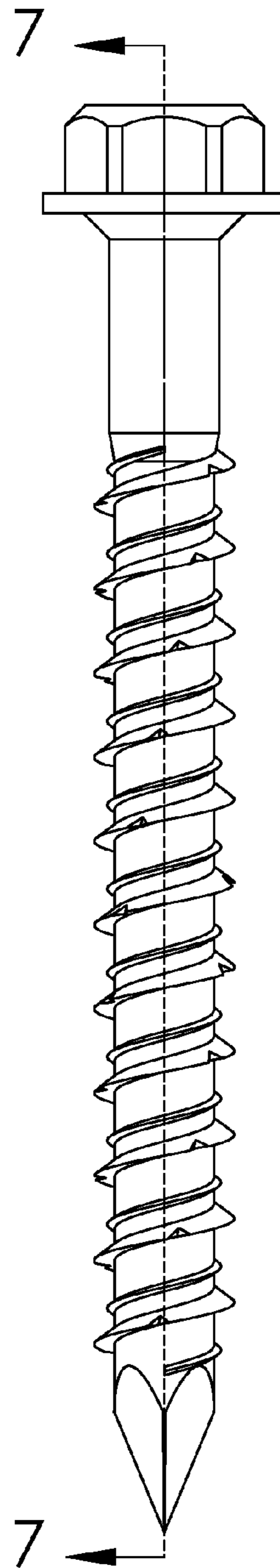


FIG. 4

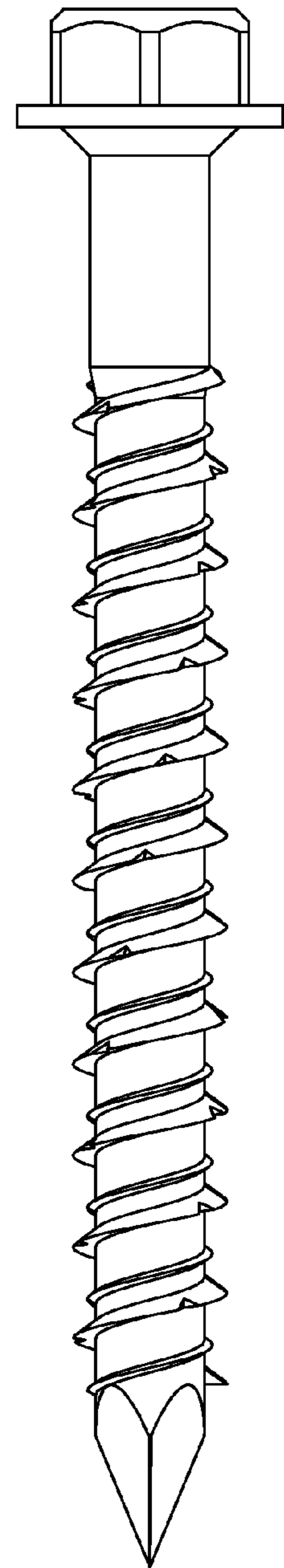


FIG. 5