



US00D637070S

(12) **United States Design Patent**
Wall

(10) **Patent No.:** **US D637,070 S**

(45) **Date of Patent:** **** May 3, 2011**

(54) **ATTACHING BUCKLE FOR COATED WIRE**

(75) Inventor: **John R. Wall**, Carmichaels, PA (US)

(73) Assignee: **John Wall, Inc.**, Carmichaels, PA (US)

(**) Term: **14 Years**

(21) Appl. No.: **29/365,071**

(22) Filed: **Jul. 2, 2010**

(51) **LOC (9) Cl.** **08-08**

(52) **U.S. Cl.** **D8/382**

(58) **Field of Classification Search** D8/382,
D8/349; 248/200, 300
See application file for complete search history.

(56) **References Cited**

U.S. PATENT DOCUMENTS

D272,719	S	*	2/1984	Skjaeveland	D8/394
D276,978	S	*	1/1985	Fee	D8/382
D285,047	S	*	8/1986	Dean et al.	D8/382
D375,040	S	*	10/1996	Miyashita	D8/382
7,014,383	B2	*	3/2006	Schmid et al.	403/231
D547,642	S	*	7/2007	Urmson et al.	D8/382
D556,560	S	*	12/2007	Tsuda	D8/382
D563,776	S	*	3/2008	Dagg	D8/382
D573,873	S	*	7/2008	Wall	D8/354
D576,023	S	*	9/2008	Urmson et al.	D8/382
D580,260	S	*	11/2008	Collins et al.	D8/382

7,677,583	B2	*	3/2010	Armstrong et al.	280/163
2004/0262468	A1	*	12/2004	Weyandt	248/200
2005/0040301	A1	*	2/2005	Walter	248/200

* cited by examiner

Primary Examiner — Holly H Baynham

Assistant Examiner — Sheryl Lane

(74) *Attorney, Agent, or Firm* — The Webb Law Firm

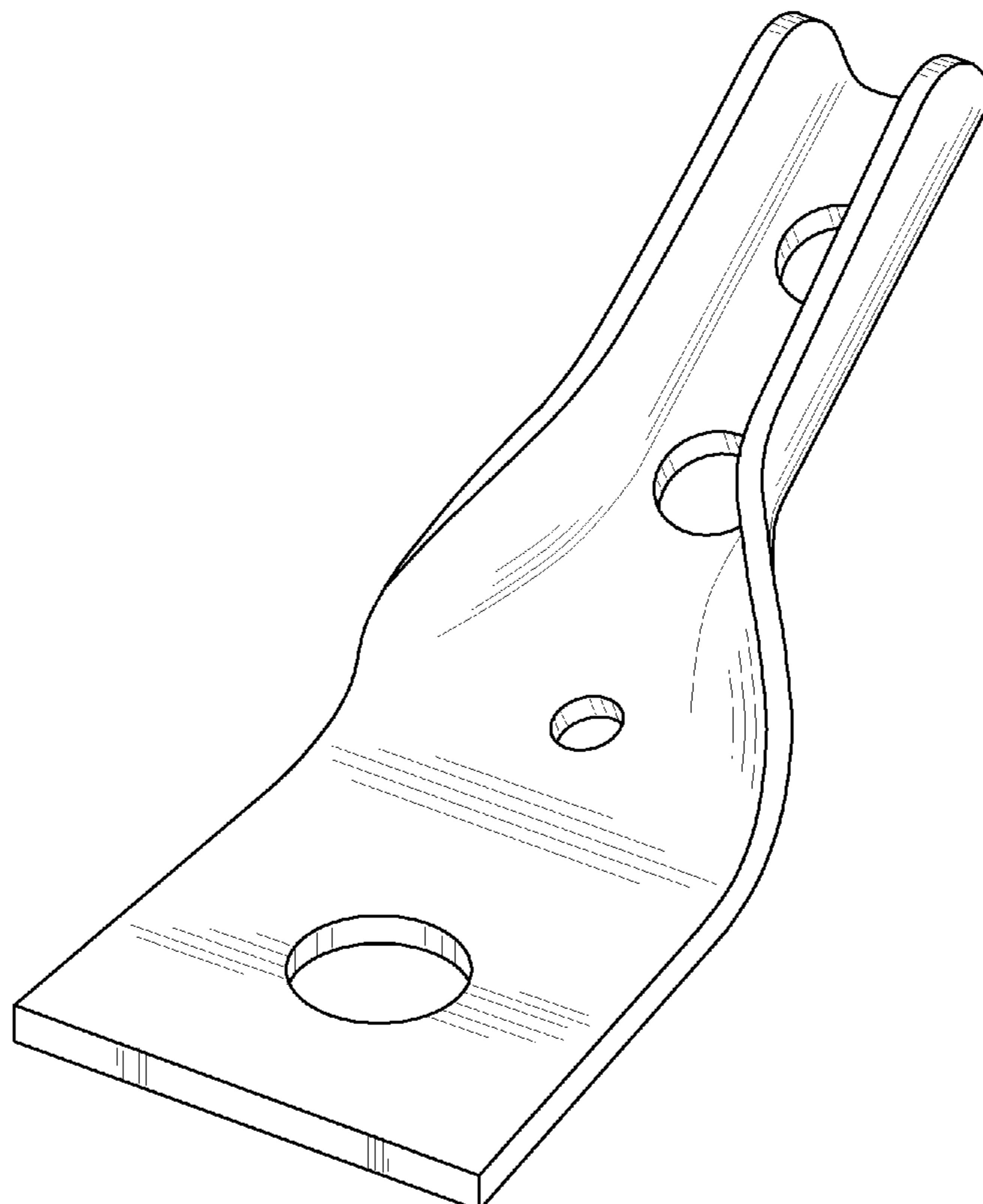
(57) **CLAIM**

The ornamental design for an attaching buckle for coated wire, as shown and described.

DESCRIPTION

FIG. 1 is a perspective view of an attaching buckle for coated wire showing my new design; FIG. 2 is a top view thereof; FIG. 3 is a bottom view thereof; FIG. 4 is a front view thereof; FIG. 5 is a rear view thereof; FIG. 6 is a right side view thereof; FIG. 7 is left side view thereof; and, FIG. 8 is a perspective view thereof, the buckle being secured to a grommet and a coated wire. The grommet and coated wire shown in broken lines in FIG. 8 are included for environmental purposes only, and form no part of the claimed design.

1 Claim, 5 Drawing Sheets



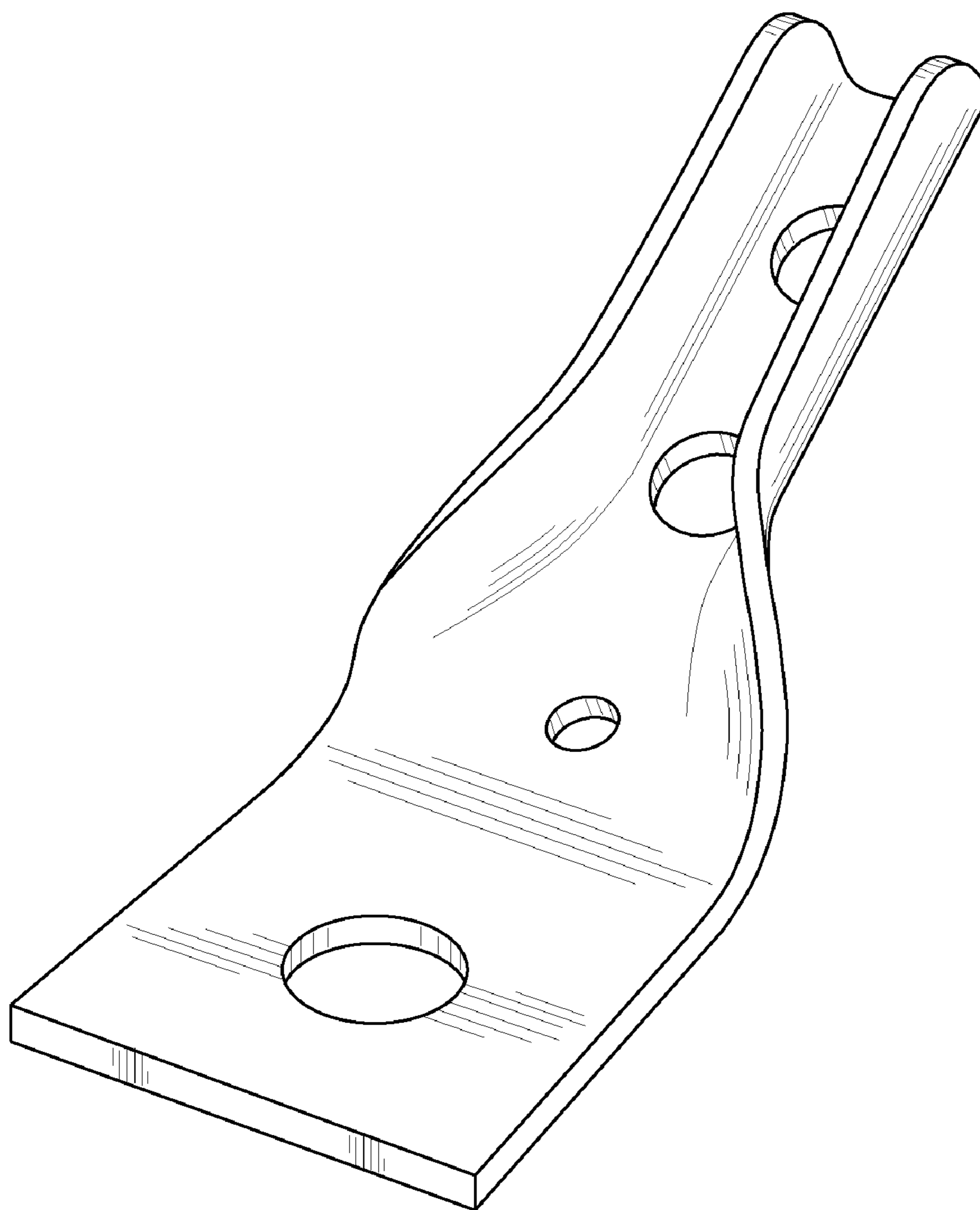


FIG. 1

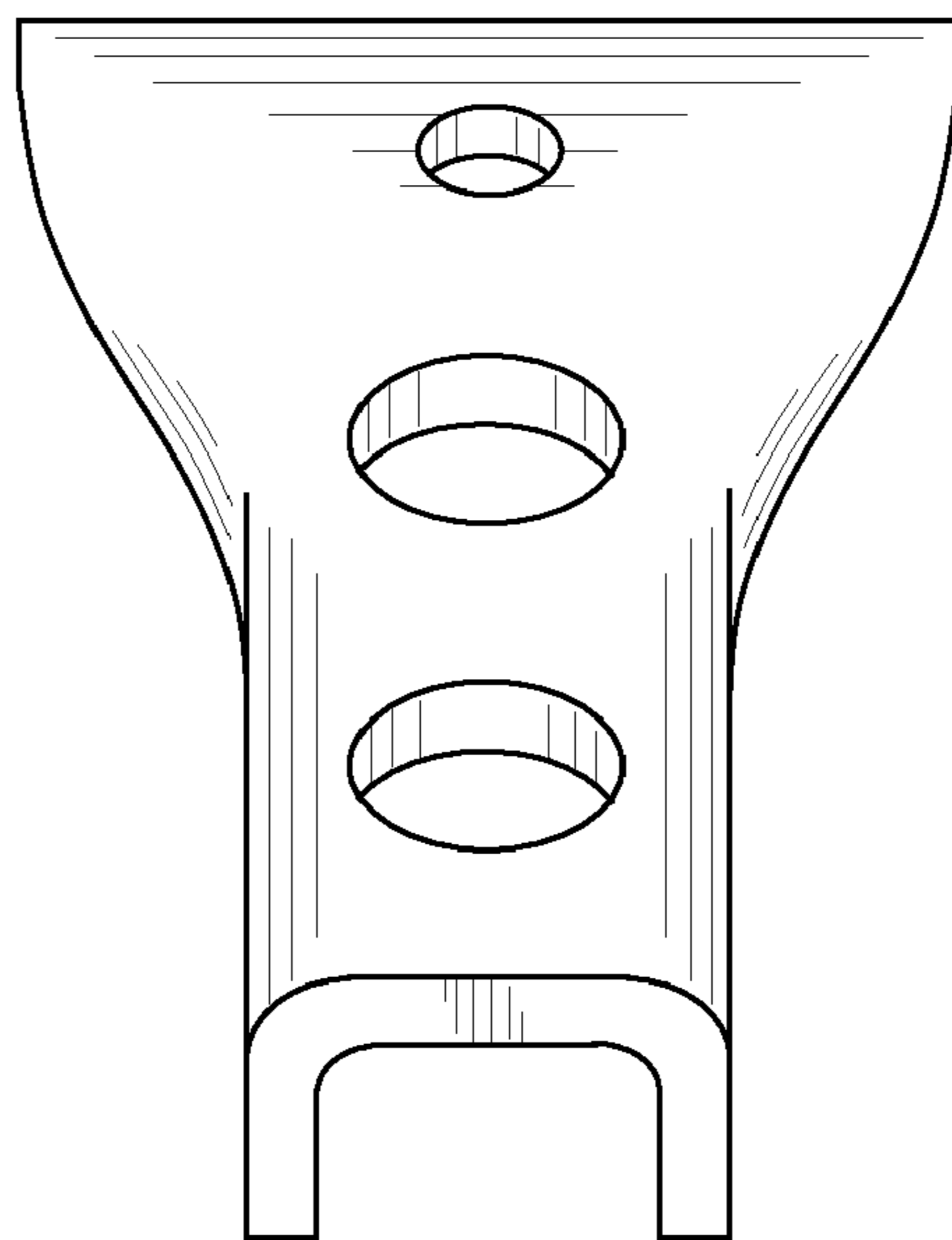


FIG. 2

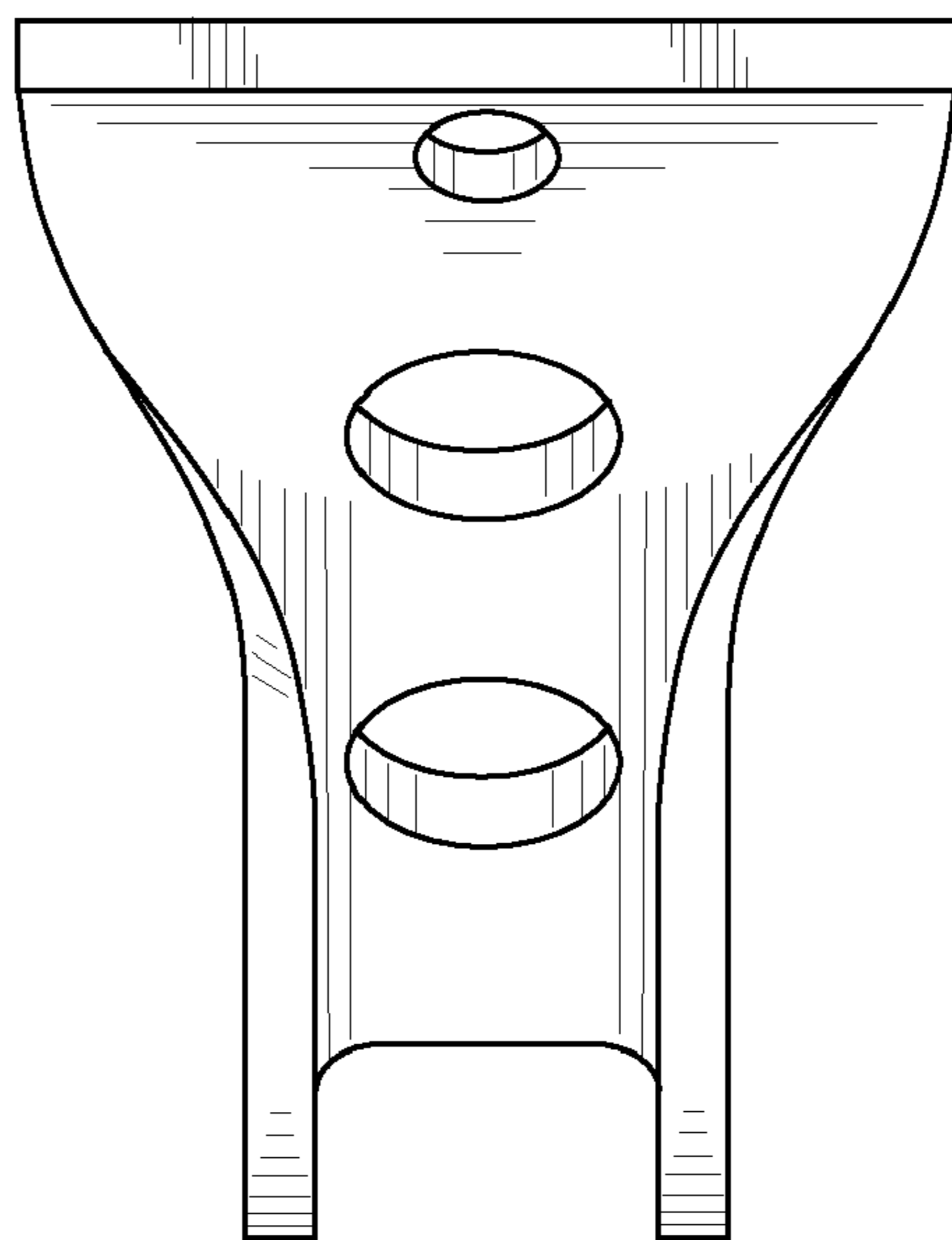


FIG. 3

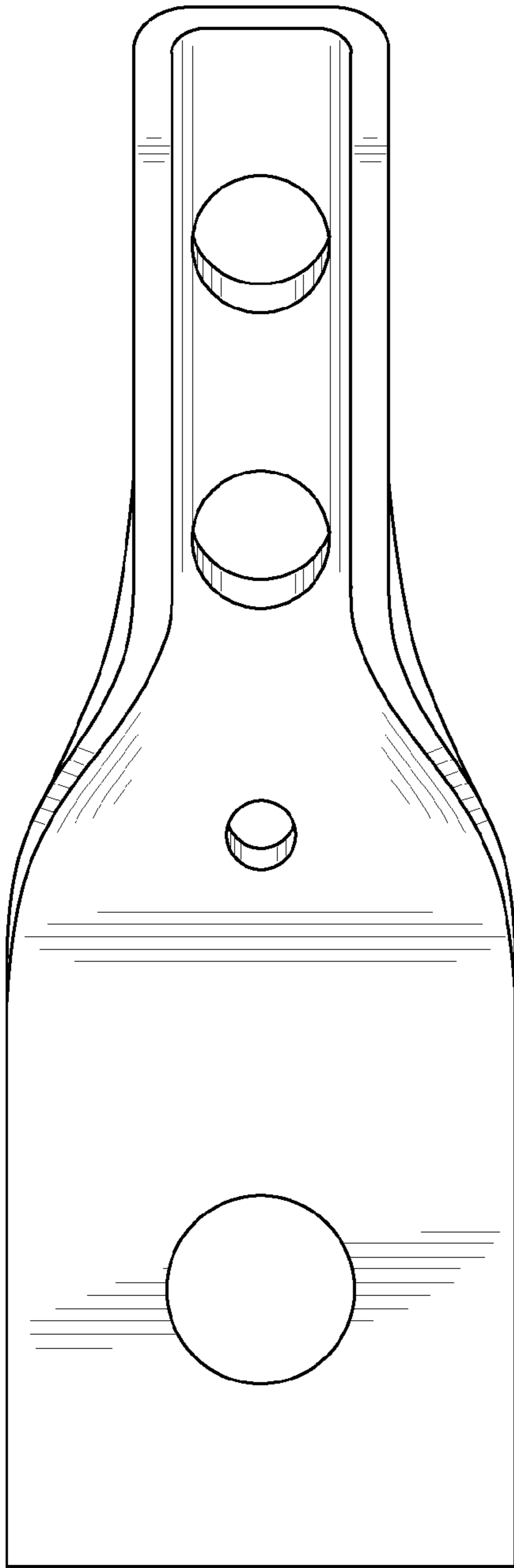


FIG. 4

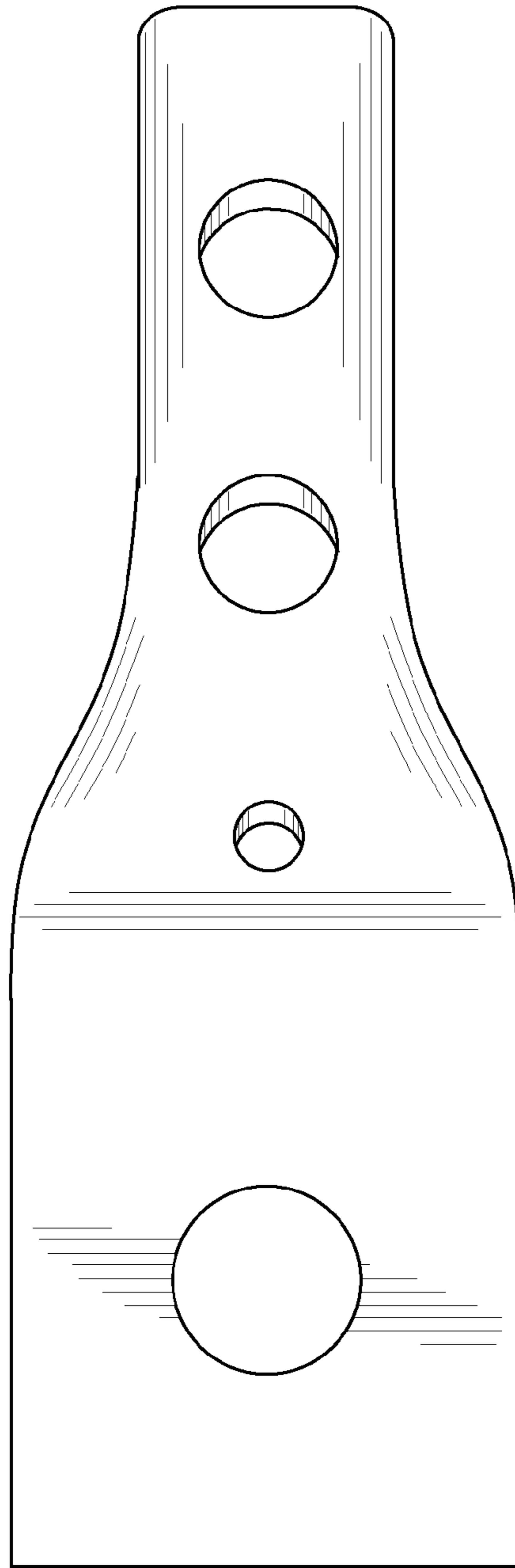


FIG. 5

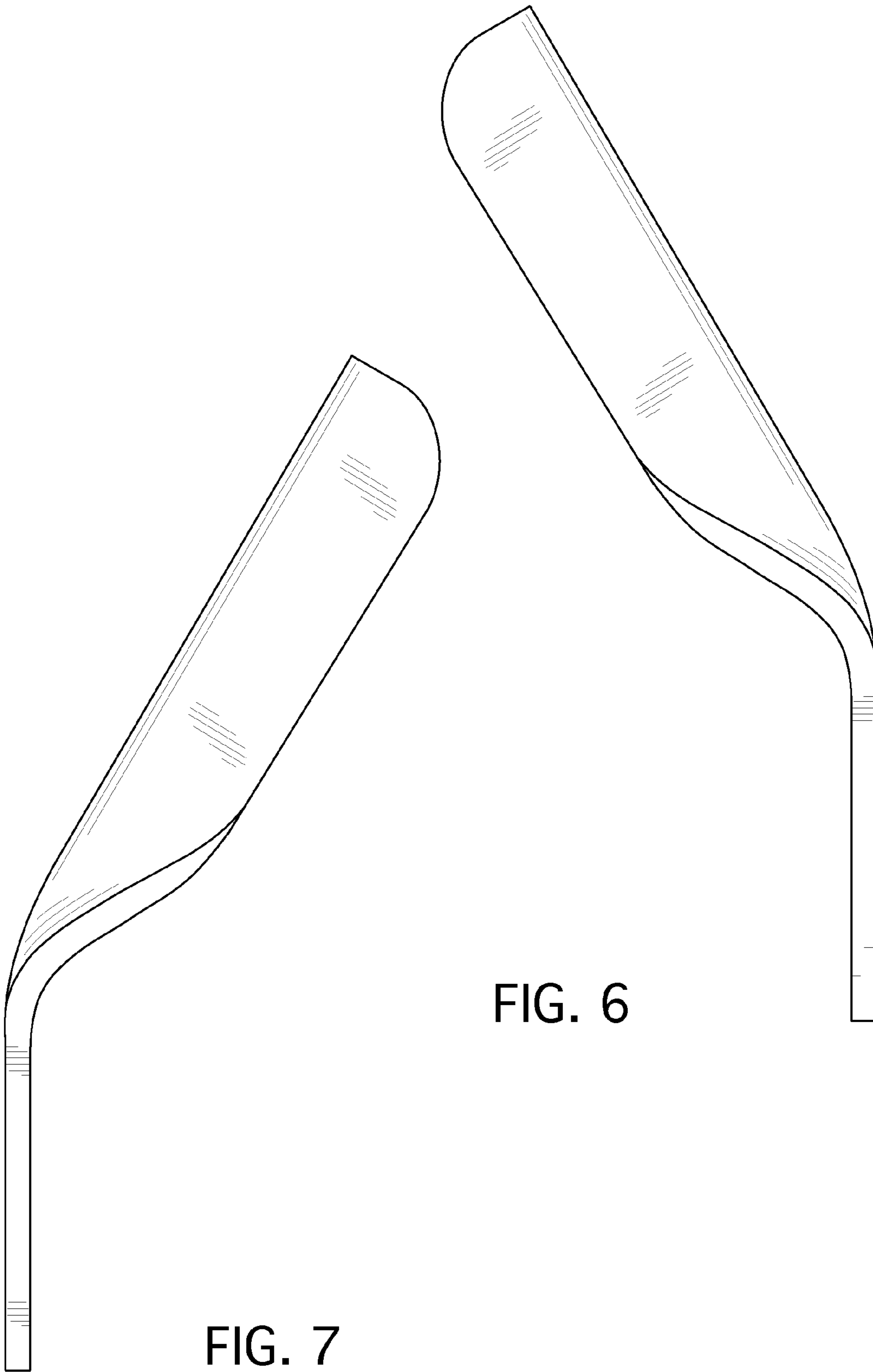


FIG. 6

FIG. 7

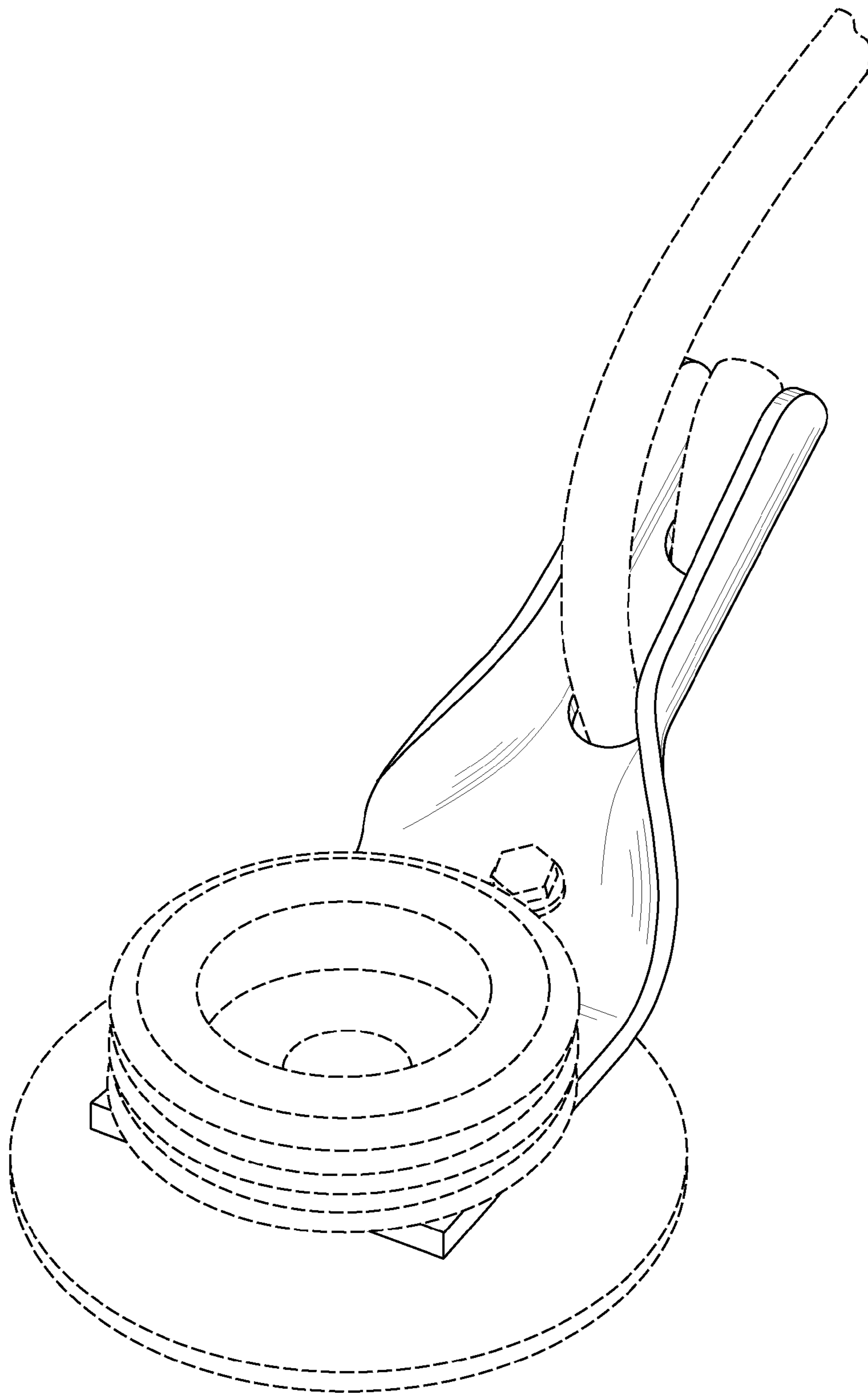


FIG. 8