



US00D637069S

(12) **United States Design Patent**
Venne

(10) **Patent No.:** **US D637,069 S**

(45) **Date of Patent:** **** May 3, 2011**

(54) **CASTER**

(75) **Inventor:** **Winfried Venne**, Wuppertal (DE)

(73) **Assignee:** **TENTE GmbH & Co. KG**,
Wermelskirchen (DE)

(**) **Term:** **14 Years**

(21) **Appl. No.:** **29/349,195**

(22) **Filed:** **Mar. 16, 2010**

(51) **LOC (9) Cl.** **08-05**

(52) **U.S. Cl.** **D8/375**

(58) **Field of Classification Search** D12/207,
D12/208, 209, 501; D8/375; 16/18 CG,
16/31 R, 22, 29, 18 R, 45, 46, 47; D3/318;
D34/27

See application file for complete search history.

(56) **References Cited**

U.S. PATENT DOCUMENTS

D319,384	S	*	8/1991	Lange	D8/375
D456,697	S	*	5/2002	Holbrook	D8/375
D573,452	S	*	7/2008	Graffunder et al.	D8/375
7,506,404	B2	*	3/2009	Block et al.	16/18 R
D603,690	S	*	11/2009	Rhein et al.	D8/375

* cited by examiner

Primary Examiner — Susan Bennett Hattan

(74) *Attorney, Agent, or Firm* — Collard & Roe, P.C.

(57) **CLAIM**

The ornamental design for a caster, as shown and described.

DESCRIPTION

FIG. 1 is a front, side and top perspective view of a caster showing my new design;
FIG. 2 is a side view thereof;
FIG. 3 is a front view thereof;
FIG. 4 is an opposite side view thereof;
FIG. 5 is a rear view thereof;
FIG. 6 is a top view thereof; and,
FIG. 7 is a bottom view thereof.

1 Claim, 7 Drawing Sheets

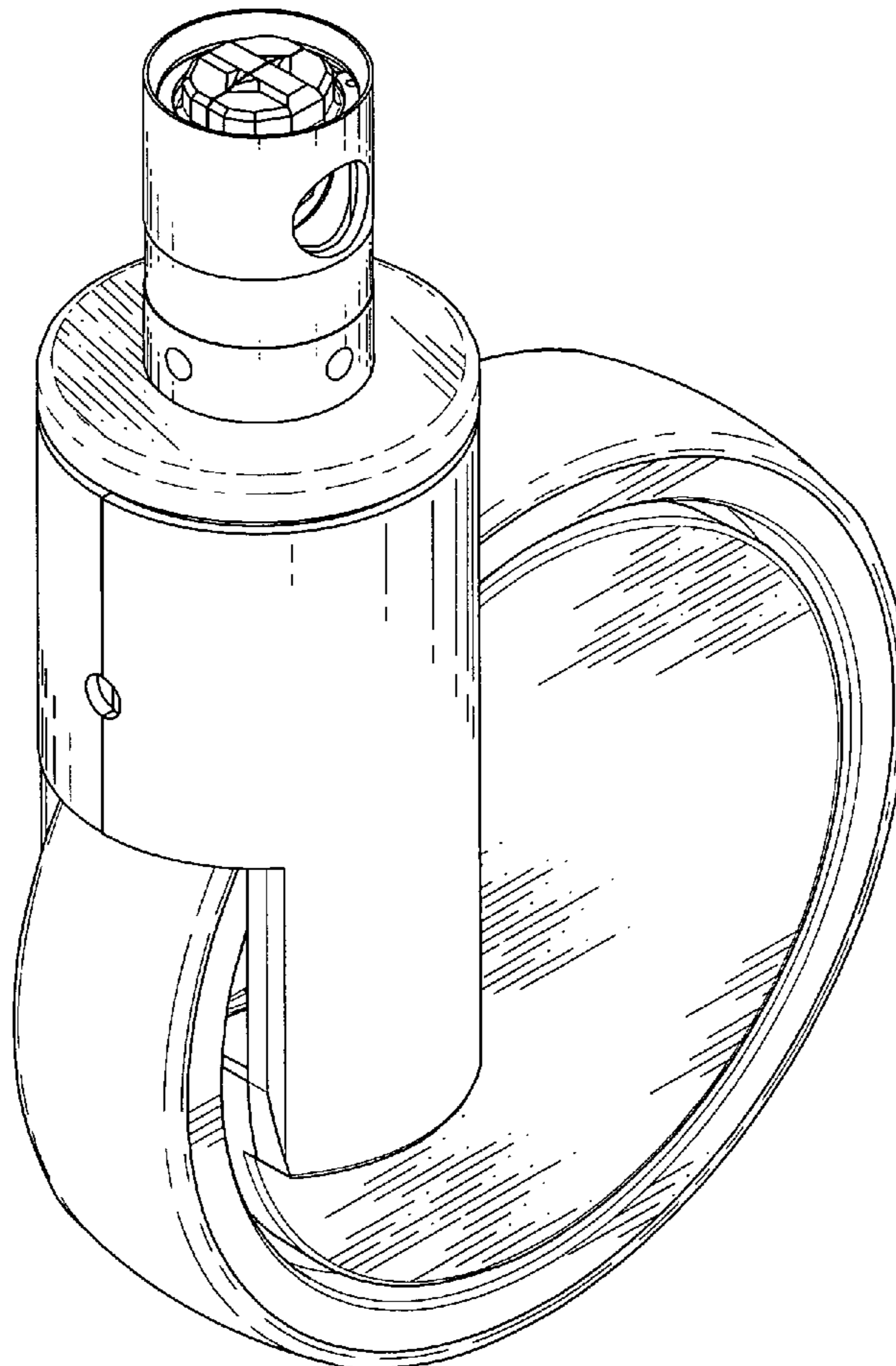


Fig. 1

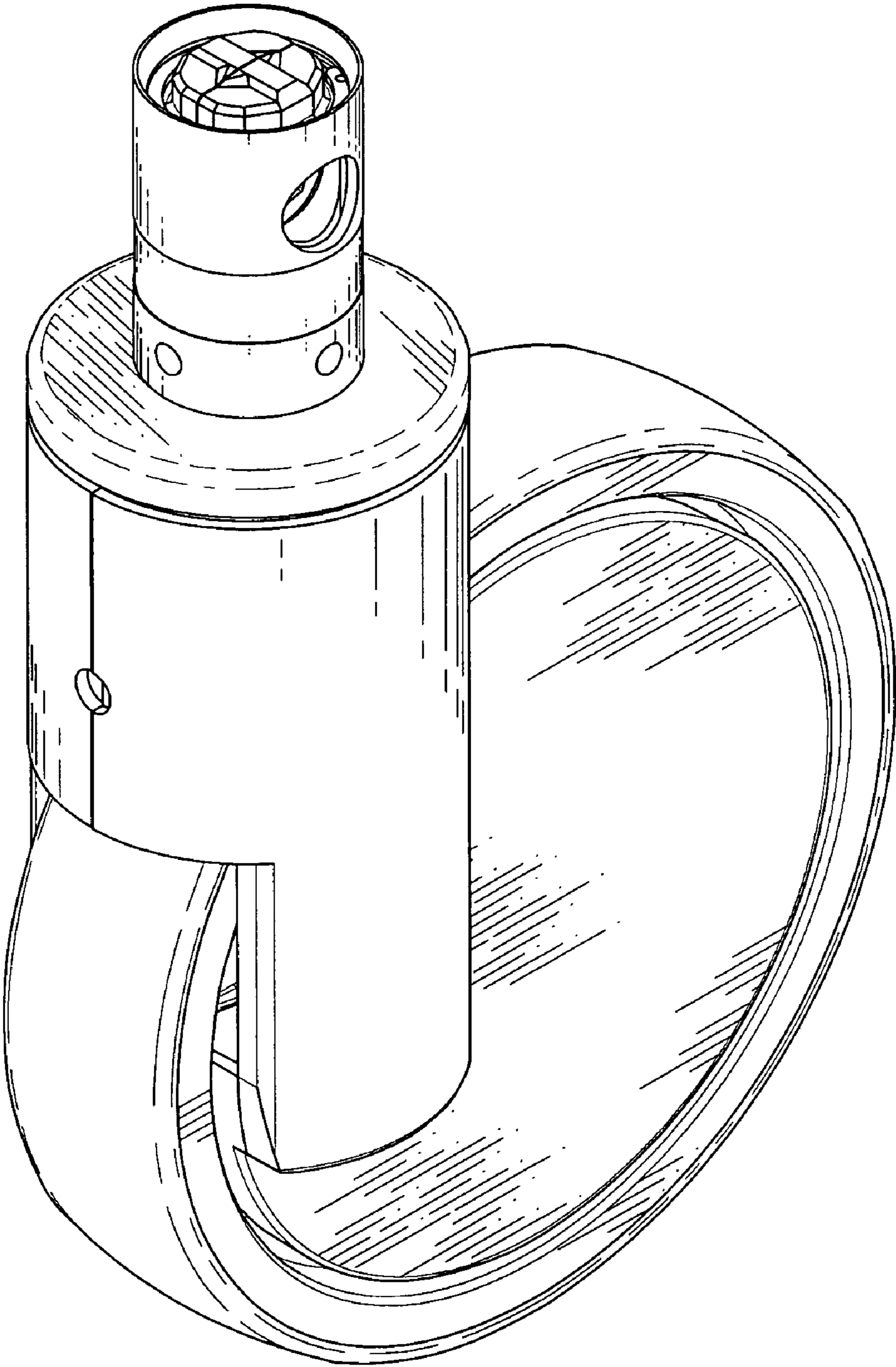


Fig. 2

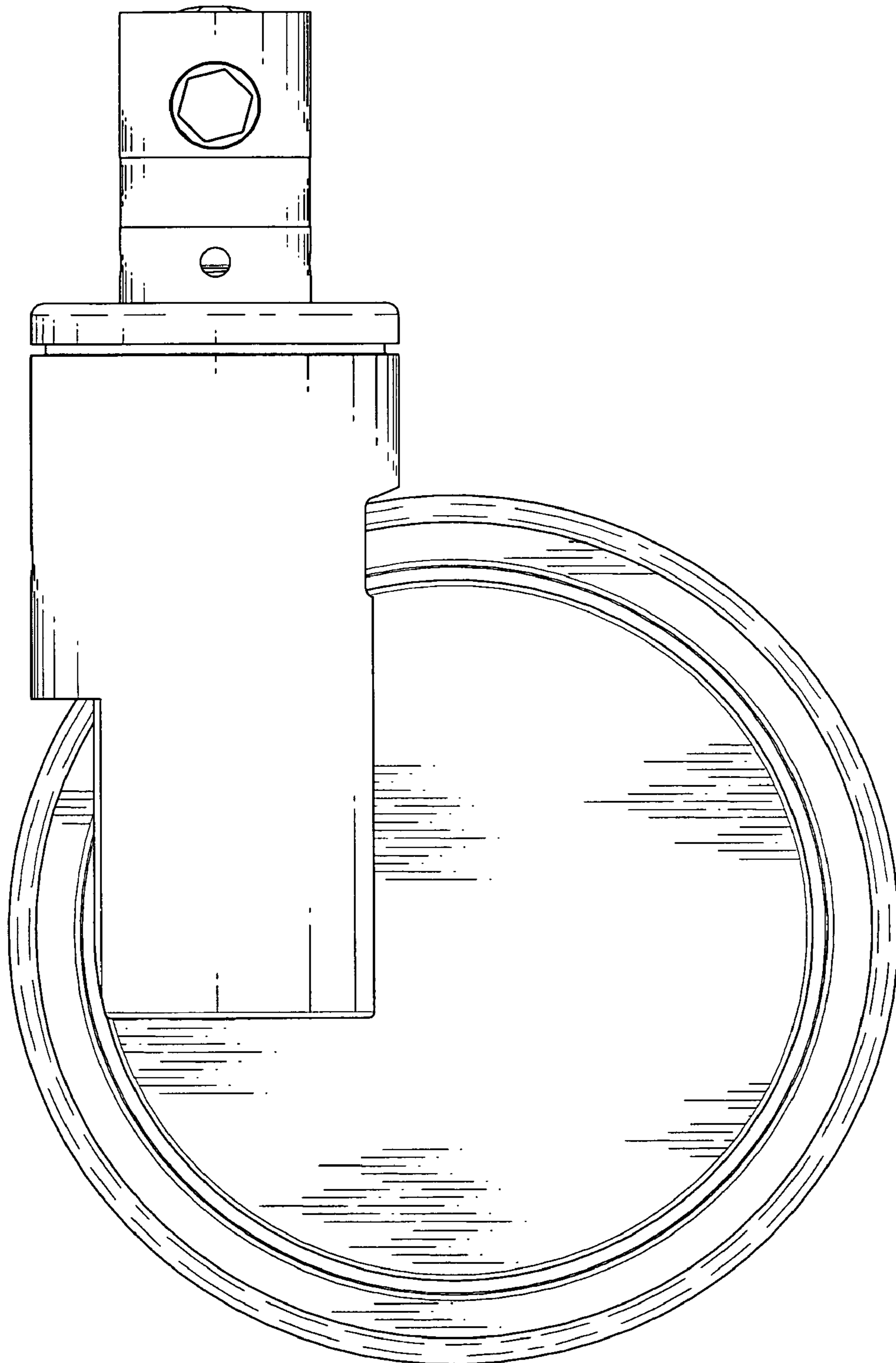


Fig. 3

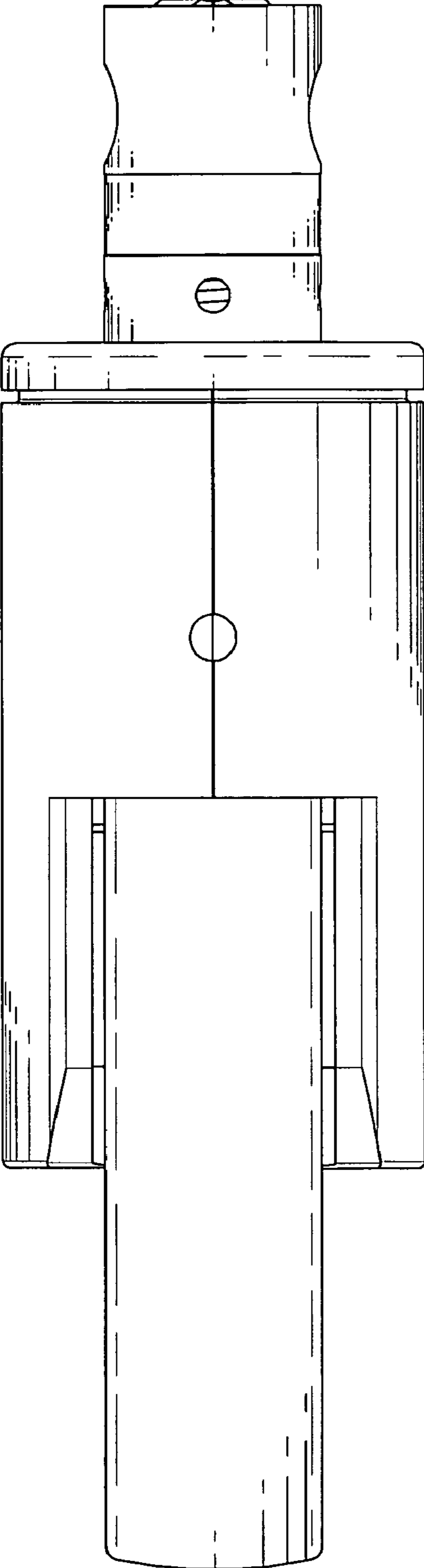


Fig. 4

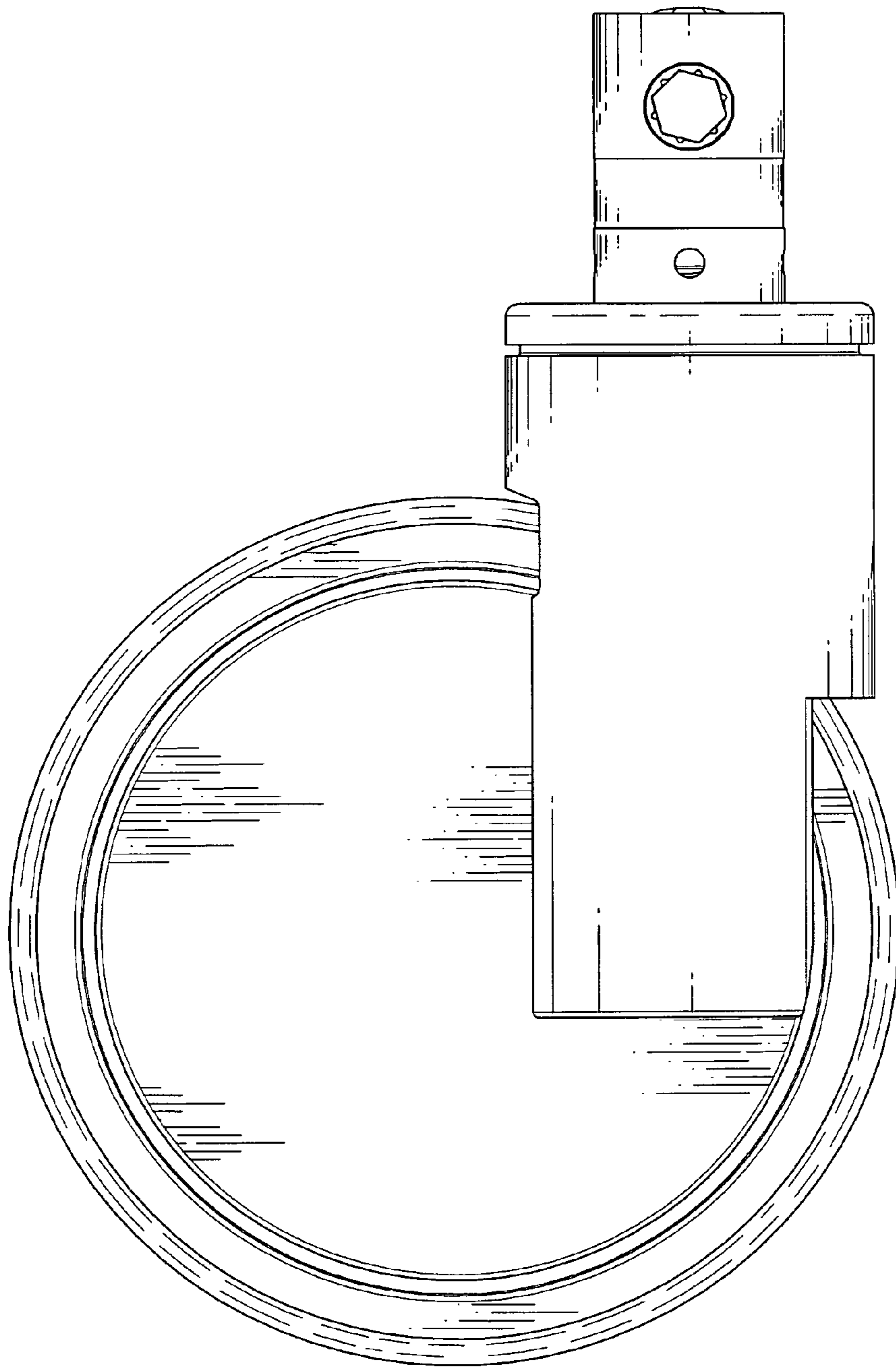


Fig. 5

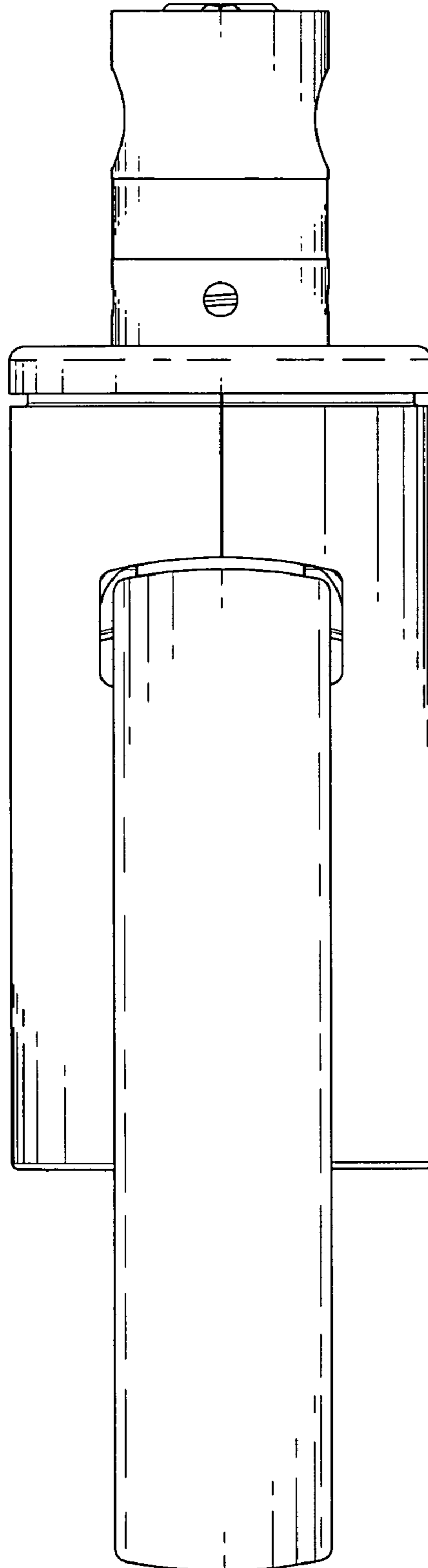


Fig. 6

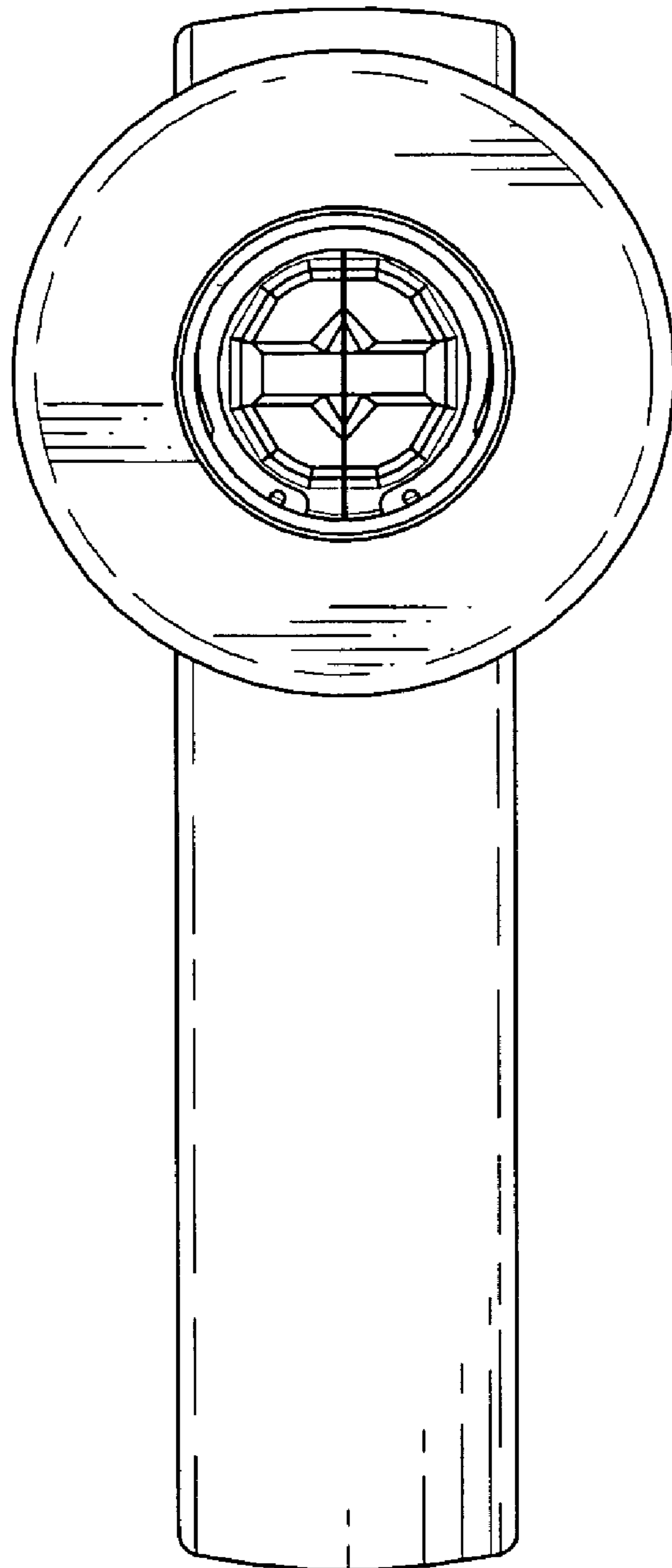


Fig. 7

