



US00D637062S

(12) **United States Design Patent**
Plato

(10) **Patent No.:** **US D637,062 S**

(45) **Date of Patent:** **** May 3, 2011**

(54) **LOCK**

(75) **Inventor:** **Lea Marie Plato**, Milwaukee, WI (US)

(73) **Assignee:** **Master Lock Company LLC**, Oak Creek, WI (US)

(**) **Term:** **14 Years**

(21) **Appl. No.:** **29/366,092**

(22) **Filed:** **Jul. 20, 2010**

(51) **LOC (9) Cl.** **08-07**

(52) **U.S. Cl.** **D8/334**

(58) **Field of Classification Search** D8/330-347;
70/14, 20-28, 31, 32, 39, 41, 52-56, 86,
70/314, 423, DIG. 43, DIG. 56, 38 A, DIG. 3,
70/DIG. 4

See application file for complete search history.

(56) **References Cited**

U.S. PATENT DOCUMENTS

548,757	A	10/1895	Kellogg	
1,239,010	A	9/1917	Hodges	
1,415,327	A	5/1922	Fonos	
1,866,273	A	7/1932	Sinner	
1,902,214	A	3/1933	Buettner et al.	
2,132,201	A	10/1938	Allman	
3,952,559	A *	4/1976	Atkinson	70/25
4,224,813	A	9/1980	Hampton	
D276,408	S	11/1984	Zabel et al.	
5,572,890	A *	11/1996	Carpenter	70/371
D397,026	S	8/1998	Drake	
D416,467	S	11/1999	Castellanos et al.	
D426,763	S	6/2000	Adler et al.	
D427,884	S	7/2000	Castellanos et al.	
D433,314	S	11/2000	Mimlitch et al.	
D435,428	S *	12/2000	Ling	D8/333
D455,639	S	4/2002	McDaid et al.	
D476,216	S	6/2003	Vito	
6,718,803	B2 *	4/2004	Knoll	70/26

D512,901	S	12/2005	Haber	
6,993,943	B1	2/2006	Chang	
7,047,772	B2 *	5/2006	Yu	70/21
D528,401	S	9/2006	Ruan	
D533,764	S	12/2006	Heppner	
D537,703	S	3/2007	Kearns et al.	
D541,228	S	4/2007	Thursfield	
D541,630	S	5/2007	Blomstrom et al.	
D545,177	S	6/2007	Vito	
D549,552	S *	8/2007	Huang	D8/333
D567,628	S *	4/2008	Rohde et al.	D8/333
D569,226	S	5/2008	Brewster et al.	
D582,251	S *	12/2008	Mackey et al.	D8/334
D594,731	S *	6/2009	Plato	D8/334
D605,494	S	12/2009	Plato	
D629,280	S *	12/2010	Plato	D8/334

* cited by examiner

Primary Examiner — Prabhakar Deshmukh

(74) *Attorney, Agent, or Firm* — Calfee, Halter & Griswold LLP

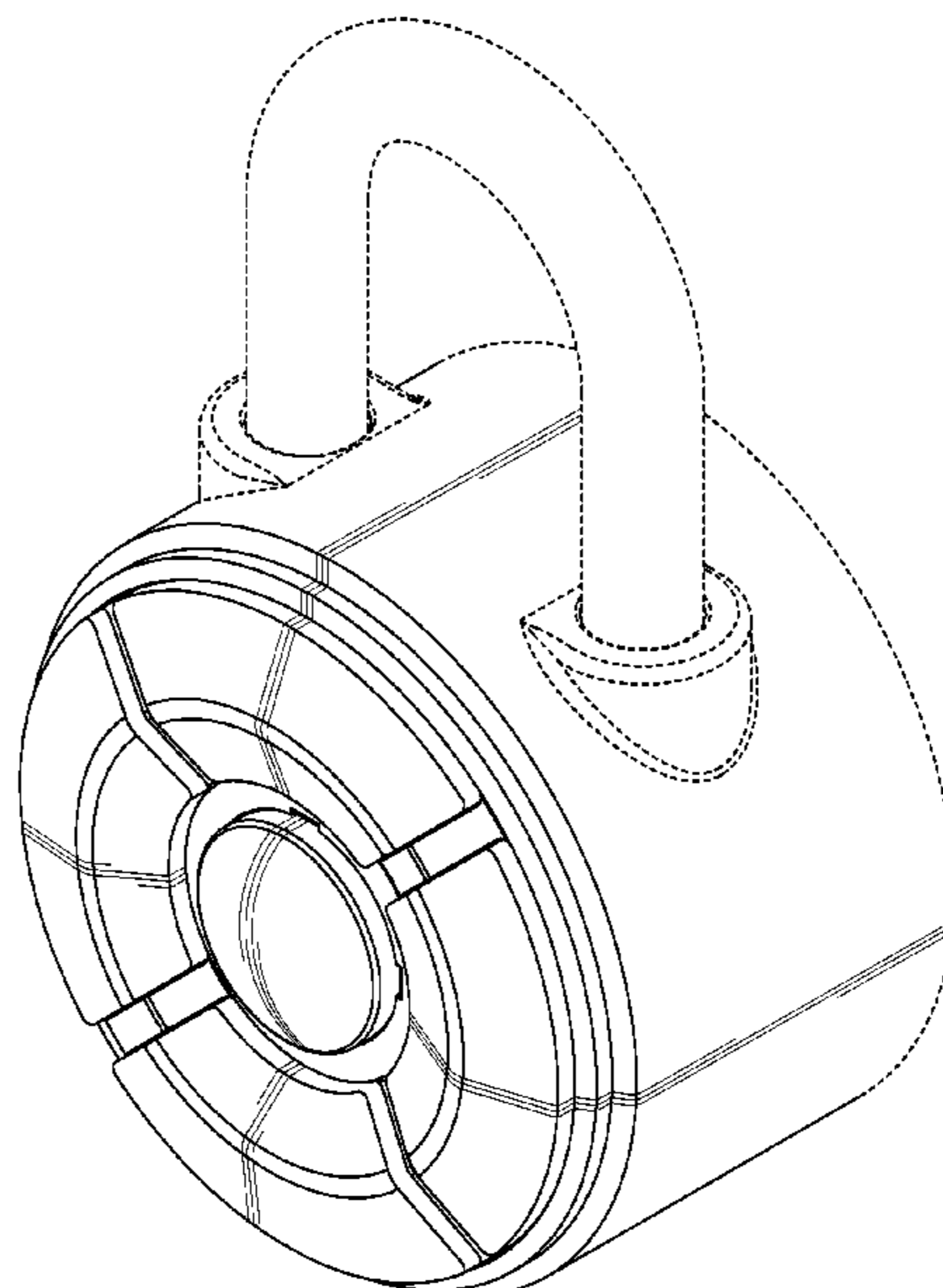
(57) **CLAIM**

I claim the ornamental design for a lock, as shown and described.

DESCRIPTION

FIG. 1 is a perspective view of a lock showing my new design; FIG. 2 is a top plan view thereof; FIG. 3 is a front elevational view thereof; FIG. 4 is a bottom plan view thereof; FIG. 5 is a rear elevational view thereof; FIG. 6 is a left side elevational view thereof; and, FIG. 7 is a right side elevational view thereof. The broken lines immediately adjacent to the shaded areas represent the boundaries of the claimed design. Other broken lines represent the portions of the design form no part of the claimed design. None of the broken lines form part of the claimed design.

1 Claim, 4 Drawing Sheets



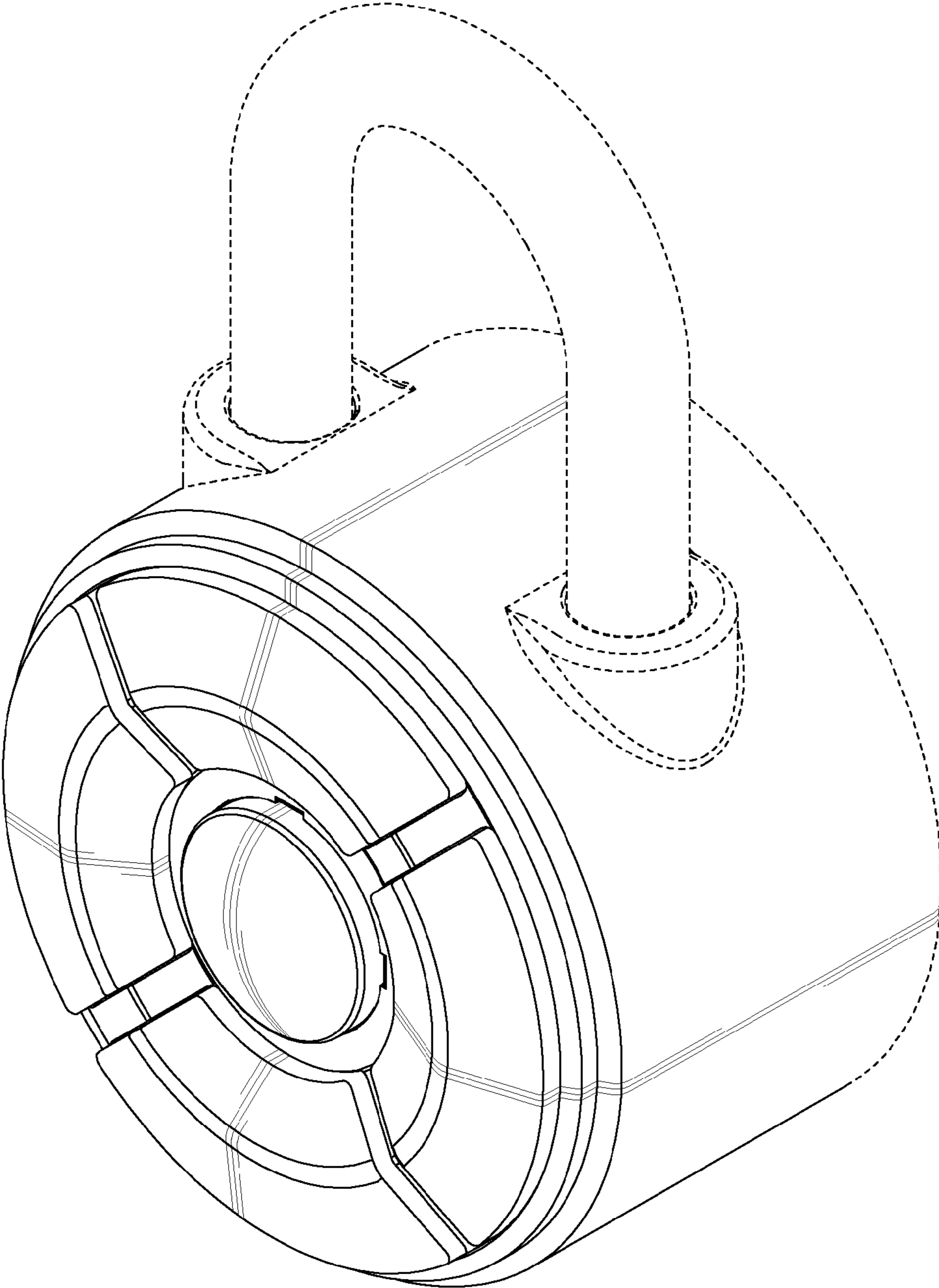


FIG. 1

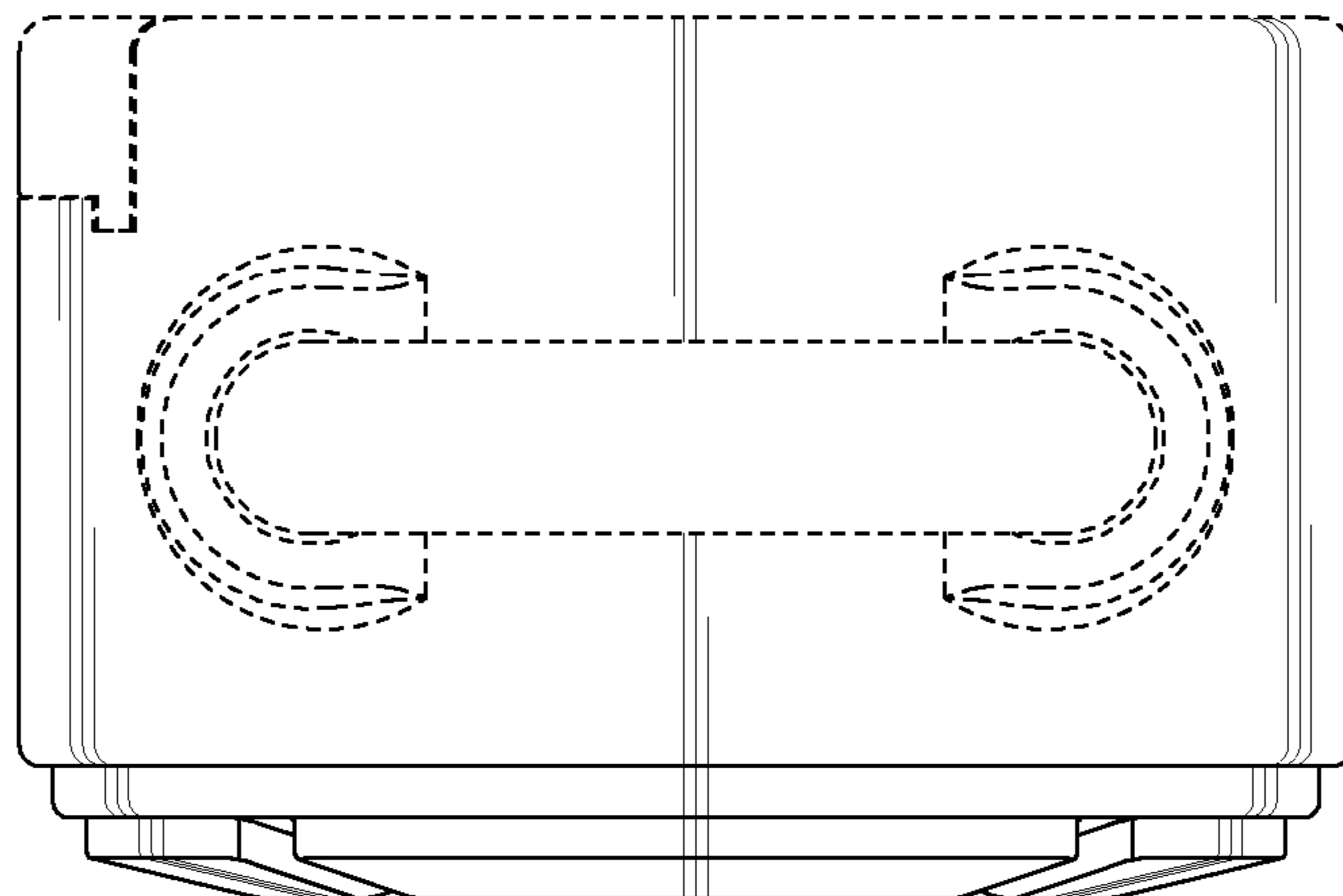


FIG. 2

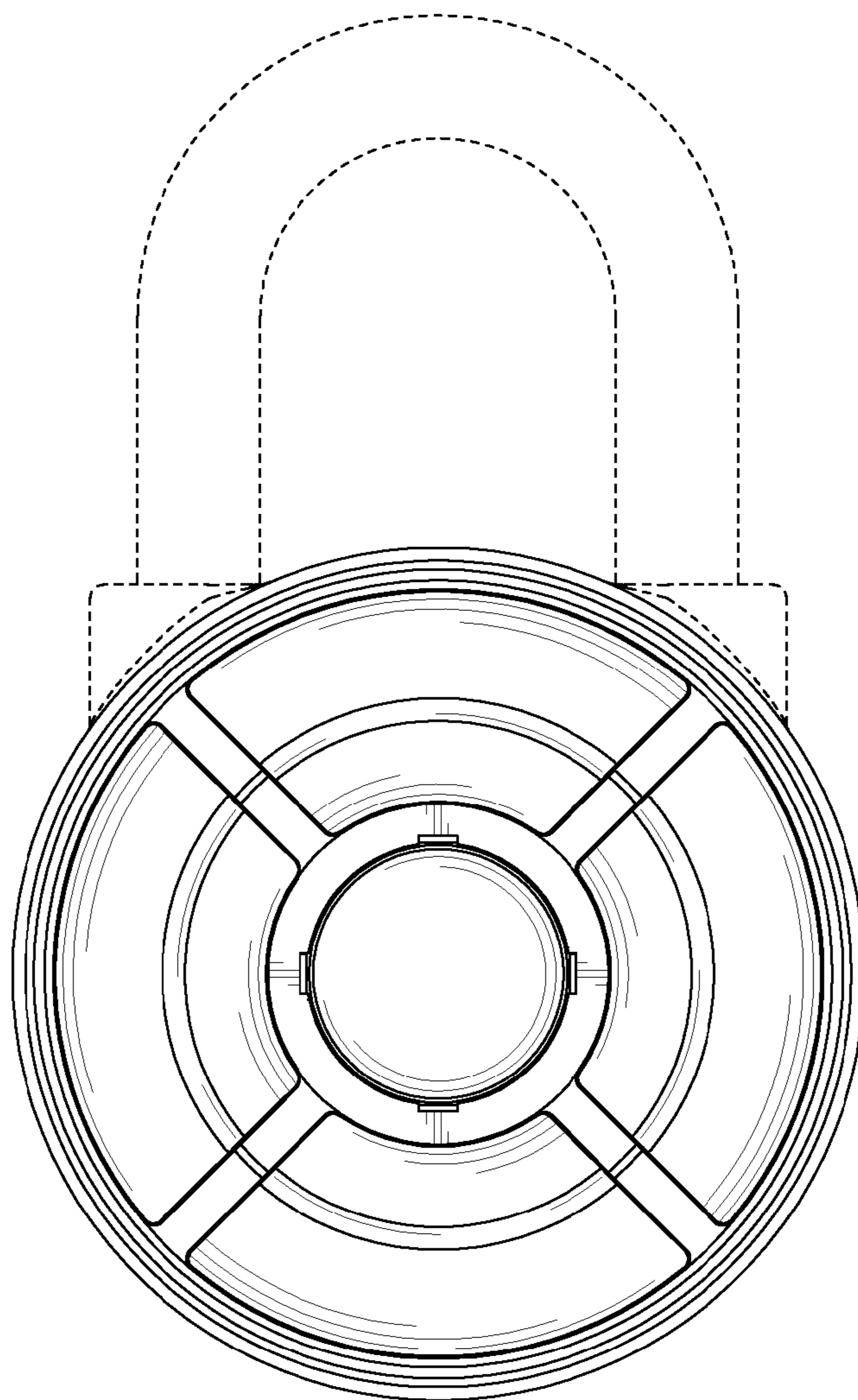


FIG. 3

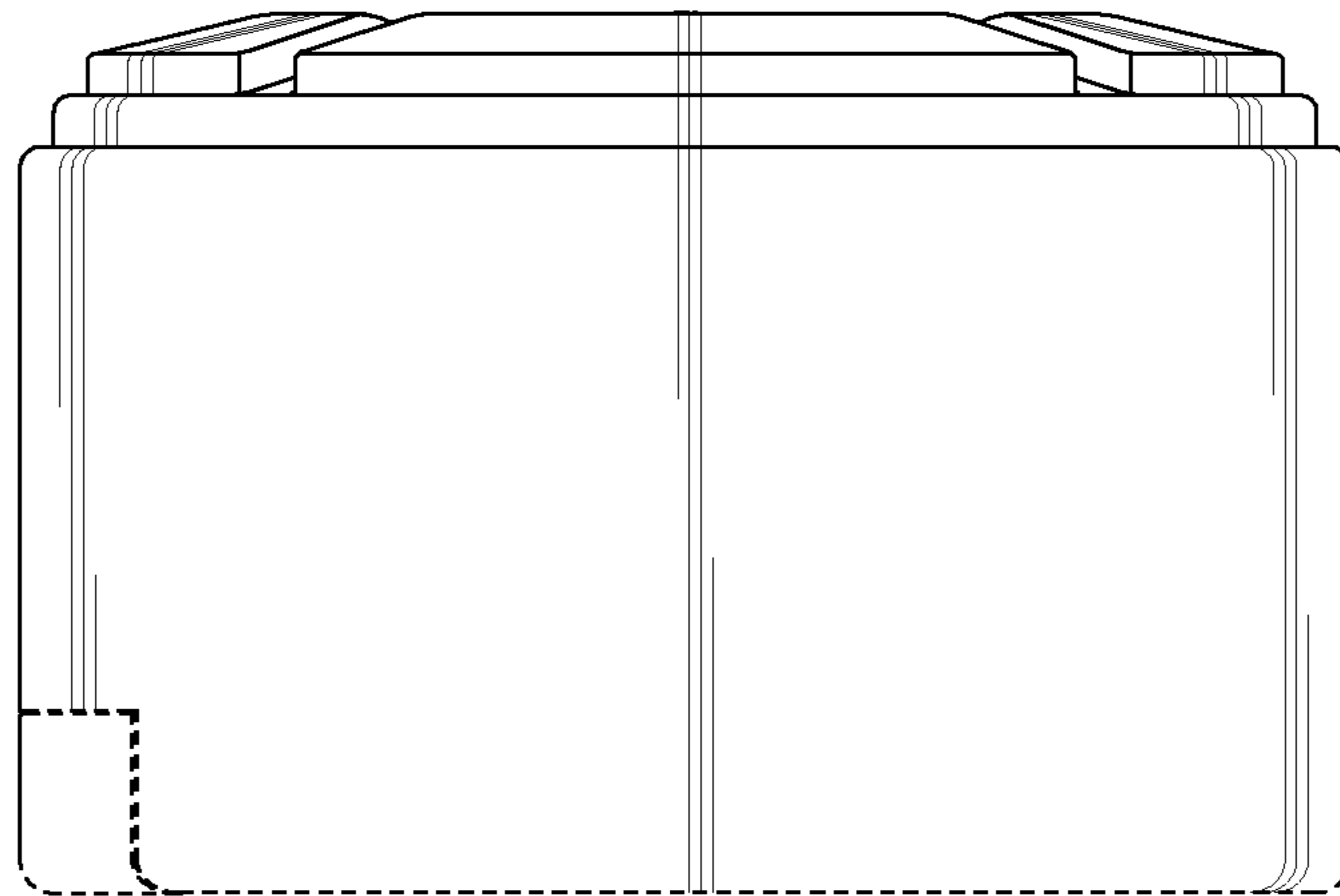


FIG. 4

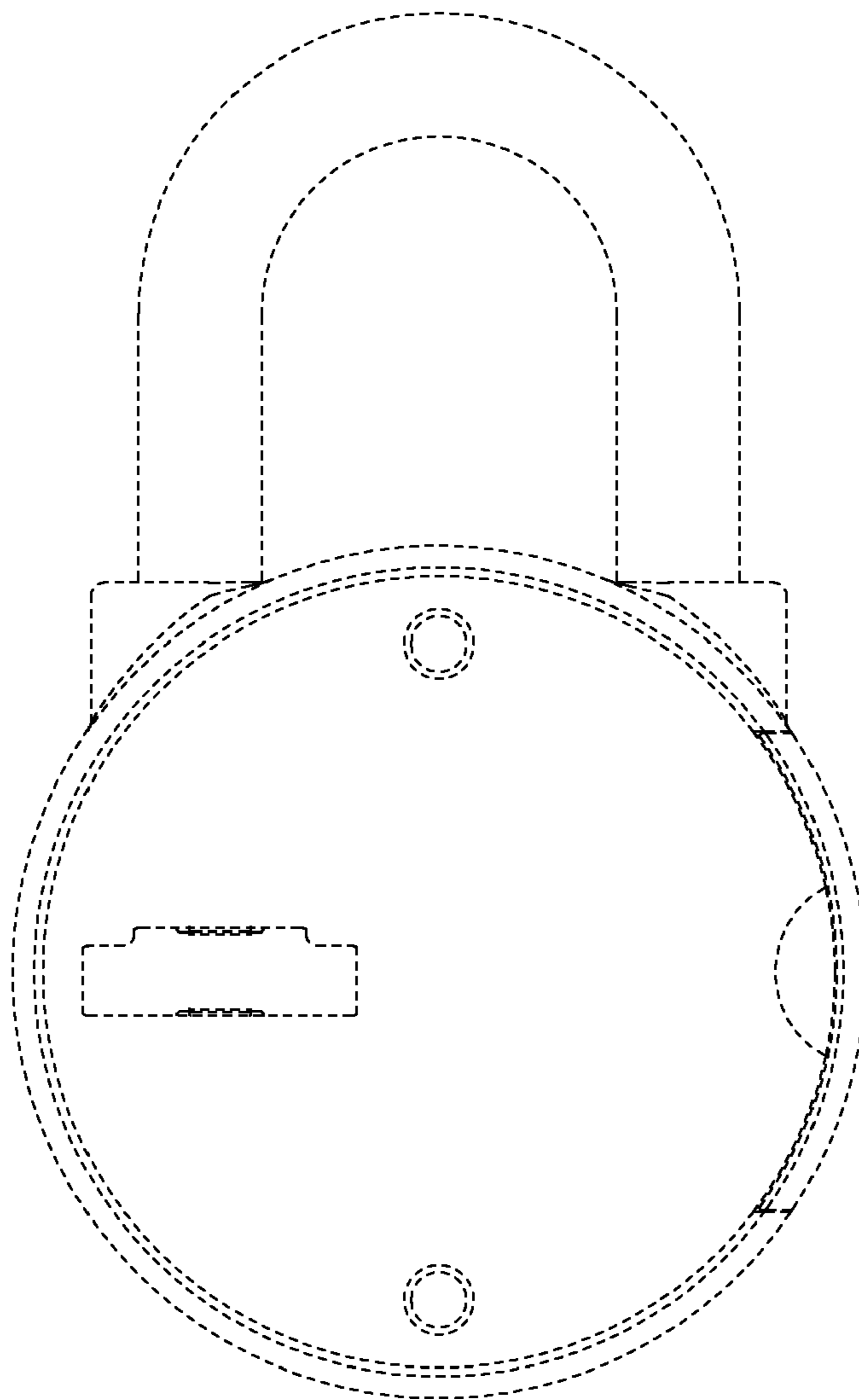


FIG. 5

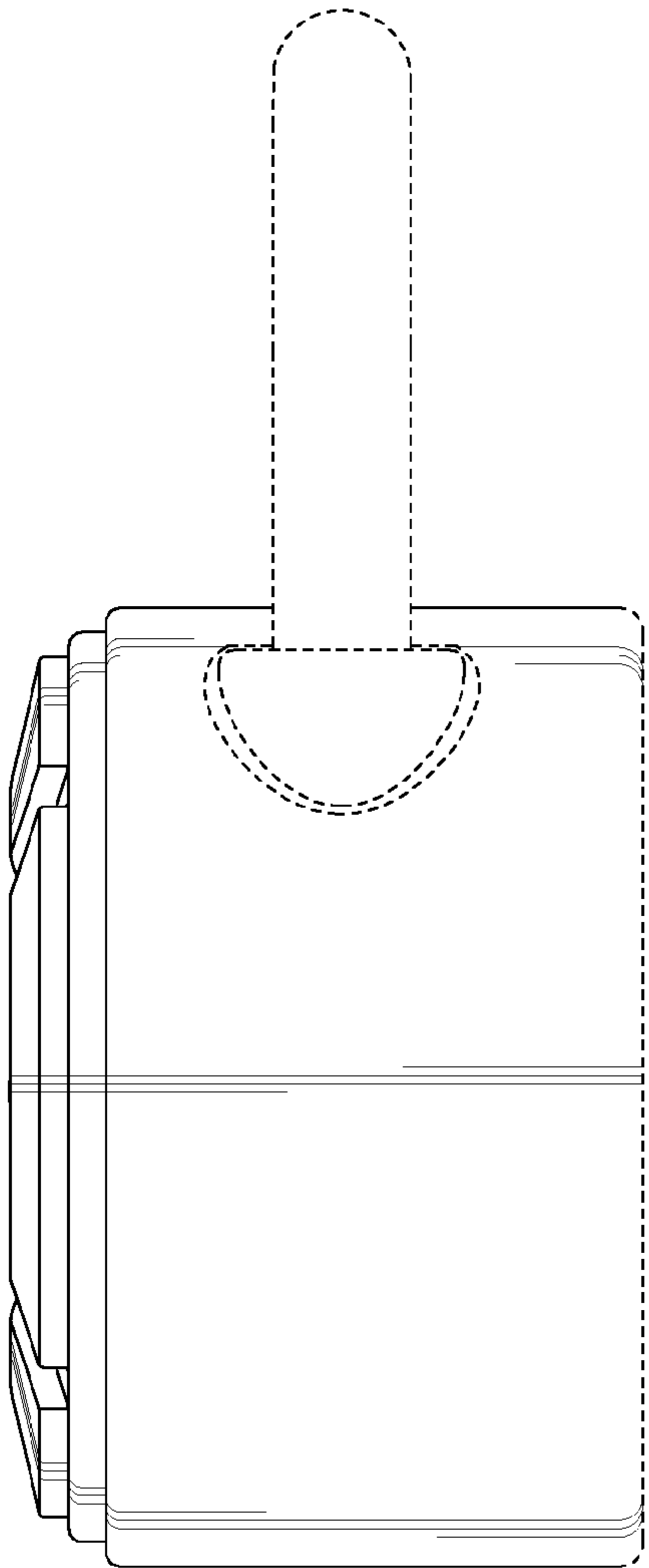


FIG. 6

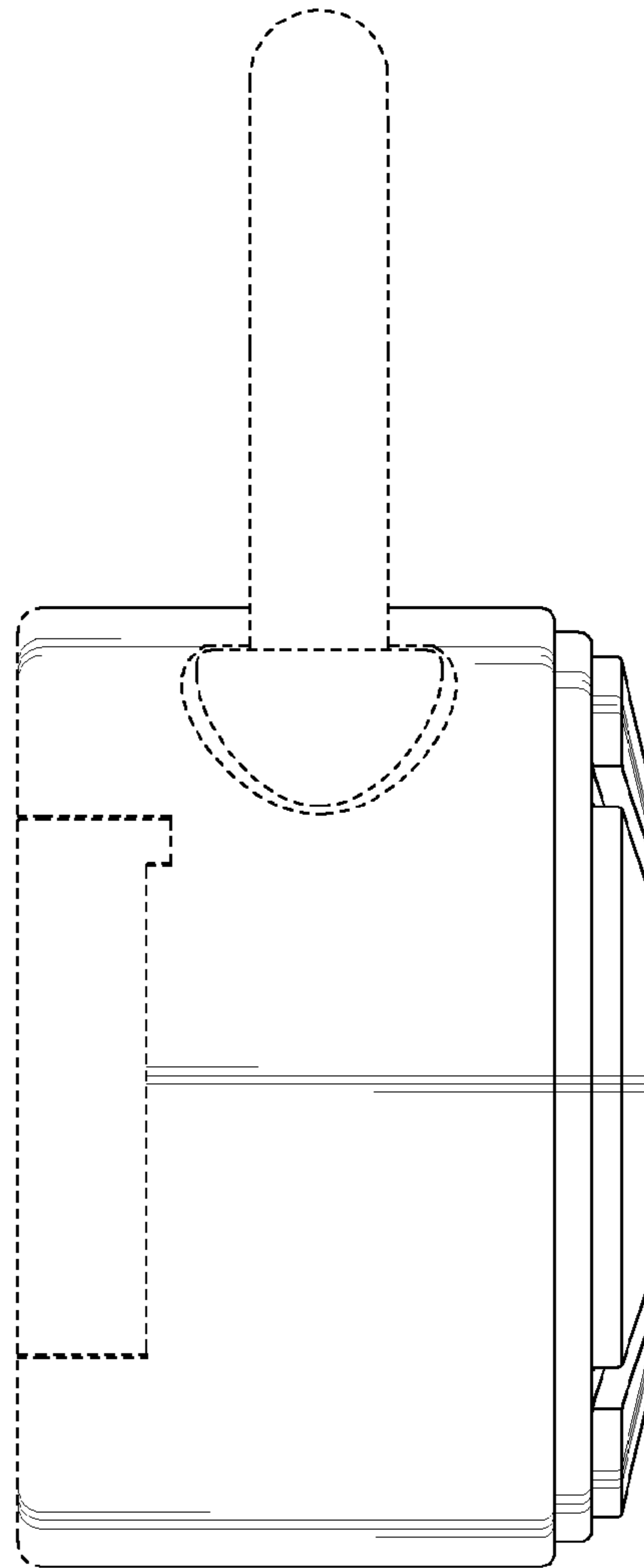


FIG. 7