



US00D637061S

(12) **United States Design Patent**
Mitchell et al.

(10) **Patent No.:** **US D637,061 S**

(45) **Date of Patent:** **** May 3, 2011**

(54) **DOOR LATCH**

(75) Inventors: **Brett A Mitchell**, Newnan, GA (US);
Thomas A. Thorsen, Wedowee, AL
(US)

(73) Assignee: **Kason Industries, Inc.**, Shenandoah,
GA (US)

(**) Term: **14 Years**

(21) Appl. No.: **29/378,448**

(22) Filed: **Nov. 4, 2010**

(51) **LOC (9) Cl.** **08-07**

(52) **U.S. Cl.** **D8/331; D8/330; D8/339**

(58) **Field of Classification Search** D8/330,
D8/331, 339, 342, 343, 349, 380, 383, 200,
D8/212; D3/215, 327; 70/141, 142, 237,
70/261, 258; 292/358, 359; 24/305, 308,
24/315, 335, 165, 160, 629, 532

See application file for complete search history.

(56) **References Cited**

U.S. PATENT DOCUMENTS

D180,515 S	6/1957	Graves et al.	
2,854,268 A	9/1958	Graves et al.	
4,530,532 A	7/1985	Fujiya	
4,606,552 A *	8/1986	Hultqvist	280/801.1
D316,509 S	4/1991	Nolte	
D334,009 S *	3/1993	Irving et al.	D8/331
D338,389 S	8/1993	Finkelstein et al.	
D391,141 S	2/1998	Finkelstein et al.	
5,926,927 A *	7/1999	Winkler	24/593.1
6,061,883 A *	5/2000	Uehara	24/625
D429,618 S *	8/2000	Tieu	D8/331

D432,897 S *	10/2000	Spangler	D8/331
D498,407 S *	11/2004	Layton	D8/331
D505,058 S *	5/2005	Sykes	D8/331
D587,093 S *	2/2009	Fonk et al.	D8/330
D595,183 S *	6/2009	Nelson et al.	D11/212
D620,341 S *	7/2010	Rechberg et al.	D8/339

OTHER PUBLICATIONS

Kason Industries, Inc. Walk-In Hardware Catalog downloaded from <http://www.kasonind.com/index.php/catalogs/>; 2009 Copyright; pp. B-4 through B-27.

Component Hardware Group, Inc. Walk-In Refrigeration Components Catalog downloaded from http://www.saniguard-online.com/downloads_files.php?catid=3; 2009 Copyright; pp. EE2-EE3, EE6 and EE9.

* cited by examiner

Primary Examiner — Prabhakar Deshmukh

(74) *Attorney, Agent, or Firm* — Baker Donelson; Dorian B. Kennedy

(57) **CLAIM**

The ornamental design for a door latch, as shown and described.

DESCRIPTION

FIG. 1 is a perspective view of our new design for a door latch; FIG. 2 is a left side view thereof, the right side view being a mirror image thereof; FIG. 3 is a bottom view thereof; FIG. 4 is a top view thereof; FIG. 5 is a rear side view thereof; and, FIG. 6 is a front side view thereof. The broken lines are for illustrative purpose only and form no part of the claimed design.

1 Claim, 3 Drawing Sheets

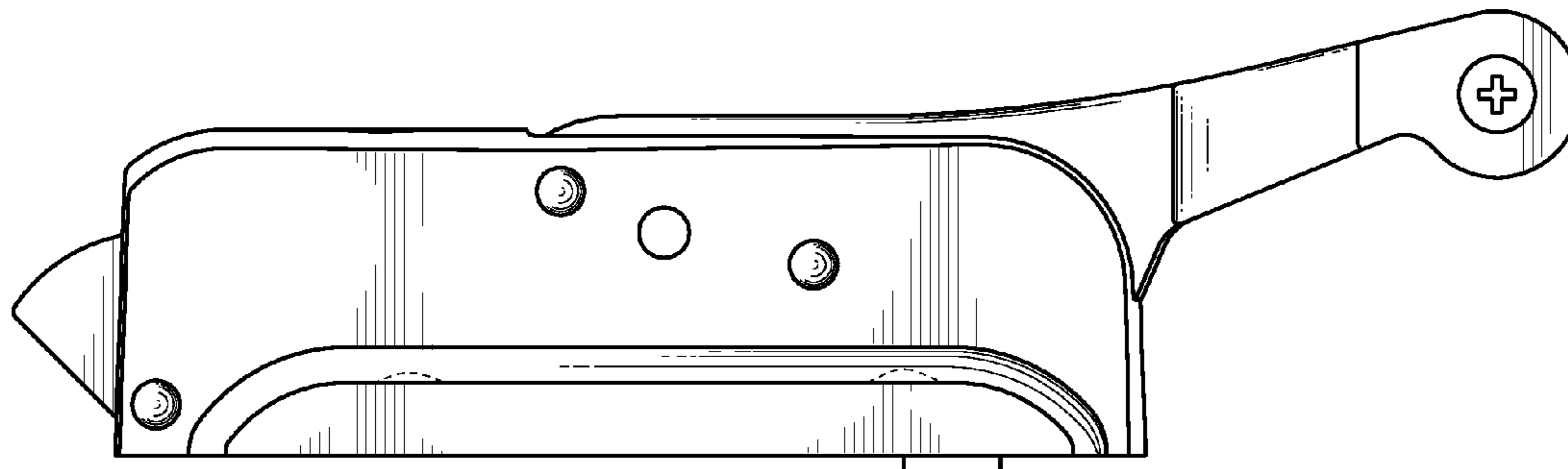


Fig. 1

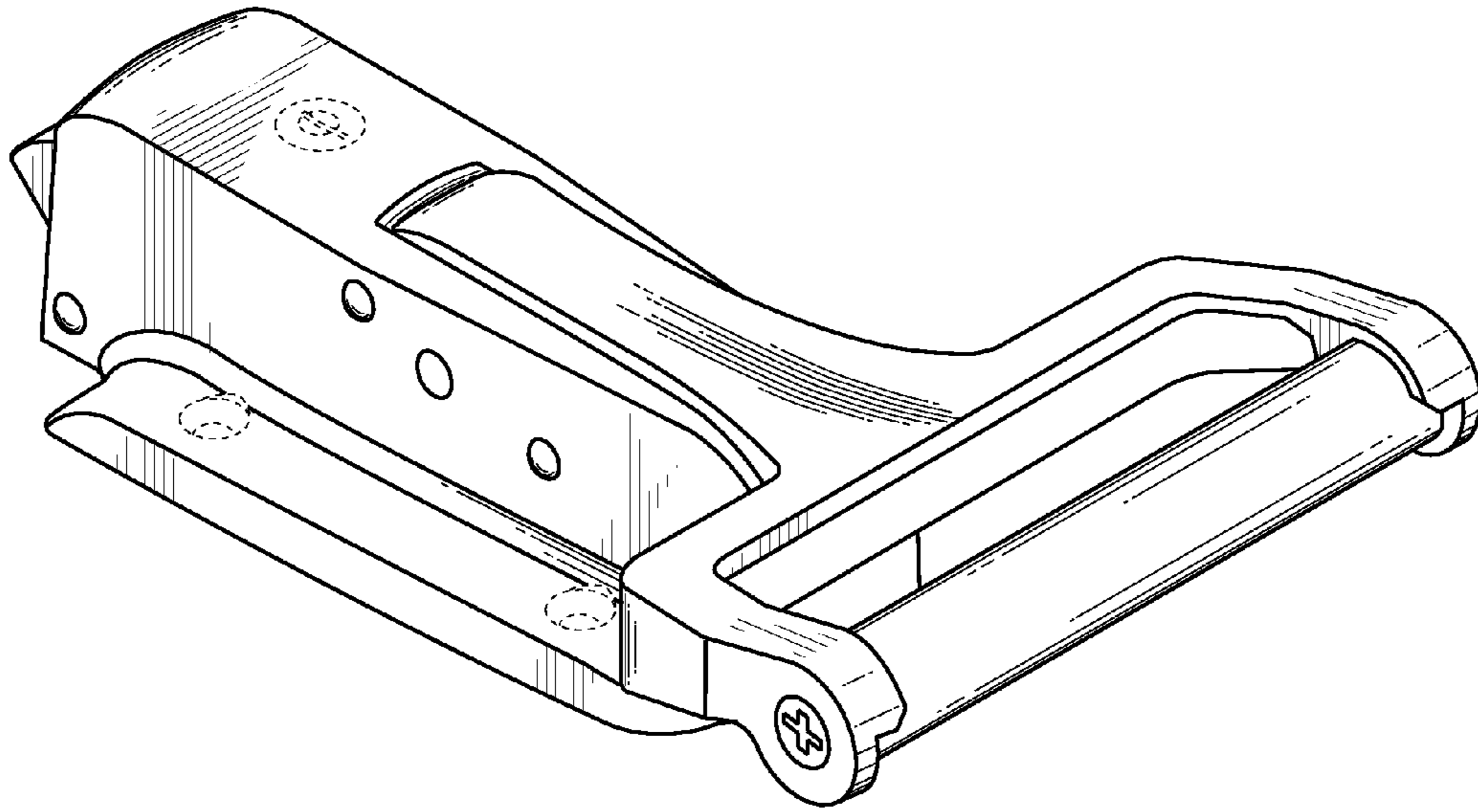


Fig. 2

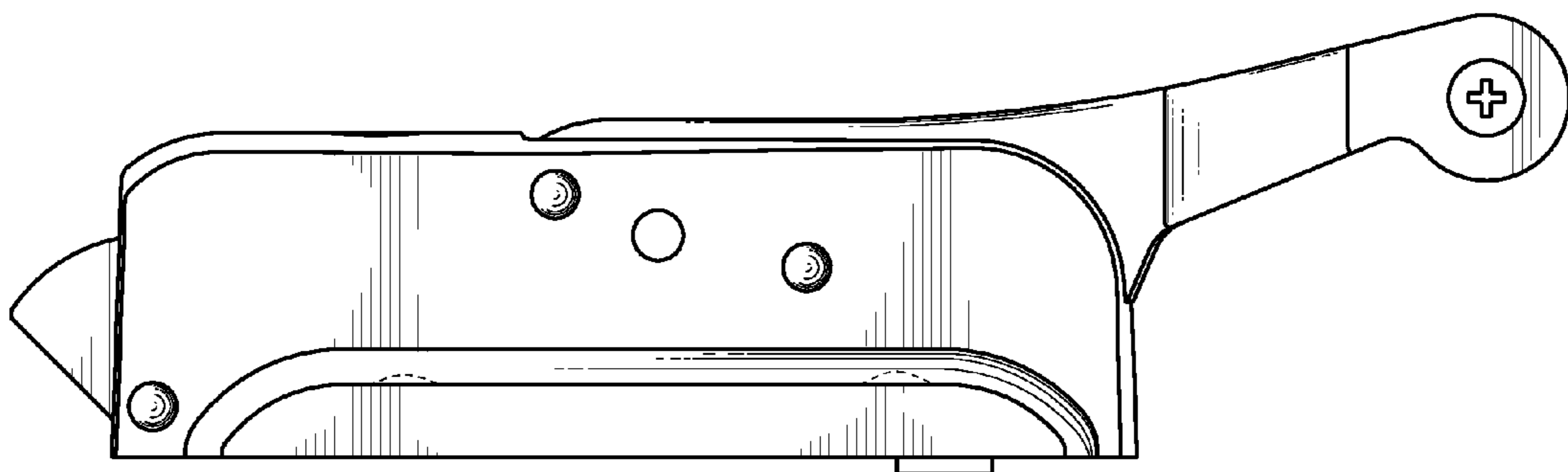


Fig. 3

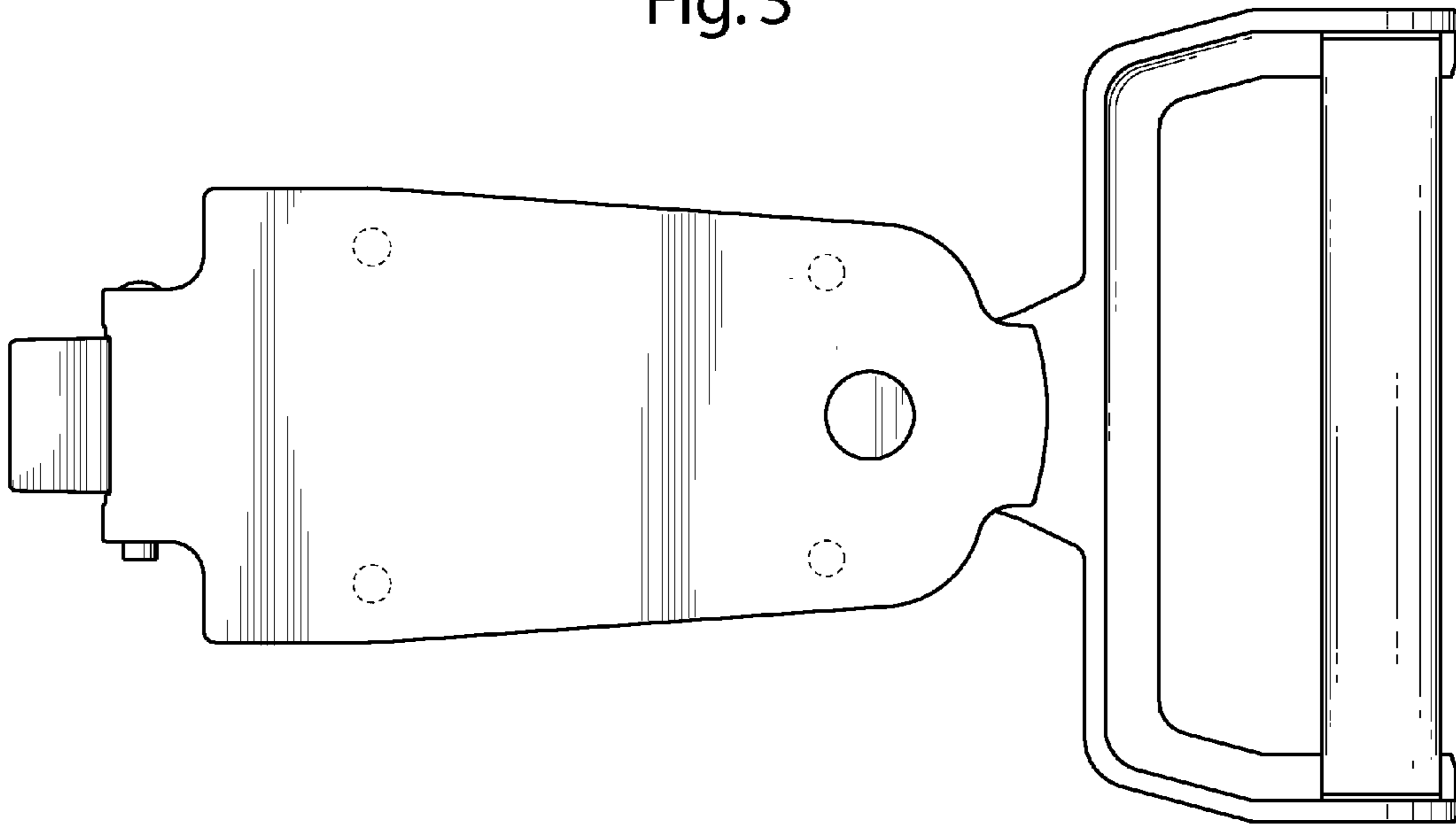


Fig. 4

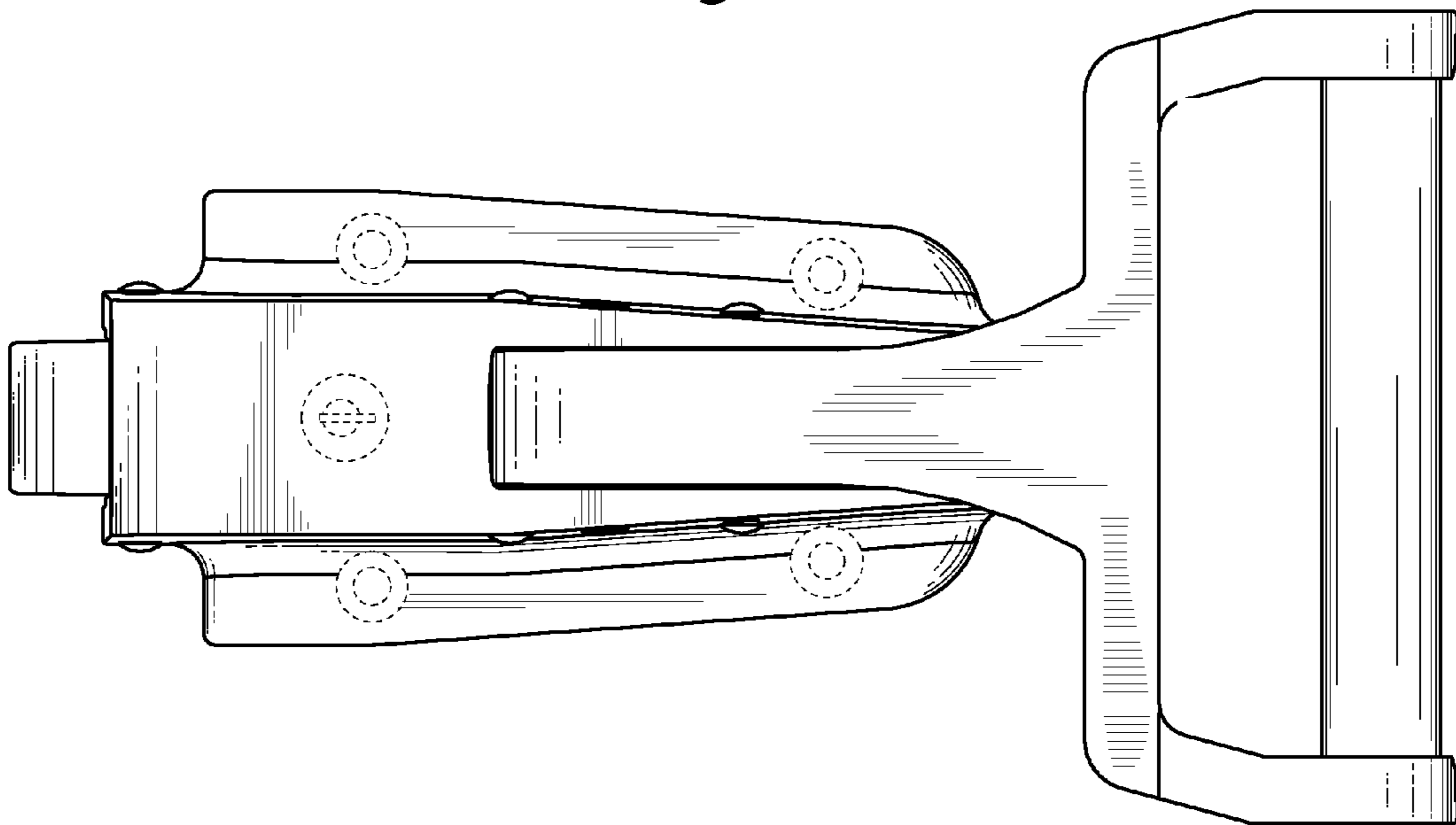


Fig. 5

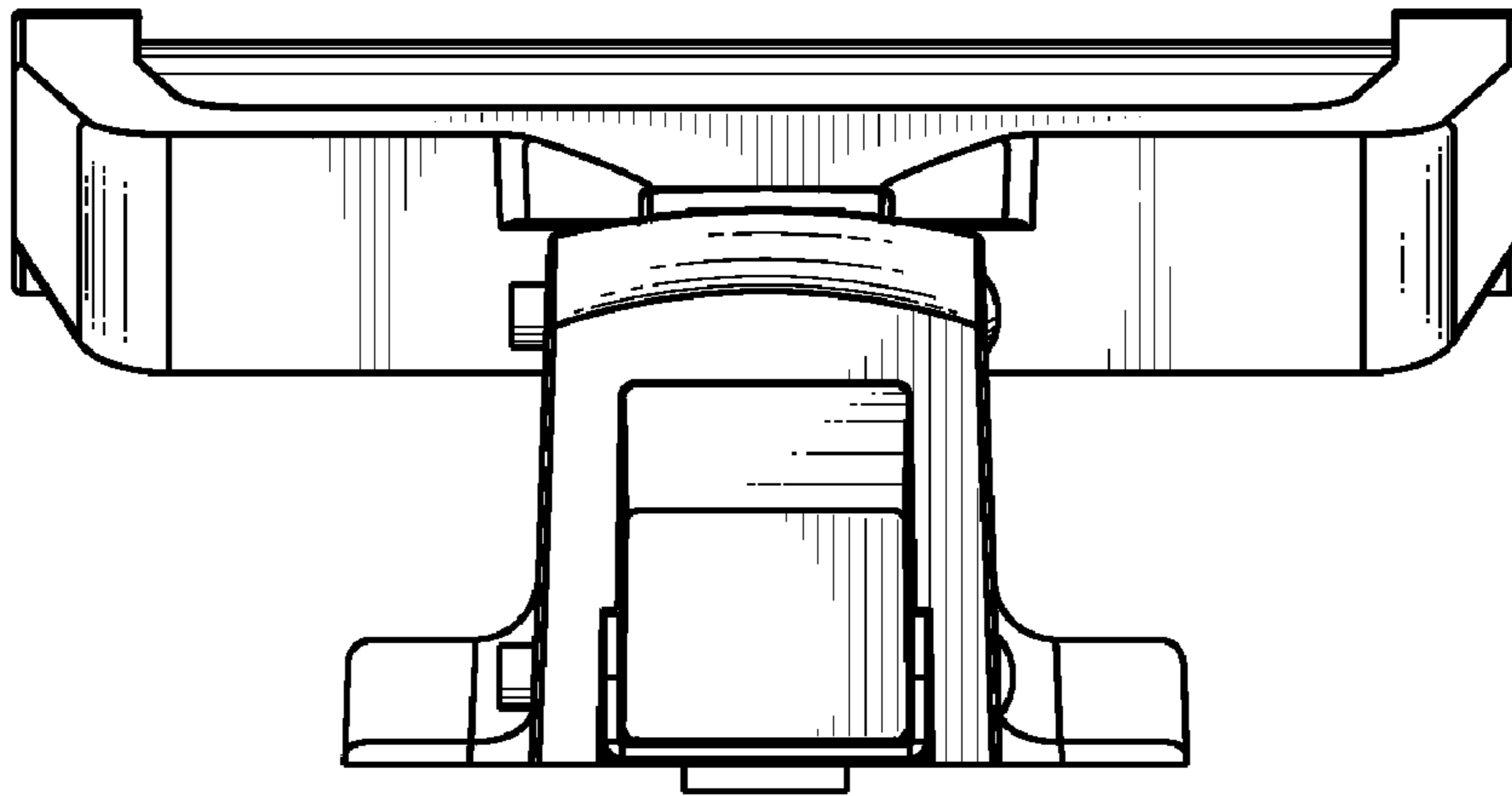


Fig. 6

