



US00D637060S

(12) **United States Design Patent**  
**Mitchell et al.**

(10) **Patent No.:** **US D637,060 S**

(45) **Date of Patent:** **\*\* May 3, 2011**

(54) **DOOR HINGE**

(75) Inventors: **Brett A Mitchell**, Newnan, GA (US);  
**Raymond J. Hiller**, Newnan, GA (US)

(73) Assignee: **Kason Industries, Inc.**, Shenandoah,  
GA (US)

(\*\*) Term: **14 Years**

(21) Appl. No.: **29/378,496**

(22) Filed: **Nov. 4, 2010**

(51) **LOC (9) Cl.** ..... **08-06**

(52) **U.S. Cl.** ..... **D8/323; D8/327**

(58) **Field of Classification Search** ..... D8/323,  
D8/328, 329, 324, 330, 325, 327, 331, 336,  
D8/353, 338, 334, 57; D16/334; D23/302,  
D23/303; D10/69; D3/903; 4/236, 240;  
16/309, 235, 275, 244, 379, 390, 430, 241,  
16/238, 245, 236, 243, 242, 385, 225, 250;  
248/682; 33/347, 365-390

See application file for complete search history.

(56) **References Cited**

**U.S. PATENT DOCUMENTS**

D23,506 S *	7/1894	Hart	.....	D8/327
D75,537 S *	6/1928	Winters et al.	.....	D8/329
D85,477 S *	11/1931	Katz	.....	D8/329
1,832,902 A *	11/1931	Holbrook	.....	16/392
D86,814 S *	4/1932	Tamaroff	.....	D8/329
D92,335 S *	5/1934	Brantingson	.....	D8/329
D92,447 S *	6/1934	Brantingson	.....	D8/329
D105,649 S *	8/1937	Carruthers	.....	D8/329
D111,157 S *	9/1938	Schrader	.....	D8/329
D154,132 S *	6/1949	Lounsbury	.....	D8/329
D161,650 S *	1/1951	Scovill	.....	D8/329
D173,025 S *	9/1954	Fritz	.....	D8/329
D299,420 S *	1/1989	Takahashi	.....	D8/329
D302,104 S *	7/1989	Takahashi	.....	D8/329

D302,105 S *	7/1989	Takahashi	.....	D8/329
D348,205 S *	6/1994	Chen	.....	D8/331
D395,590 S	6/1998	Finkelstein et al.	.....	
D401,134 S	11/1998	Finkelstein	.....	
D451,000 S *	11/2001	Karl	.....	D8/323
6,401,298 B1 *	6/2002	Lenz	.....	16/335
D608,179 S *	1/2010	Tejszerski	.....	D8/327

**OTHER PUBLICATIONS**

Kason Industries, Inc. Walk-In Hardware Catalog downloaded from  
<http://www.kasonind.com/index.php/catalogs/2009> Copyright; pp.  
B-28 through B-47.

Component Hardware Group, Inc. Walk-In Refrigerator Components  
Catalog downloaded from [http://www.saniguard-online.com/down-  
loads\\_files.php?catid=](http://www.saniguard-online.com/downloads_files.php?catid=); 2009 Copyright; pp. EE6 through EE8 and  
EE10 through EE11.

\* cited by examiner

*Primary Examiner* — Cynthia Underwood

(74) *Attorney, Agent, or Firm* — Baker Donelson; Dorian B.  
Kennedy

(57) **CLAIM**

The ornamental design for a door hinge, as shown and  
described.

**DESCRIPTION**

FIG. 1 is a perspective view of our new design for a door  
hinge;

FIG. 2 is a top view thereof, the bottom view being a mirror  
image thereof;

FIG. 3 is a front view thereof;

FIG. 4 is a rear view thereof;

FIG. 5 is a left side view thereof; and,

FIG. 6 is a right side view thereof.

The broken lines represent portions of the structure that form  
no part of the claim.

**1 Claim, 3 Drawing Sheets**

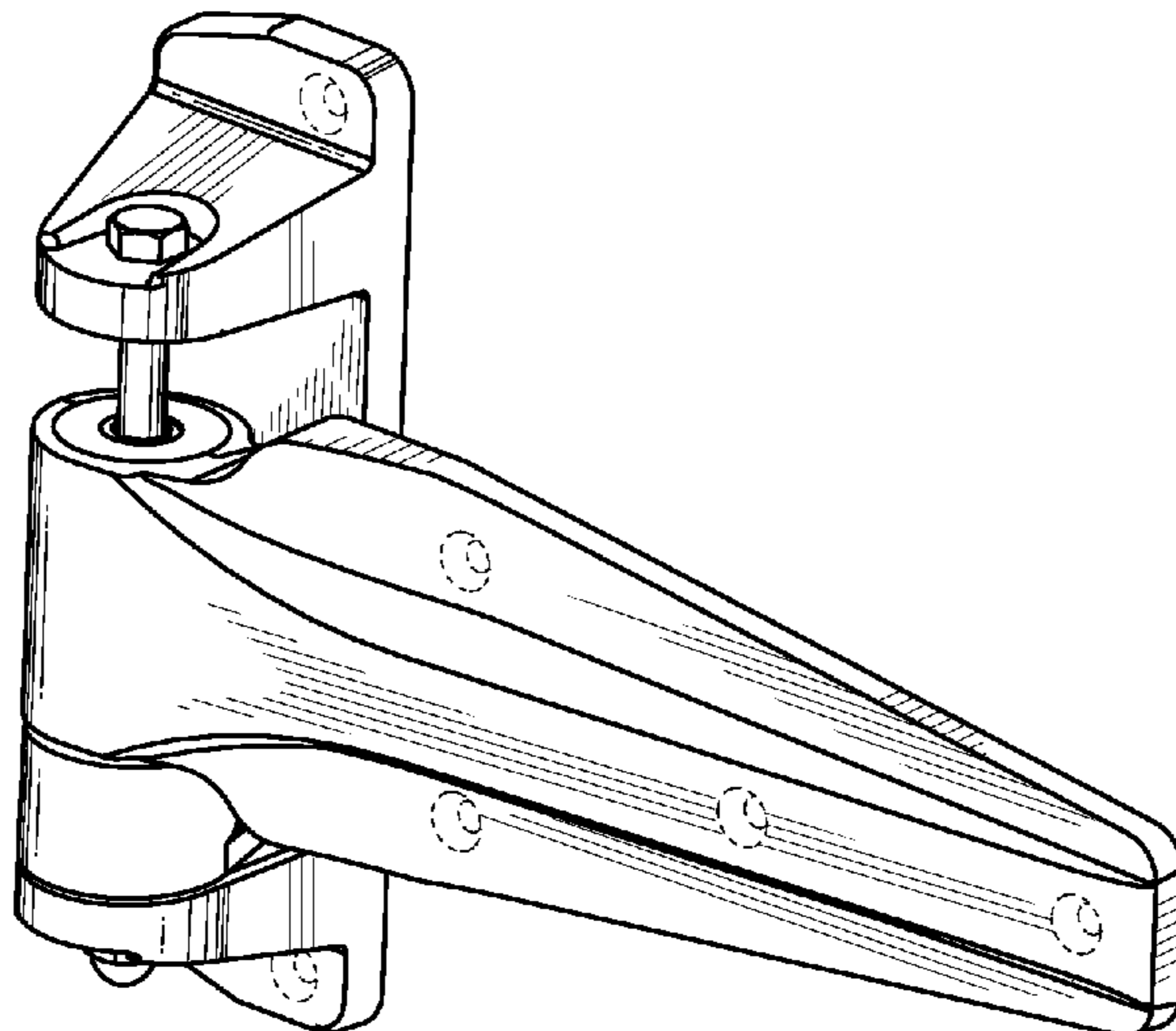


Fig. 1

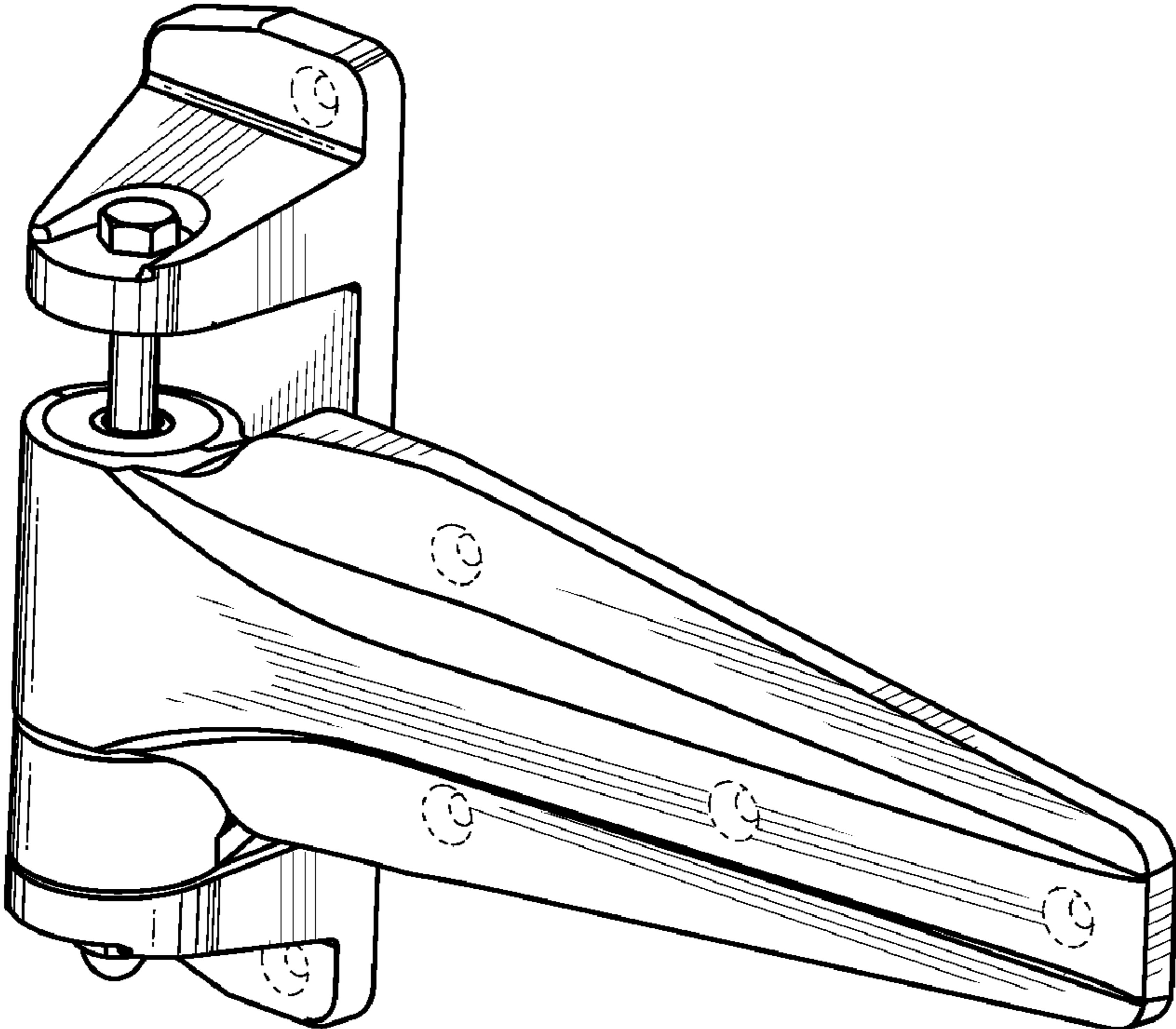


Fig. 2

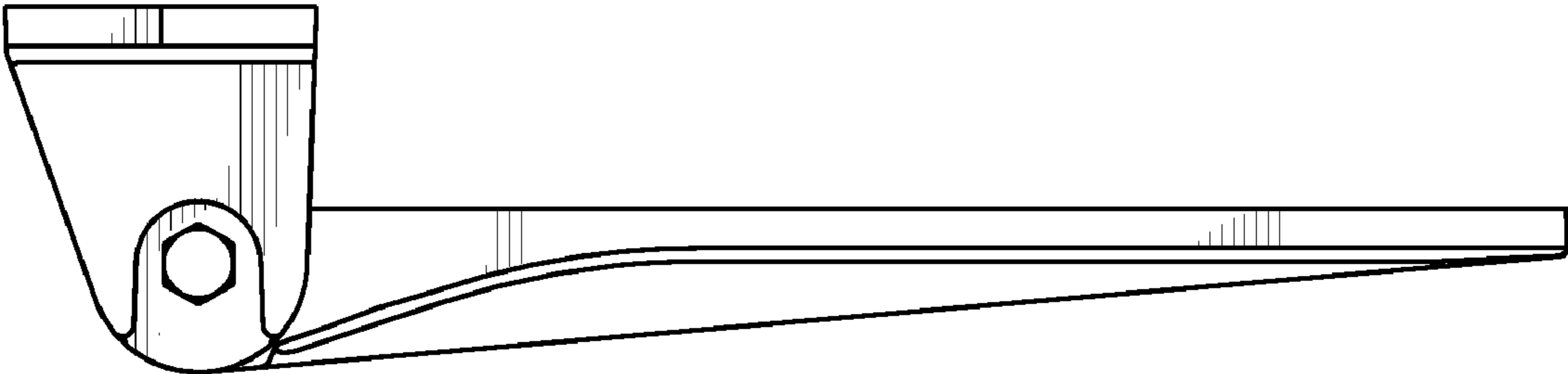


Fig. 3

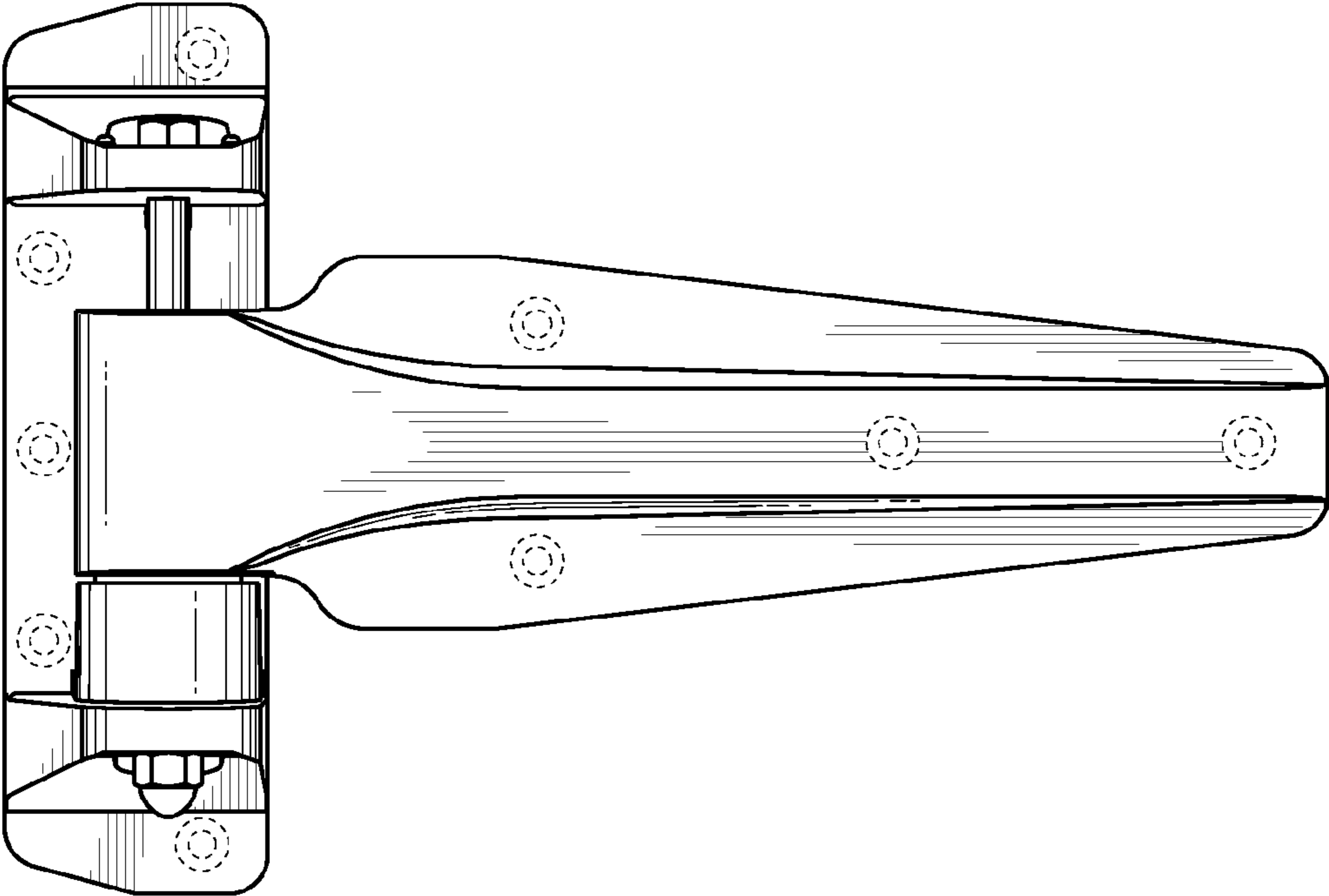


Fig. 4

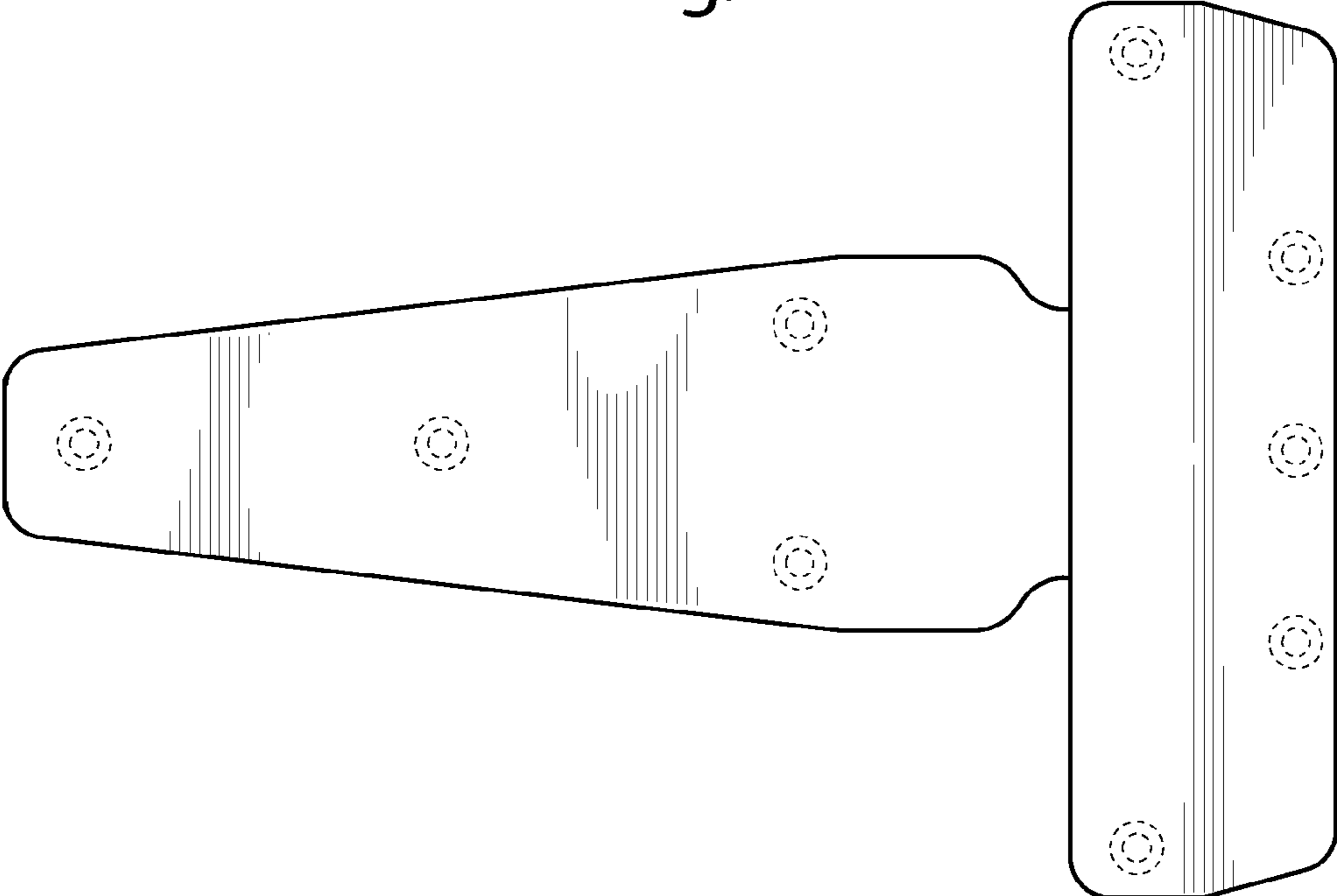


Fig. 5

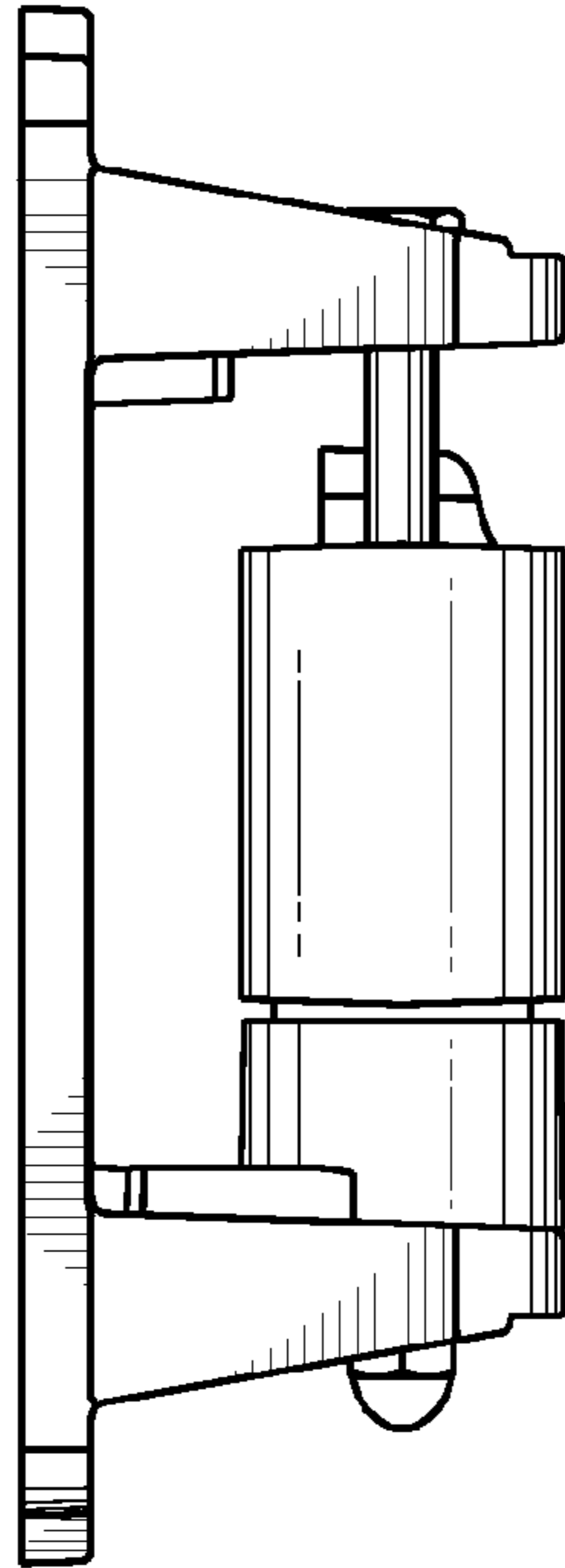


Fig. 6

