



US00D637059S

(12) **United States Design Patent**
Hanes

(10) **Patent No.:** **US D637,059 S**

(45) **Date of Patent:** **** May 3, 2011**

(54) **CABINET KNOB**

(75) Inventor: **Wendy Hanes**, Benton, LA (US)

(73) Assignee: **Hardware Resources, Inc.**, Bossier City, LA (US)

(**) Term: **14 Years**

(21) Appl. No.: **29/370,385**

(22) Filed: **Jul. 9, 2010**

(51) **LOC (9) Cl.** **08-06**

(52) **U.S. Cl.** **D8/310**

(58) **Field of Classification Search** D8/310,
D8/300, 301, 302, 303, 305, 307, 312, 317,
D8/318, 319, 320; D6/491, 550; D7/393,
D7/396; D11/95; D21/385, 386; 16/110.1,
16/412, 414, 415, 417, 433, 441, 442; 292/347,
292/348, 349, 350, 355, 356, 357
See application file for complete search history.

(56) **References Cited**

U.S. PATENT DOCUMENTS

2,993,720	A	*	7/1961	Russell	292/347
D198,522	S	*	6/1964	Clayton	D8/305
D222,873	S	*	1/1972	Palson	D8/305
D232,621	S	*	9/1974	Zagaroll	D8/310

D263,554	S	*	3/1982	Wasbrough et al.	D8/301
D355,834	S	*	2/1995	Chieda	D8/305
D355,837	S	*	2/1995	Chieda	D8/310
D368,639	S	*	4/1996	Chieda	D8/310
D474,672	S	*	5/2003	Fields	D8/310
D550,535	S	*	9/2007	Hoernig	D8/310
D558,557	S	*	1/2008	Jou	D8/310
D577,982	S	*	10/2008	Thompson	D8/301
D580,252	S	*	11/2008	Hoernig	D8/310
D580,736	S	*	11/2008	Matijevic	D8/310
D585,263	S	*	1/2009	Jou	D8/305

* cited by examiner

Primary Examiner — Stella M Reid

Assistant Examiner — Derrick Holland

(74) *Attorney, Agent, or Firm* — Schultz & Associates, P.C.

(57) **CLAIM**

The ornamental design for a cabinet knob, as shown and described.

DESCRIPTION

FIG. 1 is an isometric view of a cabinet knob showing my new design;

FIG. 2 is a first side elevation view thereof;

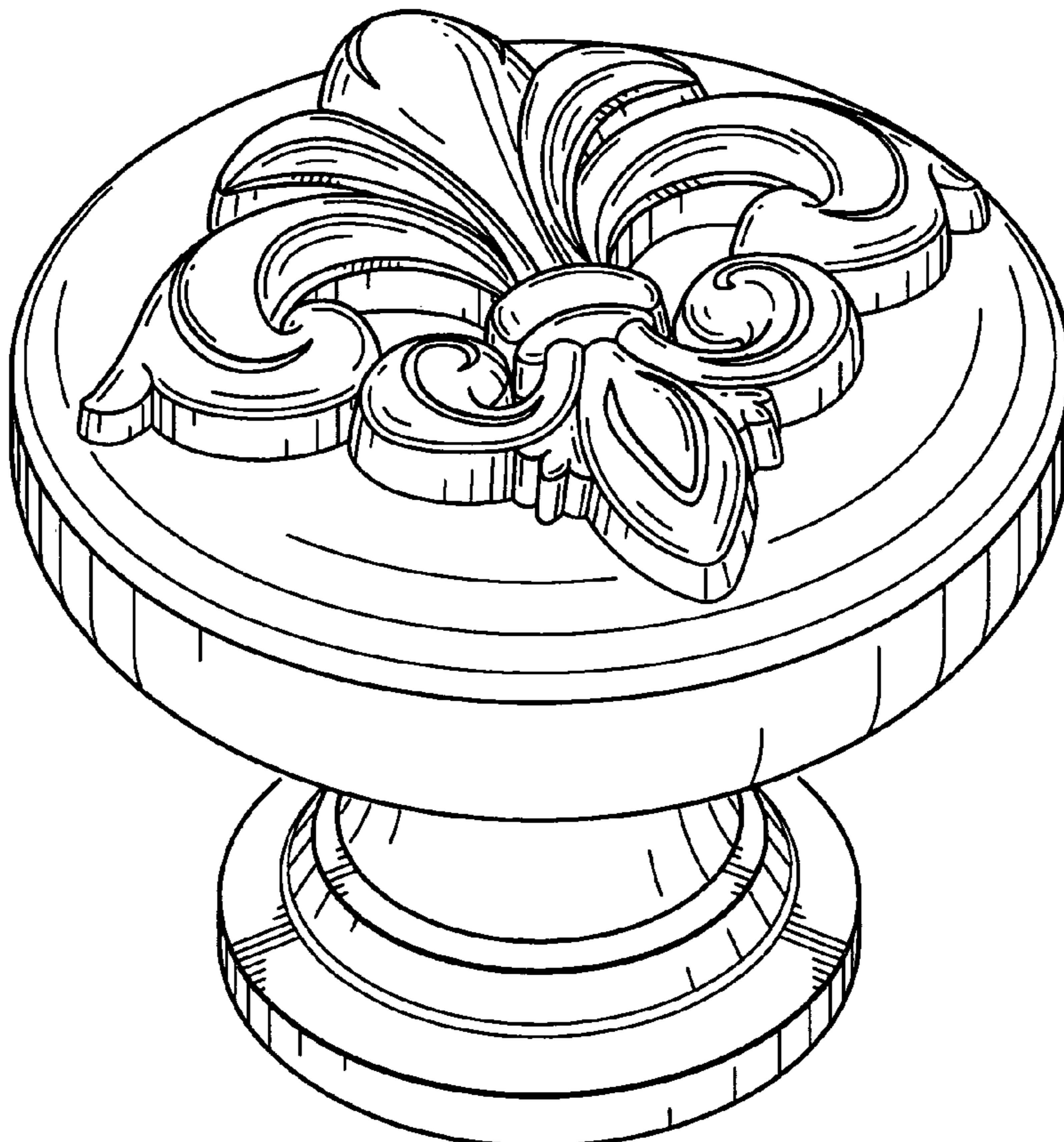
FIG. 3 is a top plan view thereof;

FIG. 4 is a second side elevation view thereof; and,

FIG. 5 is a bottom plan view thereof.

The broken lines shown represent unclaimed subject matter and form no part of the claimed design.

1 Claim, 3 Drawing Sheets



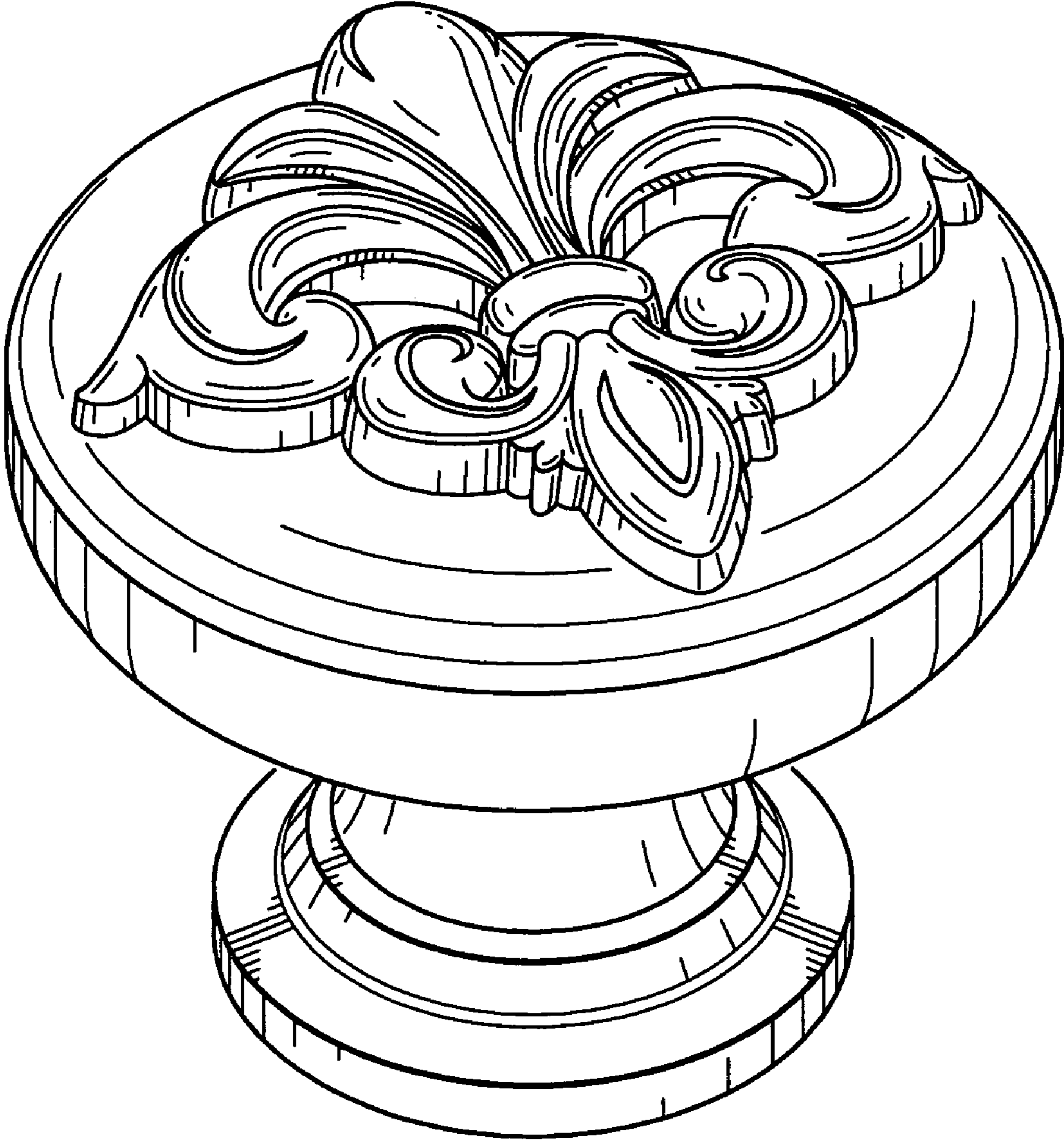


FIG. 1

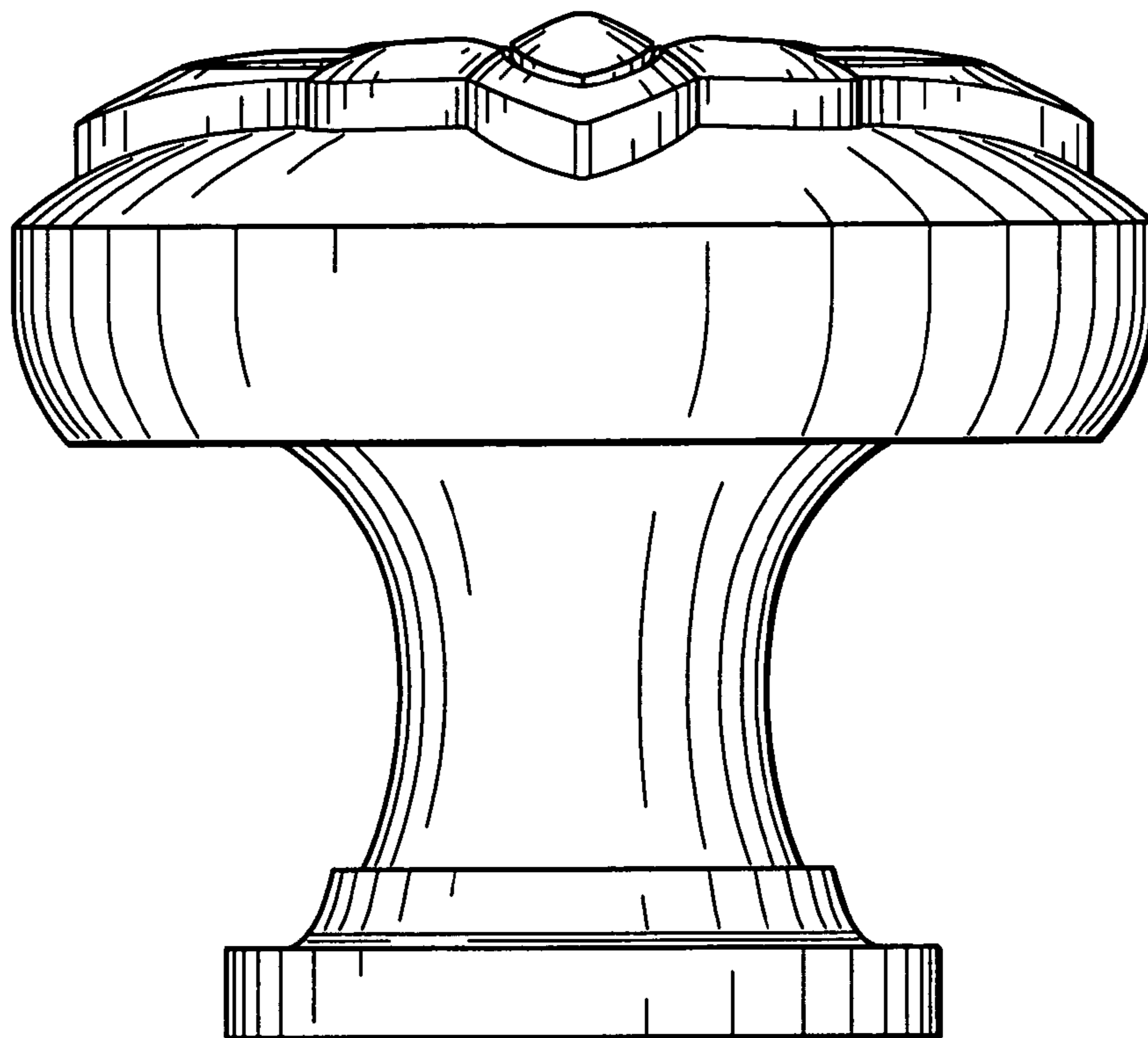


FIG. 2

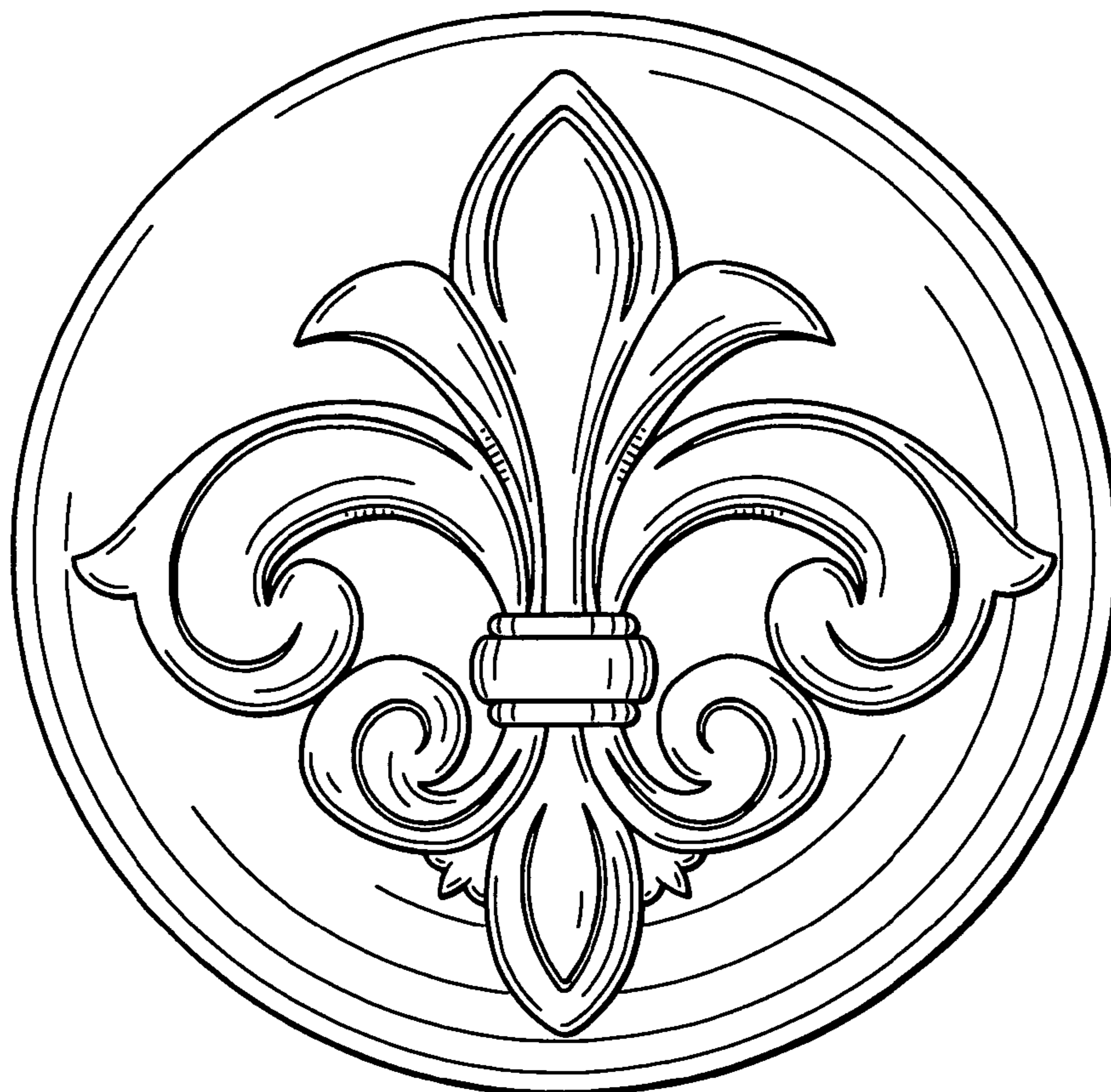


FIG. 3

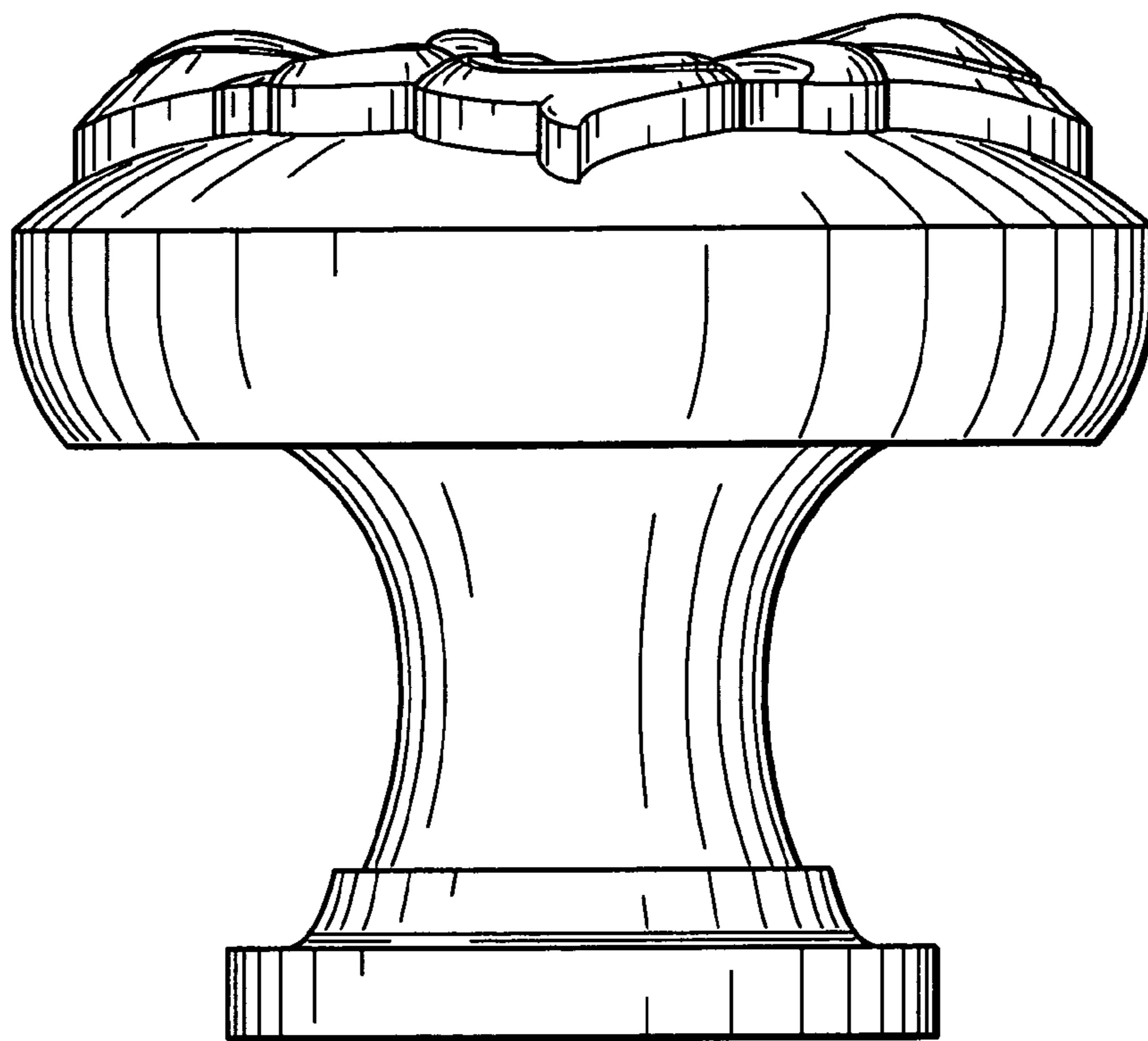


FIG. 4

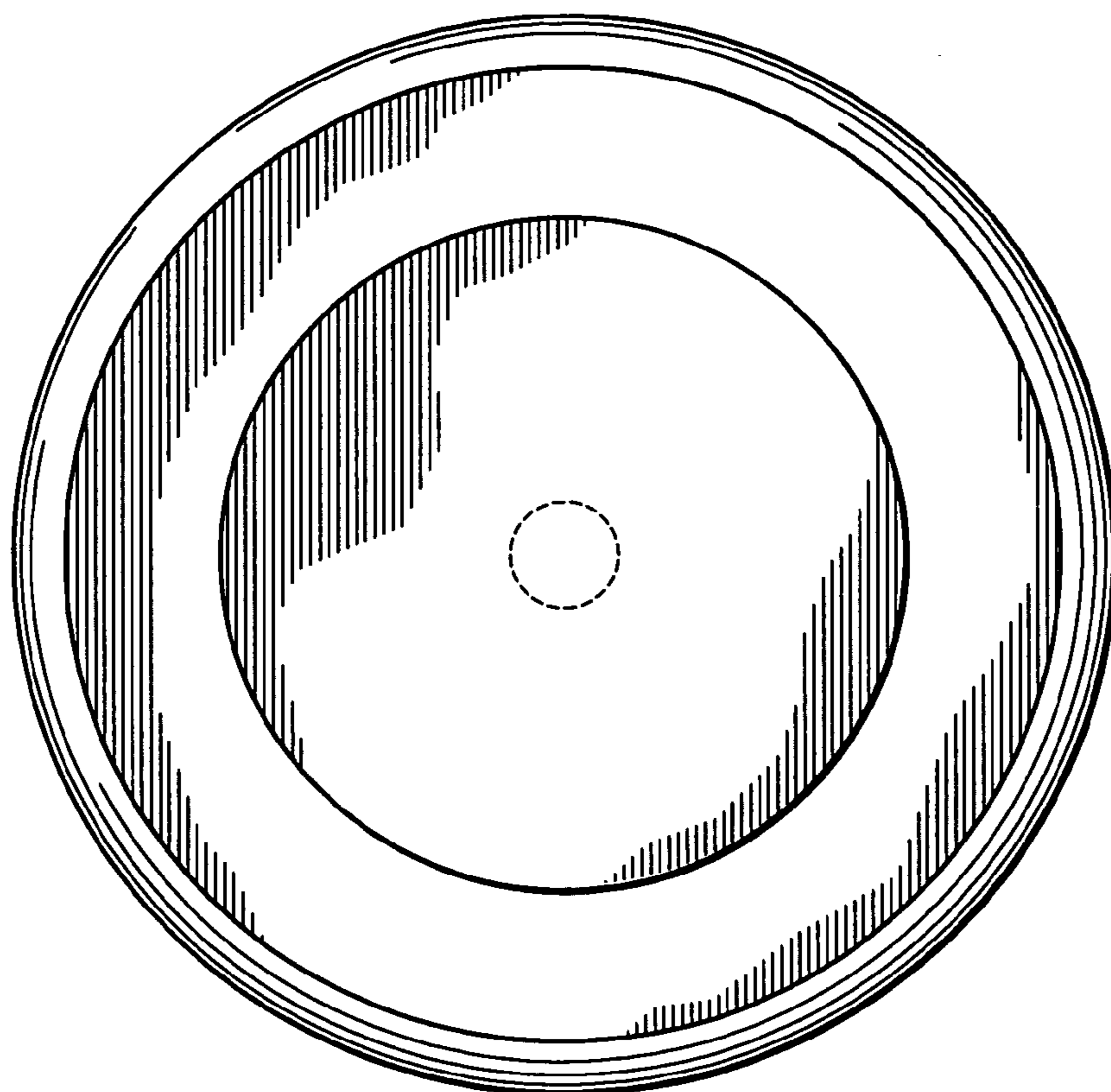


FIG. 5