



US00D637056S

(12) **United States Design Patent**
Schomisch

(10) **Patent No.:** **US D637,056 S**

(45) **Date of Patent:** **** May 3, 2011**

(54) **ANGLE GRINDER**

(75) **Inventor:** **Thomas Schomisch**, Filderstadt (DE)

(73) **Assignee:** **Robert Bosch GmbH**, Stuttgart (DE)

(**) **Term:** **14 Years**

(21) **Appl. No.:** **29/377,535**

(22) **Filed:** **Oct. 22, 2010**

(30) **Foreign Application Priority Data**

Jul. 21, 2010 (EM) 001734039

(51) **LOC (9) Cl.** **08-01**

(52) **U.S. Cl.** **D8/62**

(58) **Field of Classification Search** D32/15,
D32/17, 19; D8/67, 62, 61; D4/102; 451/456,
451/451, 359, 358, 357, 356, 355, 354, 353,
451/351, 344; 310/50; 173/170

See application file for complete search history.

(56) **References Cited**

U.S. PATENT DOCUMENTS

D295,824 S *	5/1988	Hoshino et al.	D8/62
D301,830 S *	6/1989	Ogawa et al.	D8/62
D351,772 S *	10/1994	Price	D8/62
D378,183 S *	2/1997	Dognini	D8/62
D402,870 S *	12/1998	Etter et al.	D8/62
D408,244 S *	4/1999	Price	D8/62
D423,898 S *	5/2000	Kelley	D8/64
D438,077 S *	2/2001	Schmid	D8/61

D453,098 S *	1/2002	Pretzell	D8/62
D479,452 S *	9/2003	Cho	D8/62
D479,969 S *	9/2003	Robson et al.	D8/62
D491,033 S *	6/2004	Bian	D8/62
D500,945 S *	1/2005	Wright	D8/62
D511,285 S *	11/2005	Henssler et al.	D8/62
D522,826 S *	6/2006	Aglassinger	D8/62
D528,389 S *	9/2006	Wu	D8/62
D528,887 S *	9/2006	Wright	D8/62
D531,868 S *	11/2006	Zurwelle	D8/62
D544,326 S *	6/2007	Sterpka et al.	D8/62
D567,610 S *	4/2008	Wright	D8/62
D568,704 S *	5/2008	Aglassinger	D8/62
D593,826 S *	6/2009	Aglassinger	D8/62
D602,756 S *	10/2009	Henssler et al.	D8/61
D605,013 S *	12/2009	Kokawa et al.	D8/62

* cited by examiner

Primary Examiner — Austin Murphy

(74) *Attorney, Agent, or Firm* — Maginot, Moore & Beck

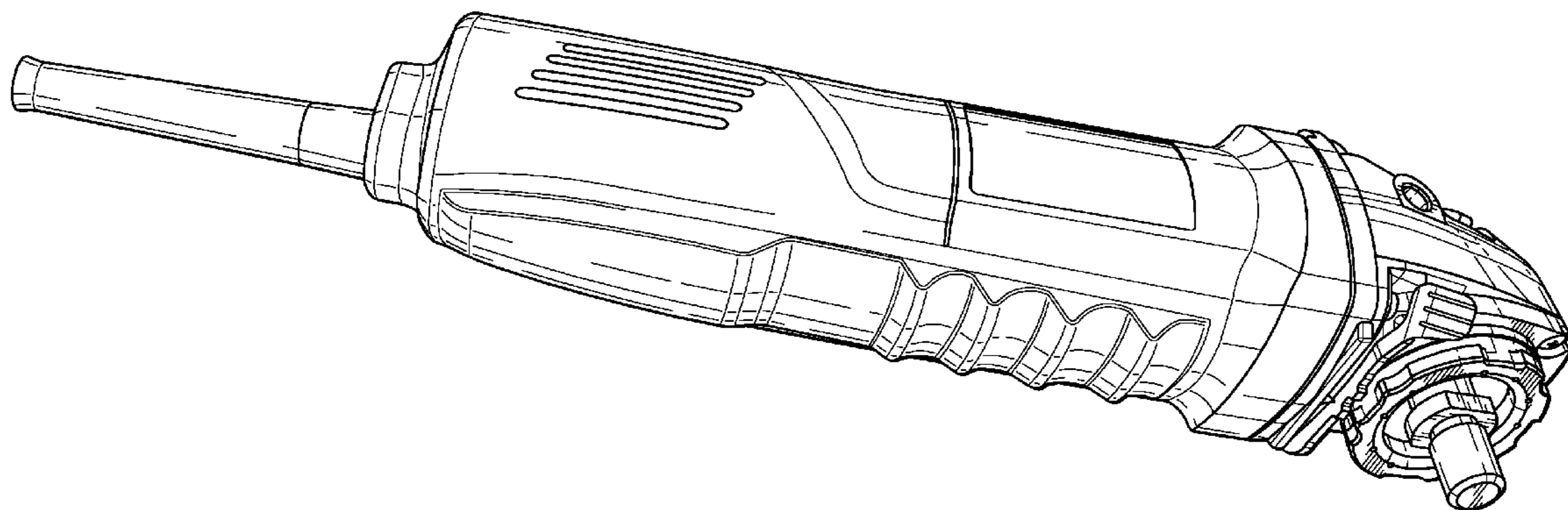
(57) **CLAIM**

The ornamental design for the angle grinder, as shown and described.

DESCRIPTION

FIG. 1 is a top left perspective view of the angle grinder;
FIG. 2 is a bottom plan view thereof;
FIG. 3 is a top plan view thereof;
FIG. 4 is a left elevational view thereof;
FIG. 5 is a right elevational view thereof;
FIG. 6 is a rear elevational view thereof; and,
FIG. 7 is a front elevational view thereof.

1 Claim, 7 Drawing Sheets



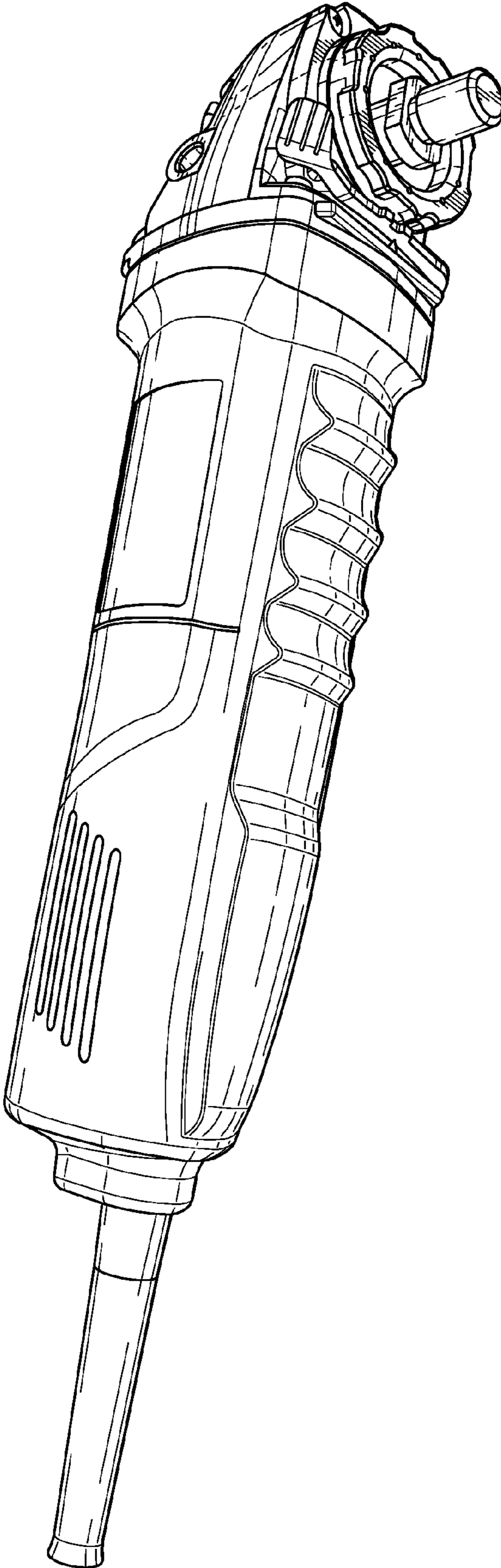


Fig.1

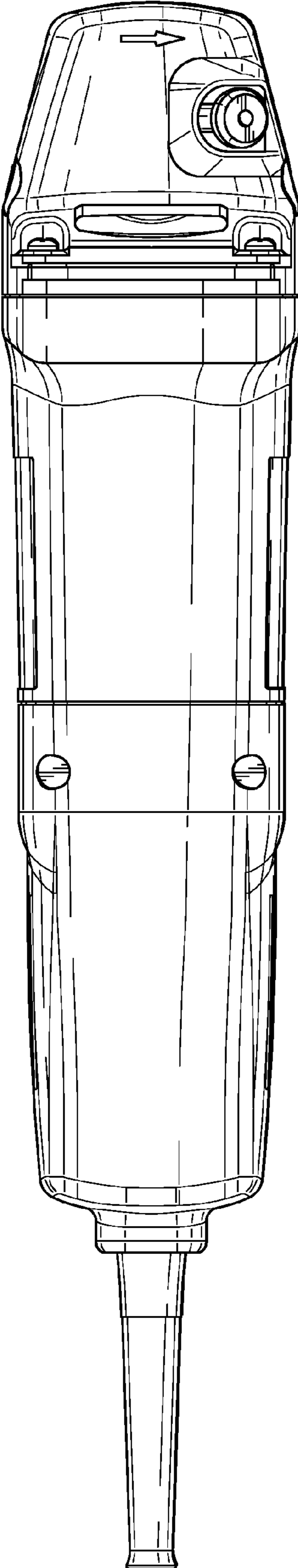


Fig.2

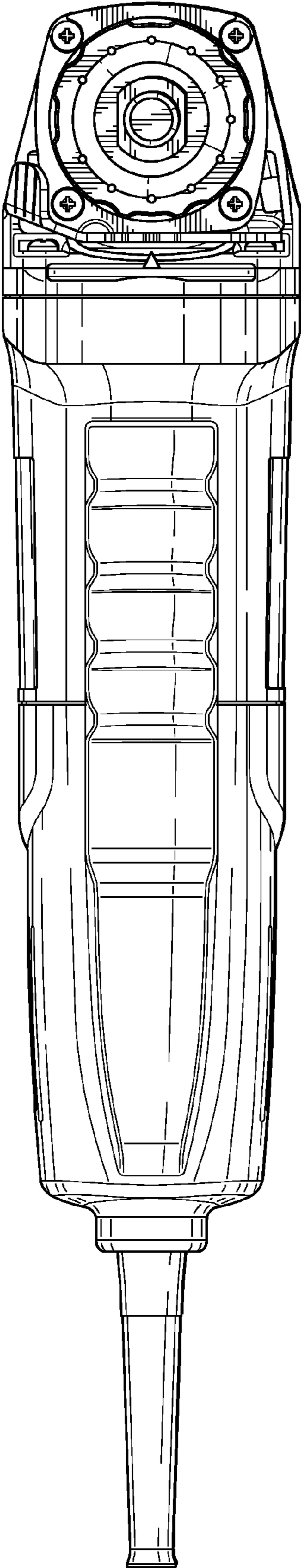


Fig.3

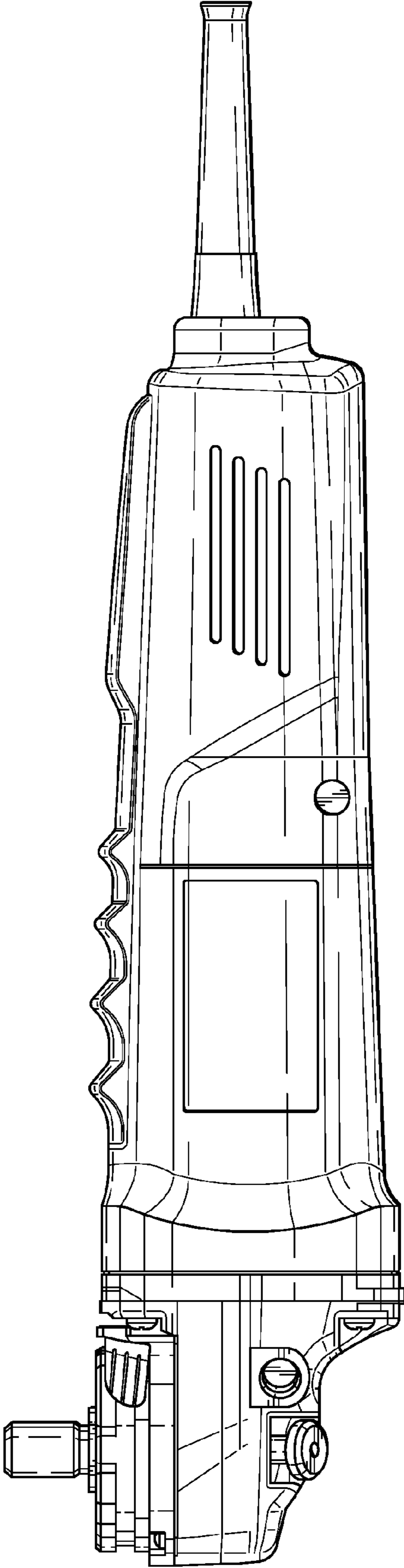


Fig.4

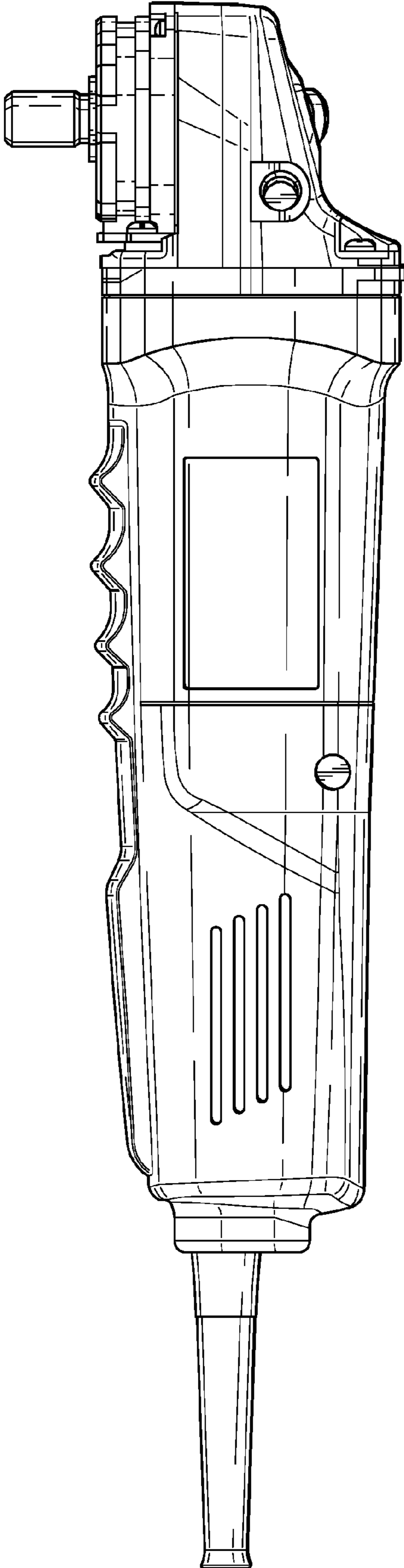


Fig.5

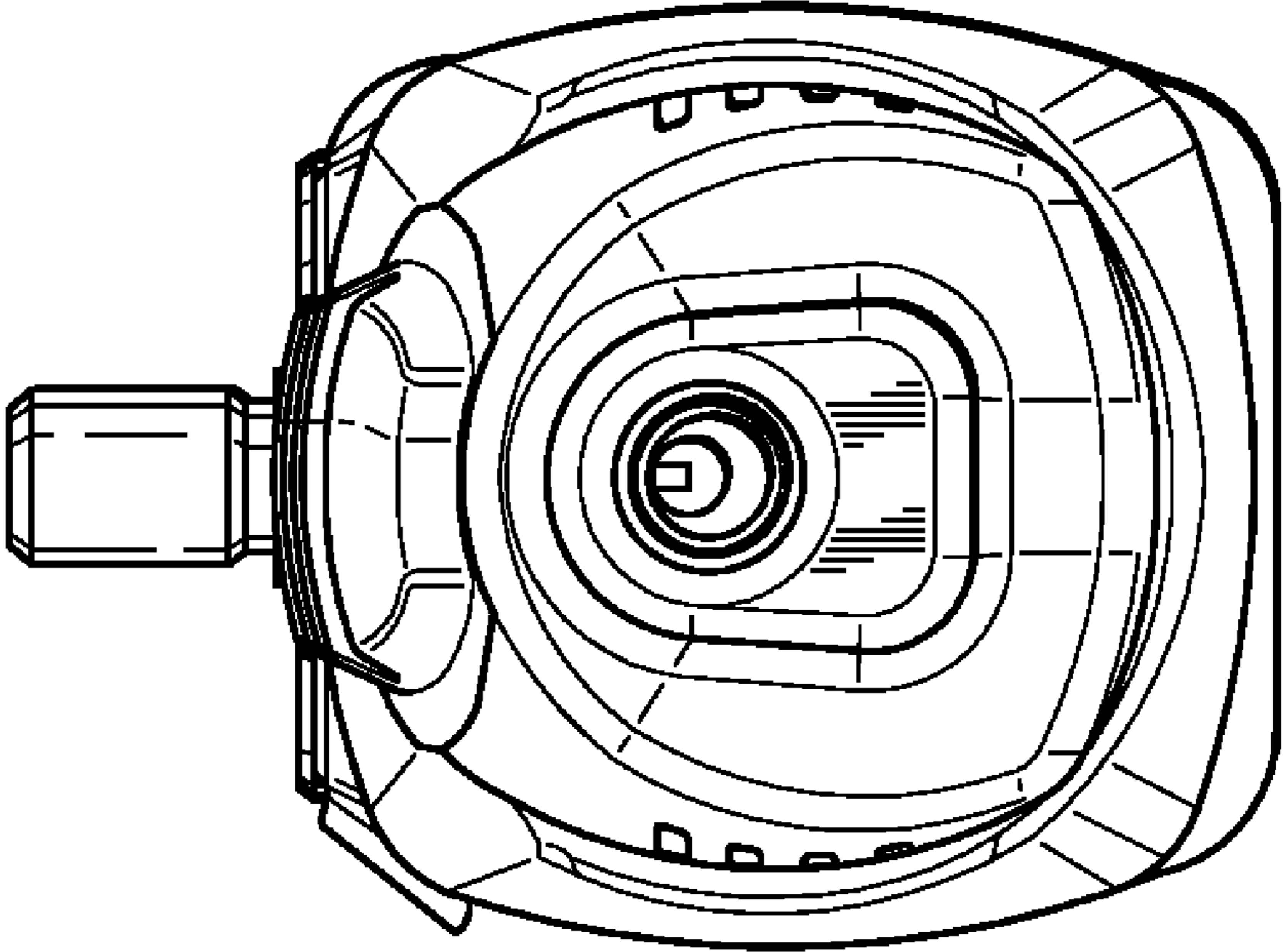


Fig. 6

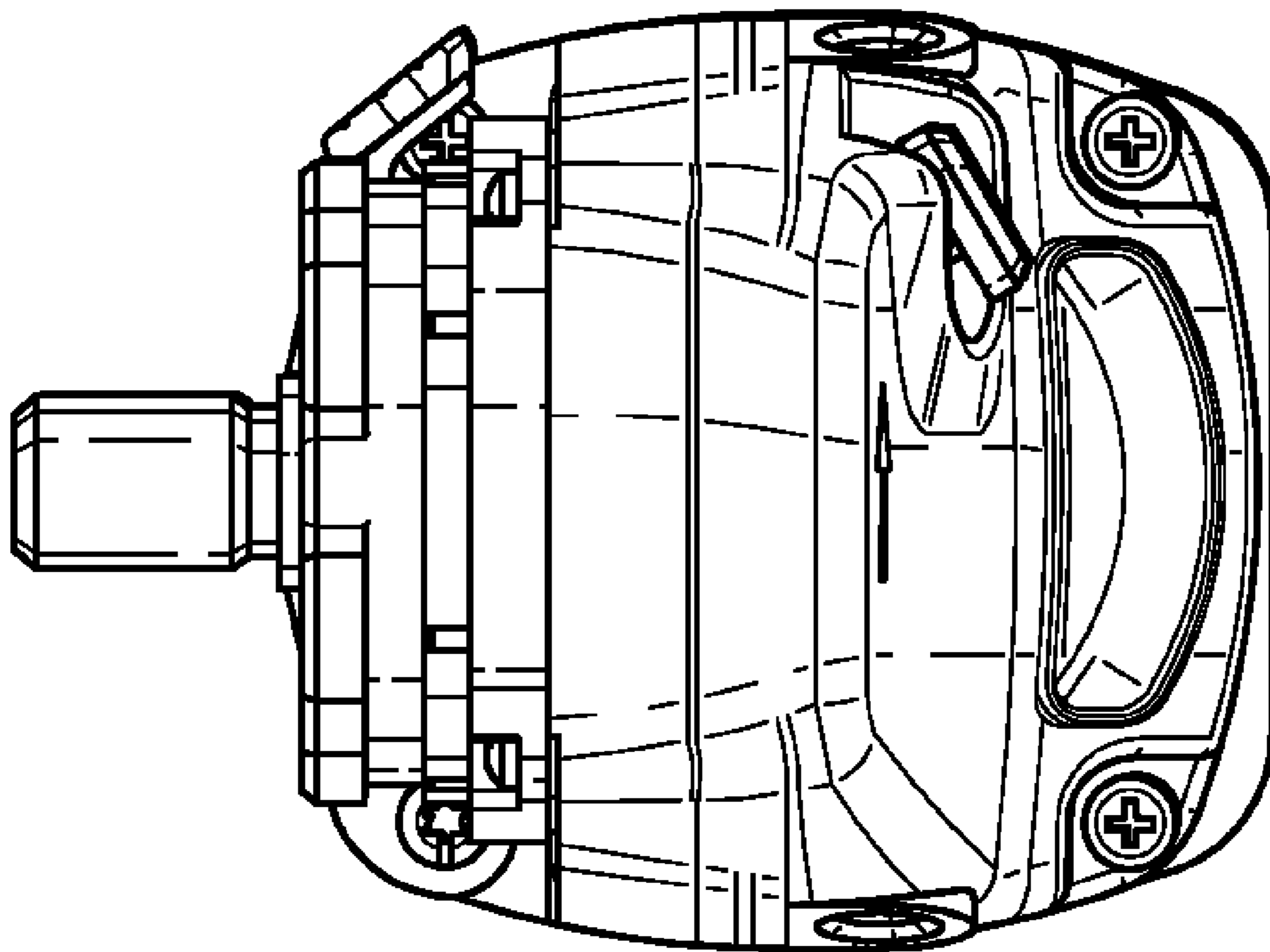


Fig. 7