



US00D637051S

(12) **United States Design Patent**
Li et al.

(10) **Patent No.:** **US D637,051 S**
(45) **Date of Patent:** **** May 3, 2011**

(54) **SOCKET**

(76) Inventors: **Yi-Min Li**, Dali (TW); **Andreas Dierolf**,
Untermunkheim (DE)

(**) Term: **14 Years**

(21) Appl. No.: **29/367,242**

(22) Filed: **Aug. 4, 2010**

(51) **LOC (9) Cl.** **08-05**

(52) **U.S. Cl.** **D8/29**

(58) **Field of Classification Search** D8/21-29;
81/58.3-59.16, 177.1, 177.85, 121.1, 124.3,
81/165-170, 110.1, 176.2, 124.6, 176.1,
81/176.15, 177.2; 16/110.1; D15/144.1;
219/75, 227, 229, 121.16, 121.18
See application file for complete search history.

(56) **References Cited**

U.S. PATENT DOCUMENTS

4,616,535 A * 10/1986 Chiavon 81/121.1
4,671,141 A * 6/1987 Hanson 81/53.2

5,140,875 A * 8/1992 Kim 81/63.1
5,313,860 A * 5/1994 Liou 81/437
6,595,088 B2 * 7/2003 Kuo et al. 81/58.5
7,010,998 B2 * 3/2006 Ying-Hao 81/121.1
D570,169 S * 6/2008 Lin D8/29
D628,868 S * 12/2010 Laurie D8/29
2008/0028897 A1 * 2/2008 Hu 81/121.1

* cited by examiner

Primary Examiner — Raphael Barkai
Assistant Examiner — Randall Gholson

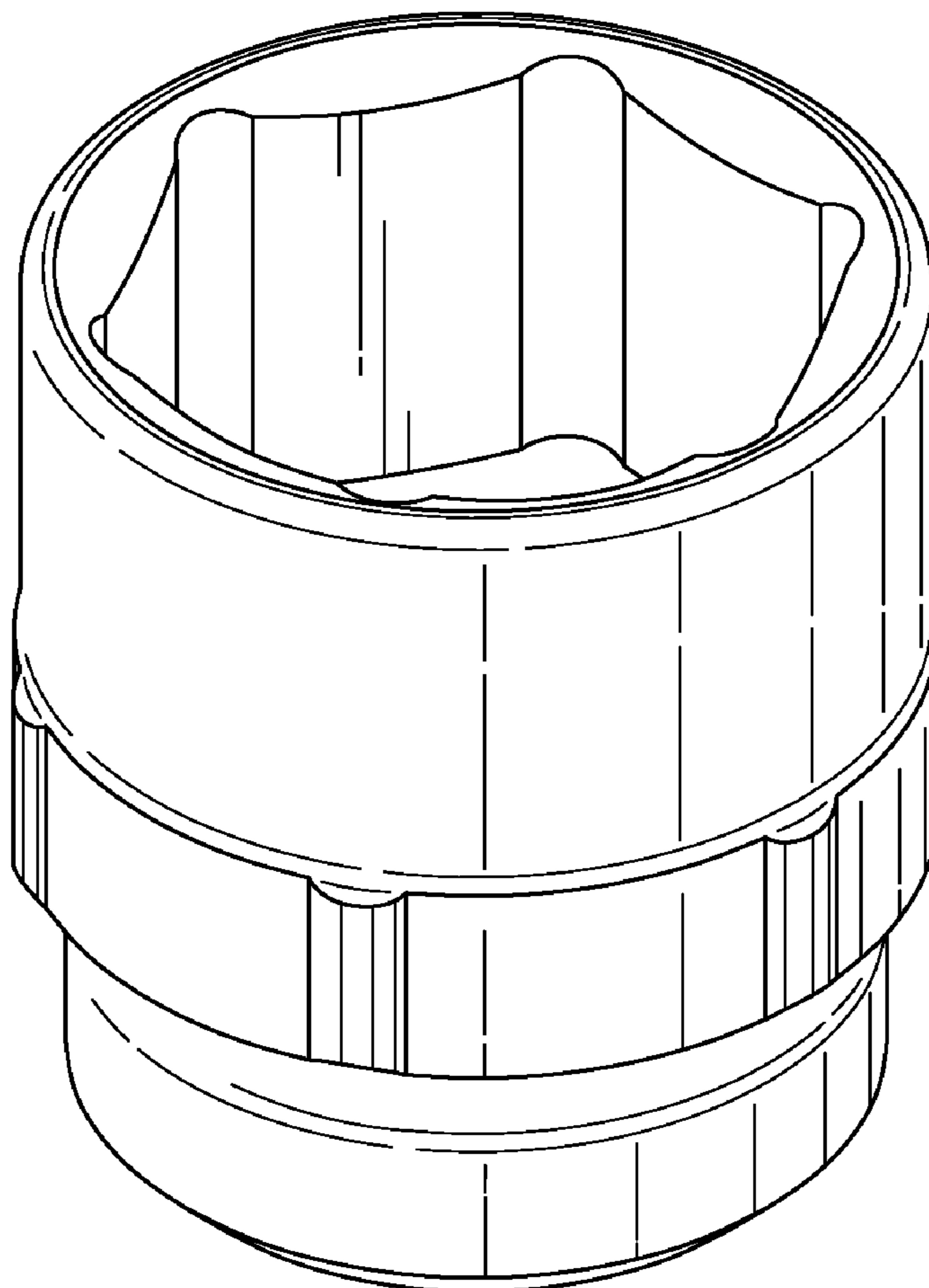
(57) **CLAIM**

We claim the ornamental design for a socket, as shown and described.

DESCRIPTION

FIG. 1 is a perspective view of a socket, showing my new design;
FIG. 2 is a front elevational view thereof;
FIG. 3 is a right side elevational view thereof;
FIG. 4 is a top plan view thereof; and,
FIG. 5 is a bottom plan view thereof.

1 Claim, 3 Drawing Sheets



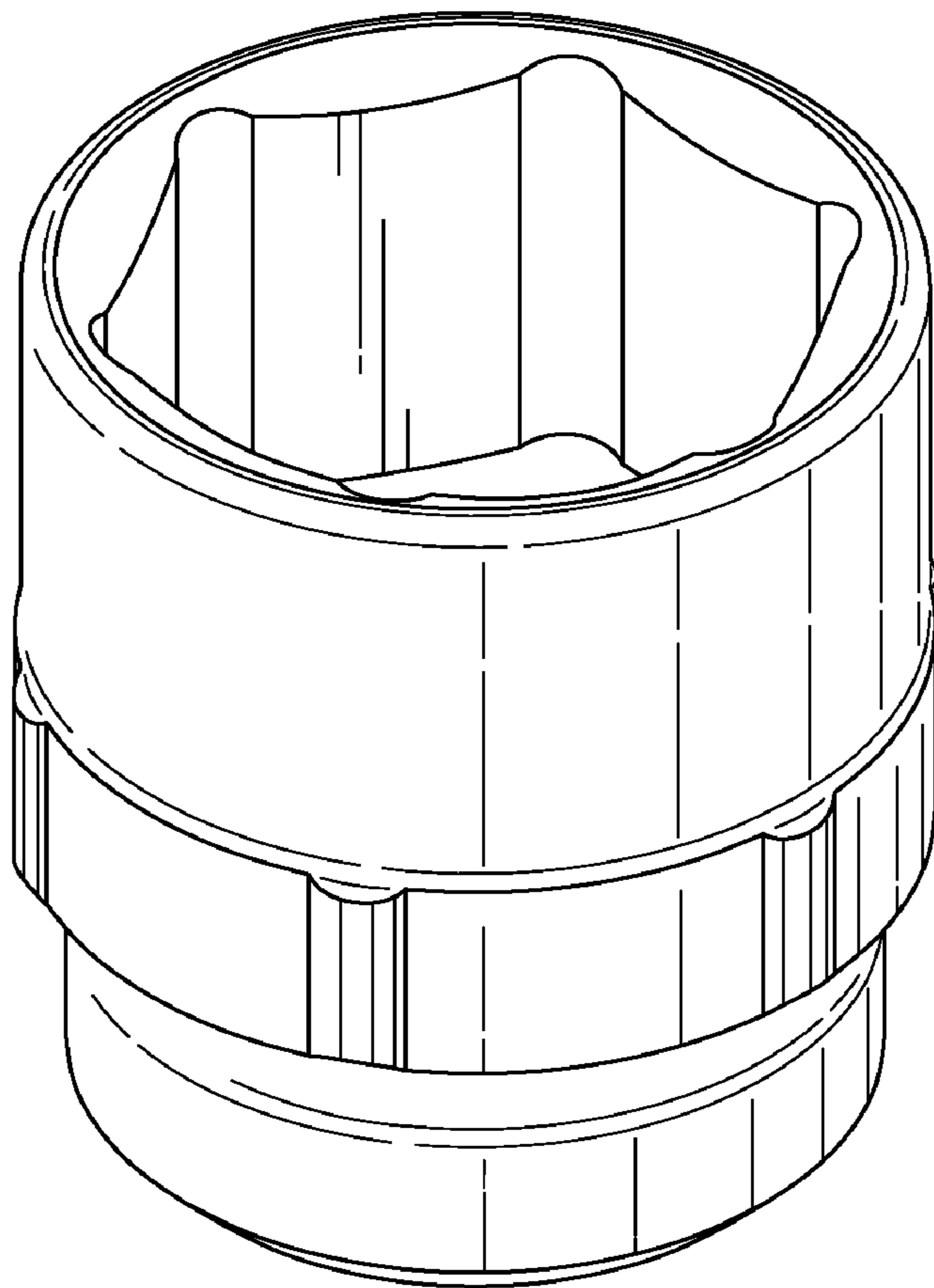


FIG. 1

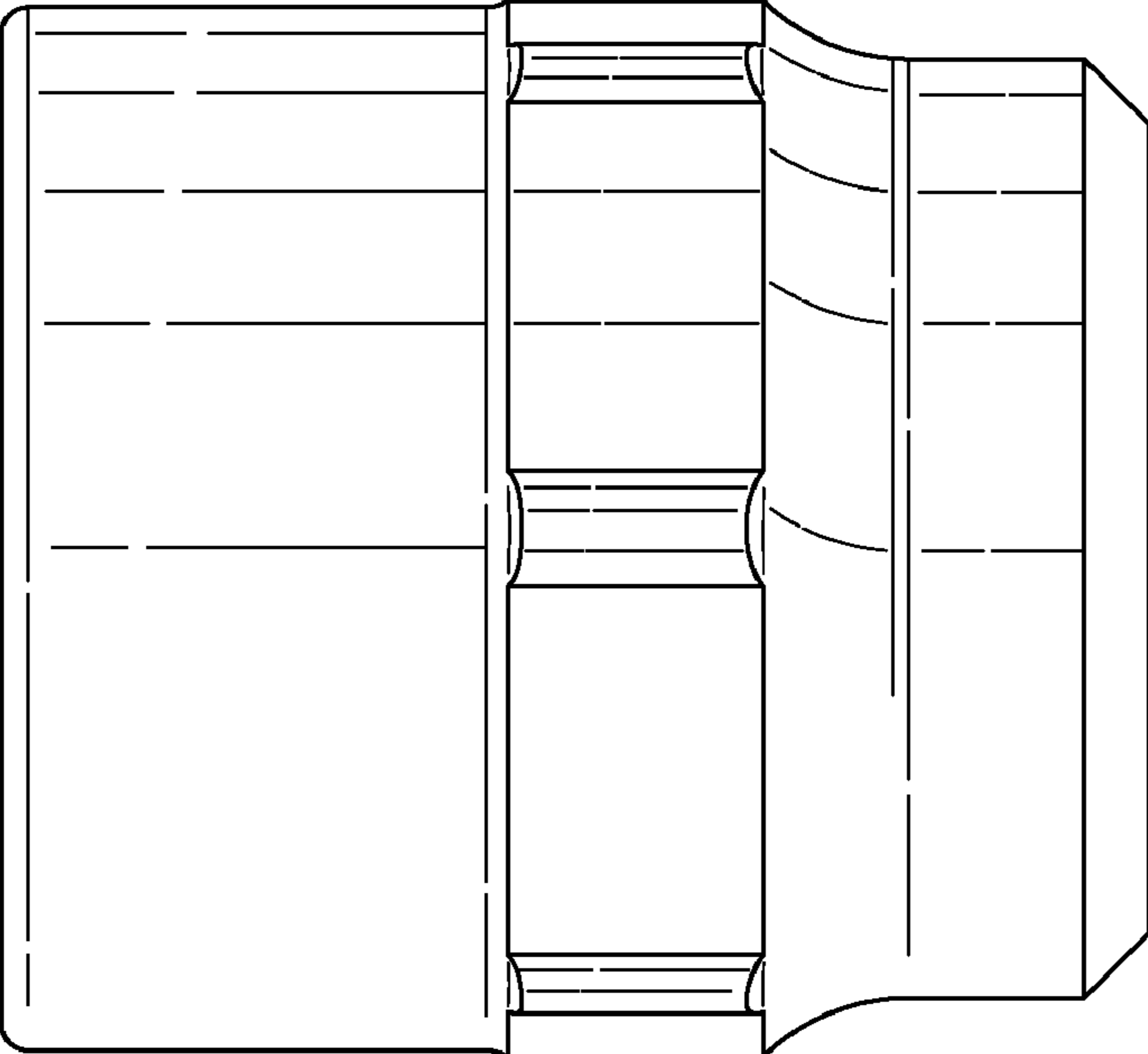


FIG. 3

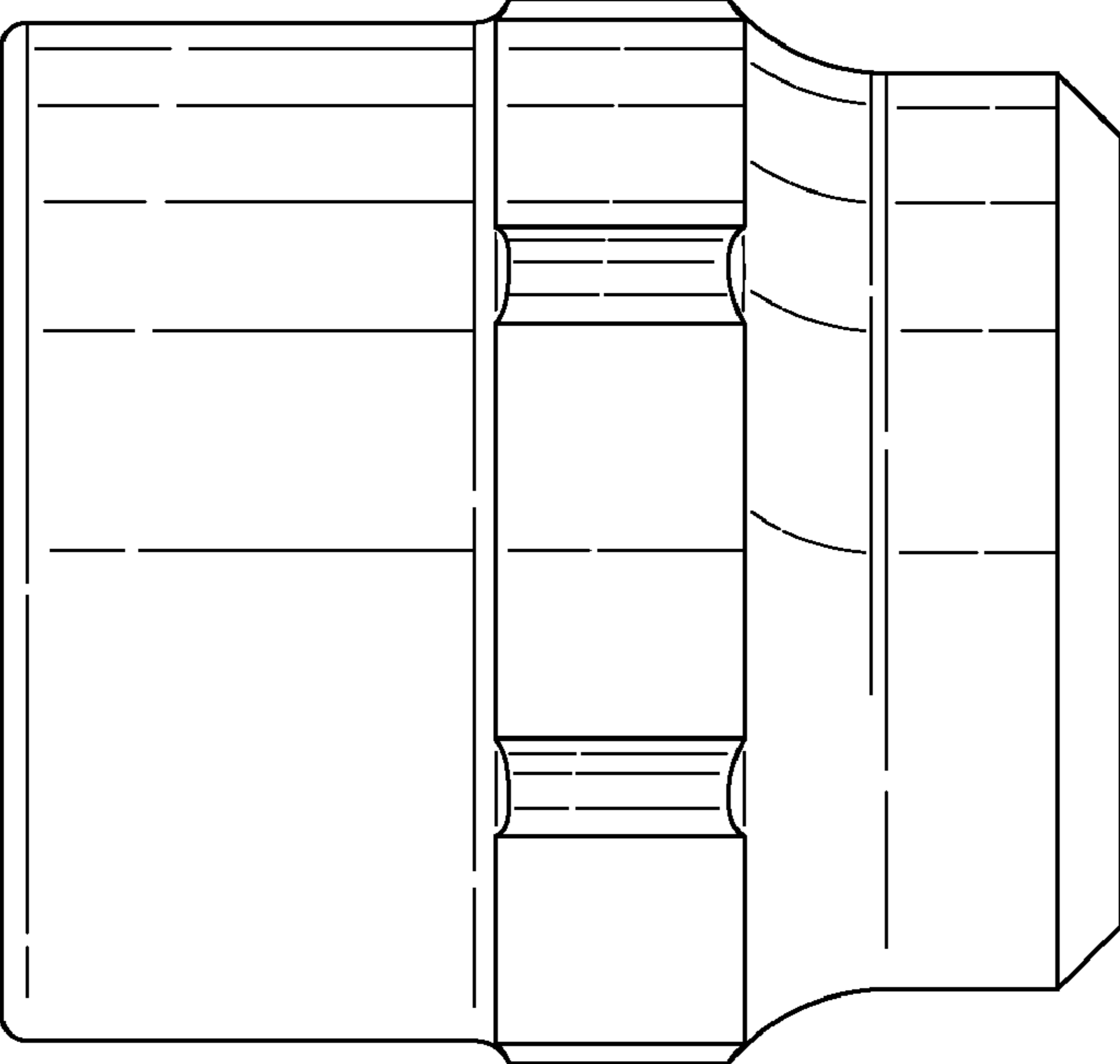


FIG. 2

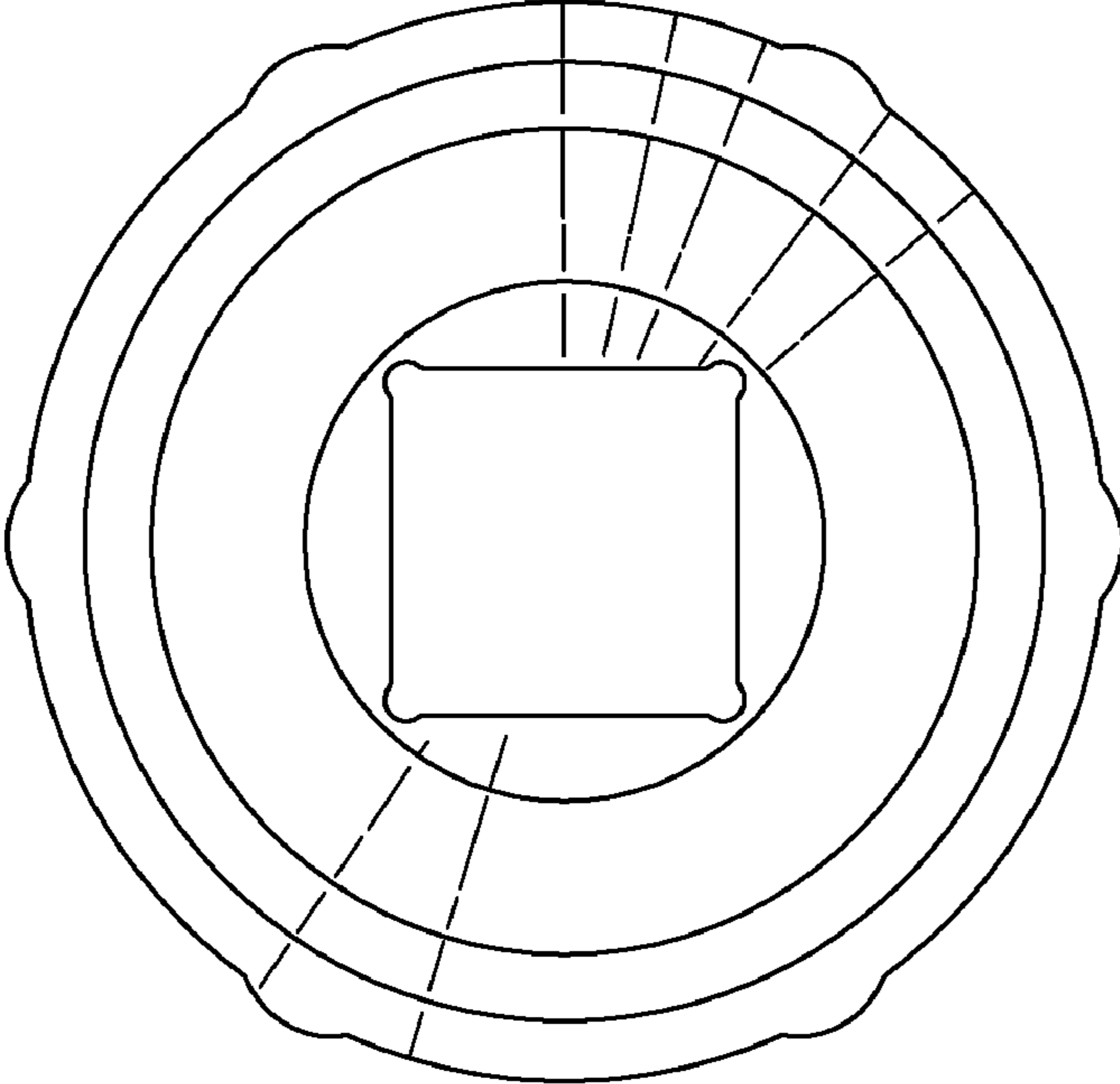


FIG. 5

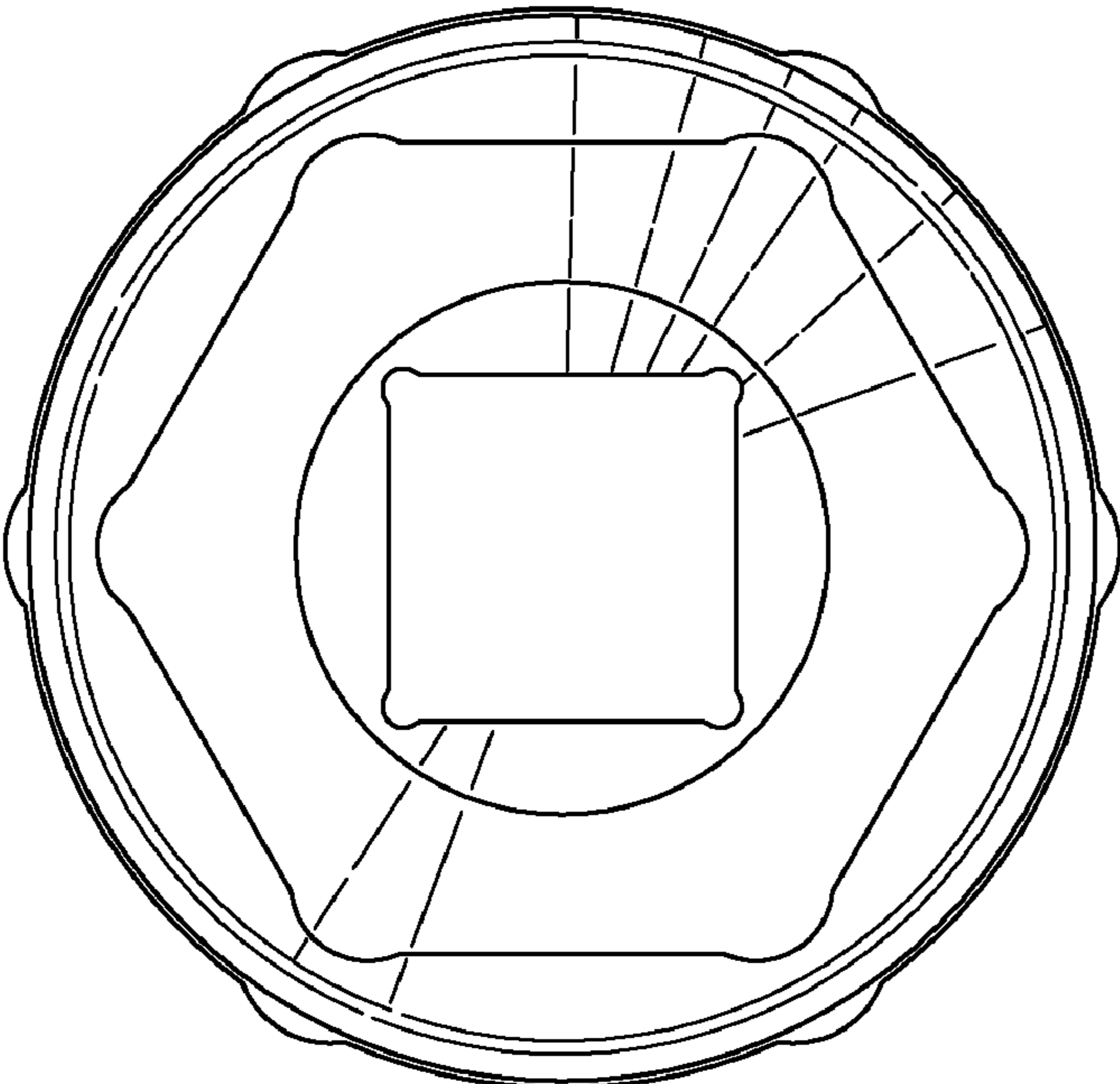


FIG. 4