



US00D637045S

(12) **United States Design Patent**
Davis

(10) **Patent No.:** **US D637,045 S**

(45) **Date of Patent:** **** May 3, 2011**

(54) **INSULATED CONTAINER**

(75) Inventor: **James C. Davis**, Atlanta, GA (US)

(73) Assignee: **James C. Davis**, Atlanta, GA (US)

(**) Term: **14 Years**

(21) Appl. No.: **29/381,174**

(22) Filed: **Dec. 16, 2010**

(51) **LOC (9) Cl.** **07-01**

(52) **U.S. Cl.** **D7/605**

(58) **Field of Classification Search** D7/605-608,
D7/629, 602; 62/457.1-457.9, 371, 372;
220/915.1, 915.2, 592.2, 592.17, 592.16,
220/592.27, 592.22, 592.23, 592.01, 592.02,
220/592.03

See application file for complete search history.

(56) **References Cited**

U.S. PATENT DOCUMENTS

D498,119 S * 11/2004 Martin et al. D7/605
D508,826 S * 8/2005 Bidwell et al. D7/605

D514,893 S * 2/2006 Bellofatto et al. D7/605
D515,361 S * 2/2006 Yuen D7/605
D605,899 S * 12/2009 Meether et al. D7/605

* cited by examiner

Primary Examiner — Terry Wallace

(74) *Attorney, Agent, or Firm* — Thomas, Kayden,
Horstemeyer & Risley, LLP

(57) **CLAIM**

The ornamental design of an insulated container, as shown and described.

DESCRIPTION

FIG. 1 is a perspective view of the insulated container showing my new design.

FIG. 2 is a front elevation view thereof.

FIG. 3 is a rear elevation view thereof.

FIG. 4 is a side elevation view thereof.

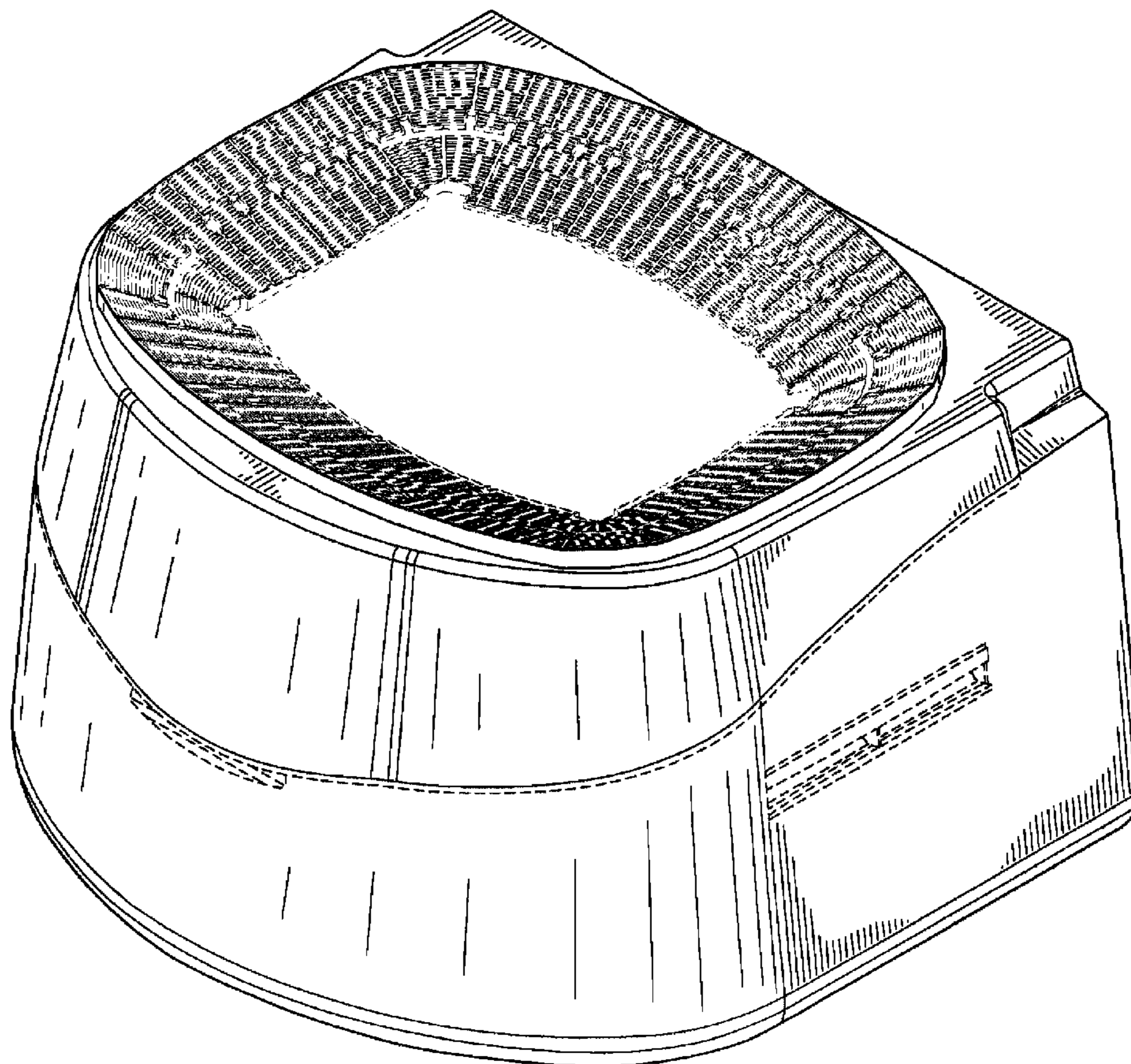
FIG. 5 is a top plan view thereof.

FIG. 6 is a bottom plan view thereof; and,

FIG. 7 is a bottom plan view of the first embodiment of the insulated container.

The broken lines are for illustrative purposes only and form no part of the claimed design.

1 Claim, 7 Drawing Sheets



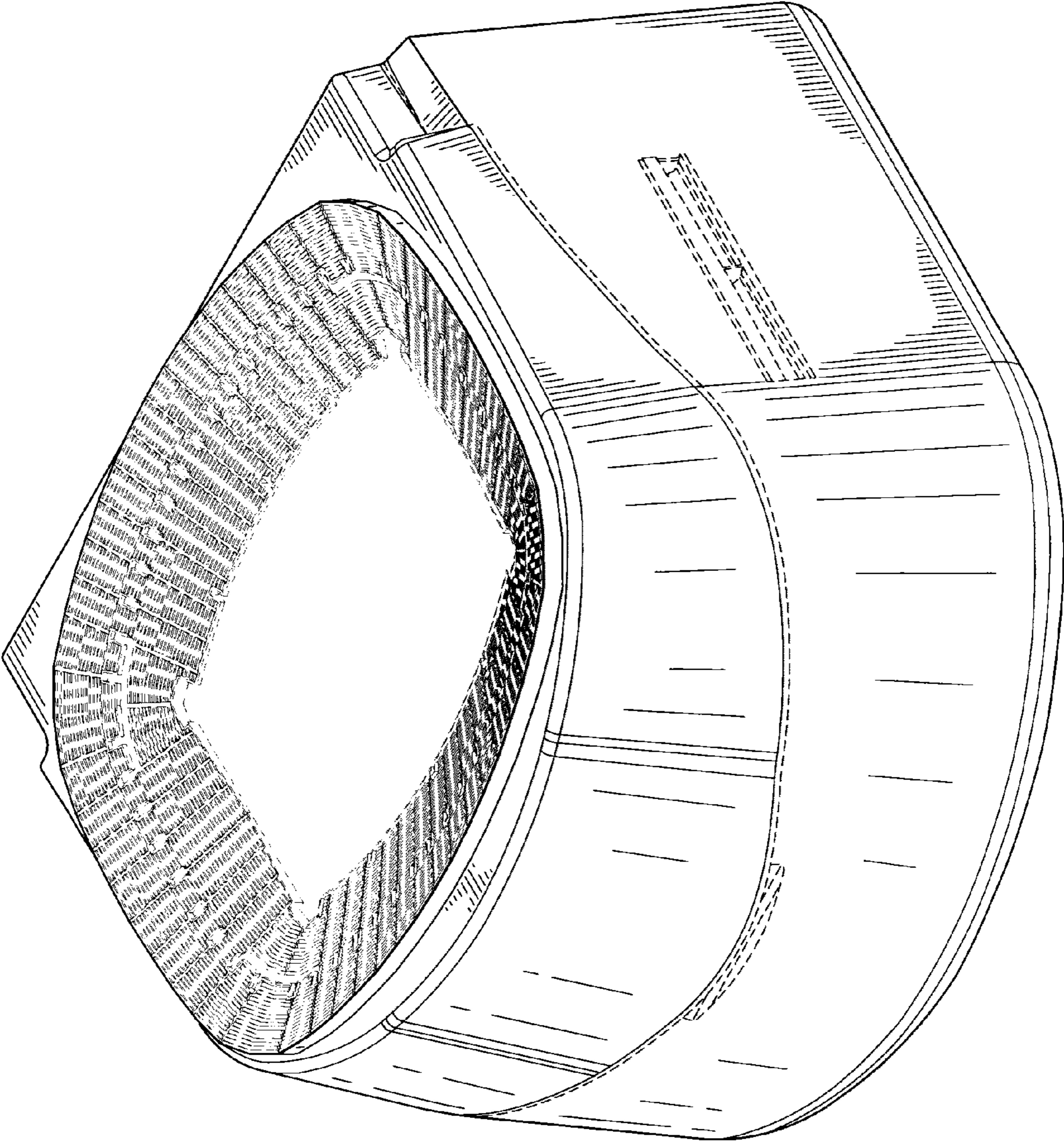


FIG. 1

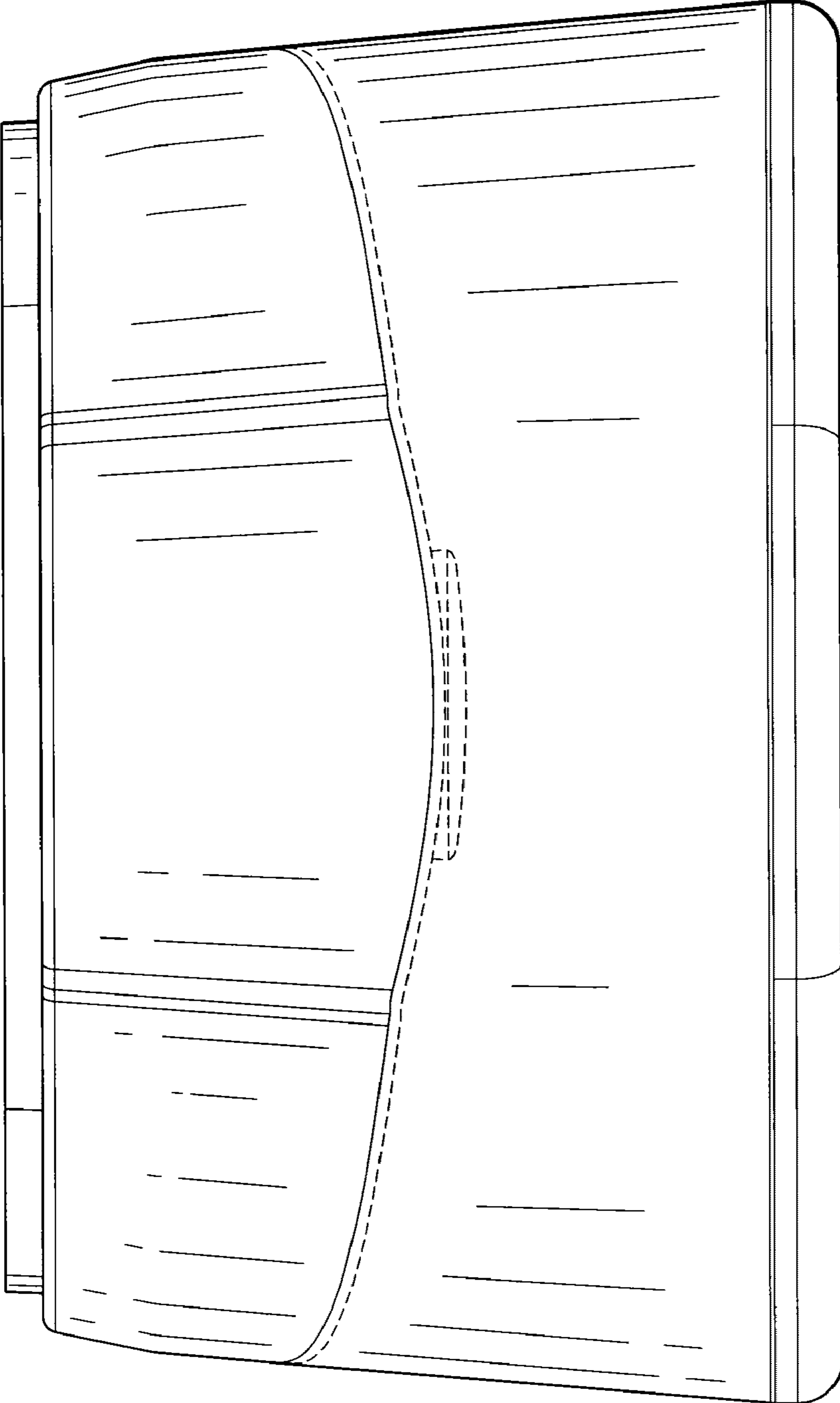


FIG. 2

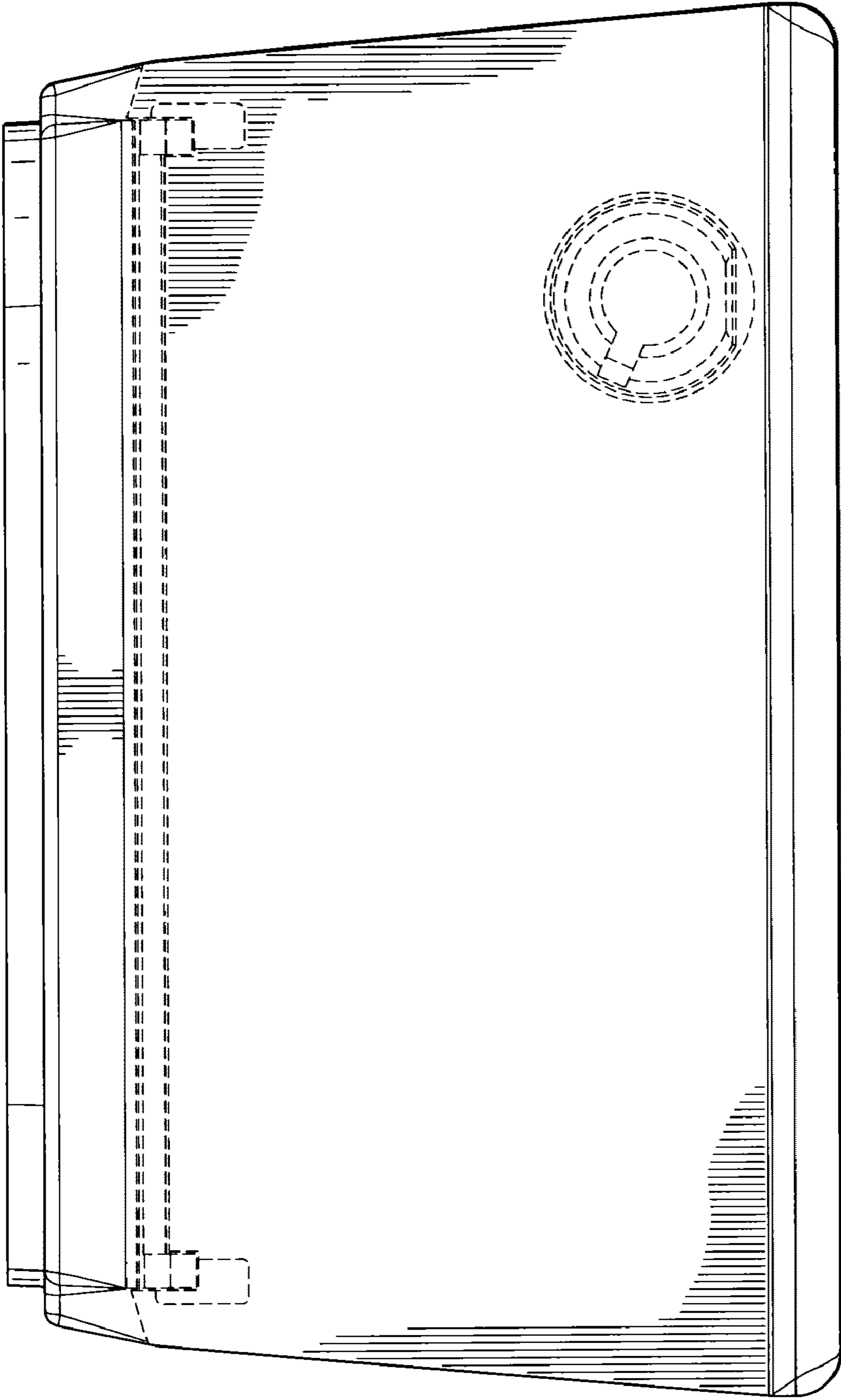


FIG. 3

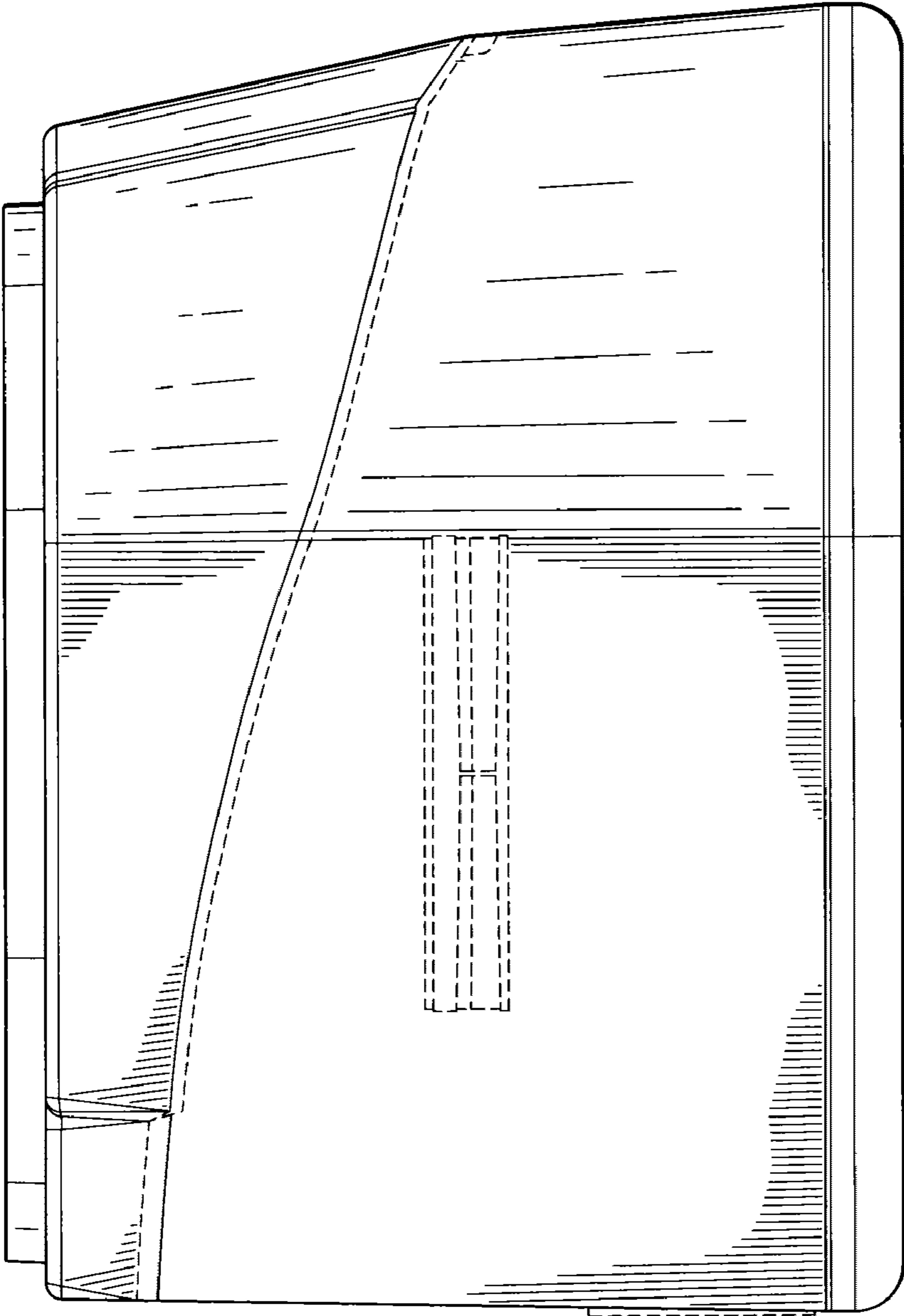


FIG. 4

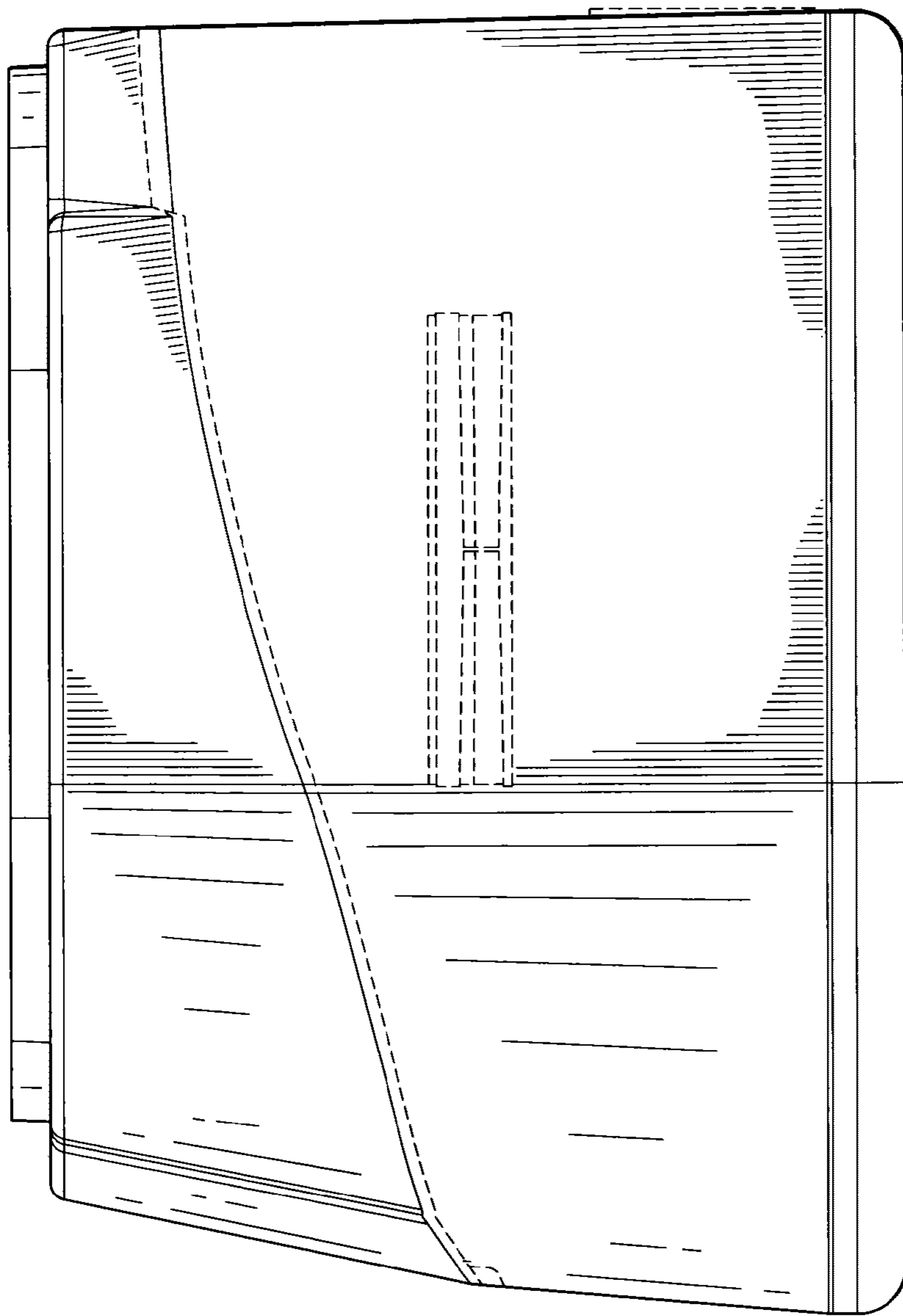


FIG. 5

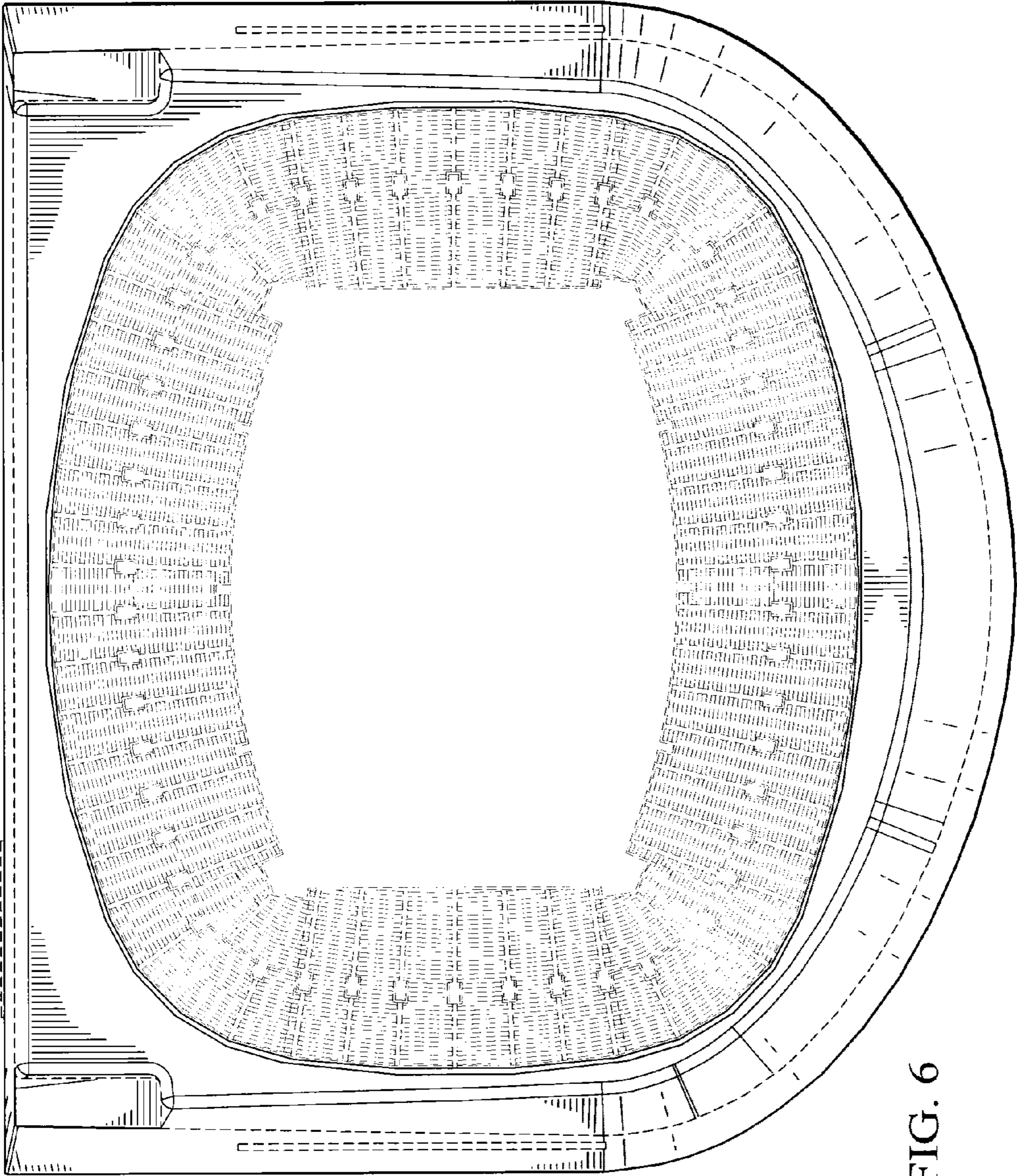


FIG. 6

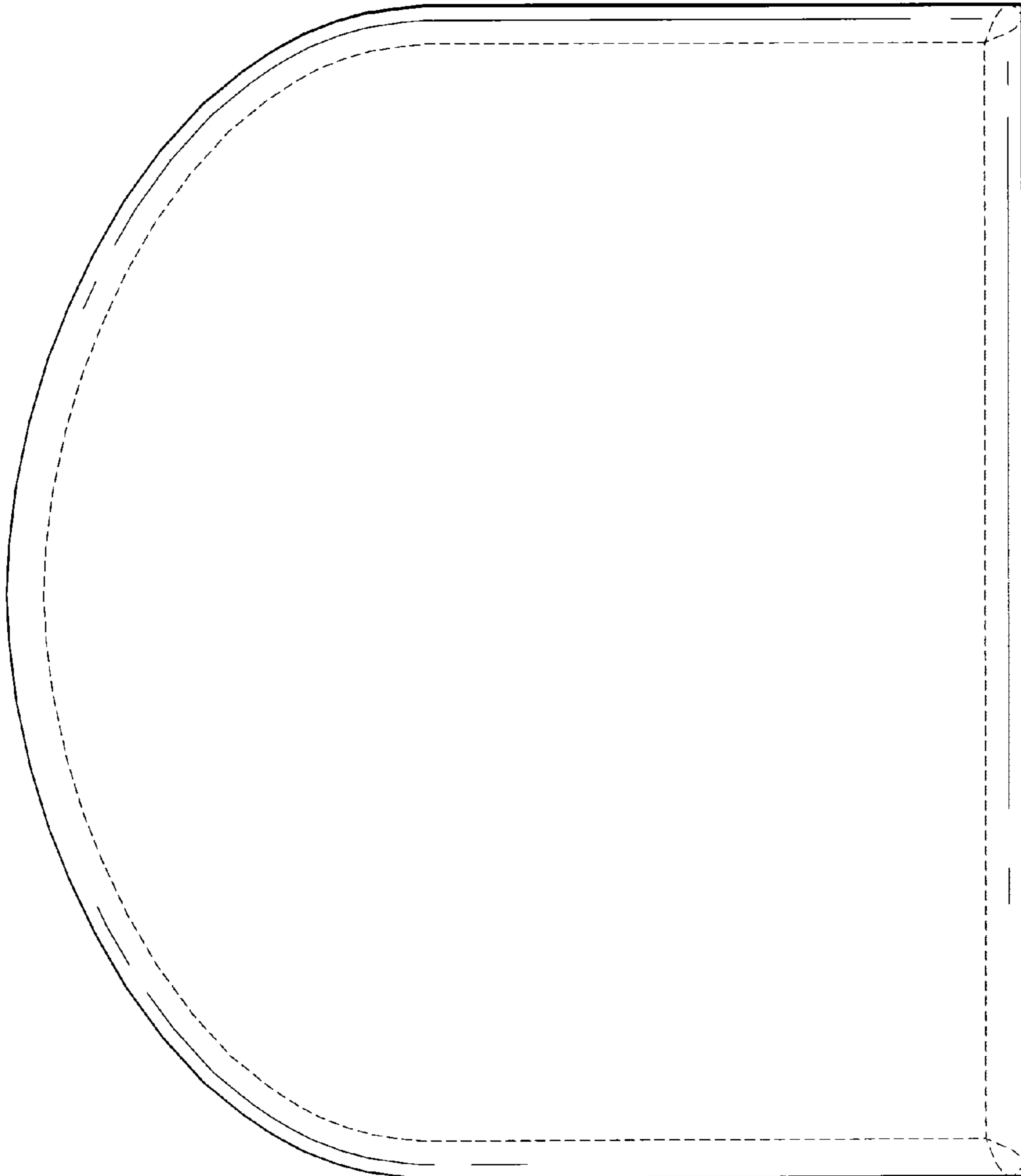


FIG. 7