



US00D637044S

(12) **United States Design Patent**  
**Davis**

(10) **Patent No.:** **US D637,044 S**

(45) **Date of Patent:** **\*\* May 3, 2011**

(54) **INSULATED CONTAINER**

(75) Inventor: **James C. Davis**, Dothan, AL (US)

(73) Assignee: **Cool Works Cup, LLC**, Key Largo, FL (US)

(\*\*) Term: **14 Years**

(21) Appl. No.: **29/359,991**

(22) Filed: **Apr. 19, 2010**

(51) **LOC (9) Cl.** ..... **07-01**

(52) **U.S. Cl.** ..... **D7/605**

(58) **Field of Classification Search** ..... D7/605-608,  
D7/629, 602; 62/457.1-457.9, 371, 372;  
220/915.1, 915.2, 592.2, 592.01, 592.02,  
220/592.03, 592.17

See application file for complete search history.

(56) **References Cited**

**U.S. PATENT DOCUMENTS**

D514,893 S *	2/2006	Bellofatto et al.	.....	D7/605
D515,361 S *	2/2006	Yuen	.....	D7/605
D605,899 S *	12/2009	Meether et al.	.....	D7/605
2008/0302126 A1 *	12/2008	Falkenberg	.....	62/457.1

\* cited by examiner

*Primary Examiner* — Terry Wallace

(74) *Attorney, Agent, or Firm* — Thomas, Kayden, Horstemeyer & Risley, LLP

(57) **CLAIM**

The ornamental design of an insulated container, as shown and described.

**DESCRIPTION**

FIG. 1 is a perspective view of a first embodiment of the insulated container;

FIG. 2 is a side elevational view of the first embodiment of the insulated container;

FIG. 3 is a front elevational view of the first embodiment of the insulated container;

FIG. 4 is a top plan view of the first embodiment of the insulated container;

FIG. 5 is a rear elevational view of the first embodiment of the insulated container;

FIG. 6 is a perspective view of a second embodiment of the insulated container;

FIG. 7 is a side elevational view of the second embodiment of the insulated container;

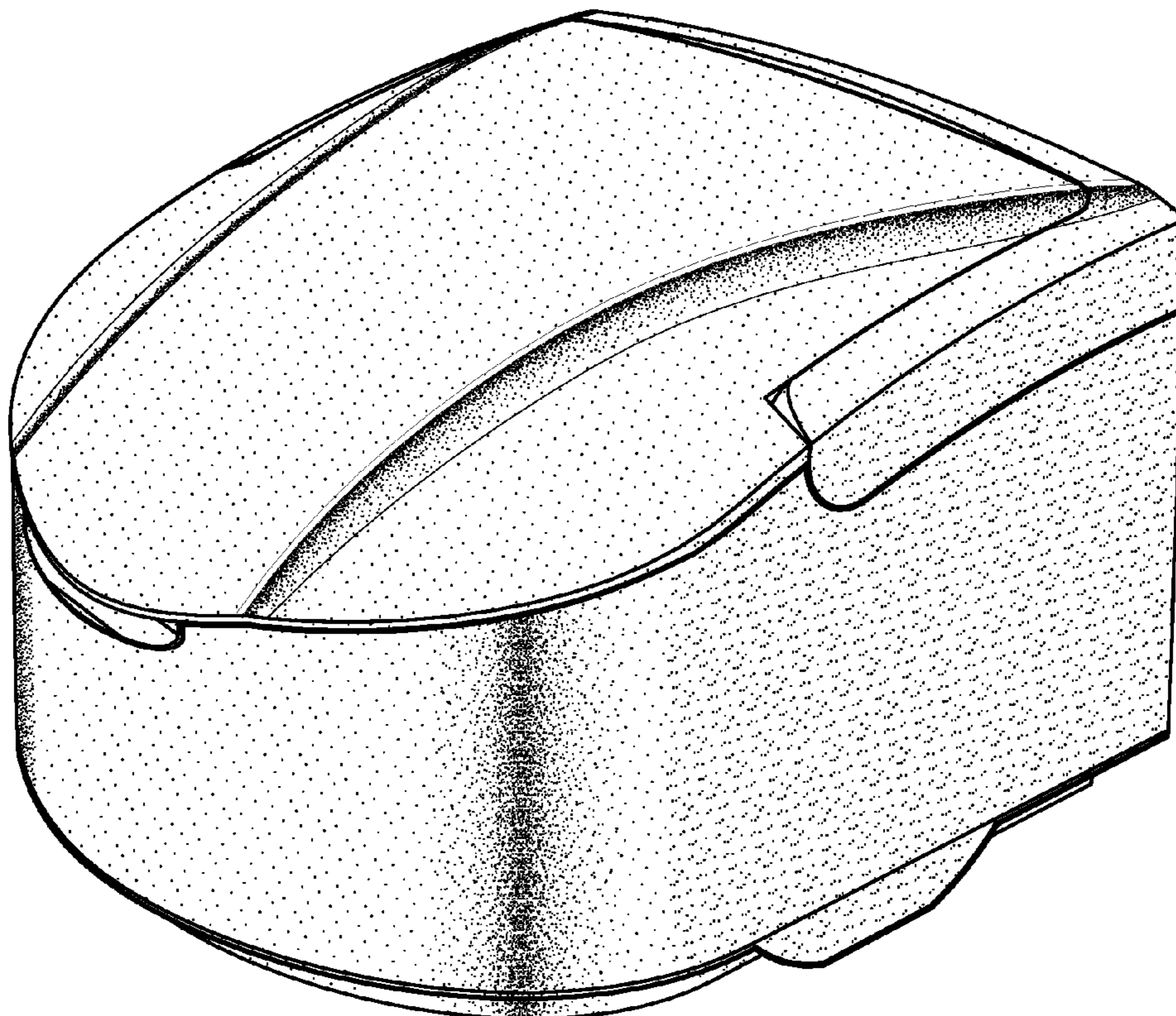
FIG. 8 is a front elevational view of the second embodiment of the insulated container;

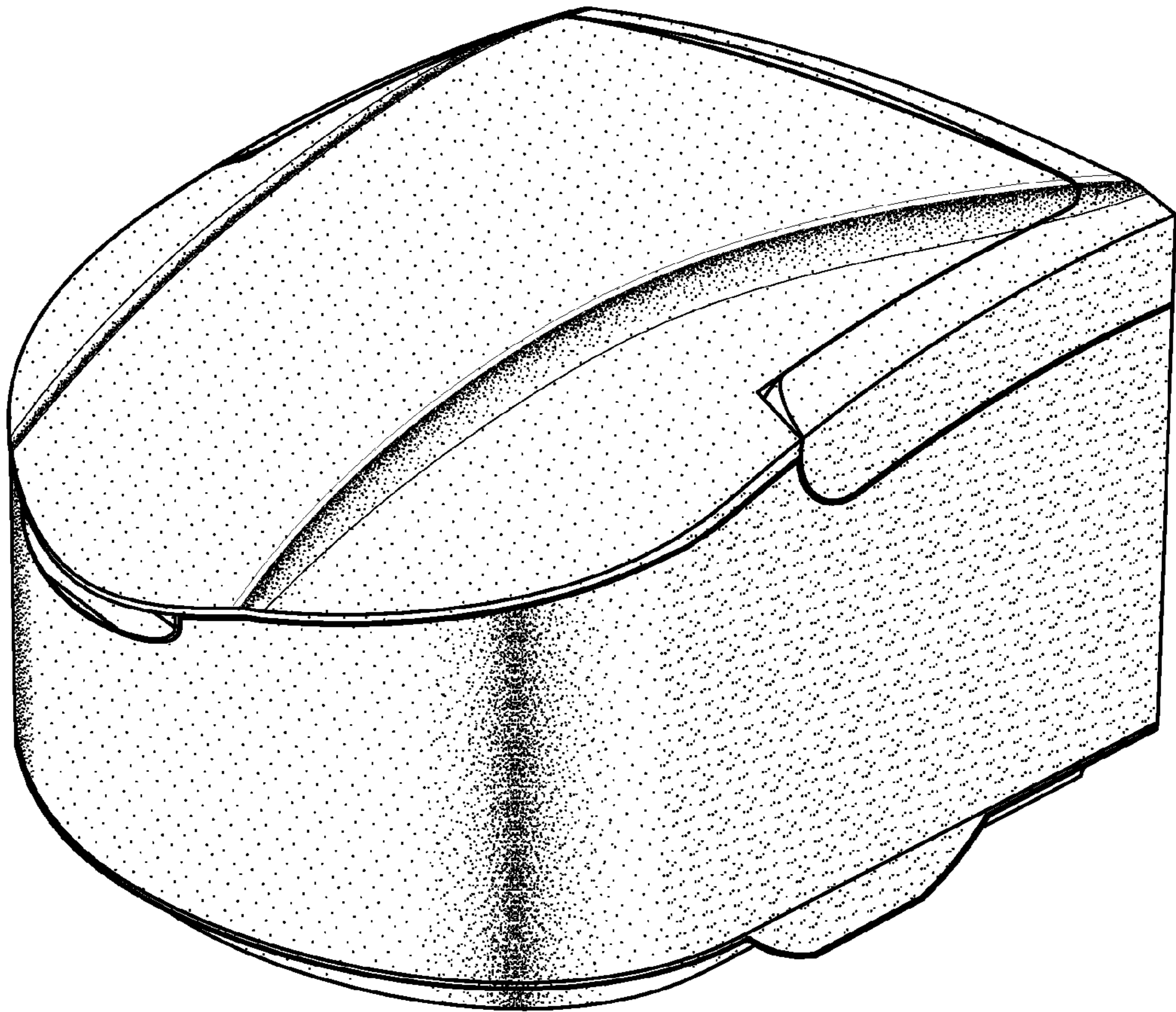
FIG. 9 is a top plan view of the second embodiment of the insulated container; and,

FIG. 10 is a rear elevational view of the second embodiment of the insulated container.

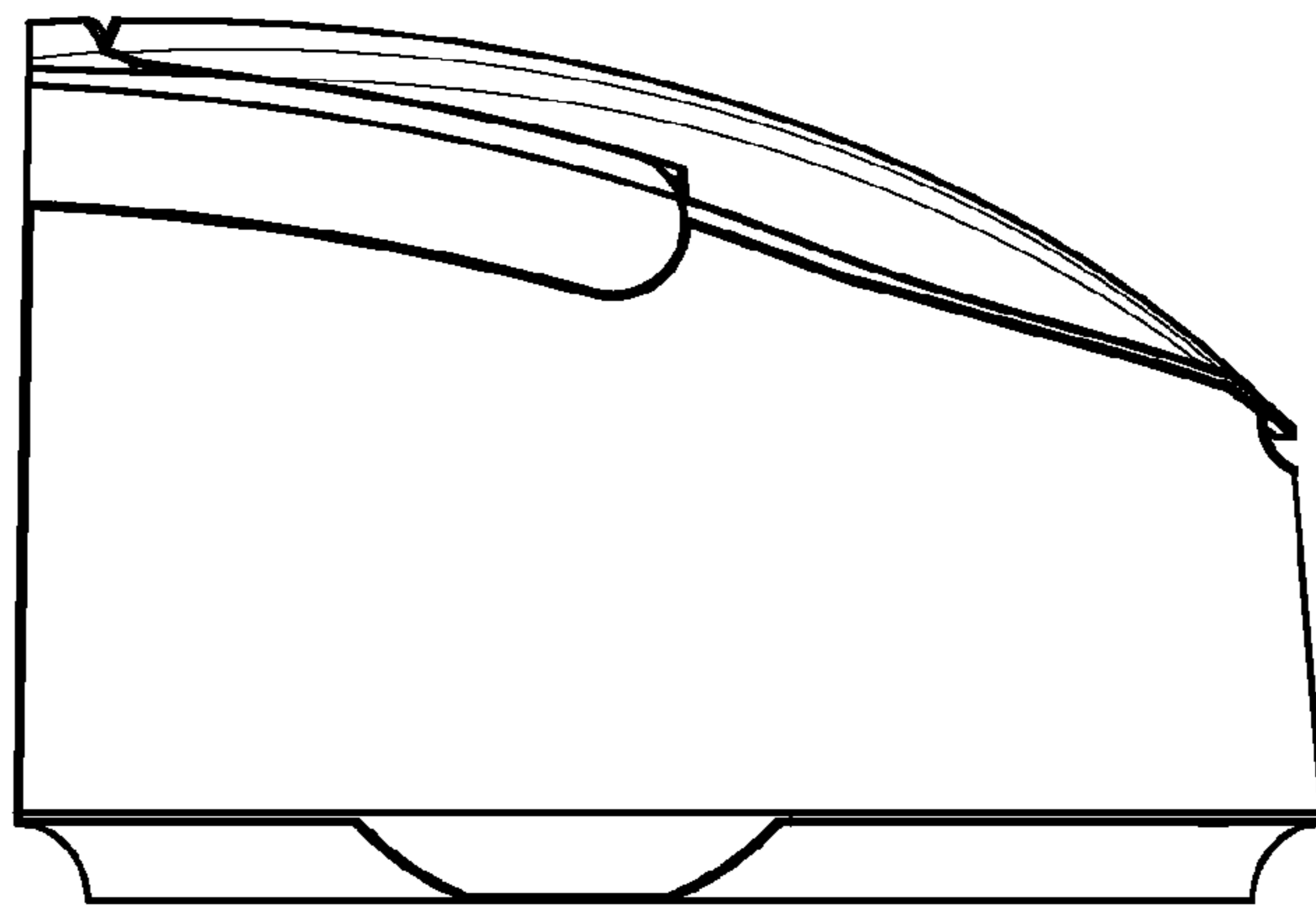
The broken lines are for illustrative purposes only and form no part of the claimed design.

**1 Claim, 4 Drawing Sheets**

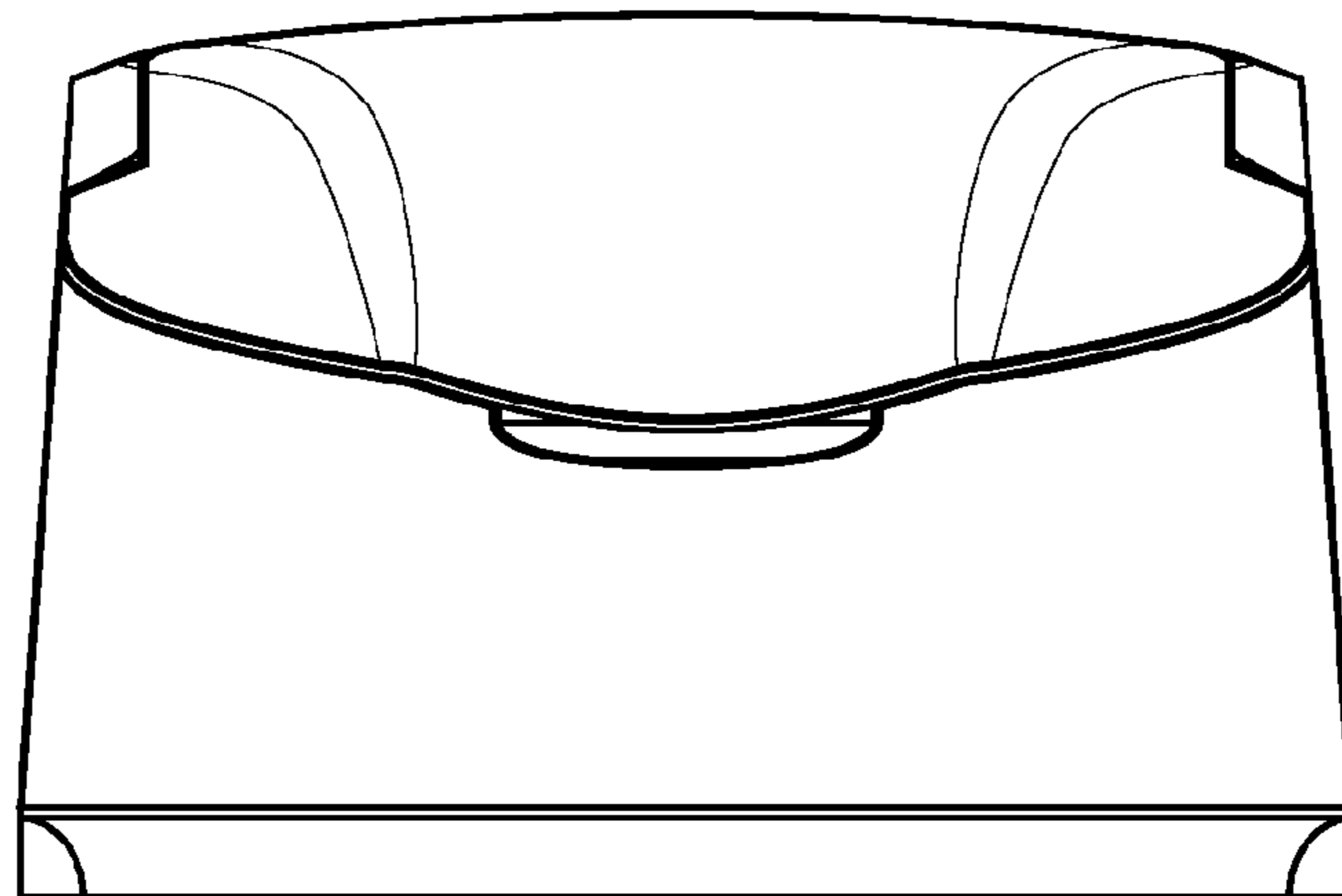




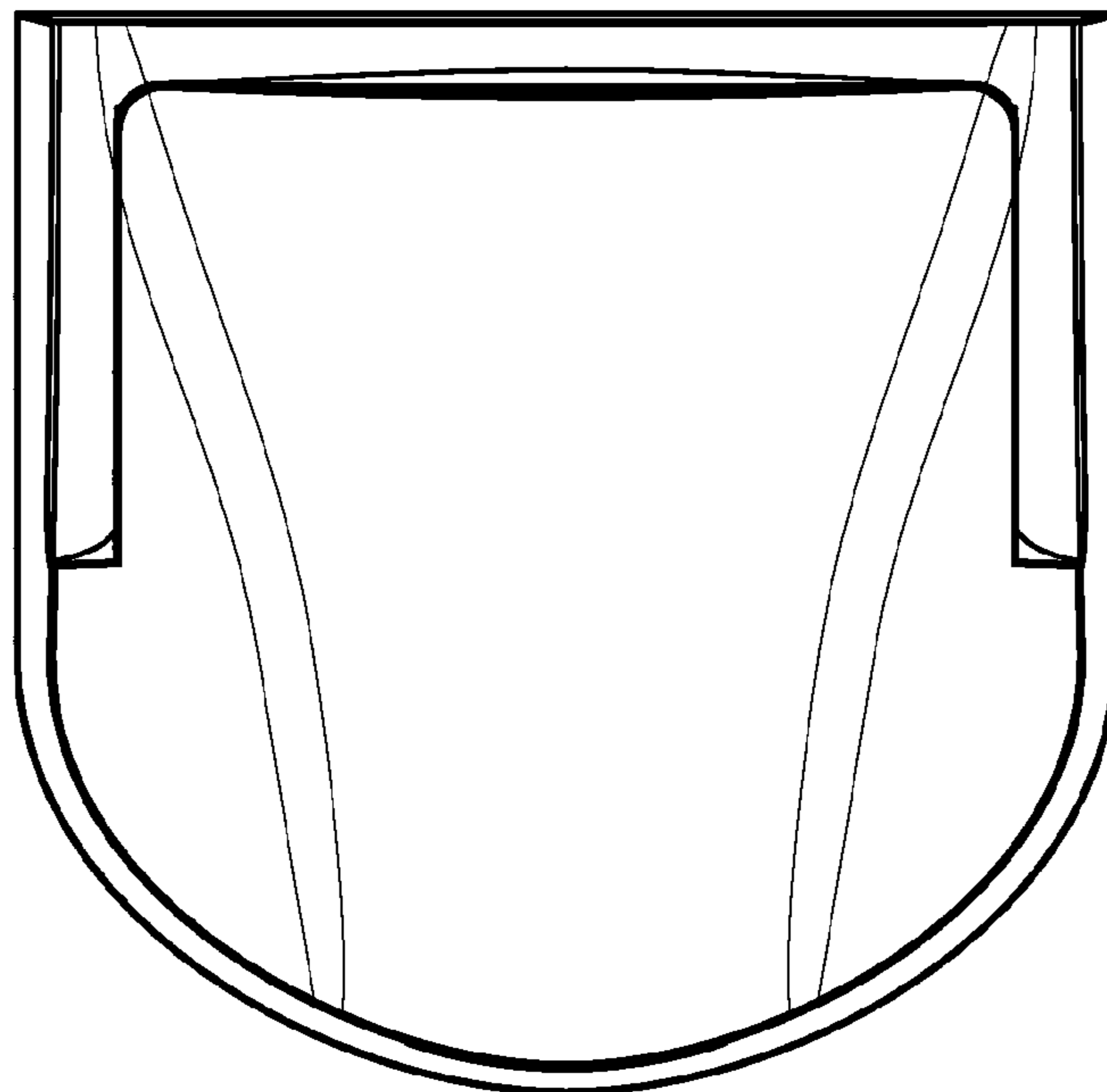
**FIG. 1**



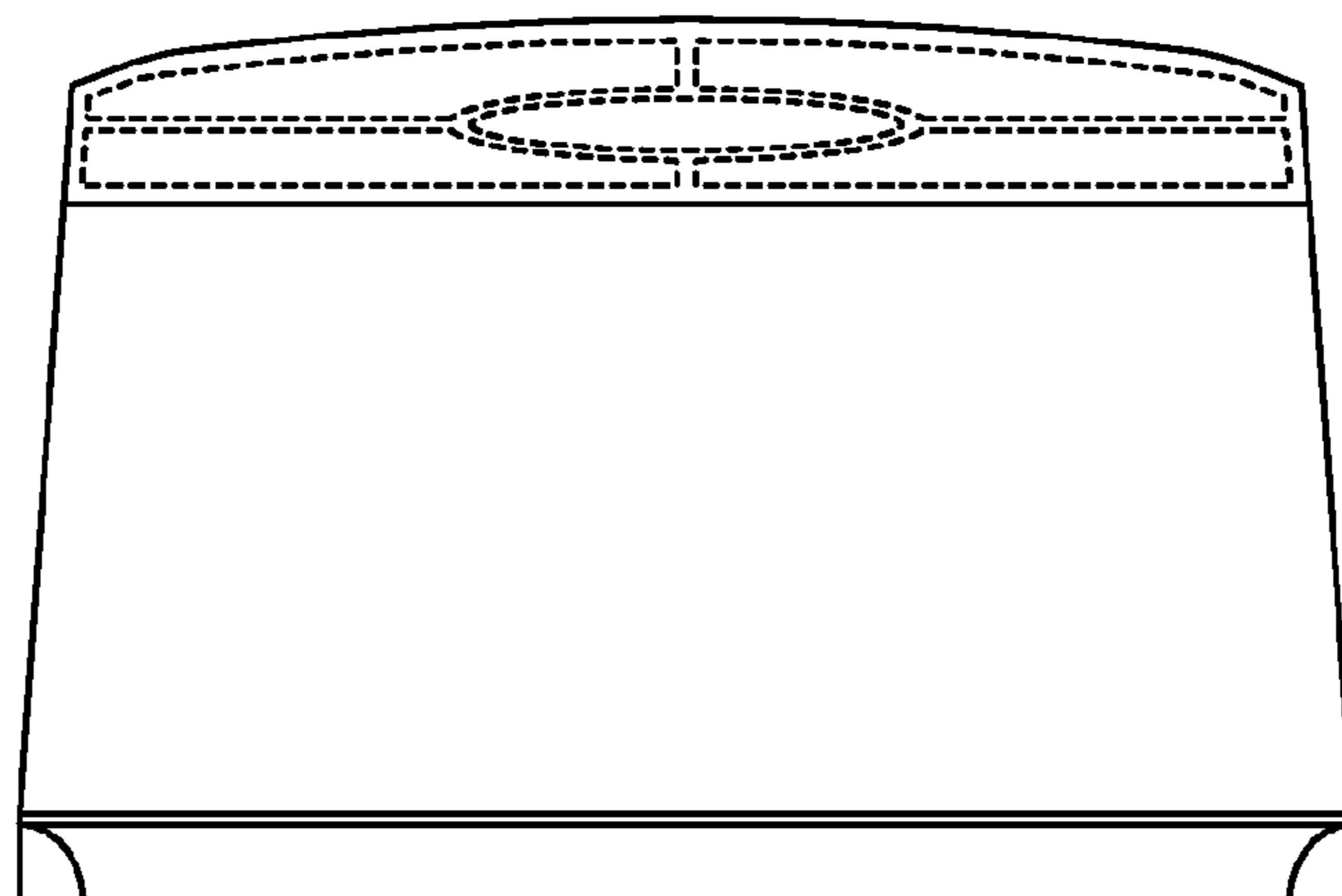
**FIG. 2**



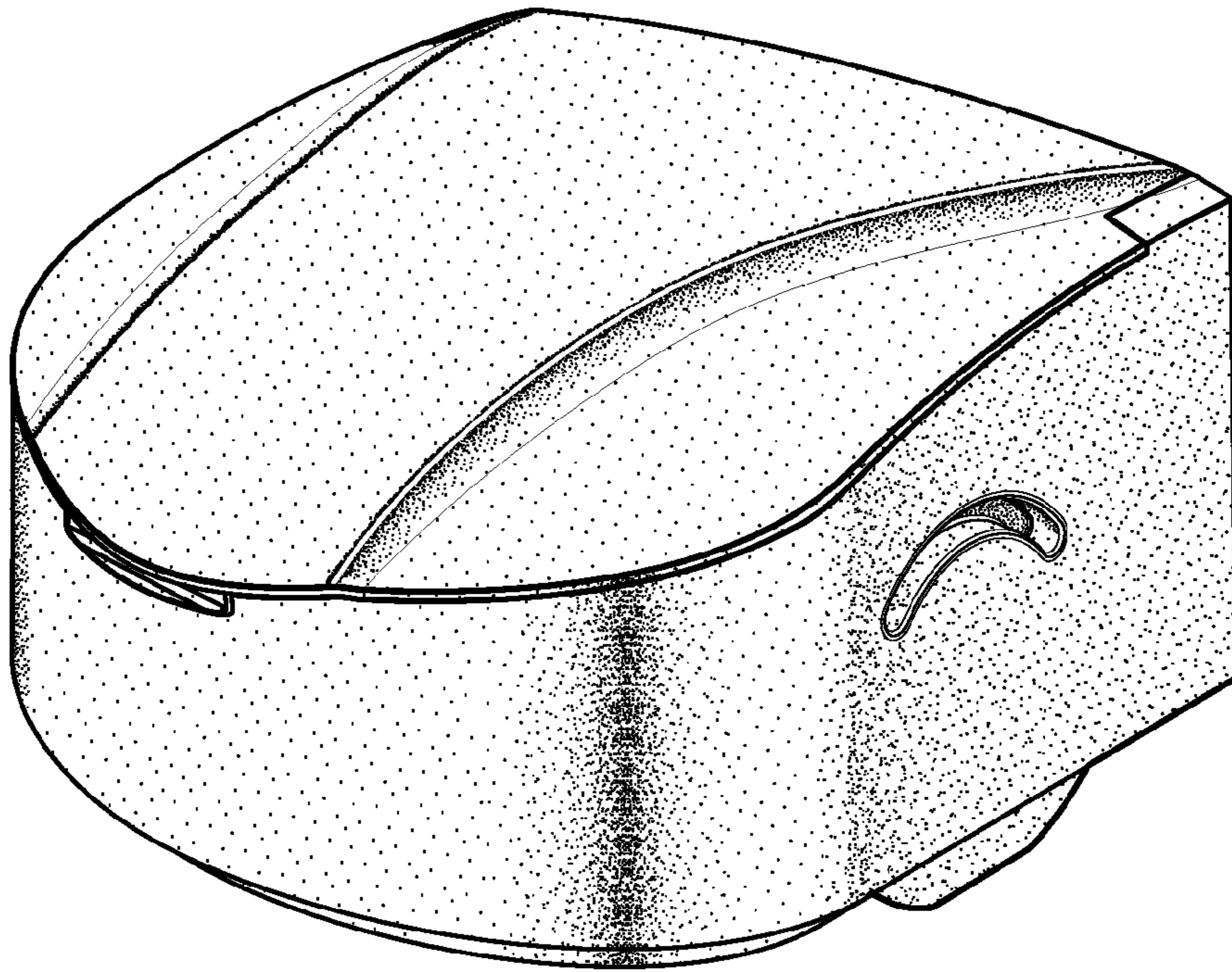
**FIG. 3**



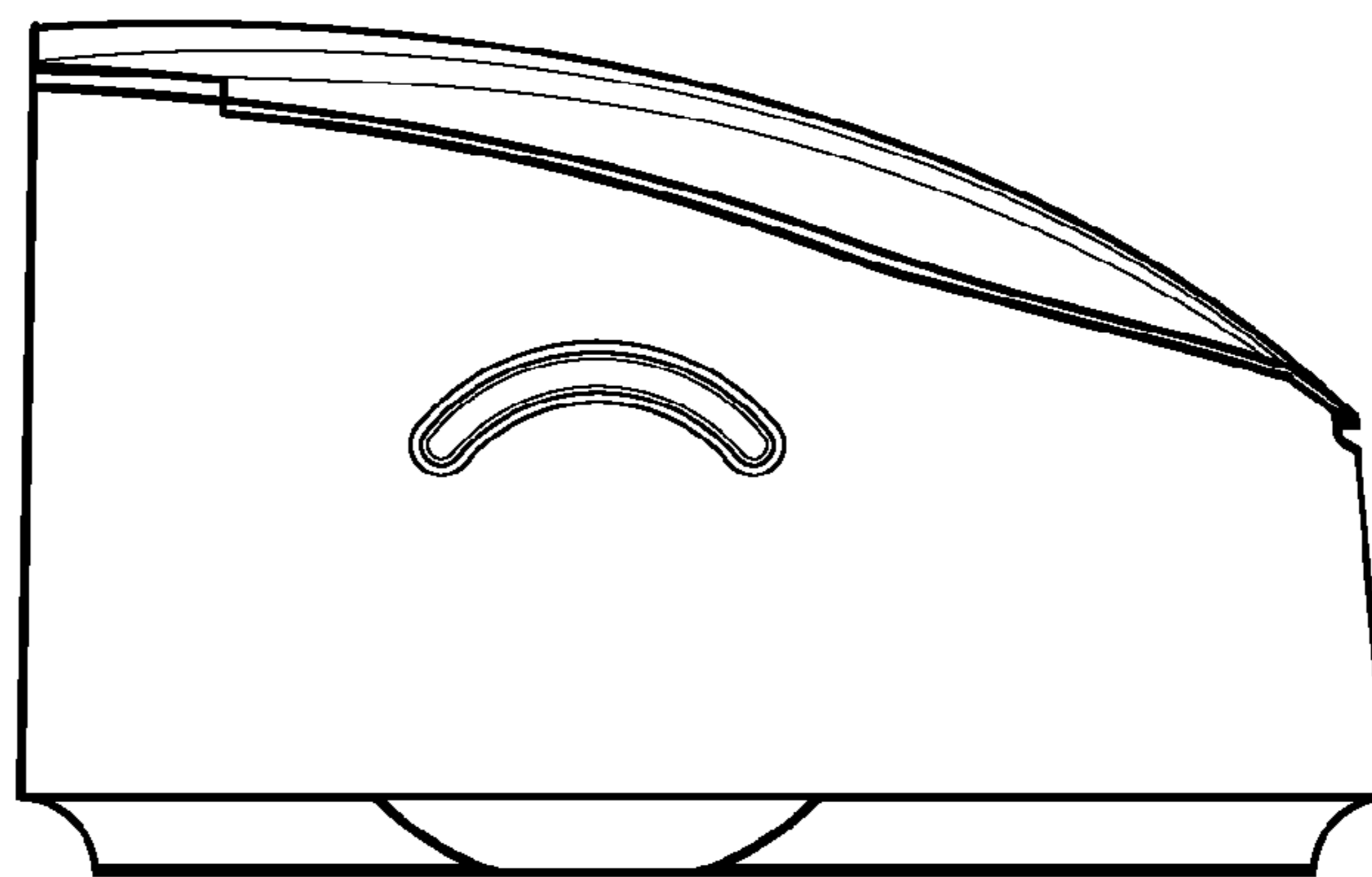
**FIG. 4**



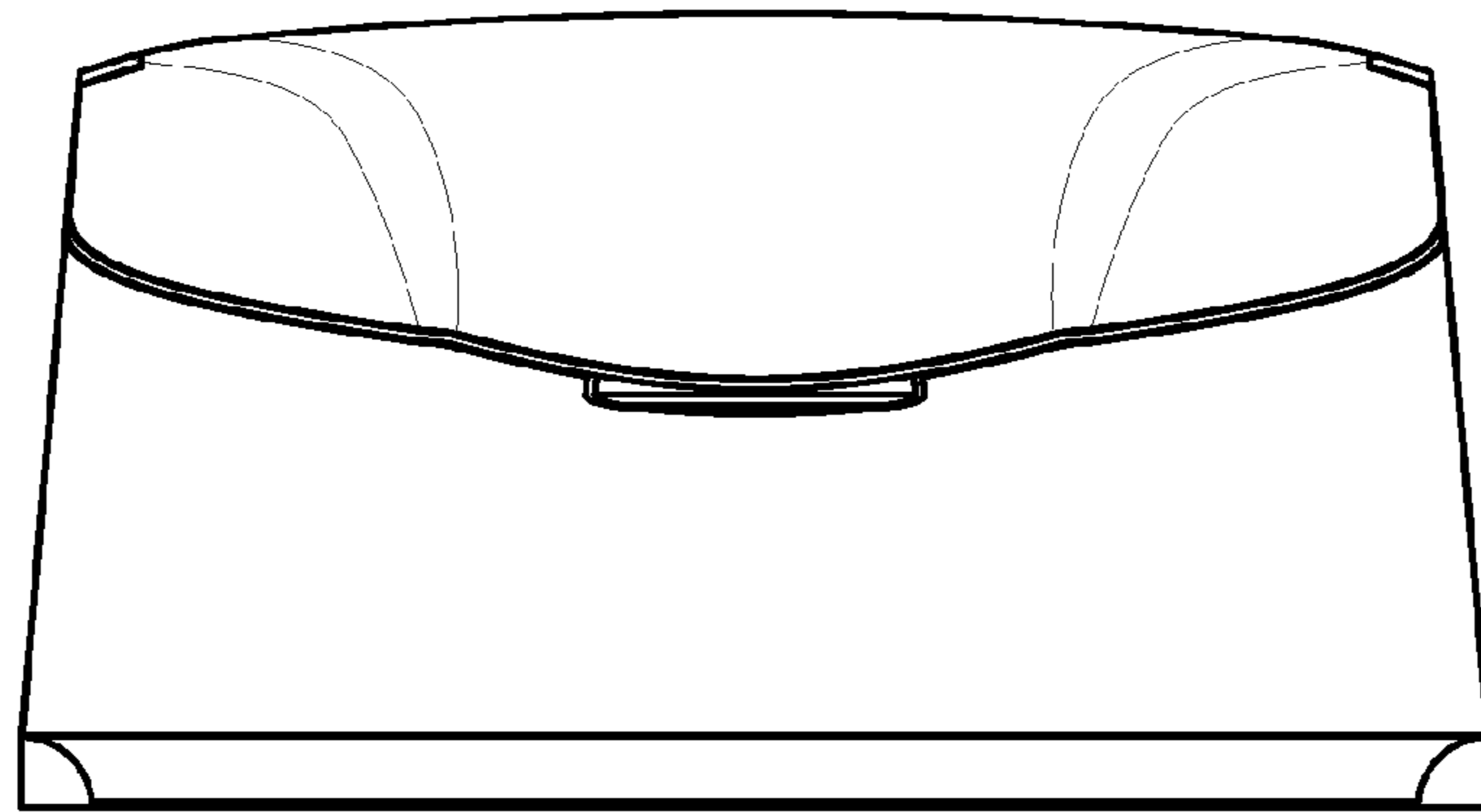
**FIG. 5**



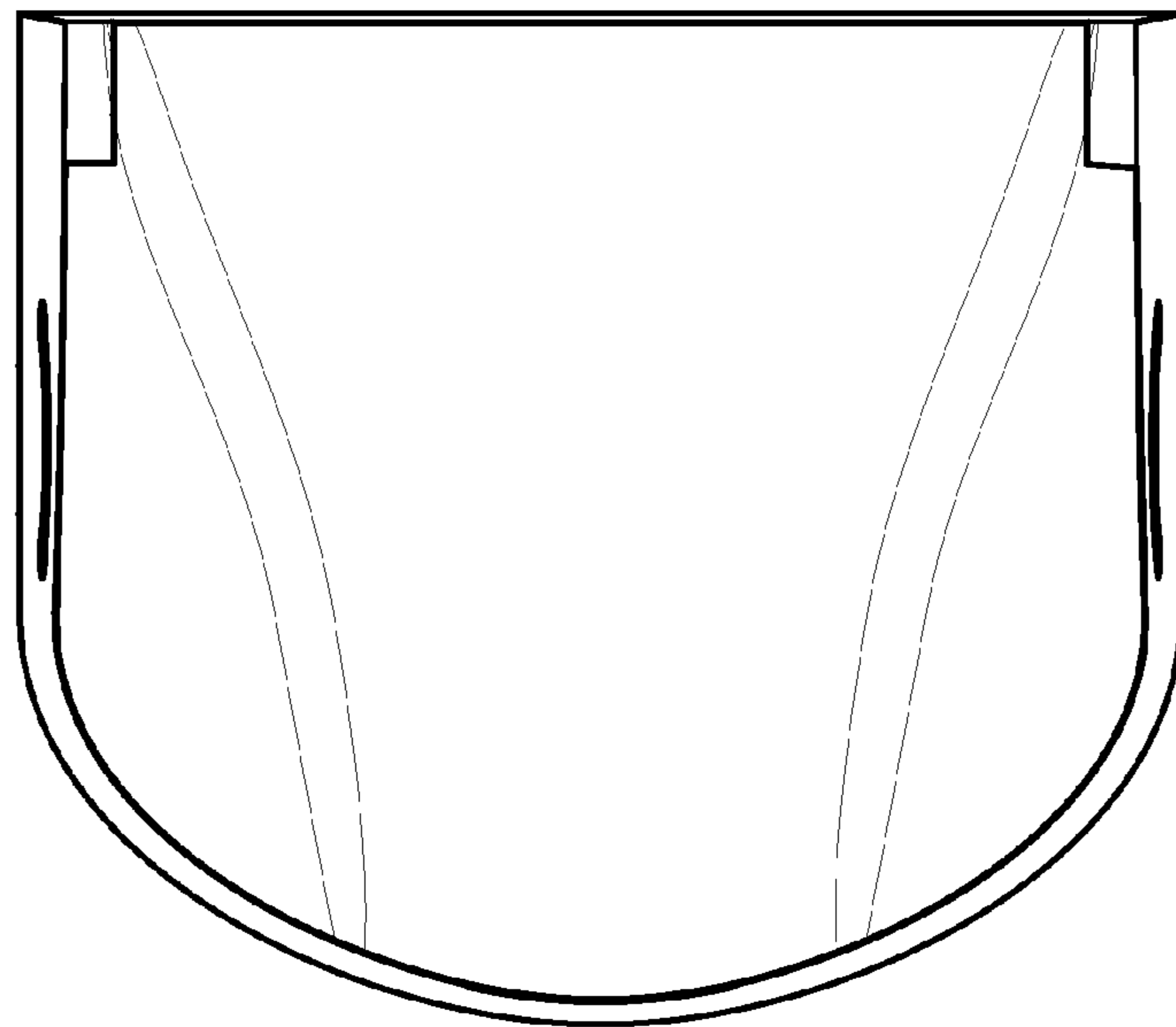
**FIG. 6**



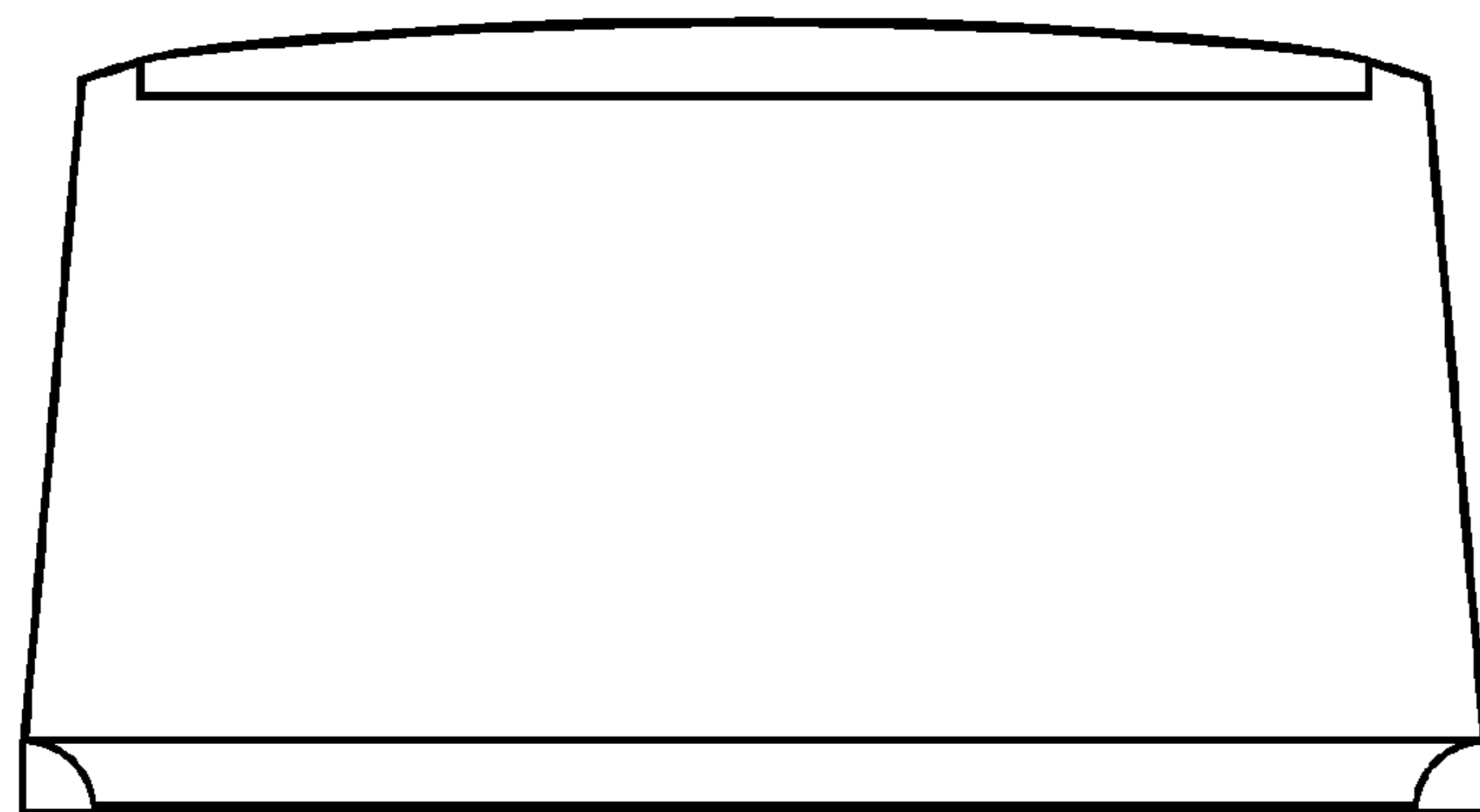
**FIG. 7**



**FIG. 8**



**FIG. 9**



**FIG. 10**