



US00D637043S

(12) **United States Design Patent**
Baquero

(10) **Patent No.:** **US D637,043 S**

(45) **Date of Patent:** **** May 3, 2011**

(54) **FOLDABLE FRUIT HOLDER**

Primary Examiner — Terry A Wallace

(76) Inventor: **Pablo Baquero**, Plantation, FL (US)

(57) **CLAIM**

The ornamental design for a foldable fruit holder, as shown and described.

(**) Term: **14 Years**

DESCRIPTION

(21) Appl. No.: **29/377,373**

(22) Filed: **Oct. 20, 2010**

(51) **LOC (9) Cl.** **07-06**

(52) **U.S. Cl.** **D7/601**

(58) **Field of Classification Search** D7/601,
D7/600.1–600.4, 368, 669, 701, 704; D6/449,
D6/462, 466, 546; 211/13.1, 85.4, 181.1;
248/116, 176.1, 125.1, 121, 175

See application file for complete search history.

FIG. 1 is a perspective view of the foldable fruit holder of the instant invention depicting hanging bananas;

FIG. 2 is a front right perspective view of the foldable fruit holder of the instant invention;

FIG. 3 is a right side plane view thereof, not shown is the left side which forms a mirror image of the right side;

FIG. 4 is a front plane view thereof;

FIG. 5 is a bottom plane view thereof;

FIG. 6 is a top plane view thereof;

FIG. 7 is a top perspective view depicting the hanger post in a storage position;

FIG. 8 is a bottom perspective view depicting the hanger post in a storage position;

FIG. 9 is a top plane view depicting the hanger post in a storage position;

FIG. 10 is a right side view depicting the hanger post in a storage position; and,

FIG. 11 is a bottom plane view depicting the hanger post in a storage position.

The broken lines showing the bananas in FIG. 1 are for illustrative purposes only and form no part of the claimed design.

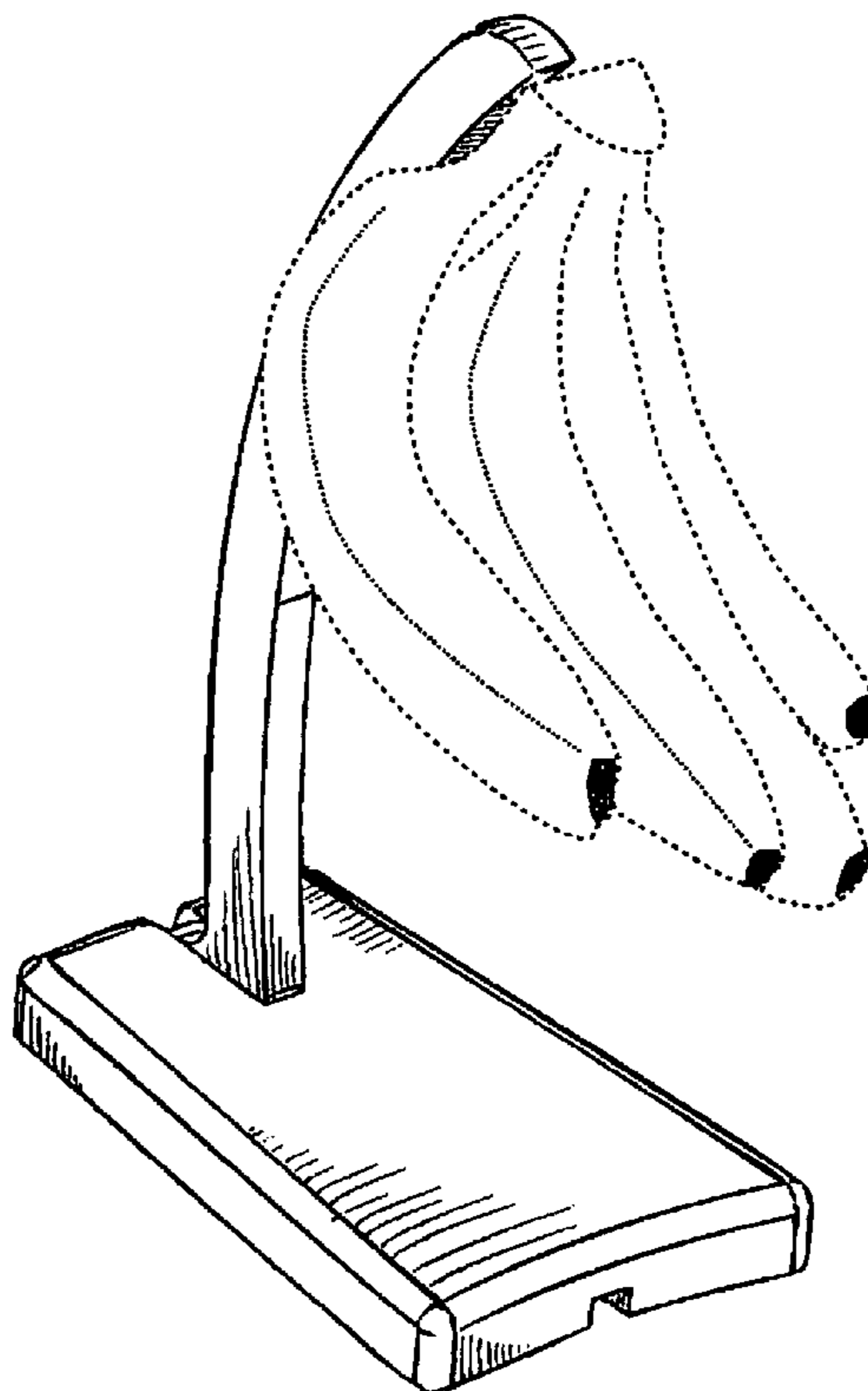
(56) **References Cited**

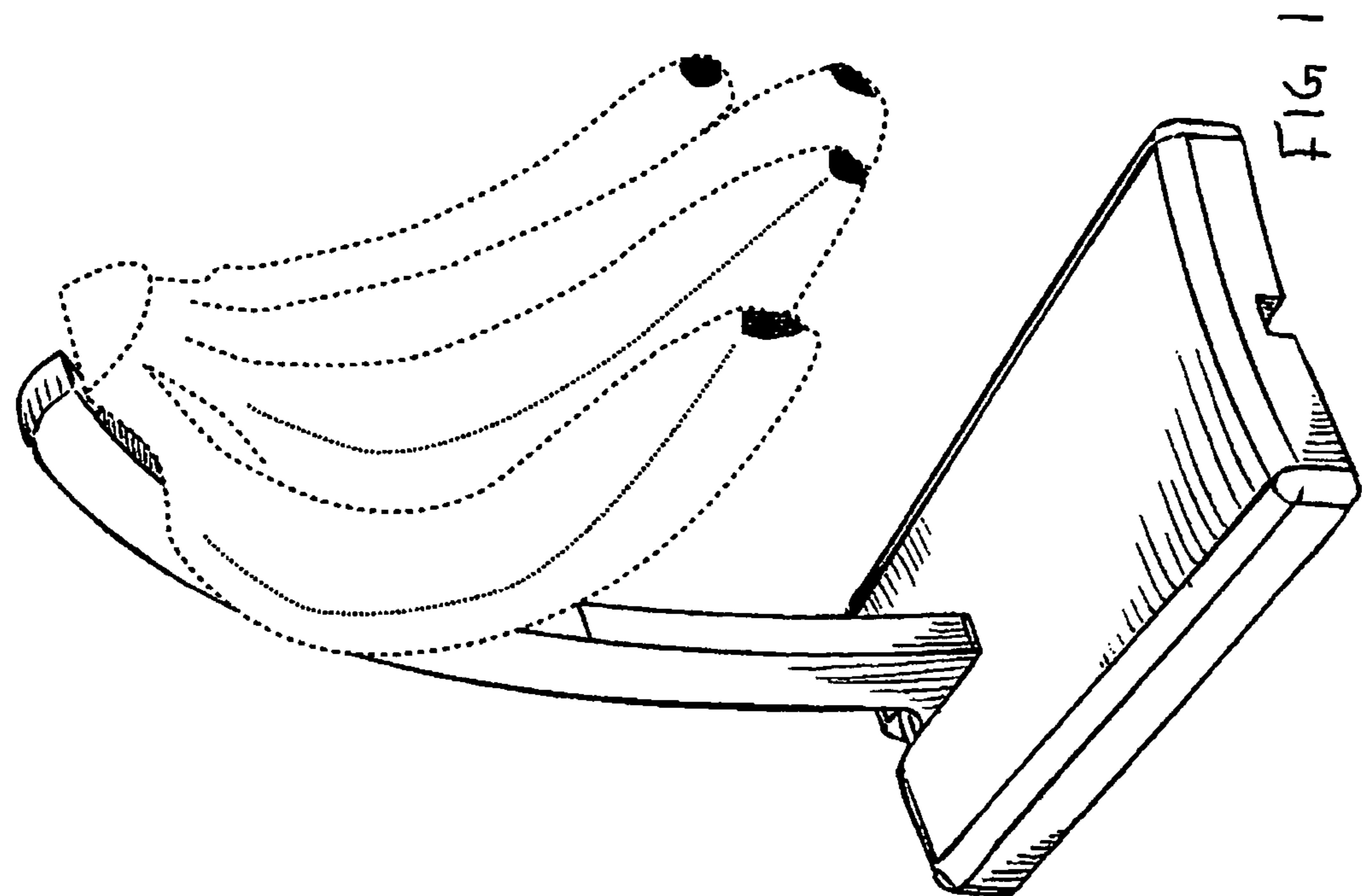
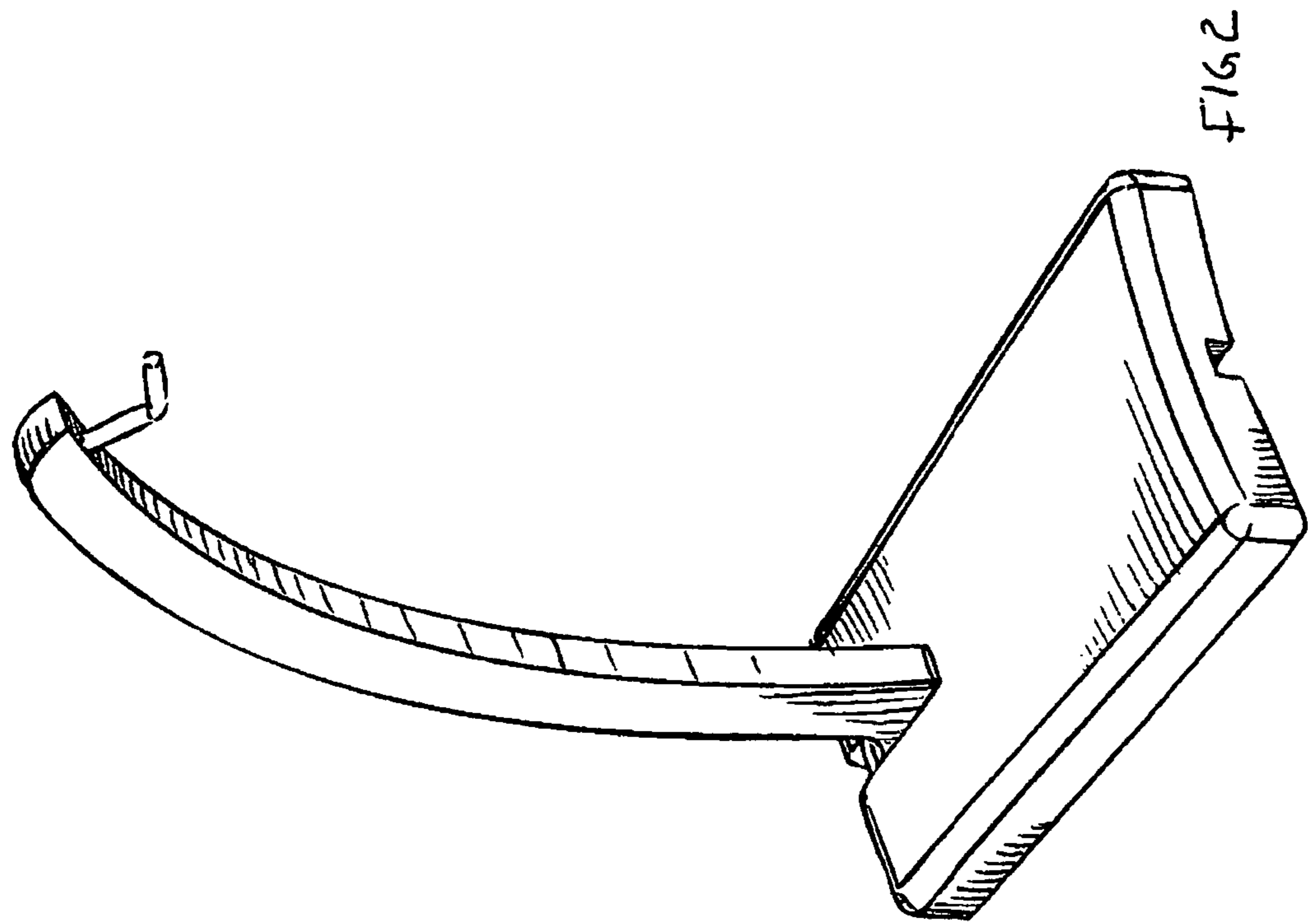
U.S. PATENT DOCUMENTS

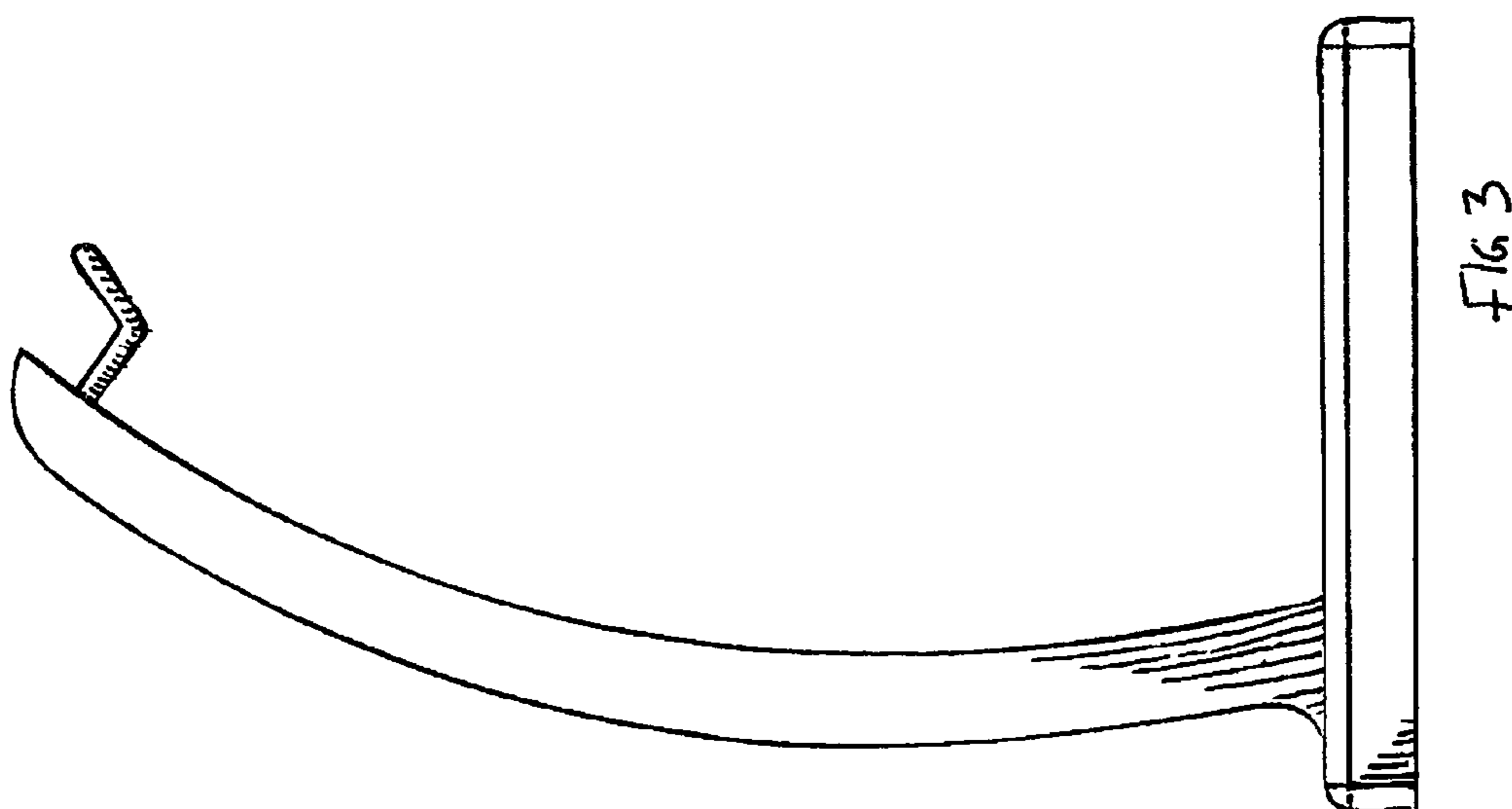
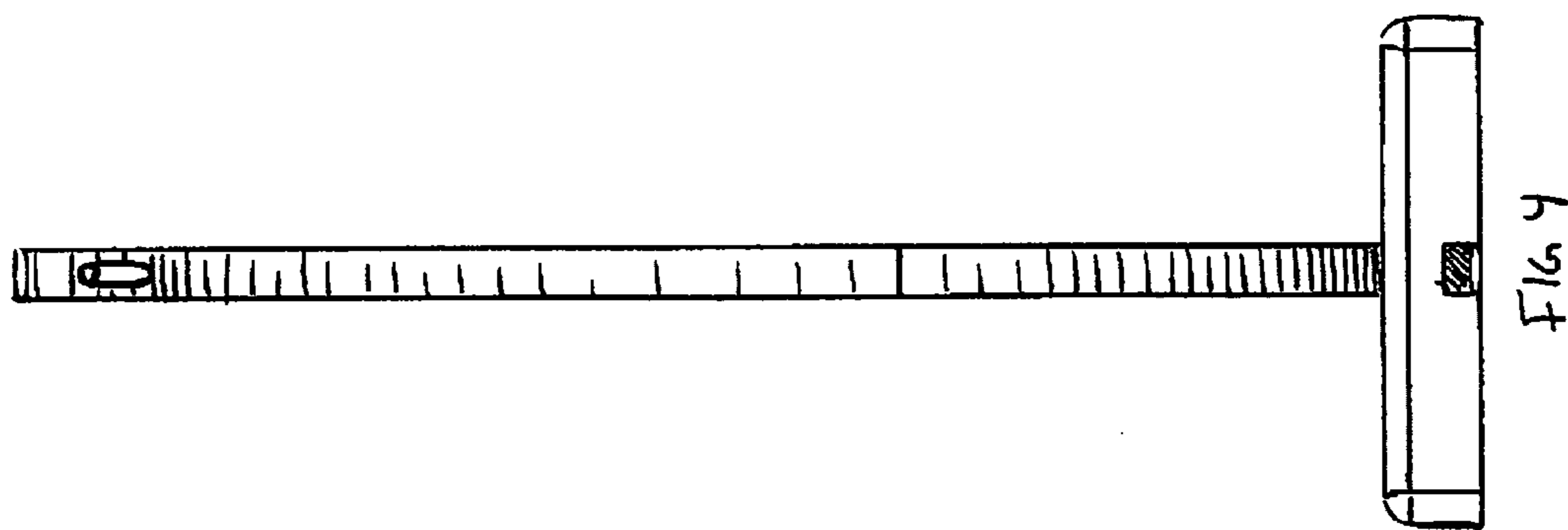
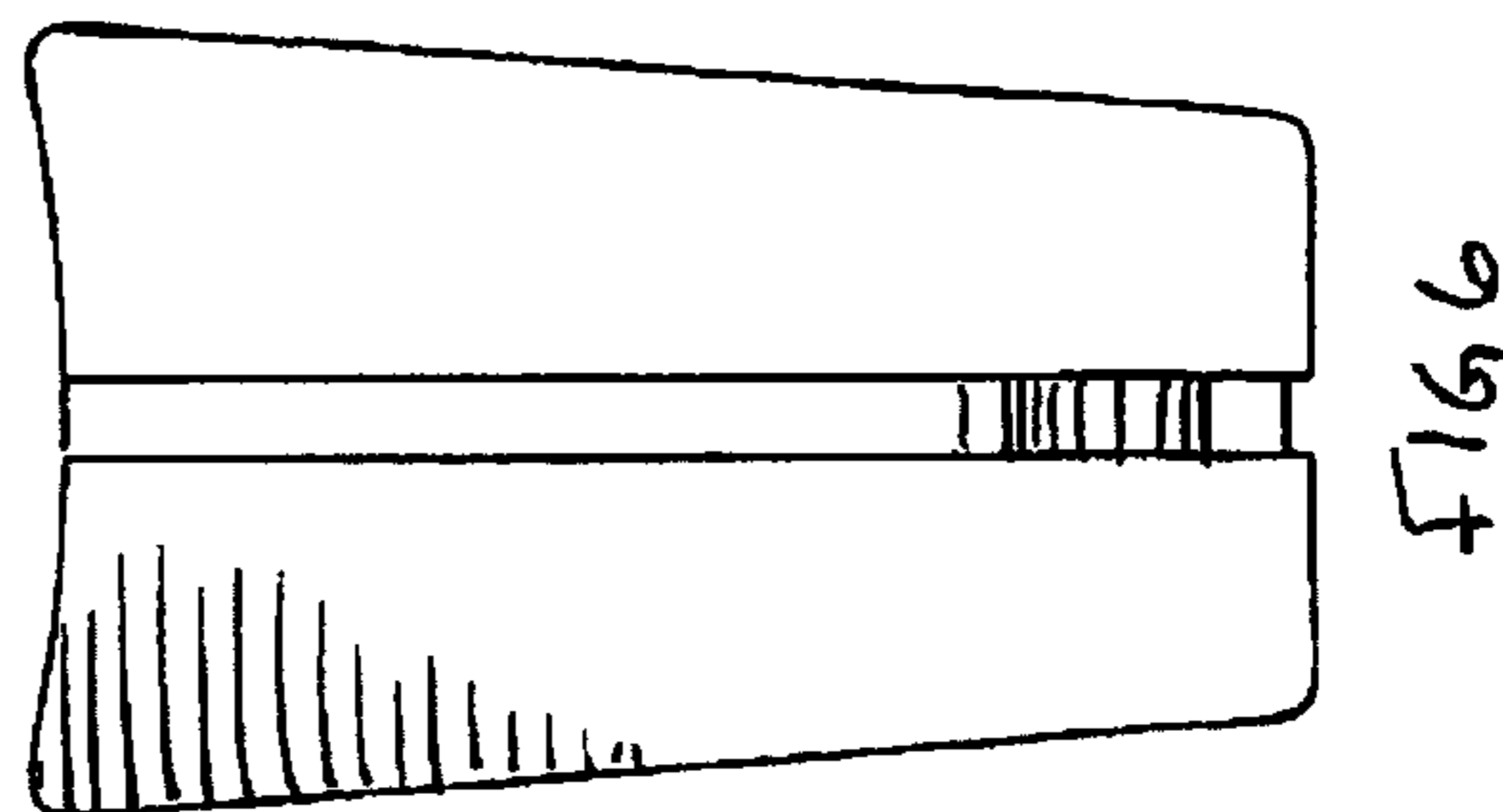
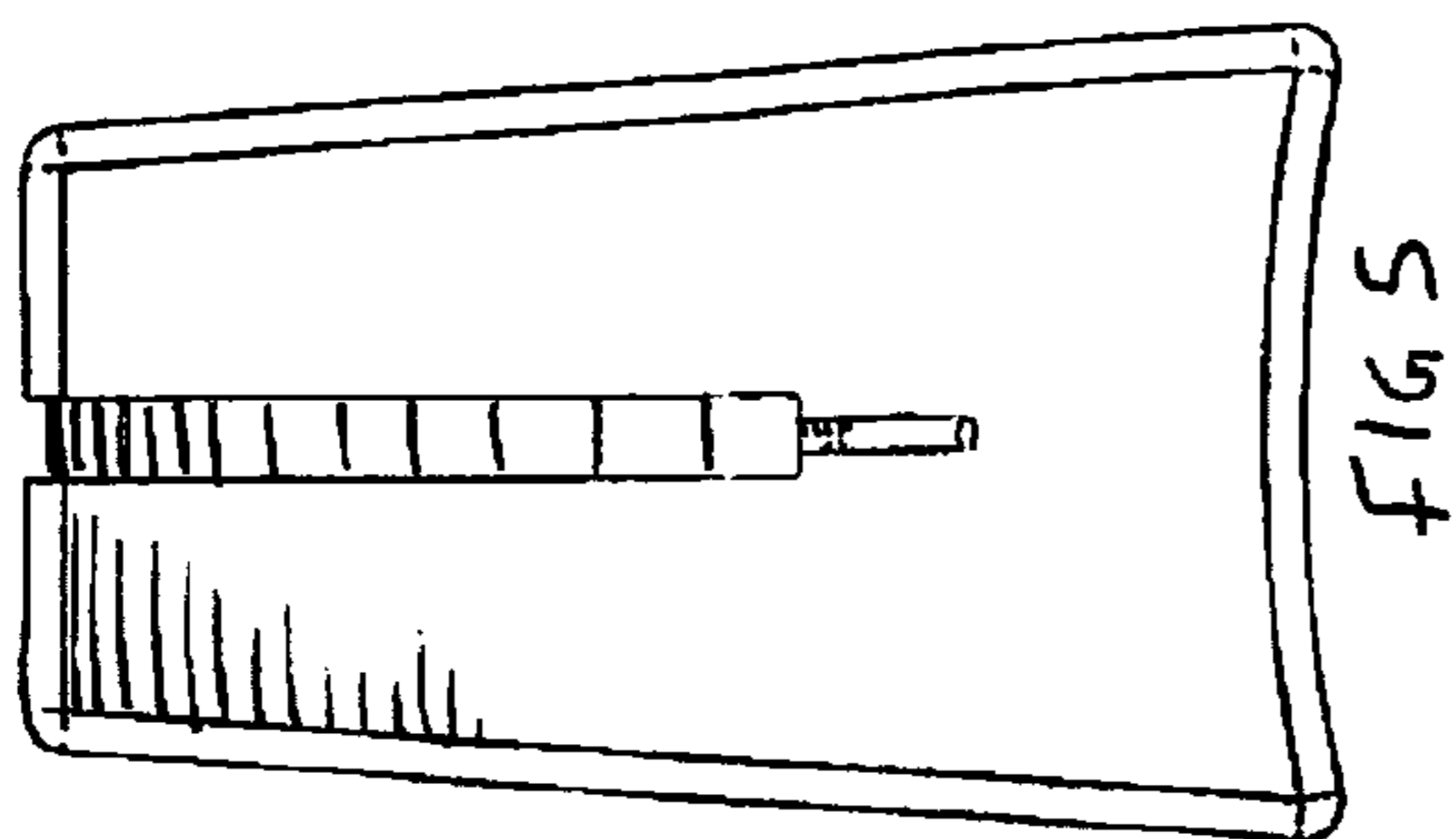
2,926,875	A *	3/1960	Hoye	248/121
D245,835	S *	9/1977	Lusk et al.	D11/131
D290,558	S *	6/1987	Zorrilla	D7/601
D300,790	S *	4/1989	Beckwith	D7/601
4,936,466	A *	6/1990	Nava	211/85.2
5,064,154	A *	11/1991	Payne	248/121
D356,906	S *	4/1995	Dardashti et al.	D6/453
D365,249	S *	12/1995	Reisman	D7/601
D367,153	S *	2/1996	Sturm	D7/628
5,826,843	A *	10/1998	Sturm	248/176.1
D538,109	S *	3/2007	Goodman et al.	D7/601

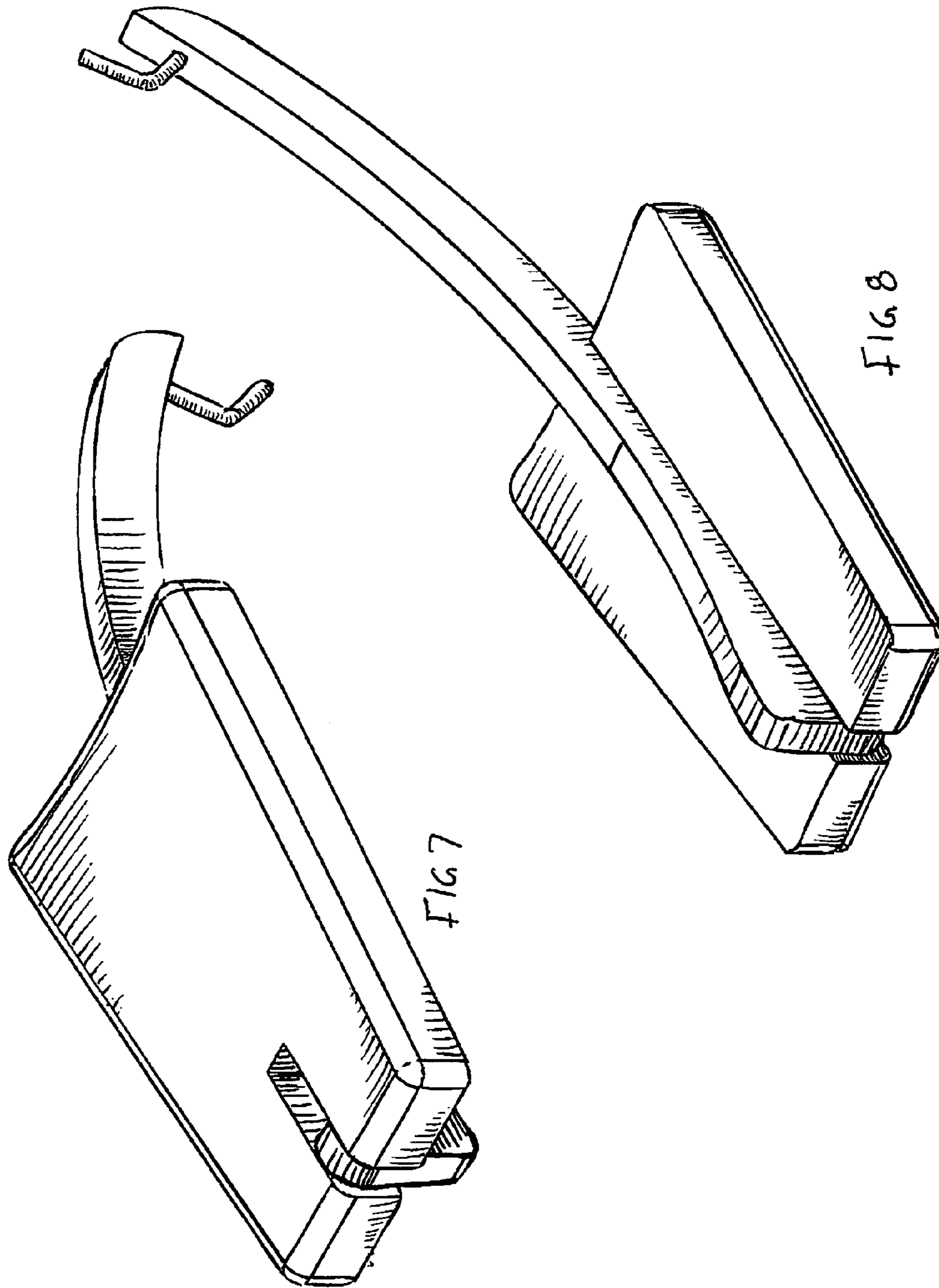
* cited by examiner

1 Claim, 4 Drawing Sheets









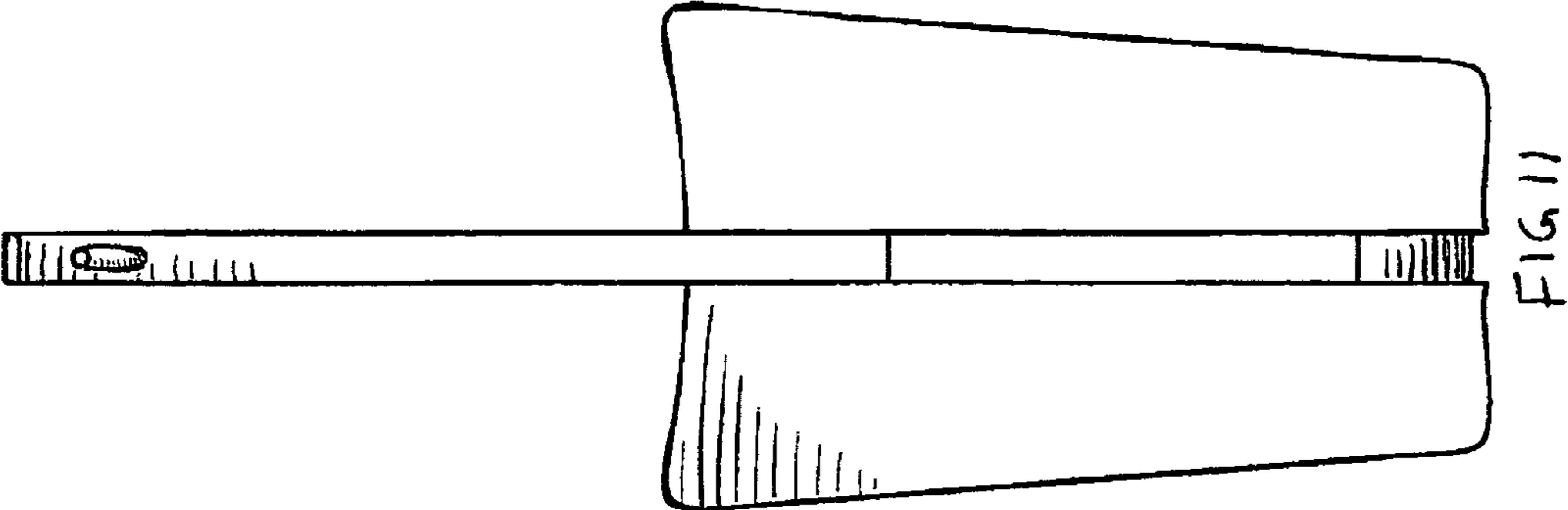


FIG 11

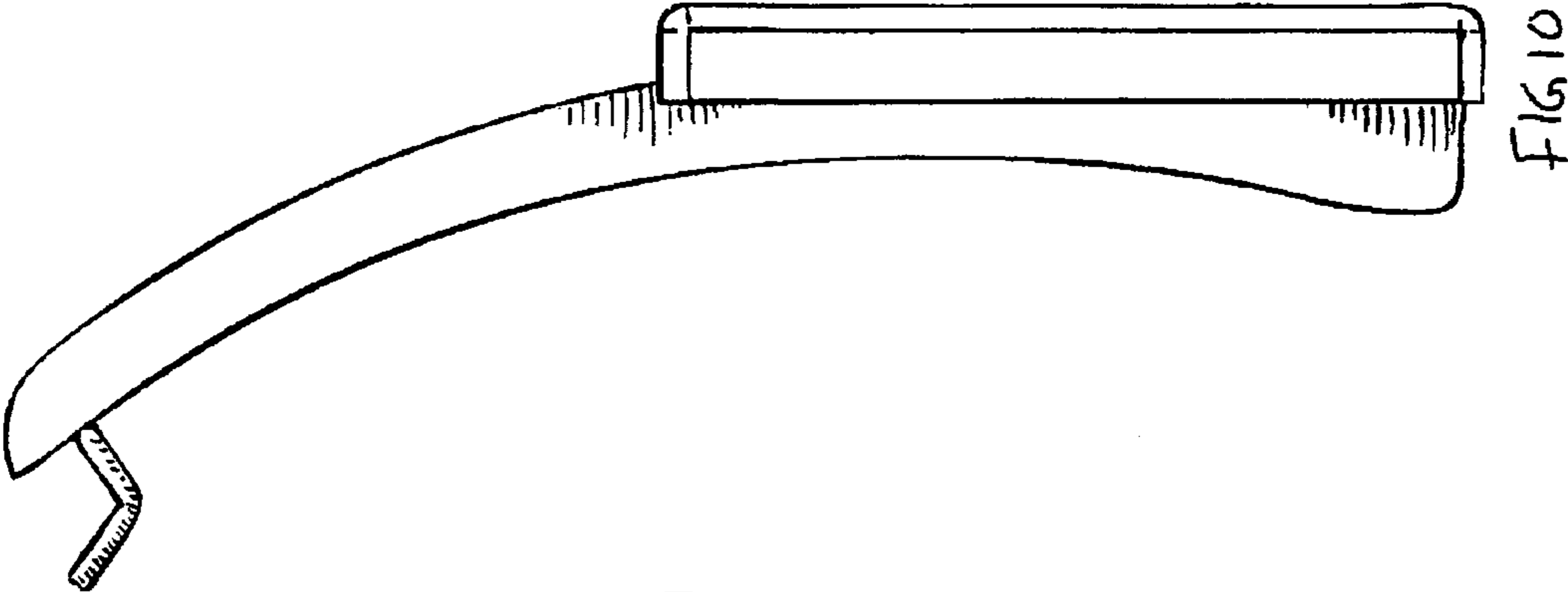


FIG 10

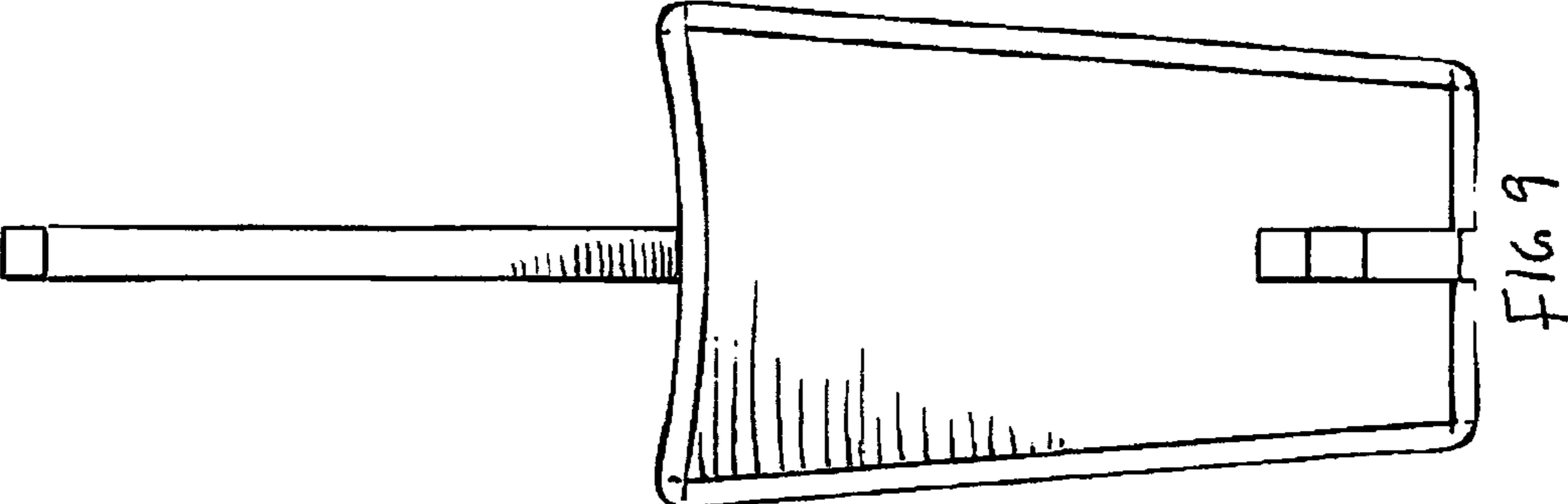


FIG 9