



US00D637041S

(12) **United States Design Patent**
Haskell

(10) **Patent No.:** **US D637,041 S**

(45) **Date of Patent:** **** *May 3, 2011**

(54) **TODDLER'S DRINKING CUP WITH SLEEVE AND TOP**

(76) Inventor: **Katherine D. Haskell**, Middlebury, VT (US)

(*) Notice: This patent is subject to a terminal disclaimer.

(**) Term: **14 Years**

(21) Appl. No.: **29/366,455**

(22) Filed: **Jul. 26, 2010**

Related U.S. Application Data

(62) Division of application No. 29/344,085, filed on Sep. 23, 2009, now Pat. No. Des. 620,755.

(51) **LOC (9) Cl.** **07-01**

(52) **U.S. Cl.** **D7/510; D7/511; D7/529**

(58) **Field of Classification Search** D7/532, D7/512, 507, 523, 511, 509, 529, 510; 220/705, 220/23.83, 710; D9/716, 719; 215/11.6

See application file for complete search history.

(56) **References Cited**

U.S. PATENT DOCUMENTS

D325,687	S	*	4/1992	Embree	D7/510
5,454,482	A		10/1995	Simon		
D364,314	S		11/1995	Humphrey et al.		
D364,315	S		11/1995	Humphrey et al.		
D364,316	S		11/1995	Humphrey et al.		
D364,781	S	*	12/1995	Fenton et al.	D7/624.2
D366,987	S		2/1996	Allegre		
D407,270	S	*	3/1999	Wilson	D7/529
5,927,524	A		7/1999	Miller		
D434,273	S	*	11/2000	Johansen et al.	D7/396.6
D448,242	S	*	9/2001	McDonough et al.	D7/509
D457,783	S	*	5/2002	Bodum	D7/511

D463,216	S	*	9/2002	McDonough et al.	D7/509
6,772,891	B1		8/2004	Song		
6,783,020	B2		8/2004	Featherston et al.		
D528,365	S	*	9/2006	Hsu	D7/529
7,152,750	B2		12/2006	Coffey		
D547,611	S		7/2007	Seum et al.		
D556,513	S	*	12/2007	Yelland	D7/532
D559,622	S		1/2008	Carreno		
D560,970	S	*	2/2008	Yelland	D7/536
7,337,915	B1		3/2008	Weldon		
D582,723	S	*	12/2008	Renz et al.	D7/523
D593,367	S	*	6/2009	Brooks	D7/509
D600,071	S	*	9/2009	Carreno	D7/509
7,591,393	B2		9/2009	Crudgington, Jr.		
2006/0169860	A1		8/2006	Alzheimer		
2008/0047967	A1		2/2008	Brunner et al.		
2009/0057257	A1		3/2009	Marcus et al.		

* cited by examiner

Primary Examiner — Marianne Pandozzi

(74) *Attorney, Agent, or Firm* — William A. Loginov, Esq.; Loginov & Associates, PLLC

(57) **CLAIM**

The ornamental design for a toddler's drinking cup with sleeve and top, substantially as shown and described.

DESCRIPTION

FIG. 1 is a perspective view of a toddler drinking cup and top showing my new design;

FIG. 2 is a front view thereof;

FIG. 3 is a rear view thereof;

FIG. 4 is a right side view thereof;

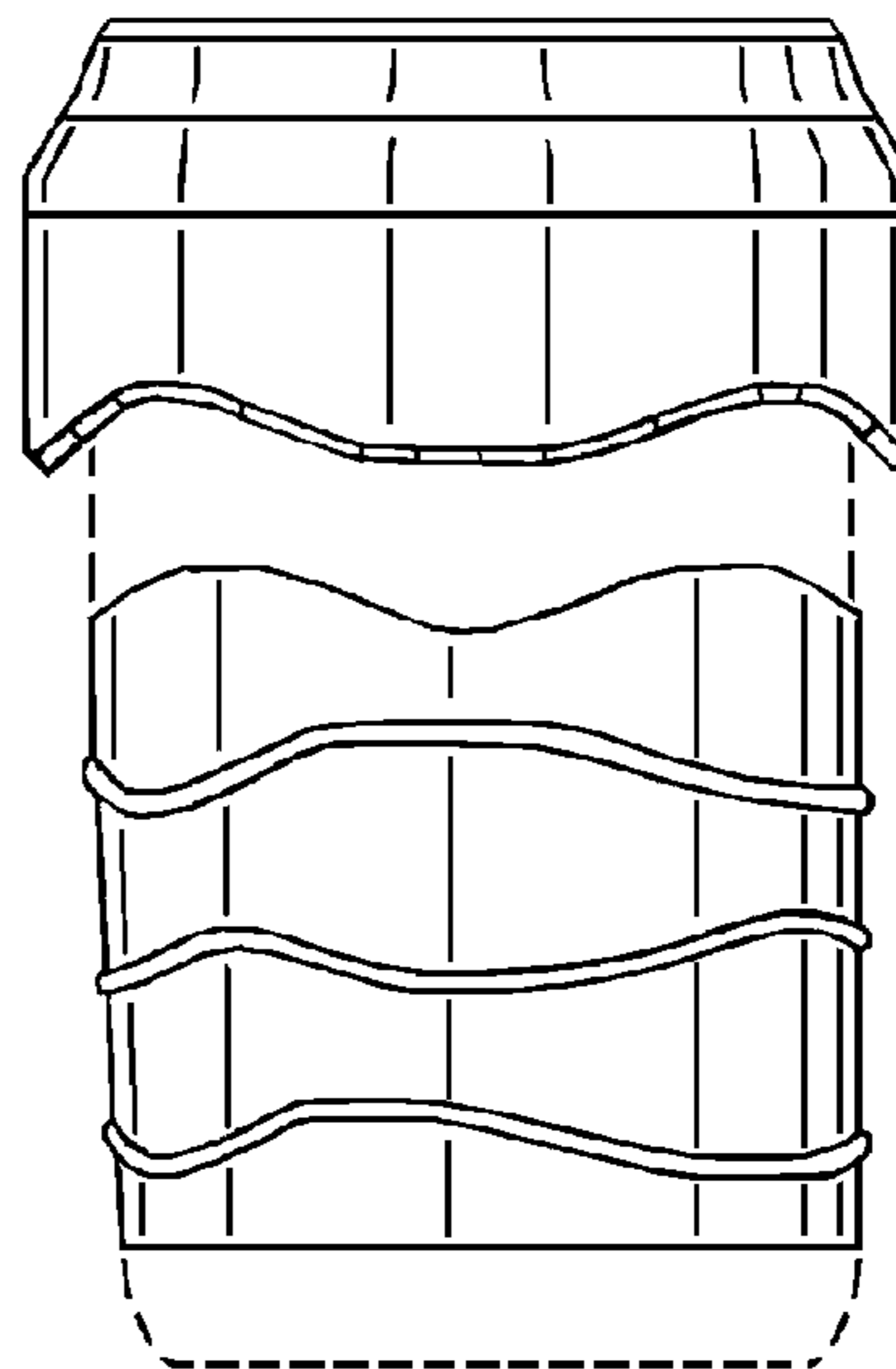
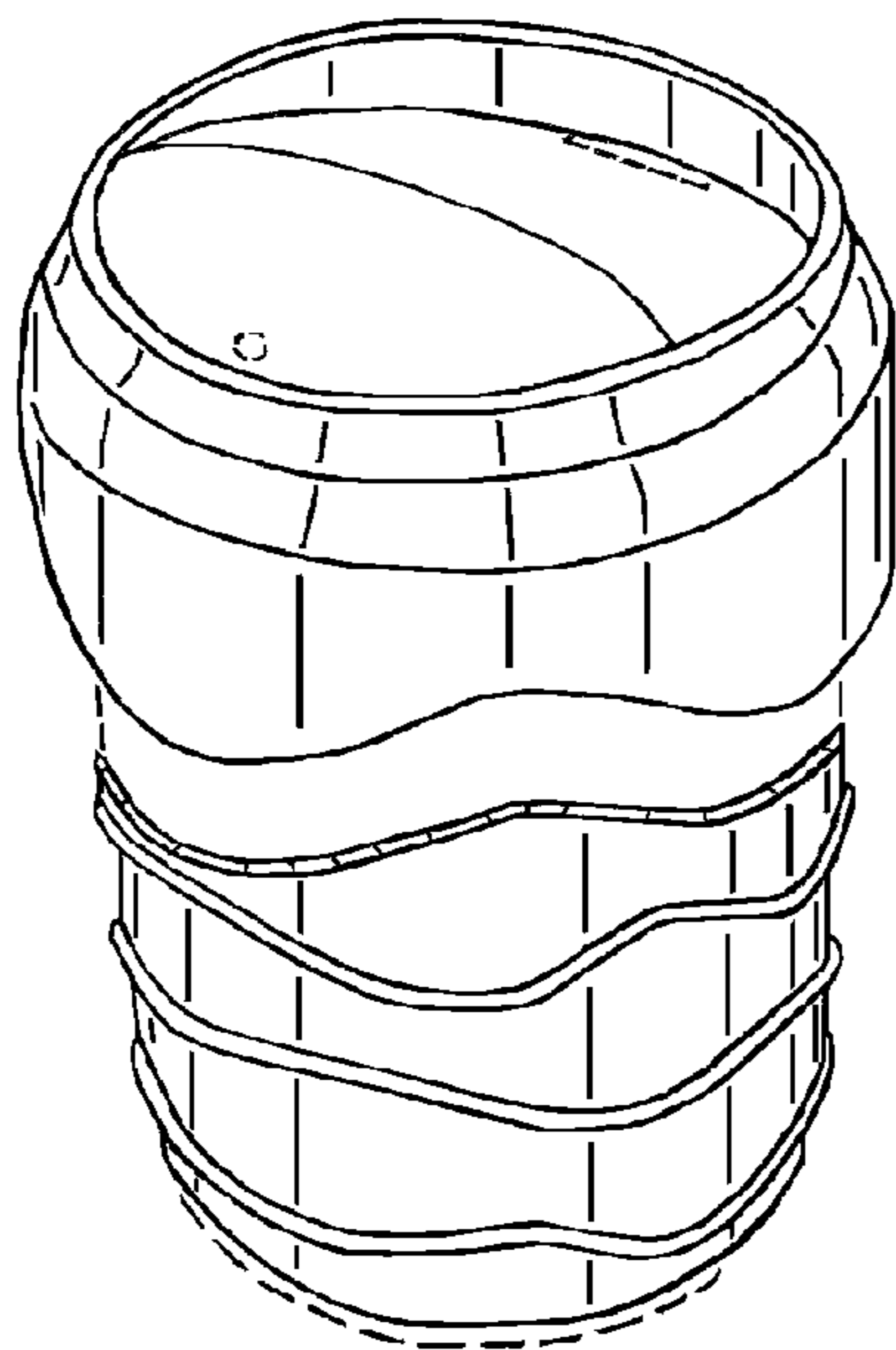
FIG. 5 is a left side view thereof;

FIG. 6 is a top plan view thereof; and,

FIG. 7 is a bottom plan view thereof.

The broken line elements in all views are for illustrative and environmental purposes only and form no part of the claimed design.

1 Claim, 2 Drawing Sheets



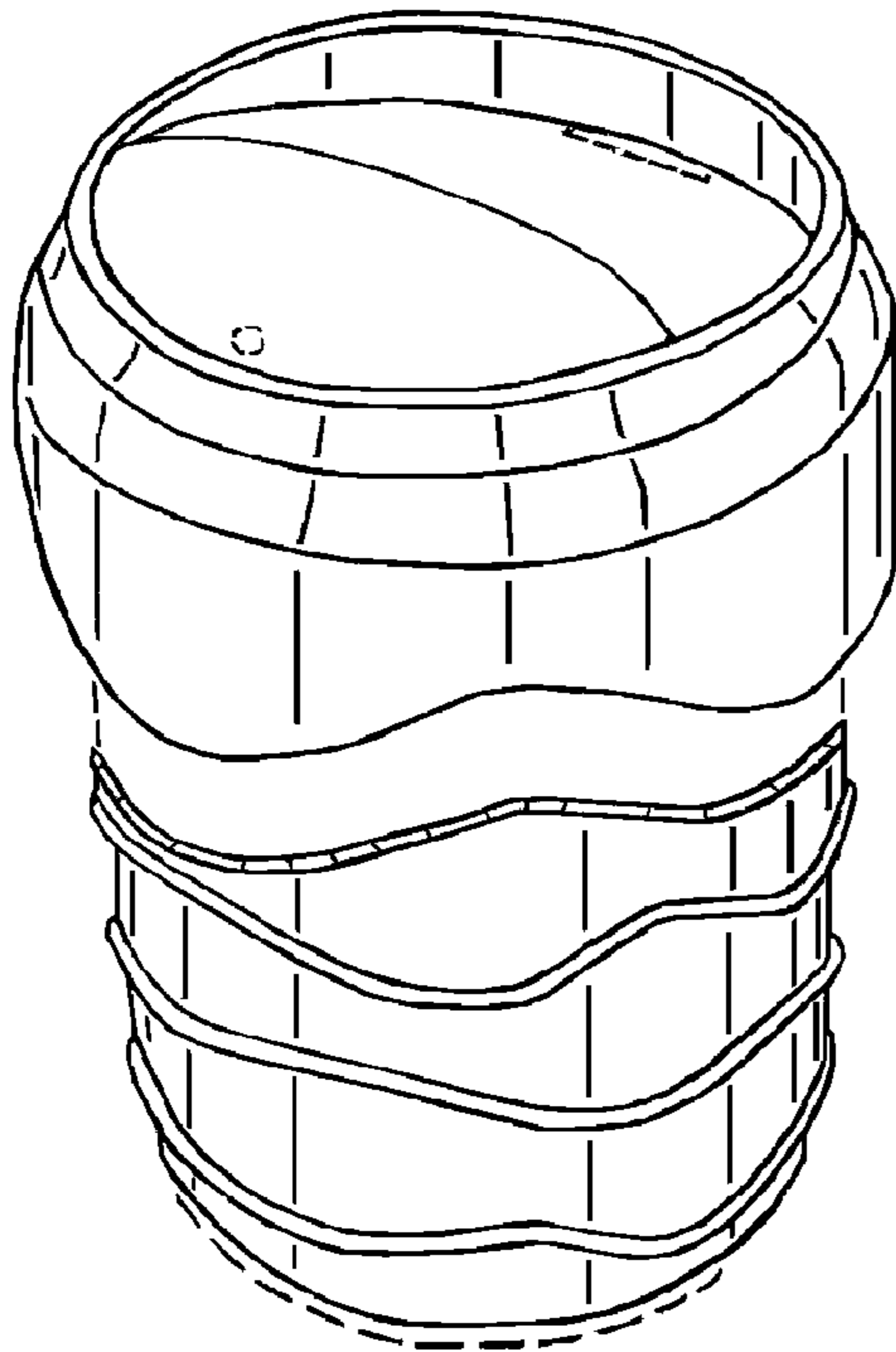


Fig. 1

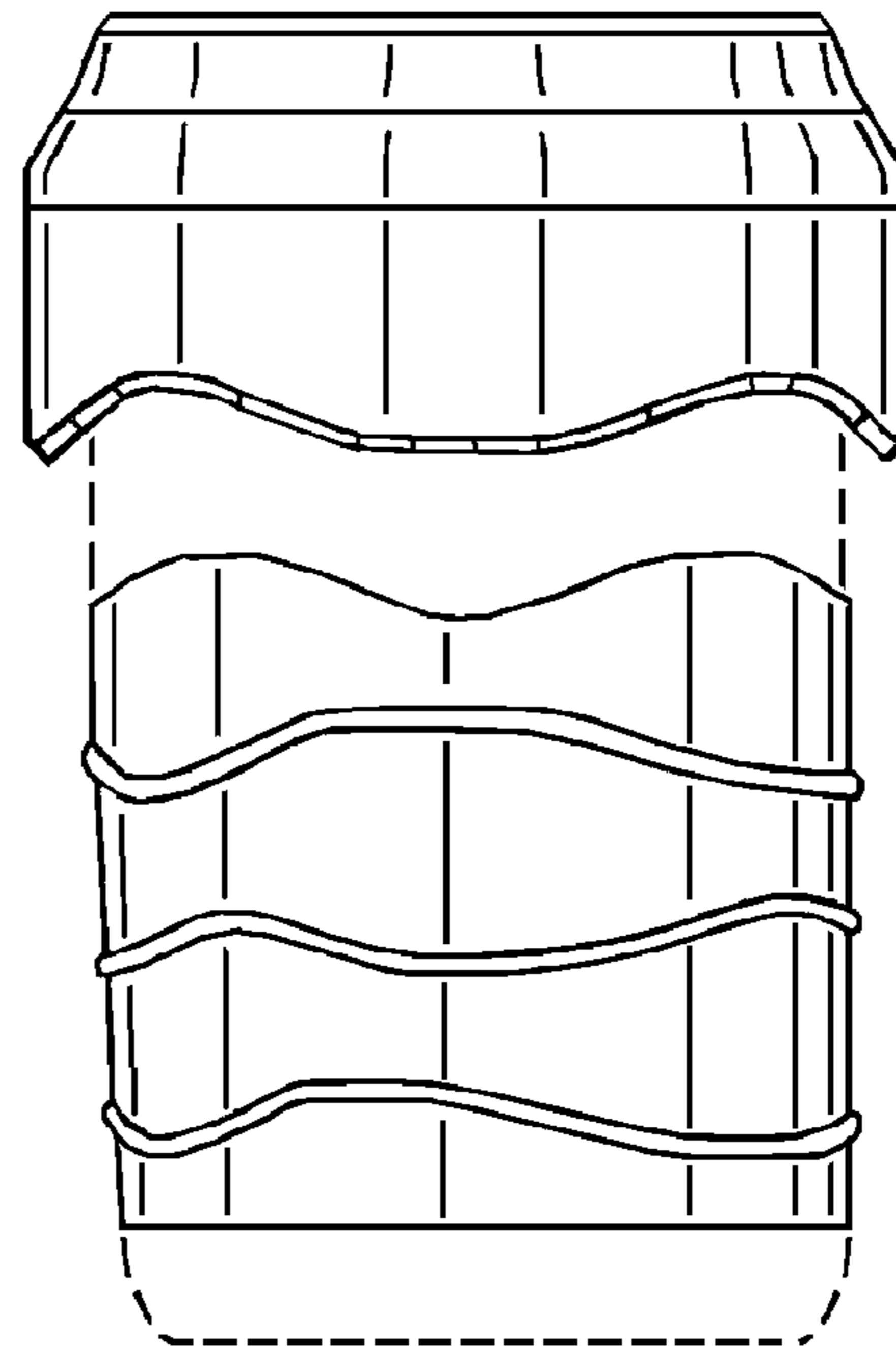


Fig. 2

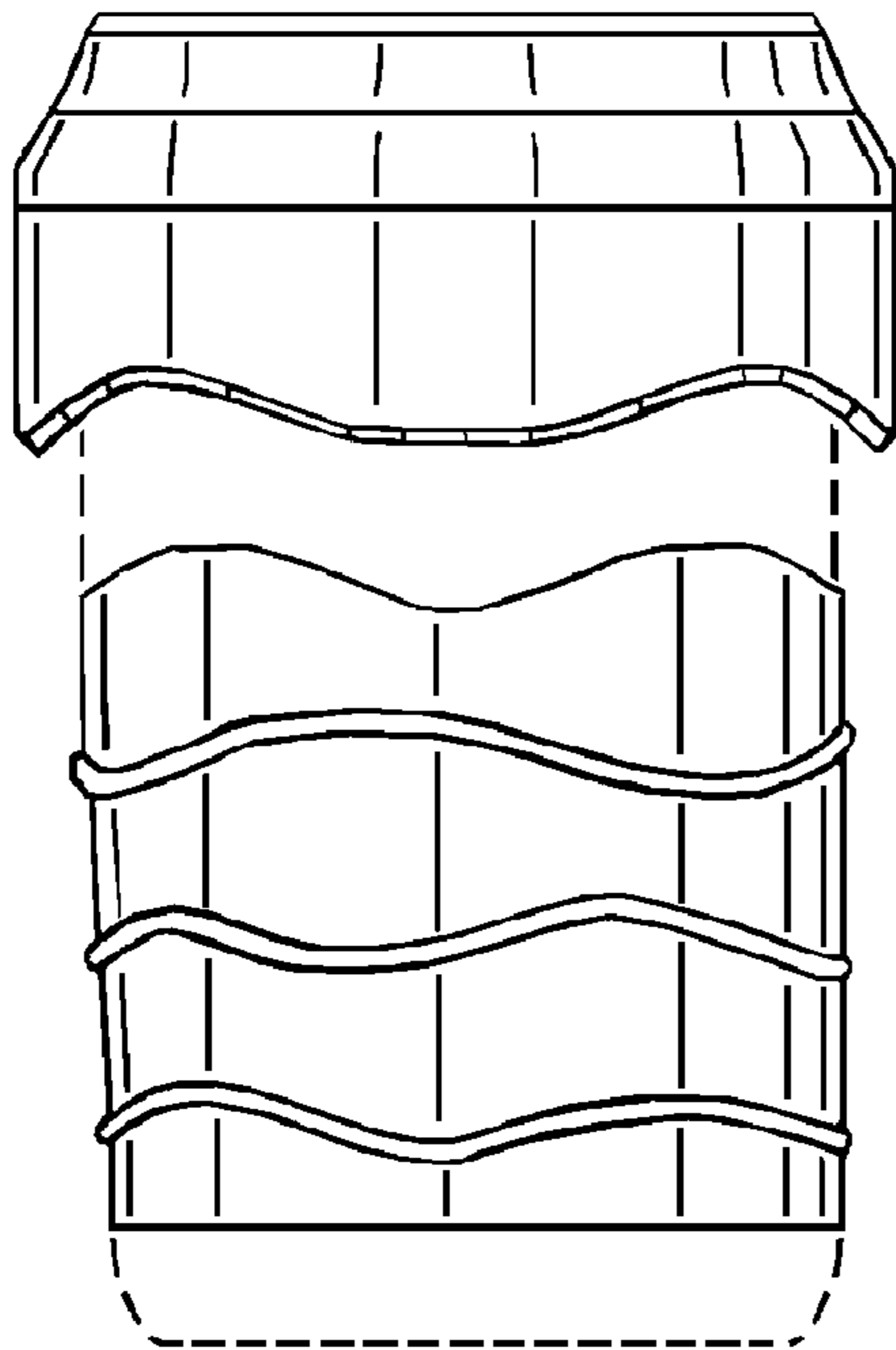


Fig. 3

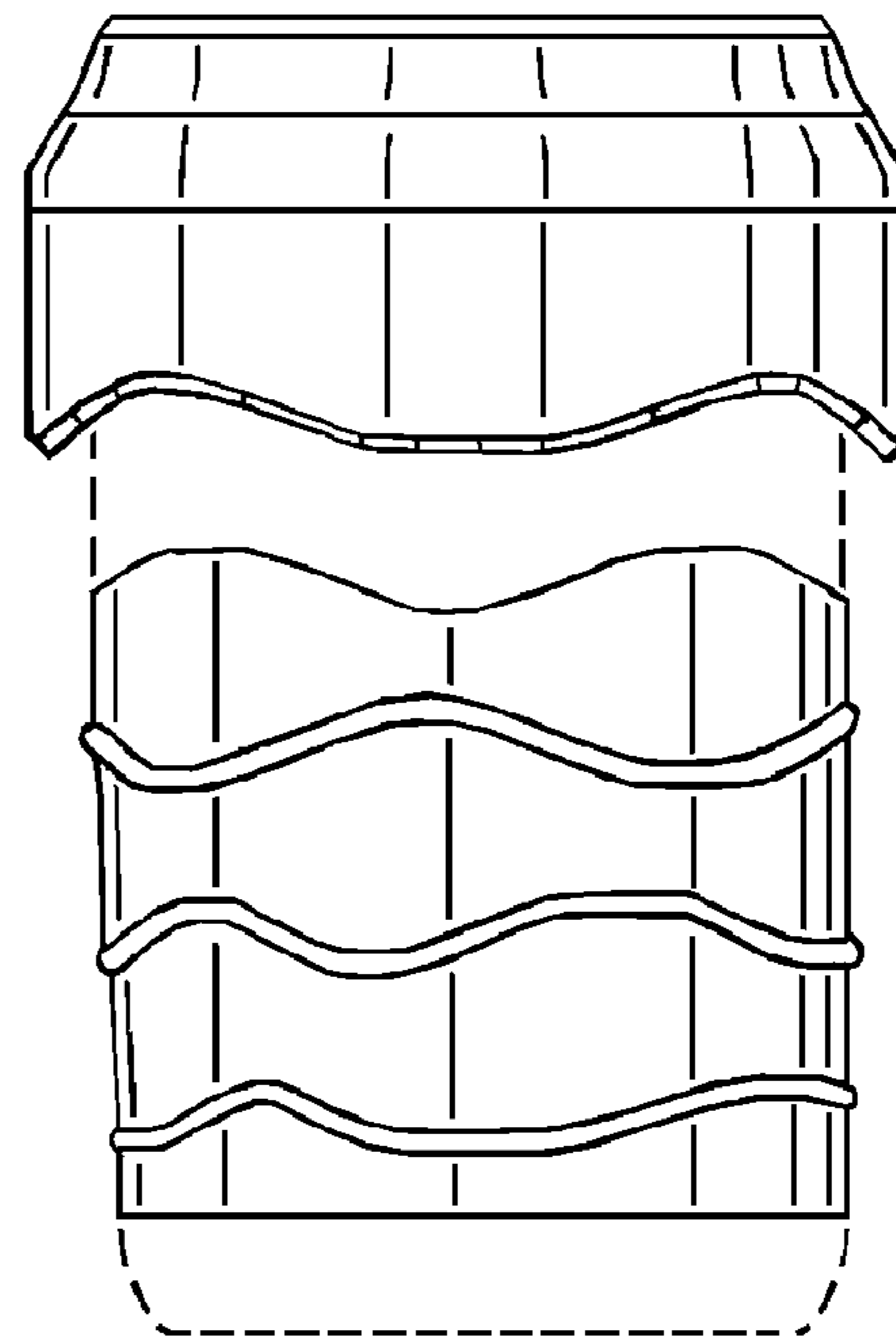


Fig. 4

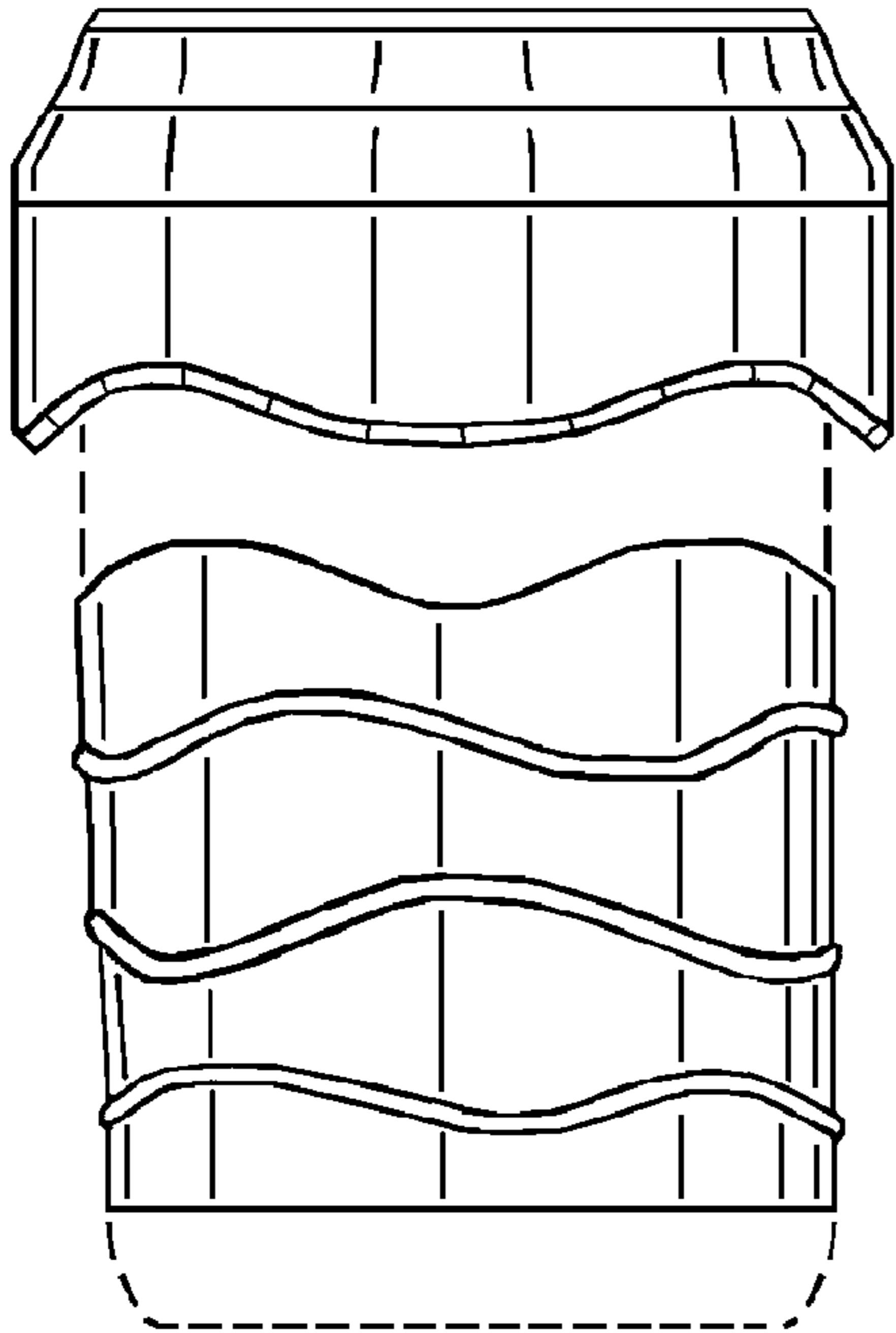


Fig. 5

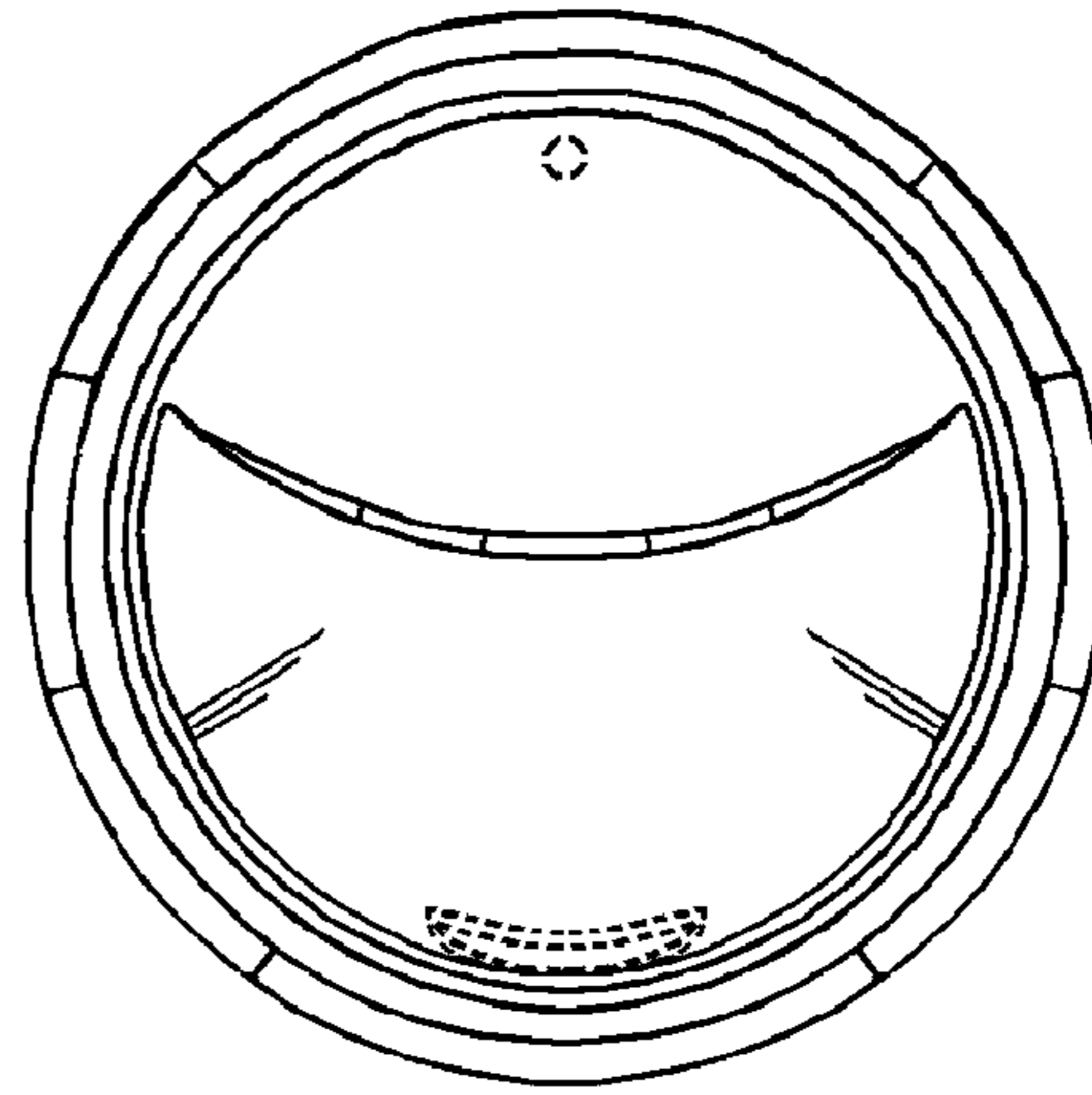


Fig. 6

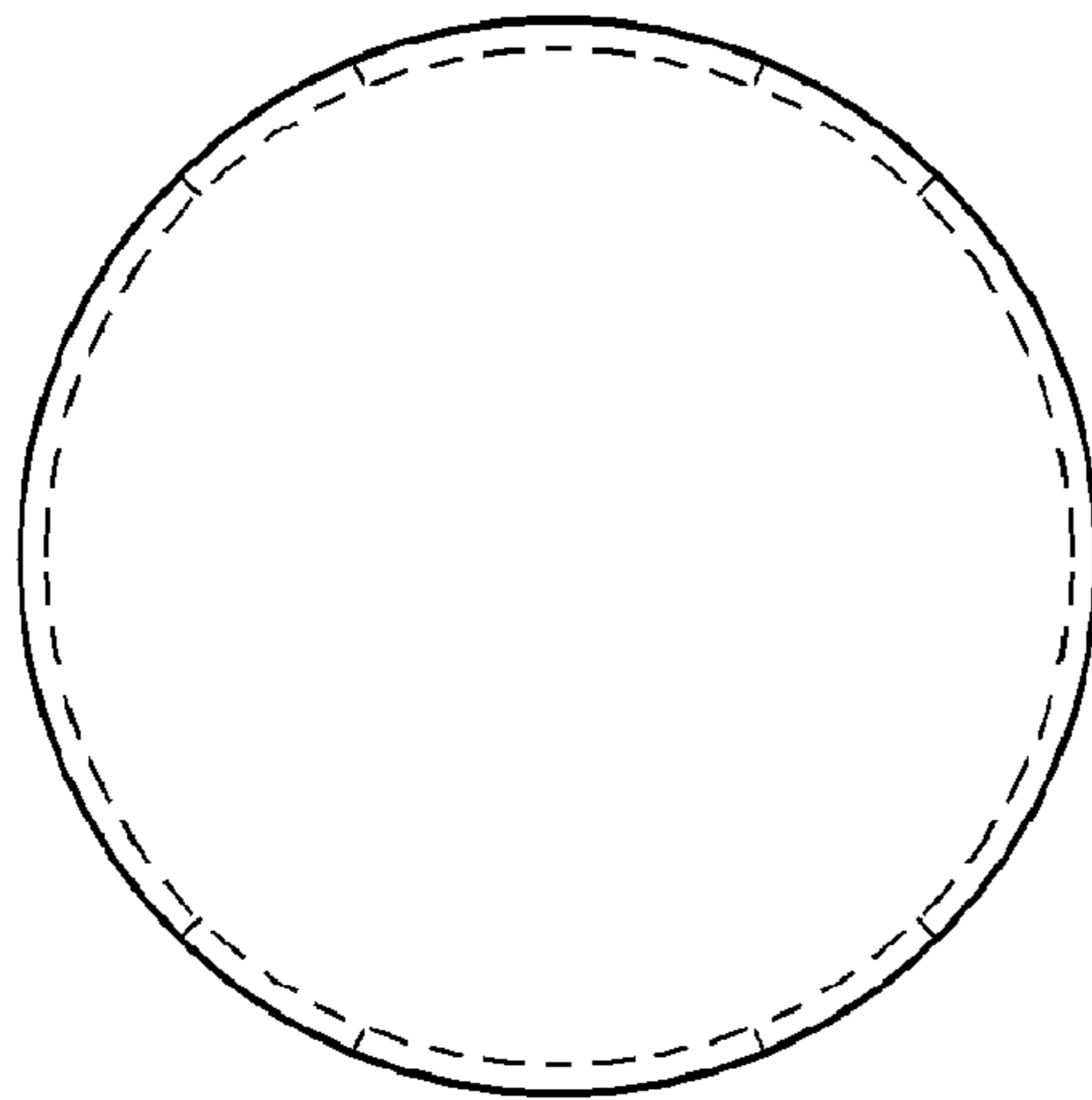


Fig. 7