



US00D637040S

(12) **United States Design Patent**
King et al.

(10) **Patent No.:** **US D637,040 S**

(45) **Date of Patent:** **** May 3, 2011**

(54) **COOKING HOB AND COOKTOP**

(75) Inventors: **Scott King**, New South Wales (AU);
Alex Gray, New South Wales (AU);
Carlo Rossi, South Australia (AU)

(73) Assignee: **Electrolux Home Products Pty Limited**
(AU)

(**) Term: **14 Years**

(21) Appl. No.: **29/345,620**

(22) Filed: **Oct. 20, 2009**

(30) **Foreign Application Priority Data**

Apr. 20, 2009 (CN) 2009 3 0184261

(51) **LOC (9) Cl.** **07-02**

(52) **U.S. Cl.** **D7/407**

(58) **Field of Classification Search** D7/332,
D7/334-337, 402-405, 407, 392.1, 346, 367;
126/25 R, 39 C, 41 R, 25 A, 29-30, 25 AA,
126/9 R, 37-38, 40, 39 E, 39 B; 99/481-482;
137/883, 875; 431/343

See application file for complete search history.

(56) **References Cited**

U.S. PATENT DOCUMENTS

D304,990 S * 12/1989 Springer D7/367
D343,336 S * 1/1994 Falk D7/346
6,253,759 B1 * 7/2001 Giebel et al. 126/39 B

D479,942 S * 9/2003 Pottenger et al. D7/346
D480,261 S * 10/2003 Pottenger et al. D7/346
D540,103 S * 4/2007 Jensen et al. D7/346
D543,069 S * 5/2007 Jensen et al. D7/346
D578,349 S * 10/2008 Rieser D7/402
D604,097 S * 11/2009 Cutino D7/407
D608,145 S * 1/2010 Cutino D7/407
D609,960 S * 2/2010 Cutino D7/346

* cited by examiner

Primary Examiner — T. Chase Nelson

Assistant Examiner — Mark Cavanna

(74) *Attorney, Agent, or Firm* — Banner & Witcoff, Ltd.

(57) **CLAIM**

The ornamental design for a cooking hob and cooktop, as shown and described.

DESCRIPTION

FIG. 1 is a perspective view of a cooking hob and cooktop showing our new design;

FIG. 2 is a rear side view thereof;

FIG. 3 is a front side view thereof;

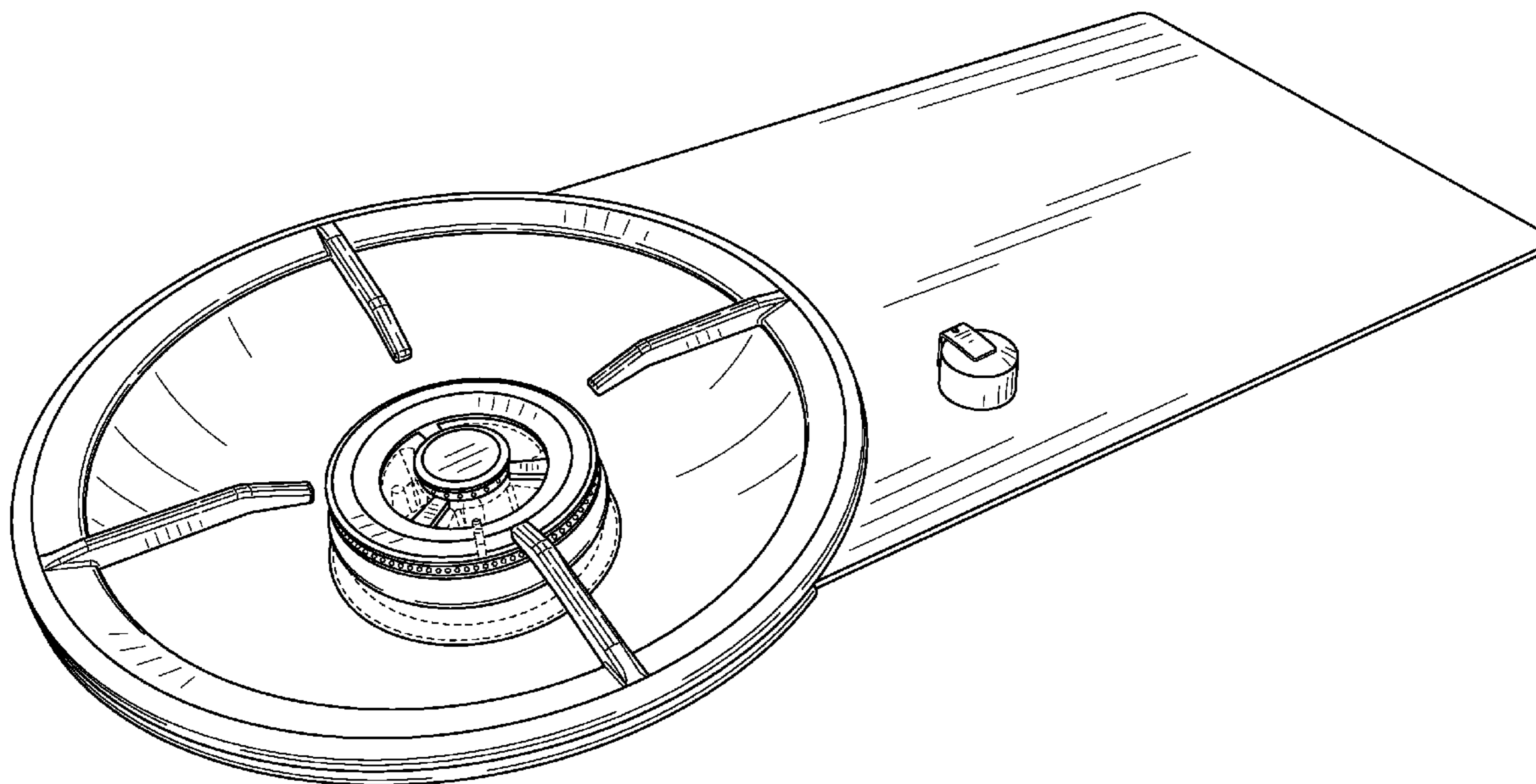
FIG. 4 is a right side view thereof;

FIG. 5 is a left side view thereof; and,

FIG. 6 is a top plan view thereof.

The broken lines are included for the purpose of illustrating portions of the cooking hob and cooktop that form no part of the claimed design.

1 Claim, 6 Drawing Sheets



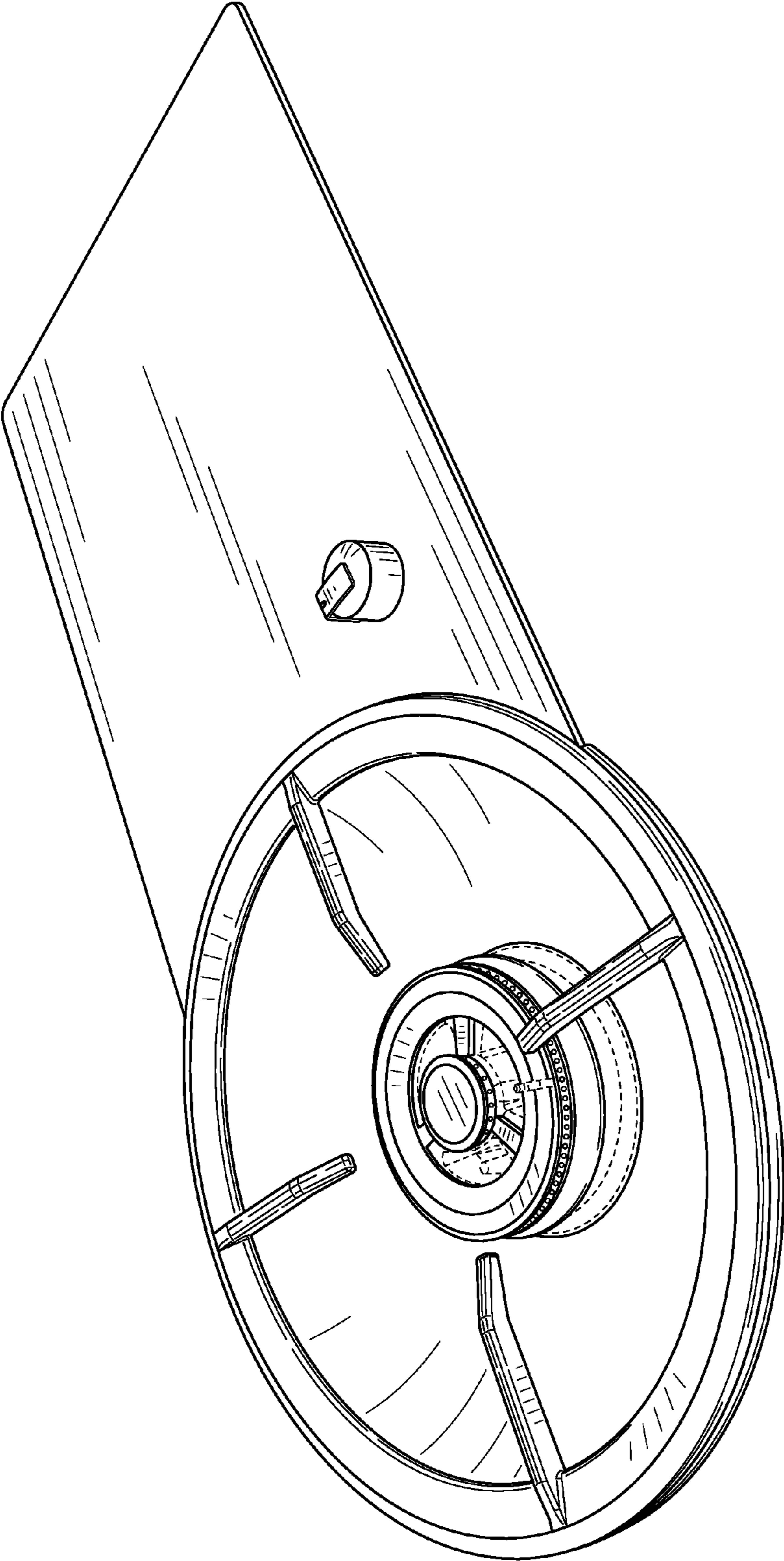


FIG. 1

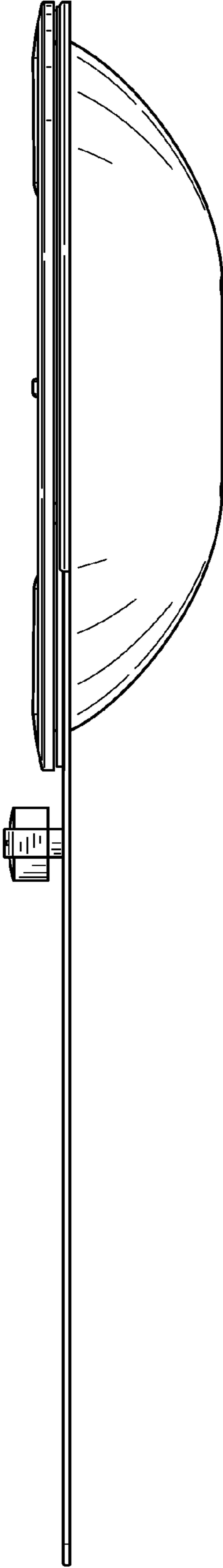


FIG. 2

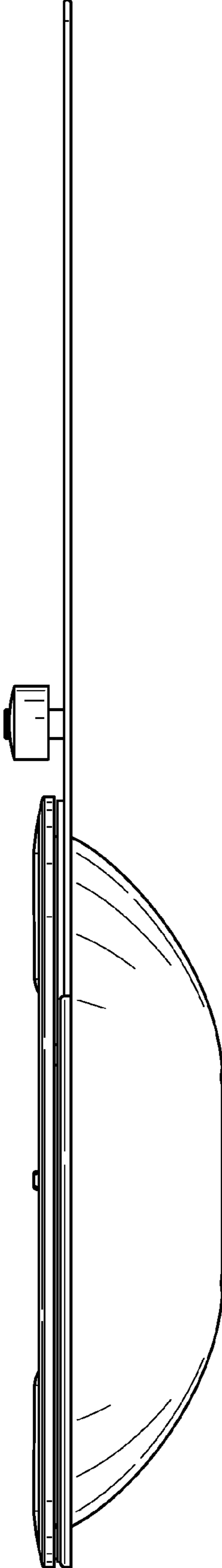


FIG. 3

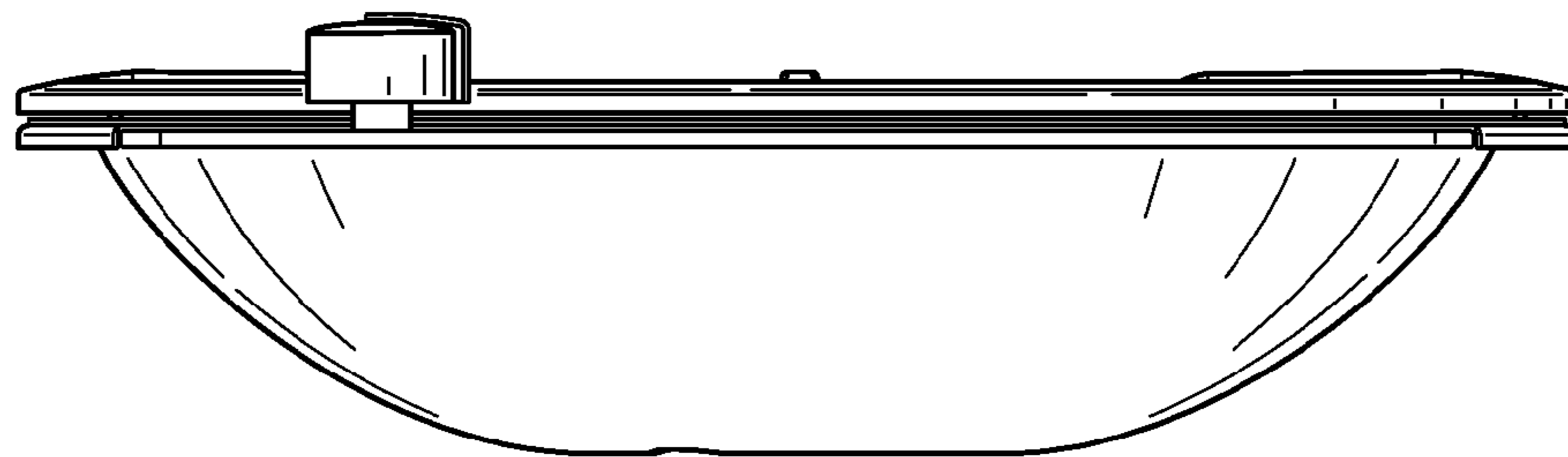


FIG. 4

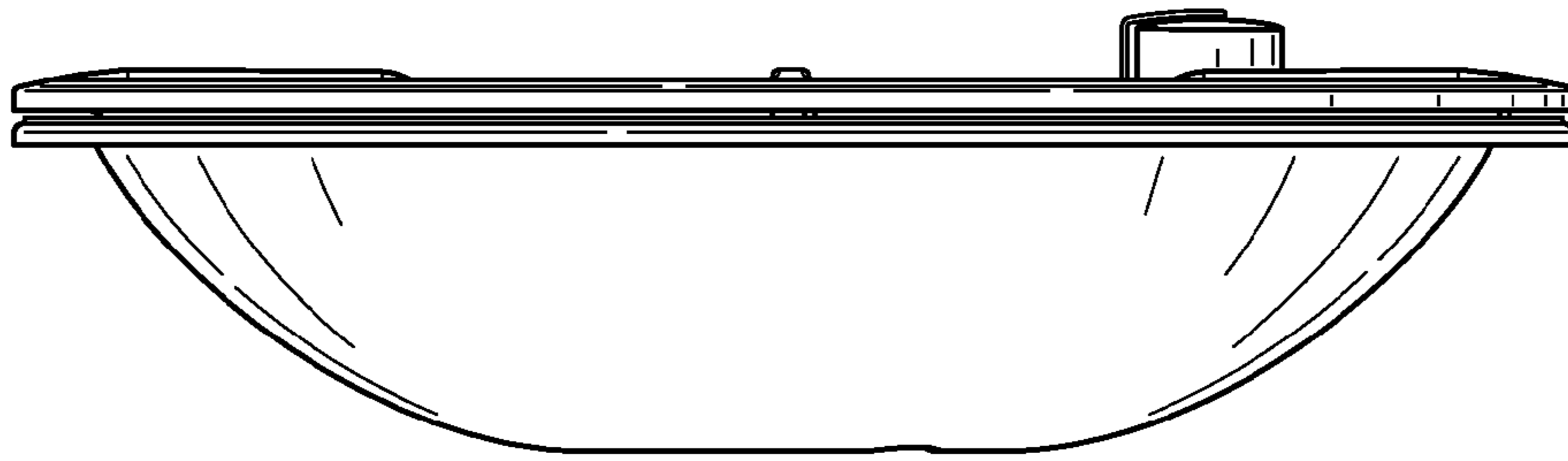


FIG. 5

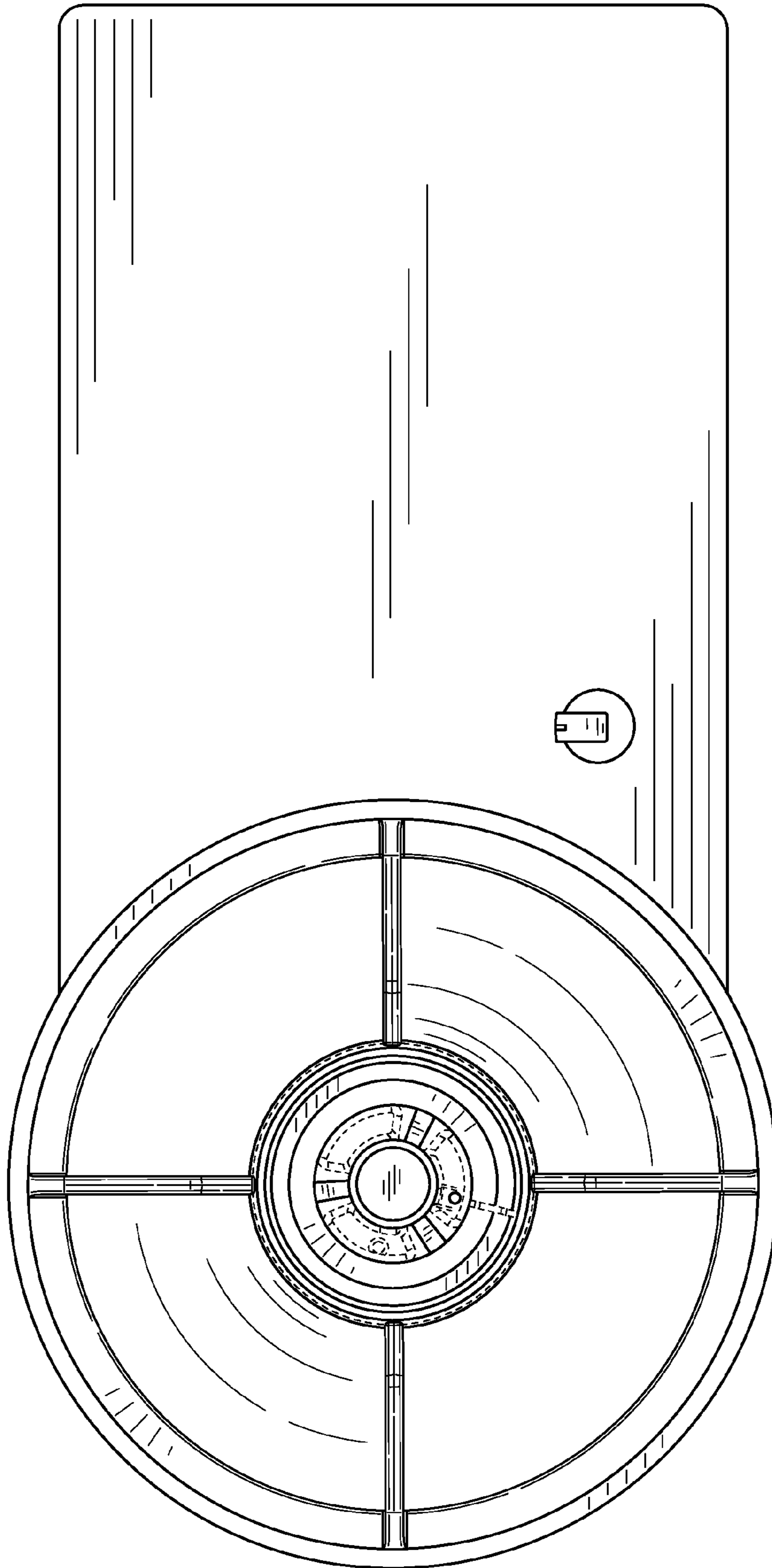


FIG. 6