



US00D637038S

(12) **United States Design Patent**  
**Lenge**

(10) **Patent No.:** **US D637,038 S**

(45) **Date of Patent:** **\*\* May 3, 2011**

(54) **SPOON HANDLE**

(76) Inventor: **Frank L. Lenge**, Southington, CT (US)

(\*\*) Term: **14 Years**

(21) Appl. No.: **29/349,107**

(22) Filed: **Mar. 10, 2010**

(51) **LOC (9) Cl.** ..... **07-02**

(52) **U.S. Cl.** ..... **D7/401.2; D7/653**

(58) **Field of Classification Search** ..... D7/368,  
D7/395, 401.2, 642-646, 649-654, 660-669,  
D7/675-676, 683, 688-692, 695-696; 30/137,  
30/141-143, 147-150, 322-327, 329, 340,  
30/342-346; 416/70 R

See application file for complete search history.

(56) **References Cited**

**U.S. PATENT DOCUMENTS**

D167,664 S *	9/1952	Wagner	.....	D7/662
D271,267 S *	11/1983	Cassini	.....	D7/653
D334,511 S *	4/1993	Gebhardt	.....	D7/662
D411,412 S *	6/1999	Morrison	.....	D7/401.2
D593,379 S *	6/2009	Thompson	.....	D7/653
D599,175 S *	9/2009	Ito	.....	D7/653

\* cited by examiner

*Primary Examiner* — Caron Veynar

*Assistant Examiner* — Ricky Pham

(74) *Attorney, Agent, or Firm* — Dorothy S. Morse

(57) **CLAIM**

The ornamental design for a spoon handle, as shown and described.

**DESCRIPTION**

FIG. 1 is a back view of a spoon handle according to my new design;

FIG. 2 is a front view thereof;

FIG. 3 is a side view thereof, with the opposing side being the mirror image of the side shown in FIG. 3;

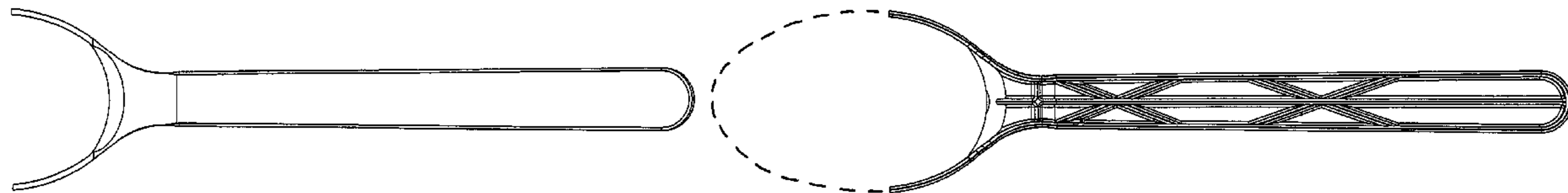
FIG. 4 is an enlarged rear view thereof;

FIG. 5 is an enlarged front view thereof;

FIG. 6 is a perspective view thereof; and,

FIG. 7 is a back view thereof in a condition of use, with the broken lines forming no part of the invention.

**1 Claim, 7 Drawing Sheets**



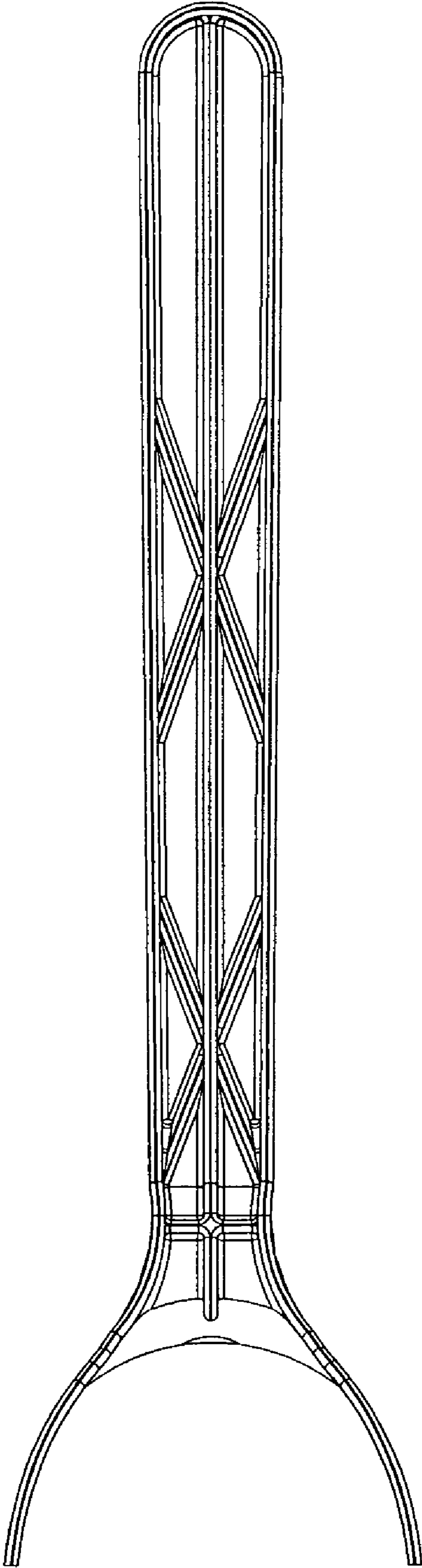


FIGURE 1

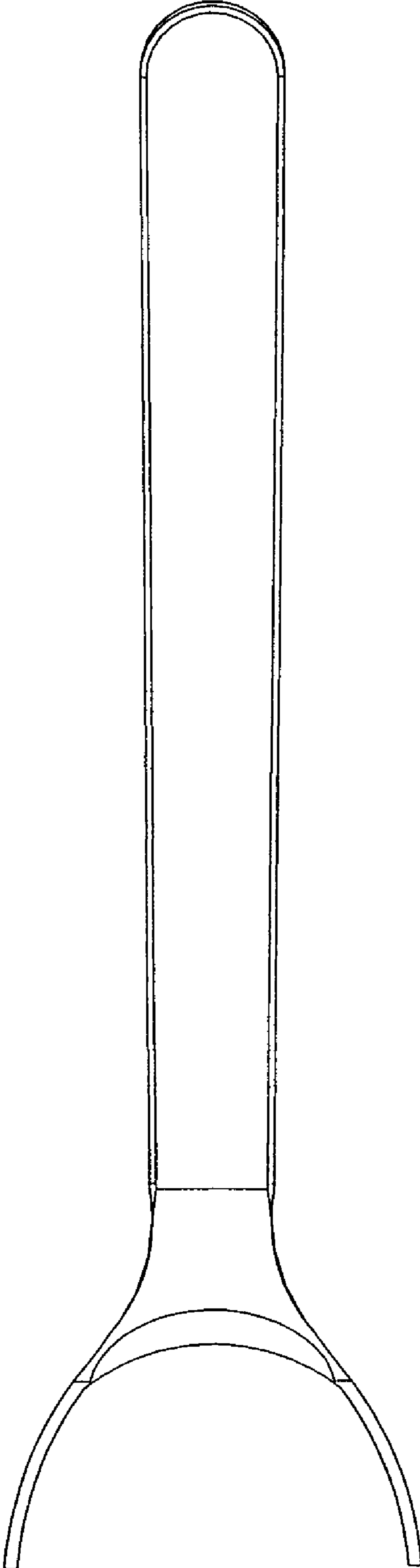


FIGURE 2

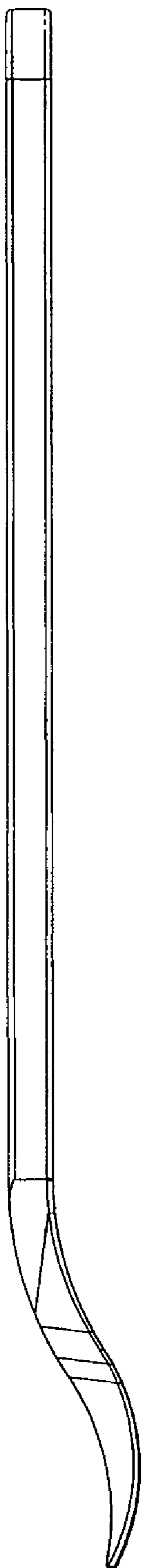


FIGURE 3

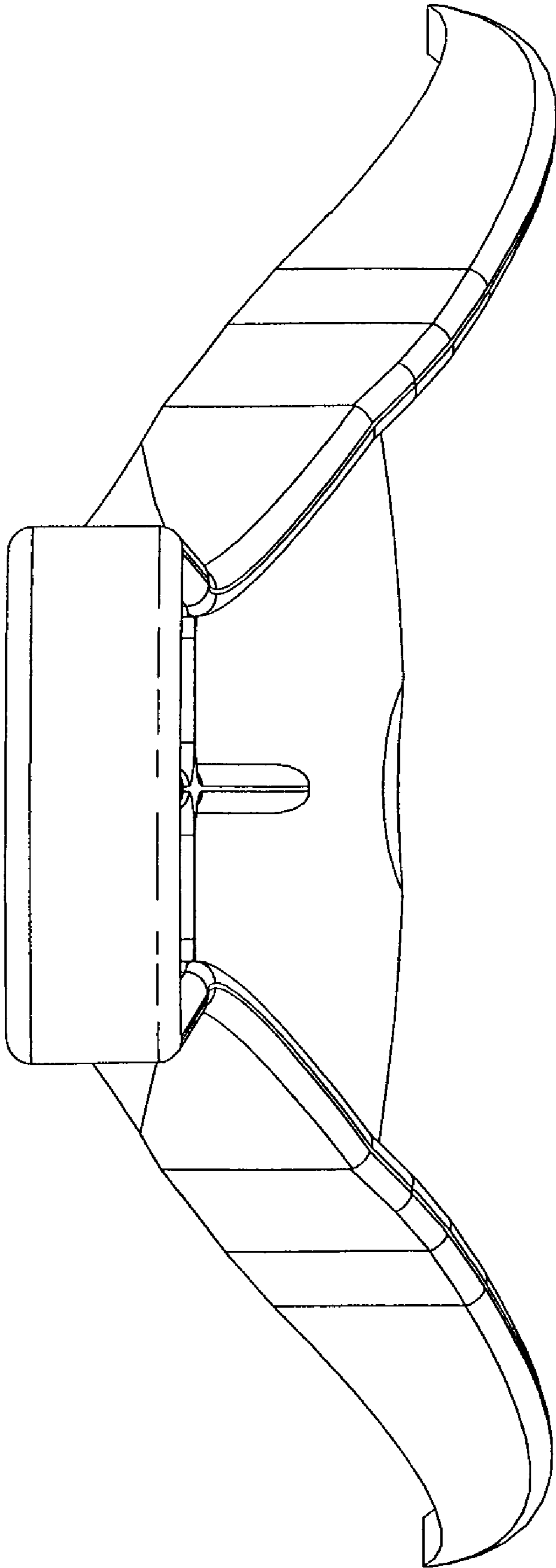
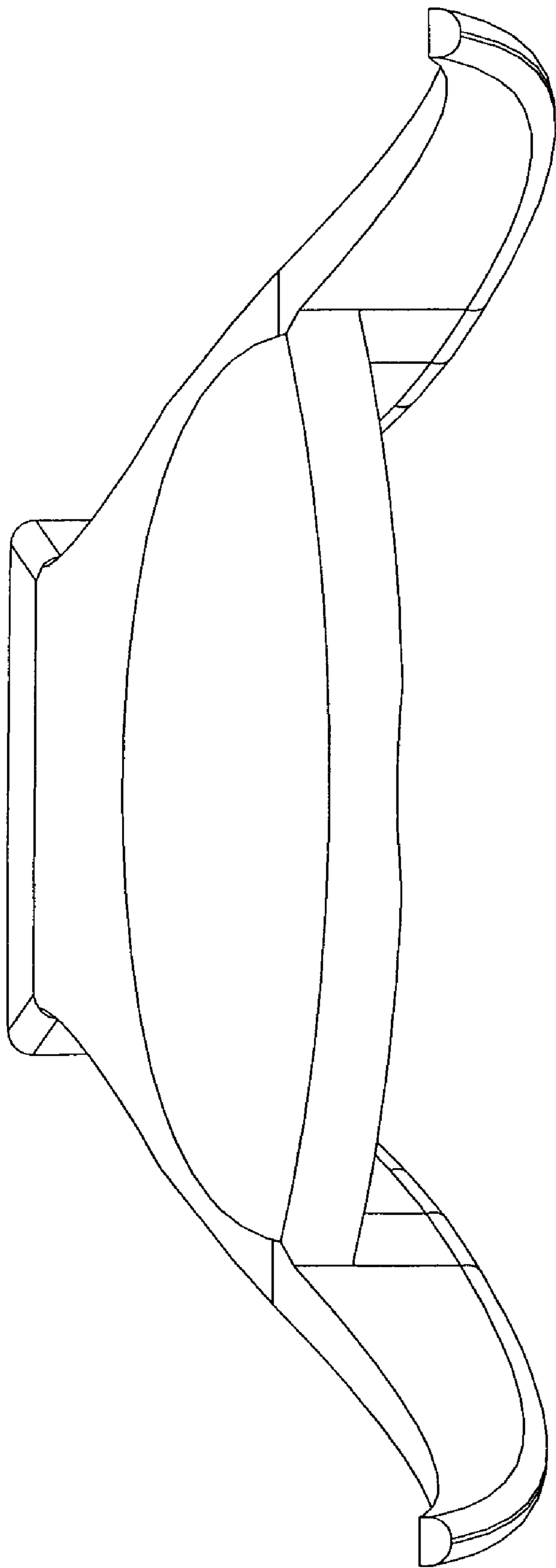


FIGURE 4



**FIGURE 5**

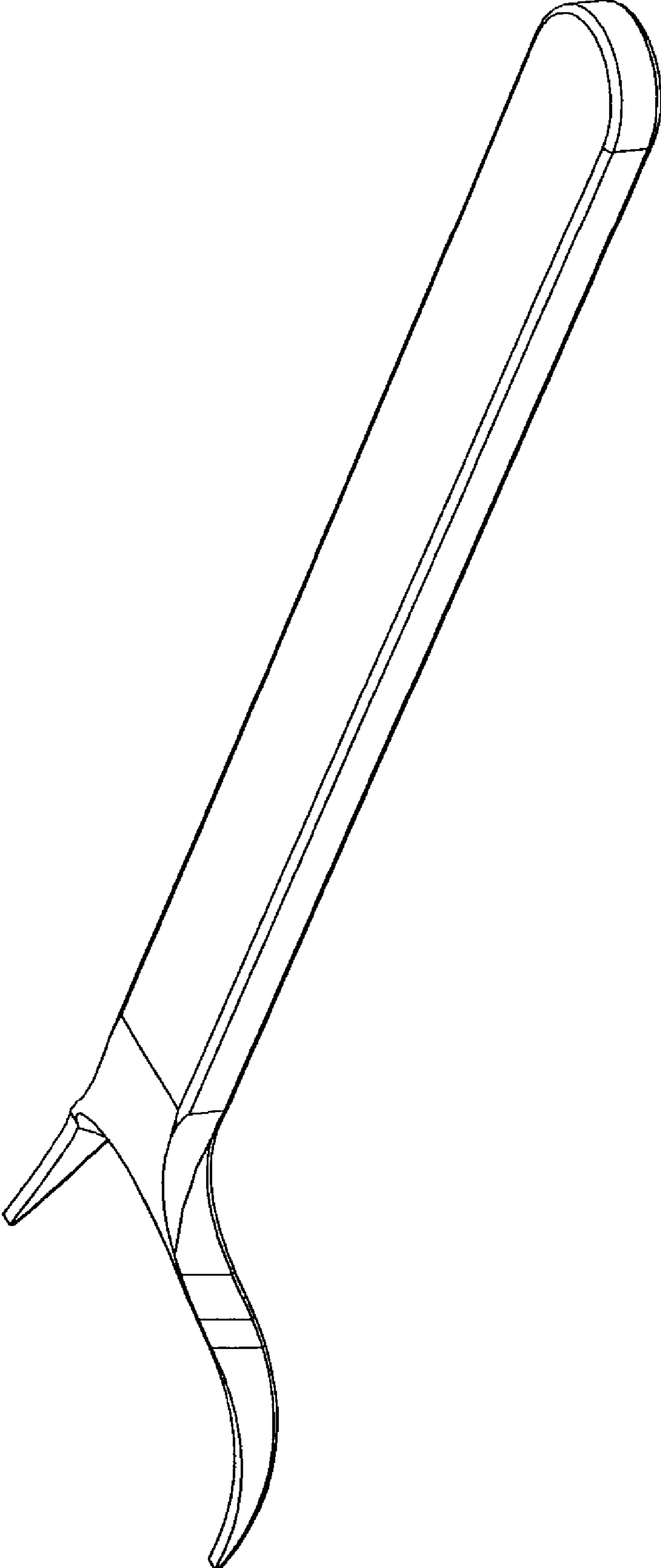


FIGURE 6

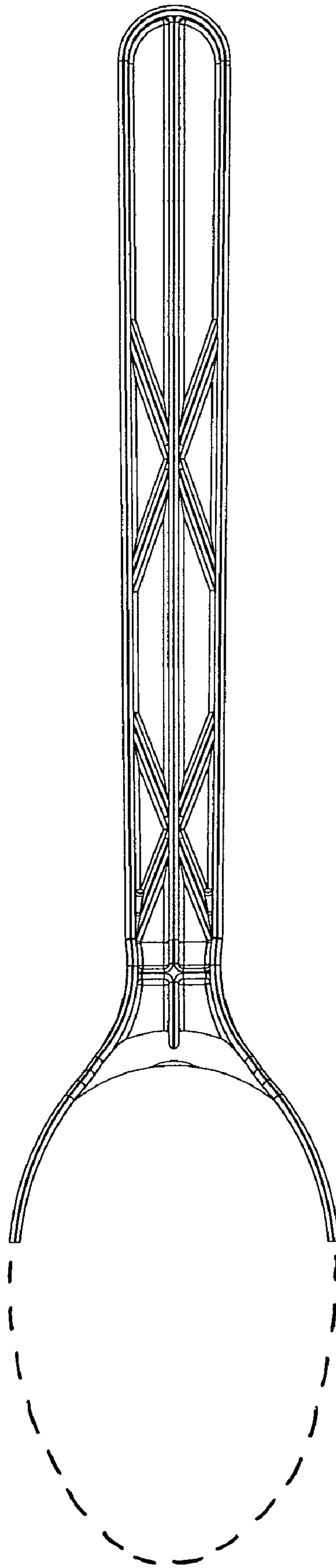


FIGURE 7