



US00D637037S

(12) **United States Design Patent**
Bergne

(10) **Patent No.:** **US D637,037 S**

(45) **Date of Patent:** **** May 3, 2011**

(54) **HANDLE FOR COOKING UTENSIL**

(75) Inventor: **Sebastian Bergne**, London (GB)

(73) Assignee: **Tefal**, Rumilly (FR)

(**) Term: **14 Years**

(21) Appl. No.: **29/363,787**

(22) Filed: **Jun. 14, 2010**

(30) **Foreign Application Priority Data**

Dec. 15, 2009 (FR) 09 6138

(51) **LOC (9) Cl.** **07-02**

(52) **U.S. Cl.** **D7/395**

(58) **Field of Classification Search** D7/354–361,
D7/393–395, 401.2, 664; D8/107, 300, 303,
D8/307, 313, 321; D4/138, 129; 16/421,
16/430, 431, 110.1, 407; 220/573.1–573.5,
220/752, 753, 755, 756, 759, 767, 771, 912
See application file for complete search history.

(56) **References Cited**

U.S. PATENT DOCUMENTS

2,691,552 A * 10/1954 Bauman et al. D7/395
D331,171 S * 11/1992 Berthet D7/395

D342,864 S * 1/1994 Schmidt D7/395
D514,378 S * 2/2006 Magnouloux D7/395
D555,422 S * 11/2007 Munari D7/393
D575,984 S * 9/2008 Coppi D7/393
D579,265 S * 10/2008 Munari D7/393
D584,104 S * 1/2009 Munari D7/393
D591,020 S * 4/2009 Dotterman et al. D7/393

* cited by examiner

Primary Examiner — Cynthia M Chin

(74) *Attorney, Agent, or Firm* — Young & Thompson

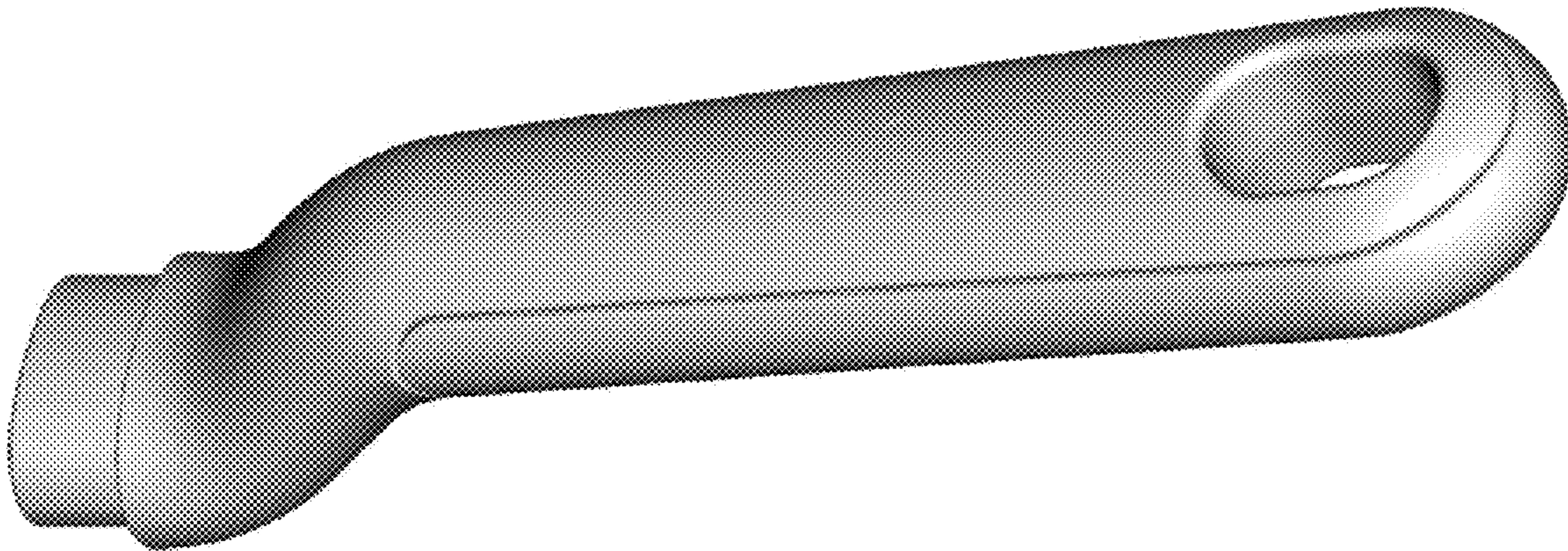
(57) **CLAIM**

The ornamental design for a handle for cooking utensil, as shown and described.

DESCRIPTION

FIG. 1 is a perspective view of a handle for cooking utensil, showing my new design;
FIG. 2 is a side elevational view thereof;
FIG. 3 is a top plan view thereof;
FIG. 4 is a bottom plan view thereof;
FIG. 5 is an enlarged view thereof from the right of FIG. 3; and,
FIG. 6 is an enlarged view thereof from the left of FIG. 3.
The portions of the article shown in broken lines form no part of the claimed design.

1 Claim, 6 Drawing Sheets



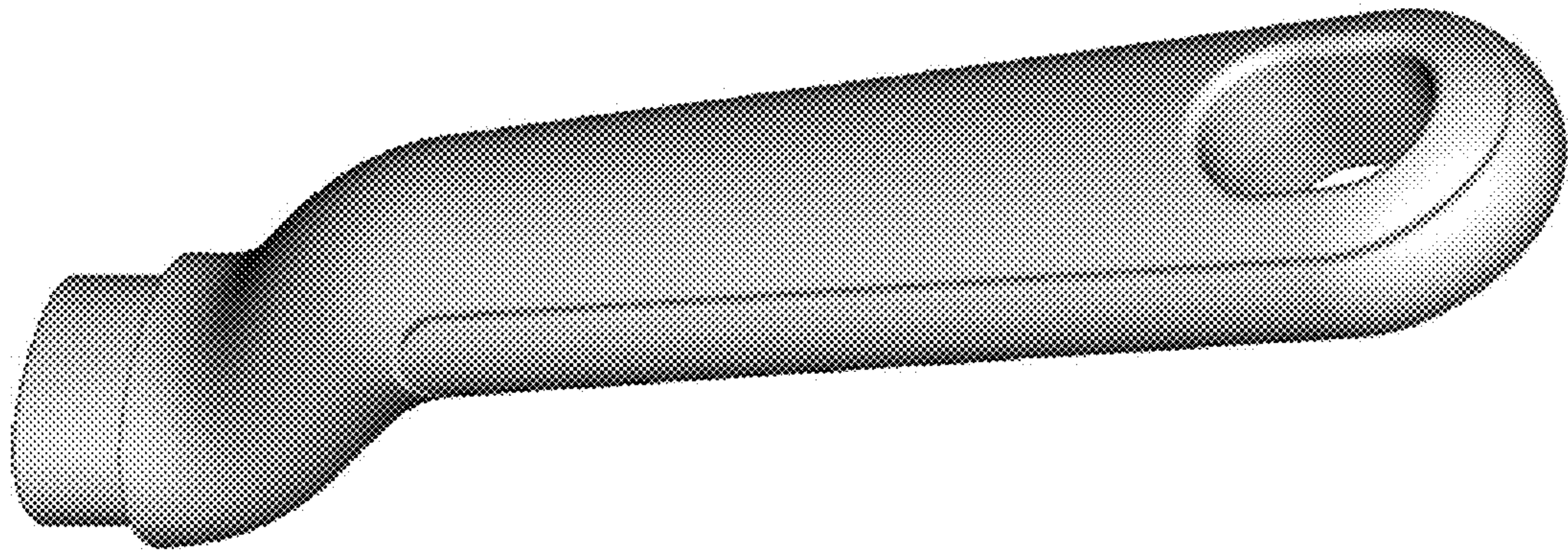


FIG. 1

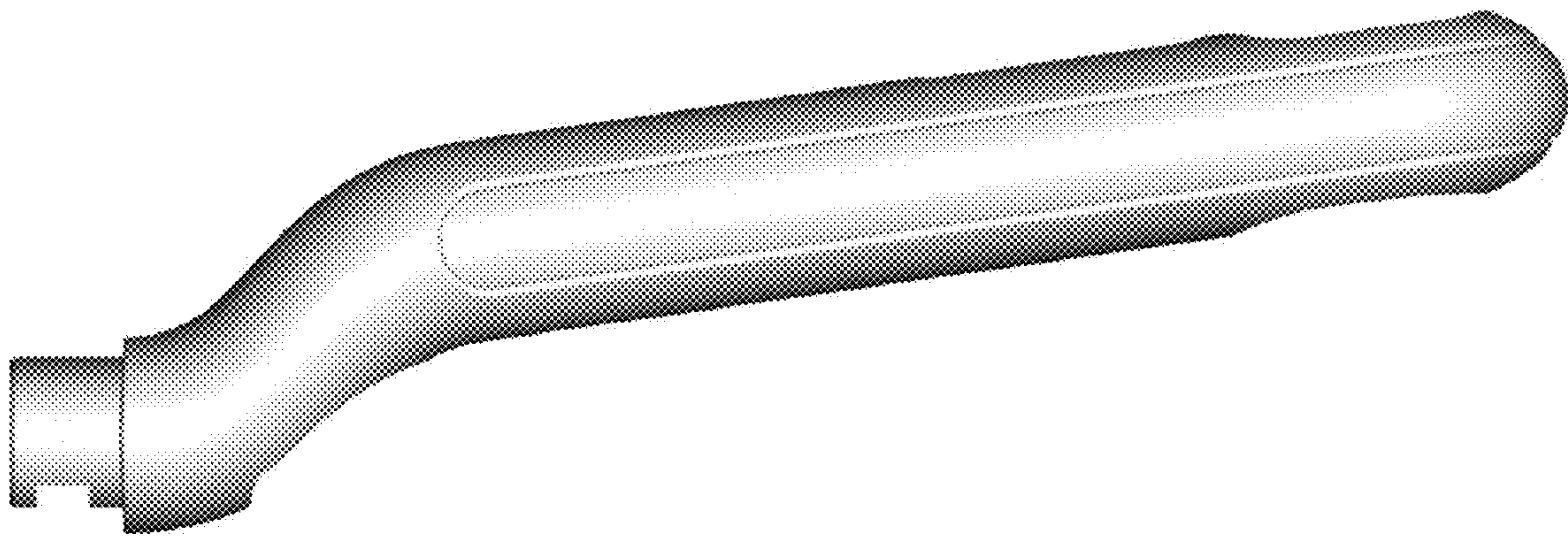


FIG. 2

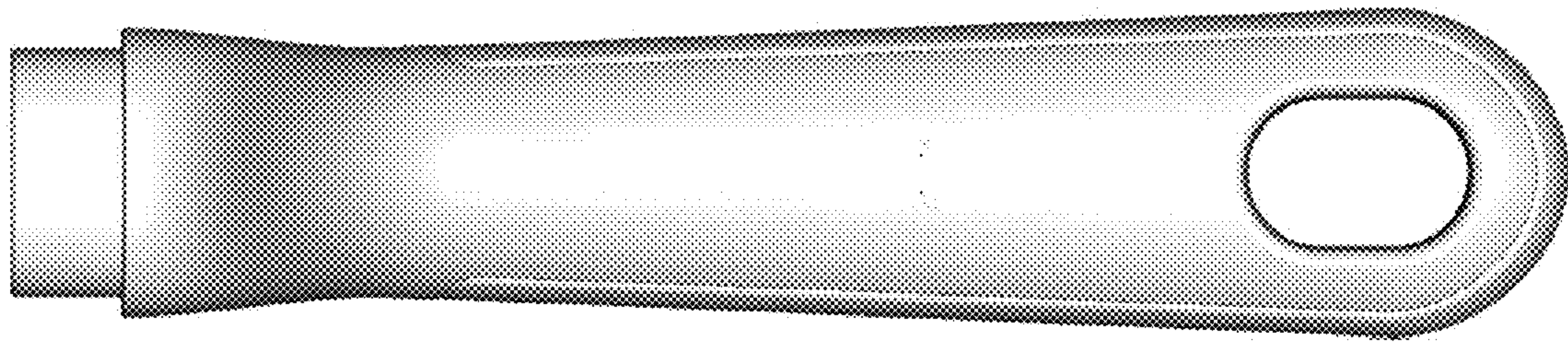


FIG. 3

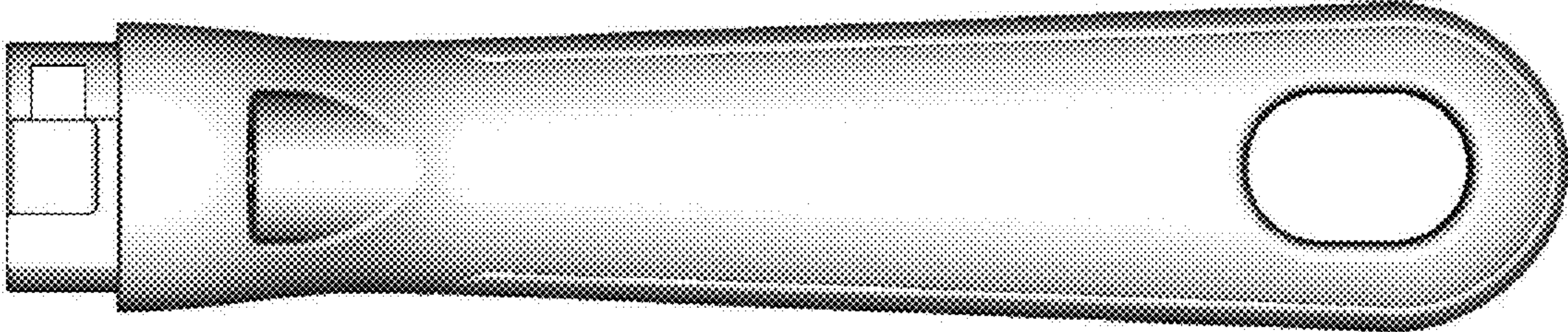


FIG. 4

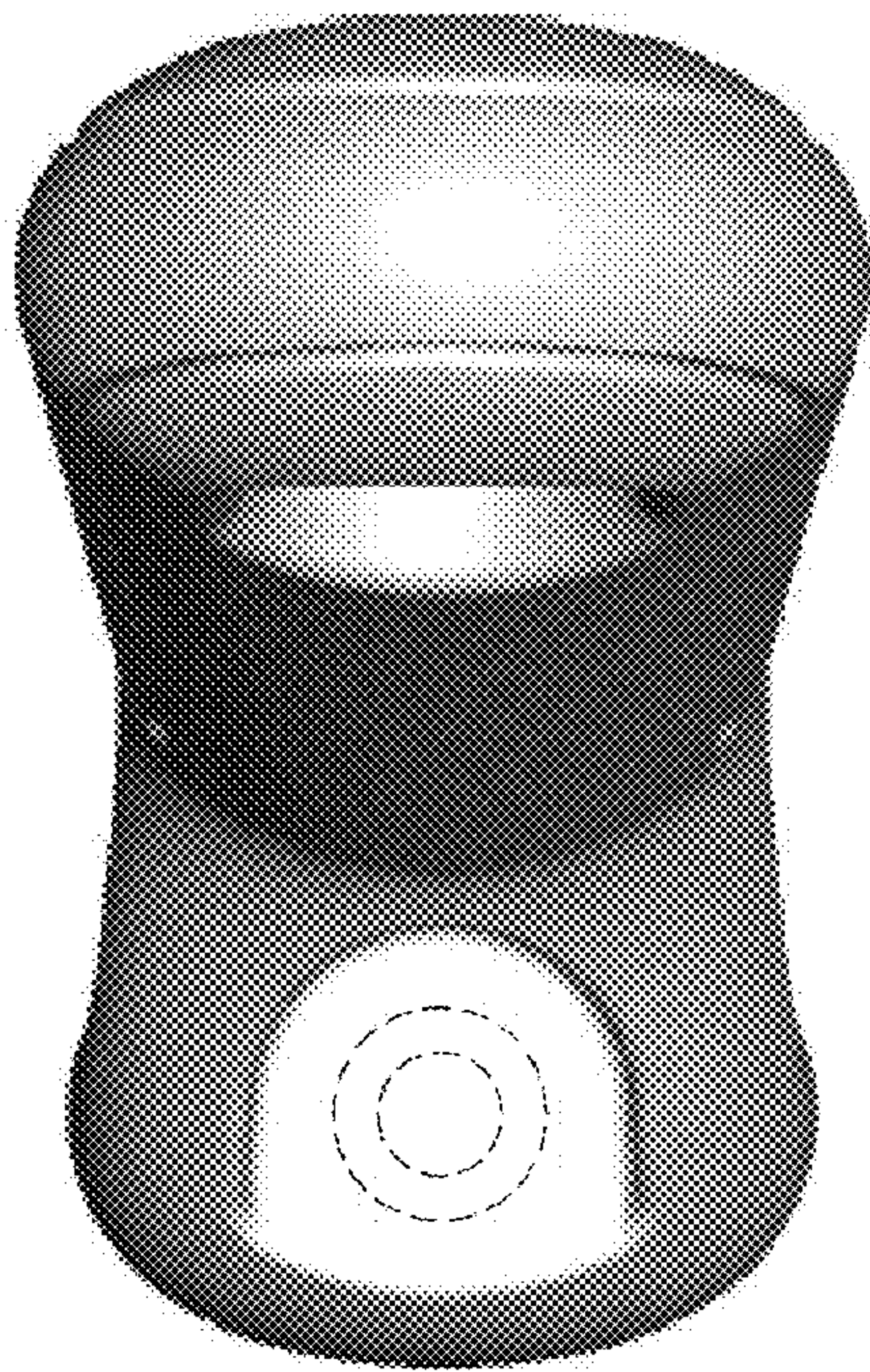


FIG. 5

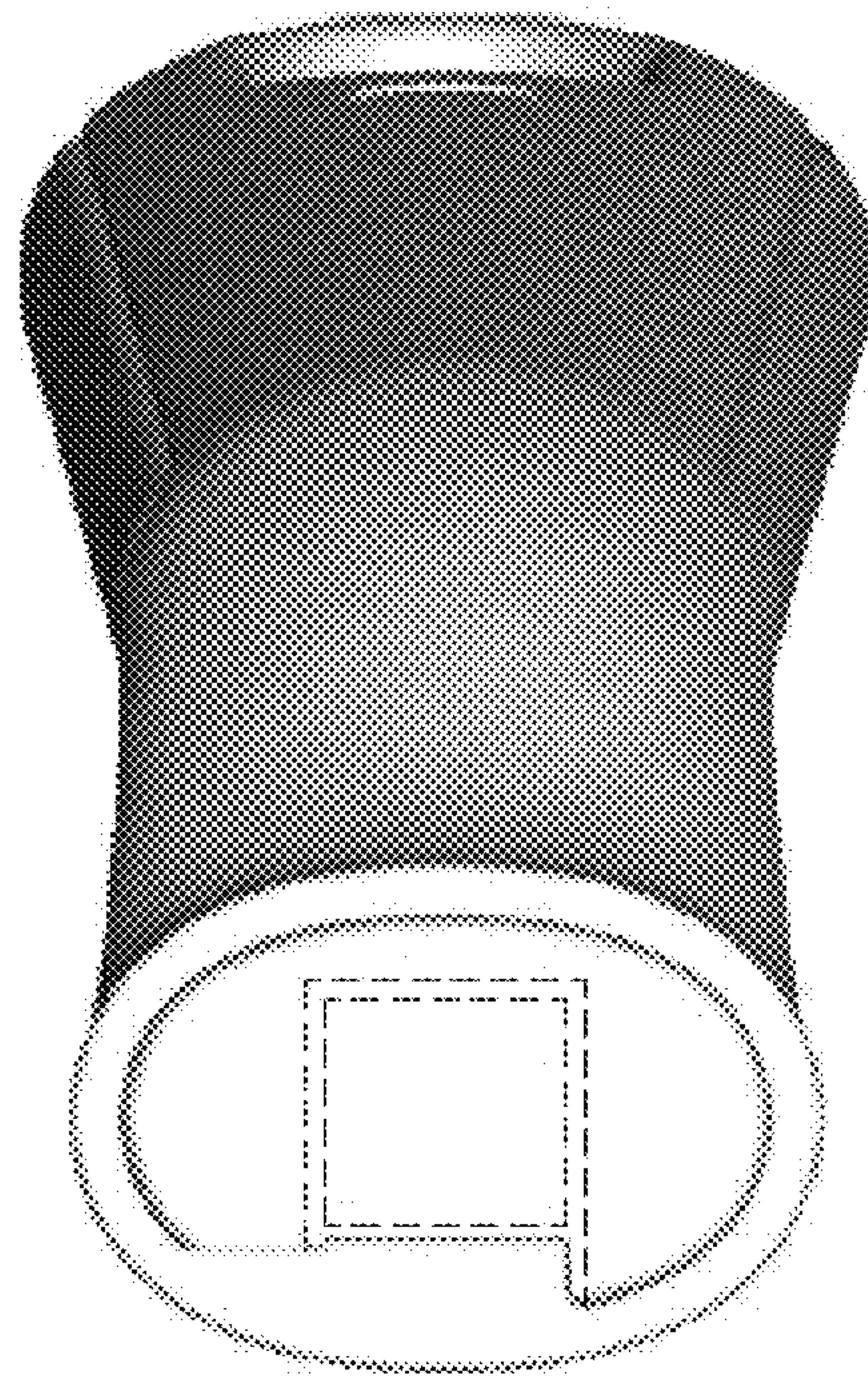


FIG. 6