



US00D637035S

(12) **United States Design Patent**
Zorovich et al.

(10) **Patent No.:** **US D637,035 S**

(45) **Date of Patent:** **** May 3, 2011**

(54) **STAND FOR A COMESTIBLE MAKER**

(75) Inventors: **Kenneth D. Zorovich**, Hoboken, NJ (US); **Yos Kumthampinij**, Edgewater, NJ (US); **John C. Earle**, Annapolis, MD (US)

(73) Assignee: **Propeller, Inc.**, Hoboken, NJ (US)

(**) Term: **14 Years**

(21) Appl. No.: **29/361,885**

(22) Filed: **May 17, 2010**

(51) **LOC (9) Cl.** **07-01**

(52) **U.S. Cl.** **D7/388; D7/397; D7/387**

(58) **Field of Classification Search** D7/387, D7/388, 601, 386, 396.6, 401.1, 403, 505, D7/397; 99/290; 248/153, 118; D6/464
See application file for complete search history.

(56) **References Cited**

U.S. PATENT DOCUMENTS

2,561,001 A * 7/1951 Ward 132/73
D216,641 S * 2/1970 Phillips D14/253
D286,354 S * 10/1986 Bussell D6/536
D296,693 S * 7/1988 Davidson D14/149

D308,317 S * 6/1990 Koziol D7/409
5,169,103 A * 12/1992 Jimenez et al. 248/118
5,184,795 A * 2/1993 Sexton 248/118
5,722,622 A * 3/1998 Gustafson 248/118
5,947,272 A * 9/1999 Park 206/77.1
D492,542 S * 7/2004 Pitteurs D7/388
D505,523 S * 5/2005 Rahman D30/133
D580,230 S * 11/2008 Arney D7/601

* cited by examiner

Primary Examiner — Marianne Pandozzi

(74) *Attorney, Agent, or Firm* — Greenberg Traurig, LLP

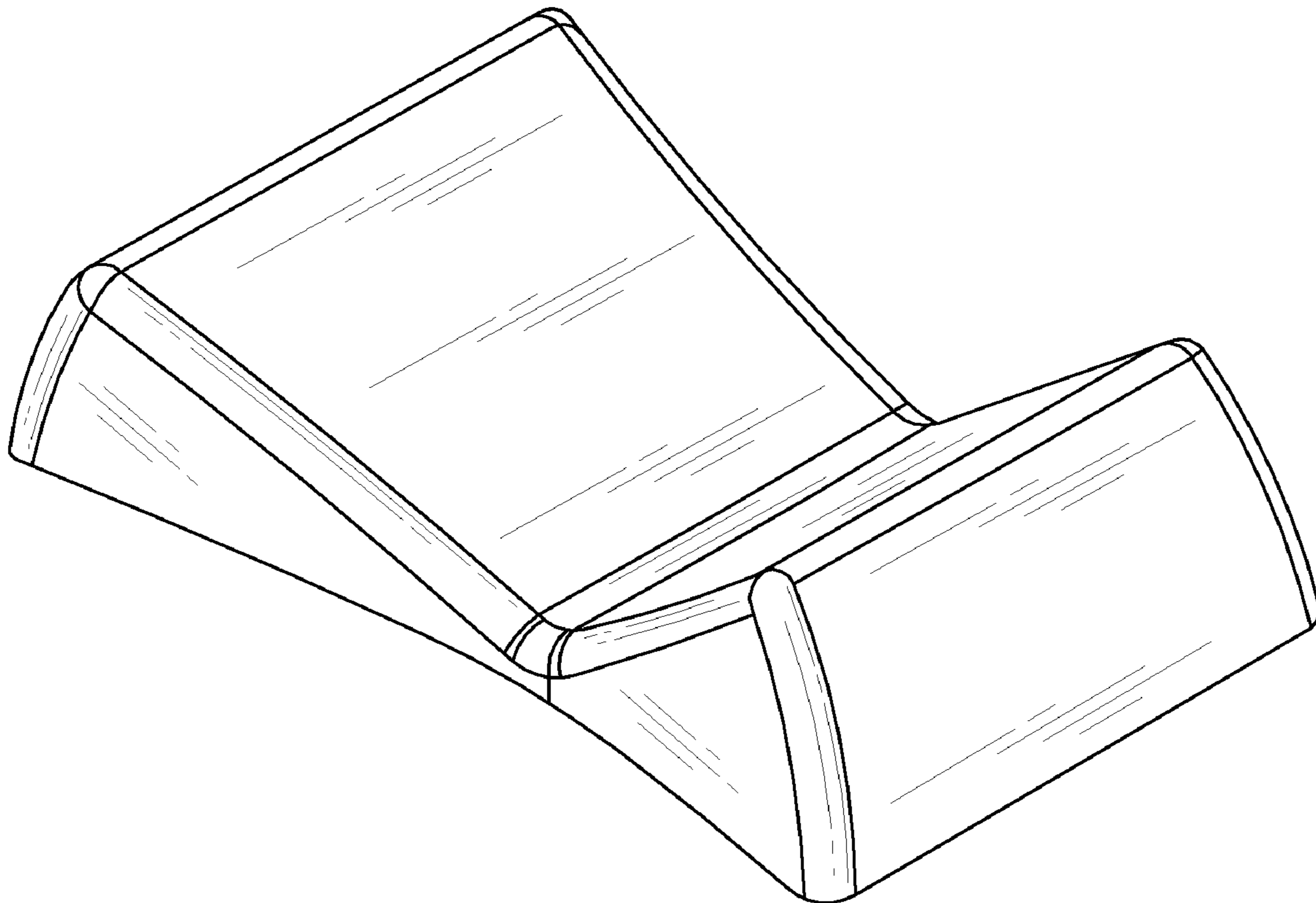
(57) **CLAIM**

The ornamental design for a stand for a comestible maker, as shown and described.

DESCRIPTION

FIG. 1 is a perspective view of a stand for a comestible maker showing a first embodiment of our new design; FIG. 2 is a top plan view thereof; FIG. 3 is a rear elevational view thereof; FIG. 4 is a front elevational view thereof; FIG. 5 is a left side elevational view thereof, the right side elevational view being a mirror image of FIG. 5; and, FIG. 6 is a bottom plan view thereof.

1 Claim, 3 Drawing Sheets



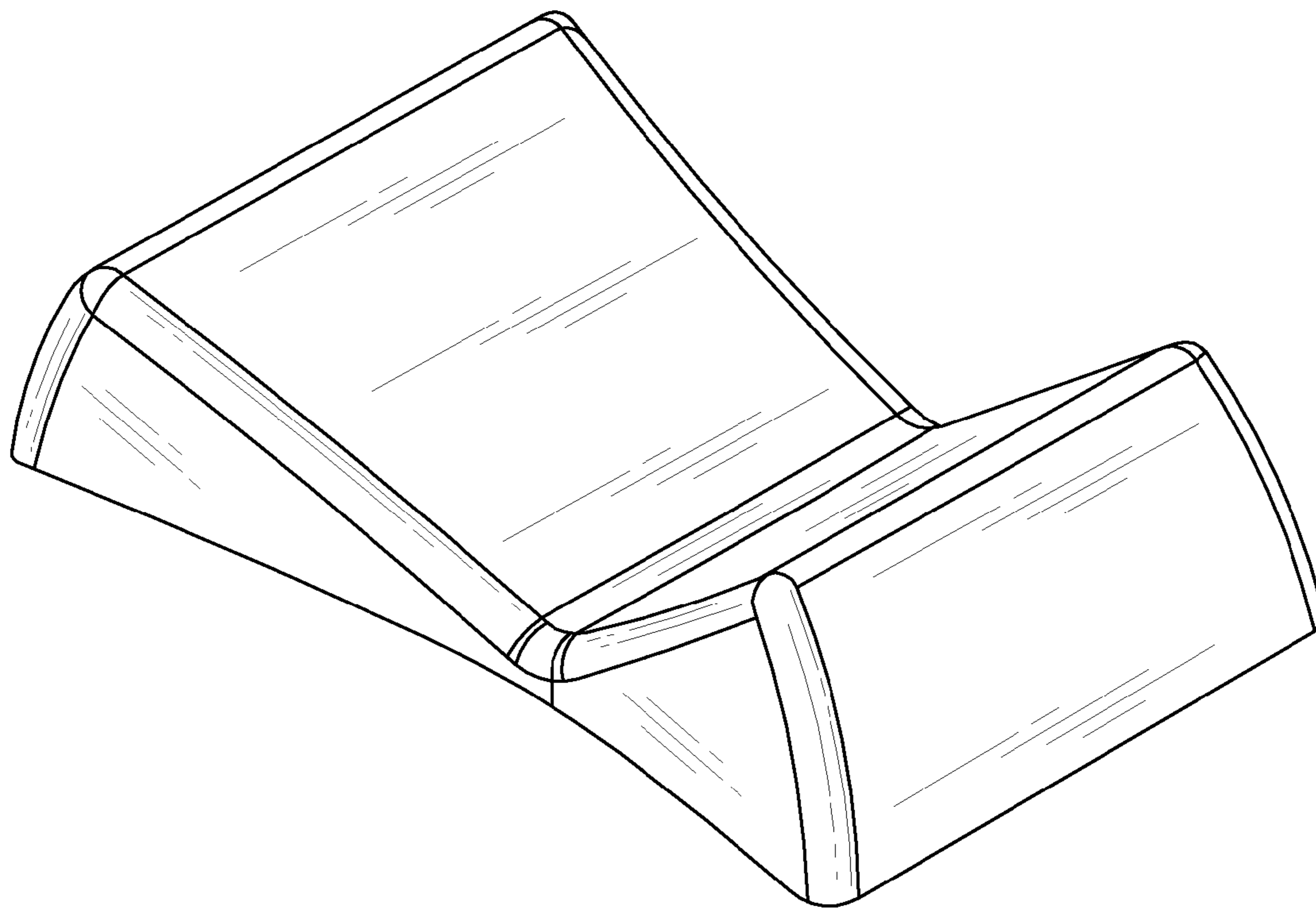


FIG. 1

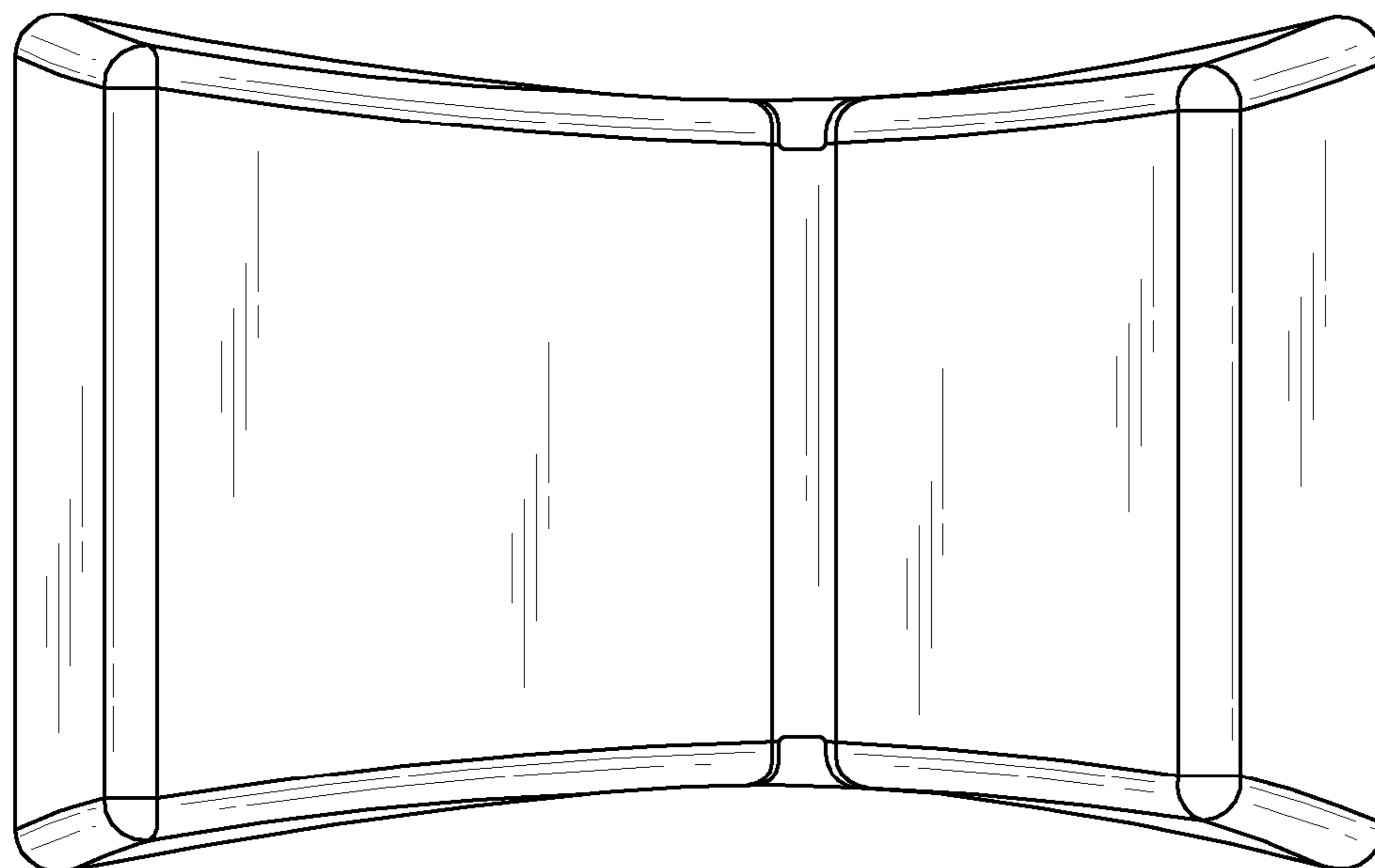


FIG. 2



FIG. 3

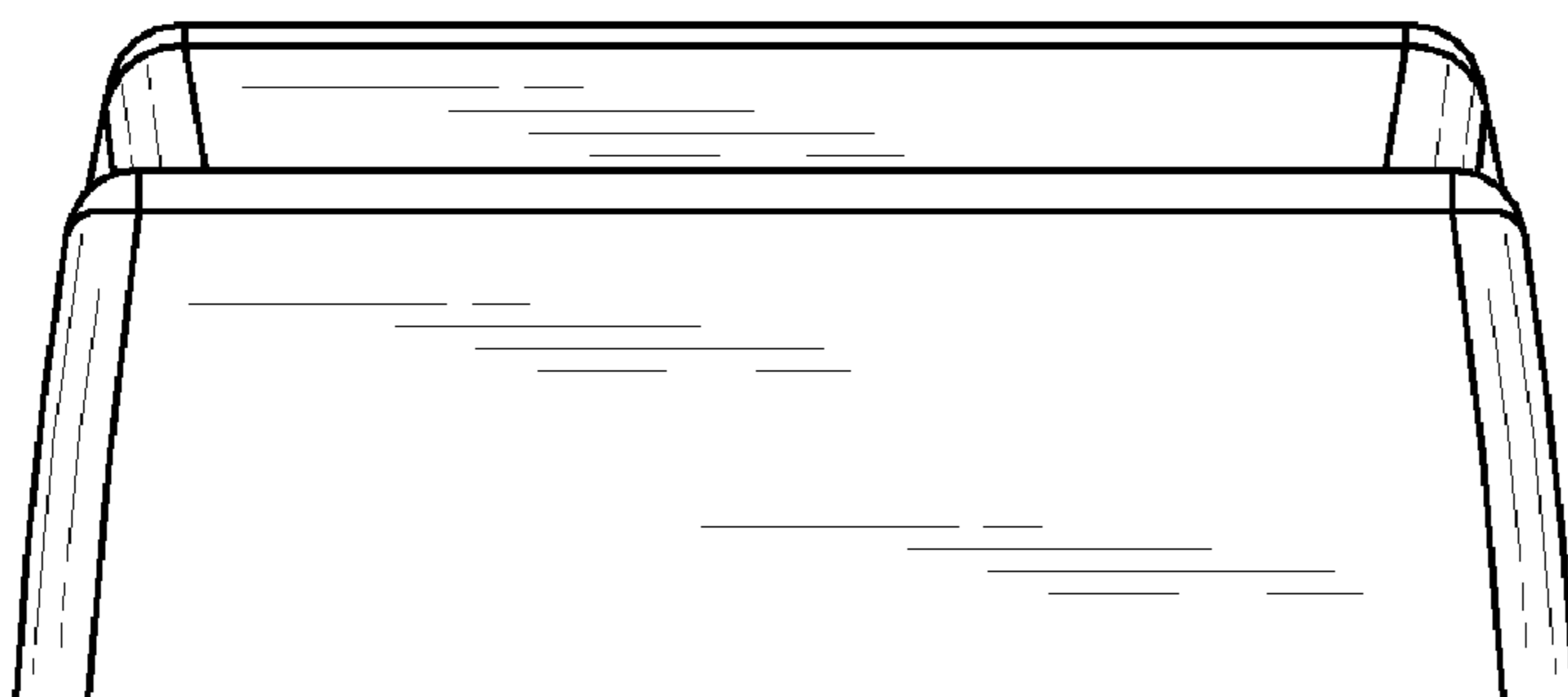


FIG. 4

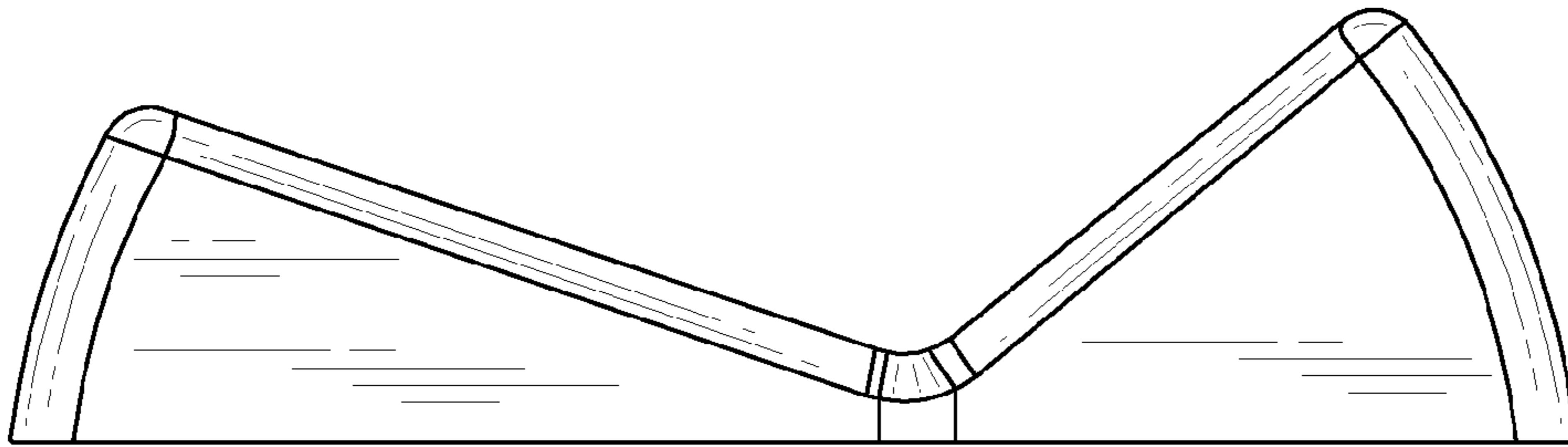


FIG. 5

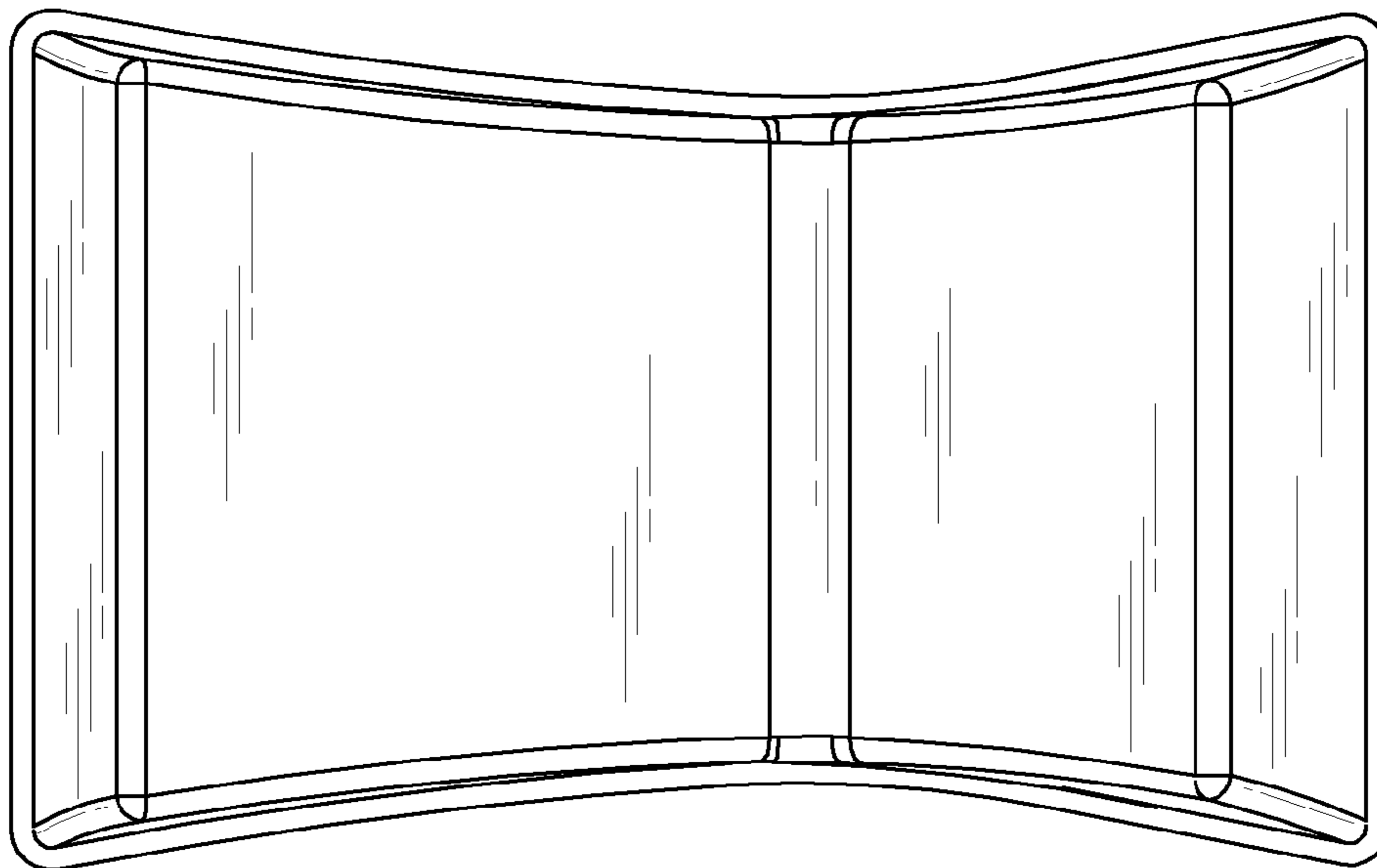


FIG. 6