



US00D637034S

(12) **United States Design Patent**  
**Bodum**

(10) **Patent No.:** **US D637,034 S**  
(45) **Date of Patent:** **\*\* May 3, 2011**

(54) **PICNIC GRILL**

(75) Inventor: **Jørgen Bodum**, Meggen (CH)

(73) Assignee: **Pi-Design AG**, Triengen (CH)

(\*\*) Term: **14 Years**

(21) Appl. No.: **29/356,199**

(22) Filed: **Feb. 22, 2010**

(30) **Foreign Application Priority Data**

Aug. 26, 2009 (WO) ..... DM/072 218

(51) **LOC (9) Cl.** ..... **07-02**

(52) **U.S. Cl.** ..... **D7/337**

(58) **Field of Classification Search** ..... D7/394,  
D7/332, 334-337, 402-404; 126/25 R, 9 R,  
126/40, 50, 41 R, 38; 431/344; 99/425  
See application file for complete search history.

(56) **References Cited**

**U.S. PATENT DOCUMENTS**

4,453,530	A	6/1984	Schlosser	
4,498,452	A	2/1985	Schlosser et al.	
4,535,749	A	8/1985	Schlosser et al.	
D284,929	S *	8/1986	Schlosser et al.	D7/332
4,836,179	A	6/1989	Schlosser et al.	
D352,865	S *	11/1994	Pai	D7/337
D355,566	S	2/1995	Stephen et al.	
5,572,983	A	11/1996	Schlosser et al.	
D376,510	S *	12/1996	Ting	D7/332
D415,653	S	10/1999	Schlosser et al.	
D463,707	S *	10/2002	Bossler	D7/332
D482,561	S *	11/2003	Yeh	D7/332
D504,798	S *	5/2005	Nipke et al.	D7/402
D508,364	S *	8/2005	Nipke et al.	D7/334
D511,640	S *	11/2005	Nipke et al.	D7/337

**OTHER PUBLICATIONS**

U.S. Trademark No. 1481521, filed Oct. 22, 1979, registered Mar. 22, 1988.

U.S. Trademark No. 1478530, filed Oct. 22, 1979, registered Mar. 1, 1988.

U.S. Trademark No. 1479505, filed Oct. 15, 1979, registered Mar. 8, 1988.

U.S. Trademark No. 1481520, filed Aug. 7, 1978, registered Mar. 22, 1988.

U.S. Trademark No. 1466756, filed Apr. 1, 1987, registered Nov. 24, 1987.

U.S. Trademark No. 2540282, filed Apr. 23, 2001, registered Feb. 19, 2002.

U.S. Trademark No. 2540281, filed Apr. 23, 2001, registered Feb. 19, 2002.

The Weber® Smokey Joe®, print out from www.weberbbq.com.au.

\* cited by examiner

*Primary Examiner* — Ruth McInroy

(74) *Attorney, Agent, or Firm* — Sughrue Mion, PLLC

(57) **CLAIM**

The ornamental design for a picnic grill, as shown and described.

**DESCRIPTION**

FIG. 1 is a perspective view of a picnic grill showing my new design;

FIG. 2 is a front view thereof;

FIG. 3 is a back view thereof;

FIG. 4 is a left view thereof;

FIG. 5 is a right side view thereof;

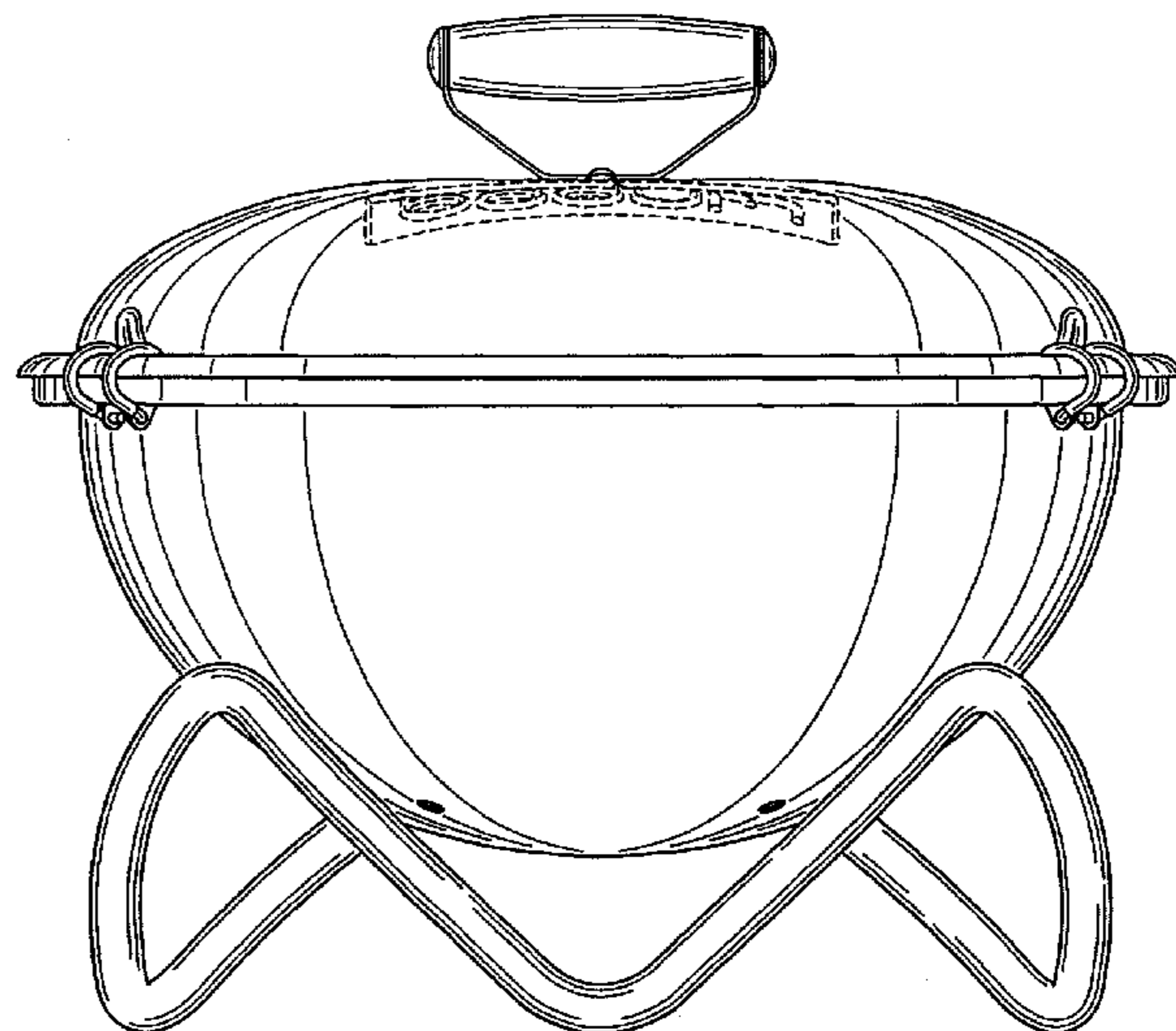
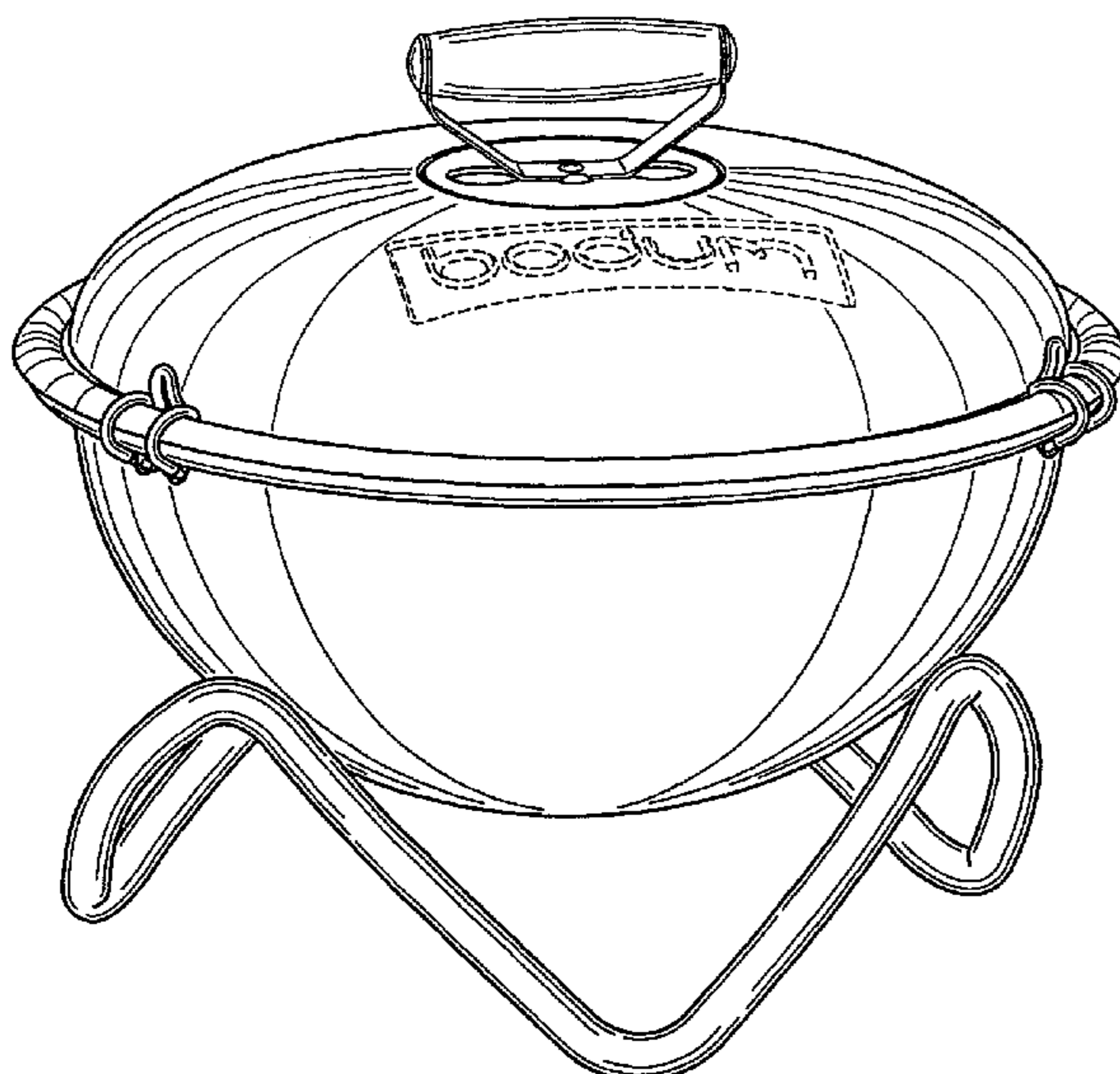
FIG. 6 is a top view thereof;

FIG. 7 is a bottom view of thereof; and,

FIG. 8 is a sectional view taken along lines 8—8 in FIG. 4.

The broken lines depict environmental subject matter only and form no part of the claimed design.

**1 Claim, 8 Drawing Sheets**



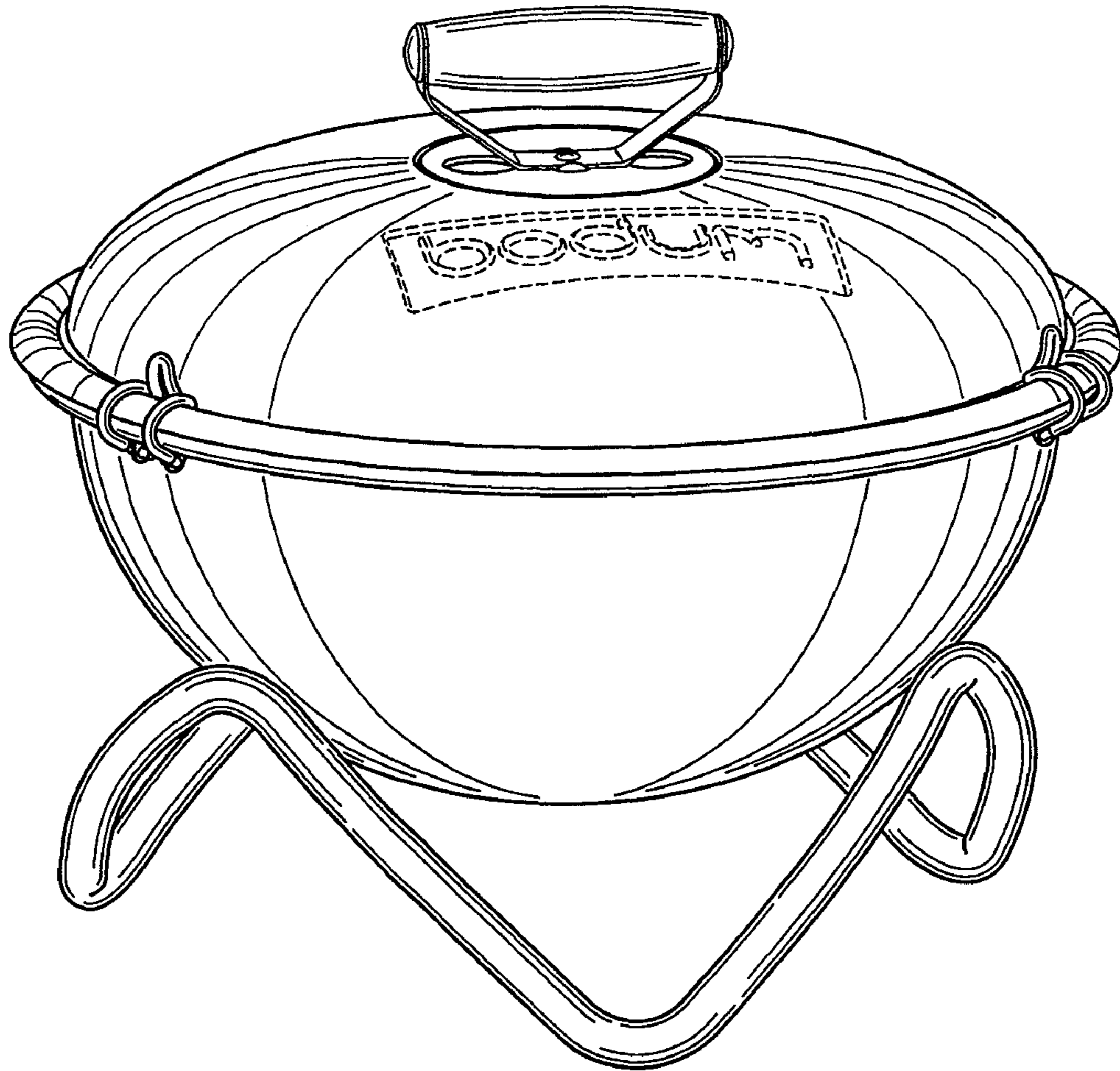


FIG. 1

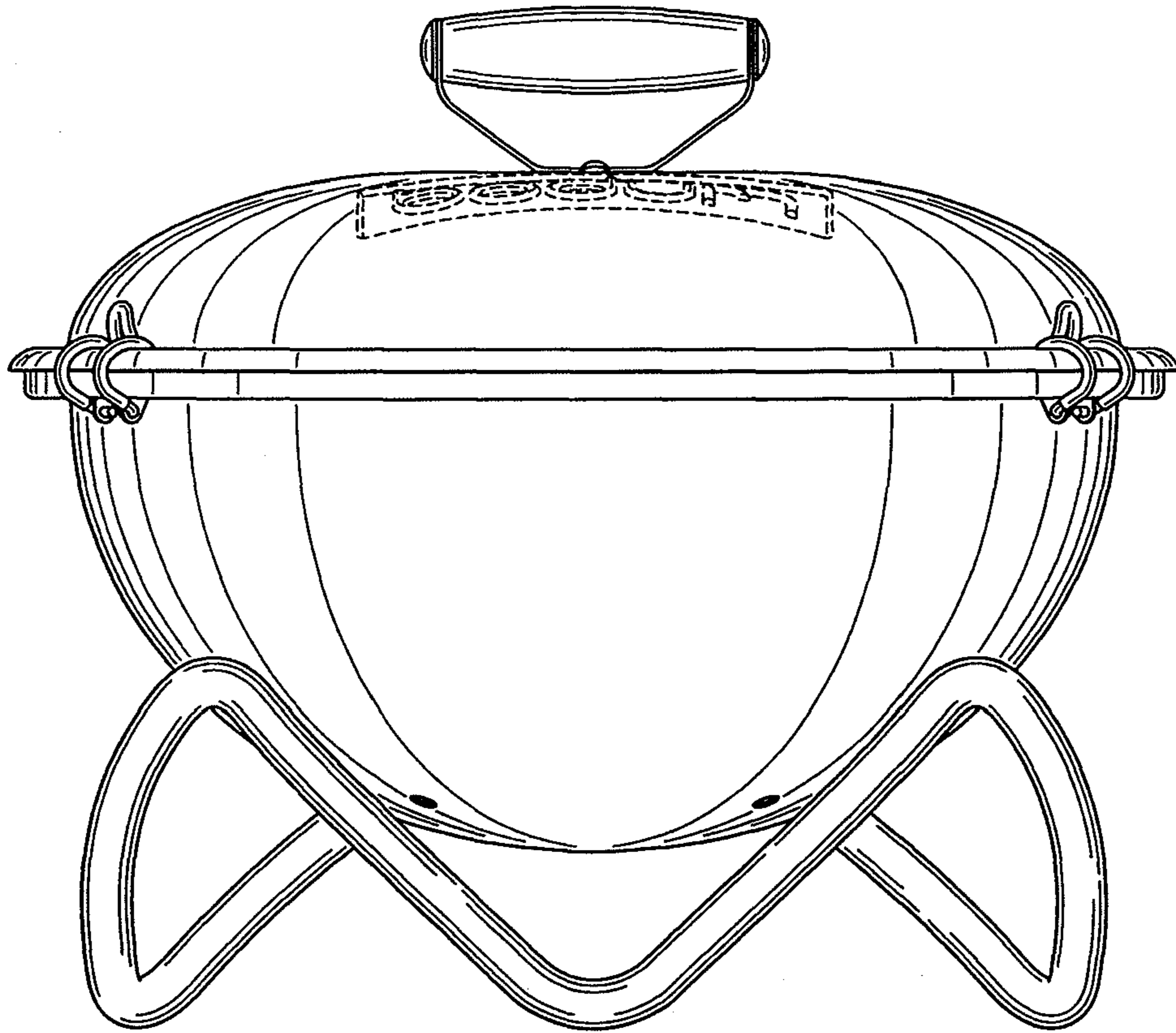


FIG. 2



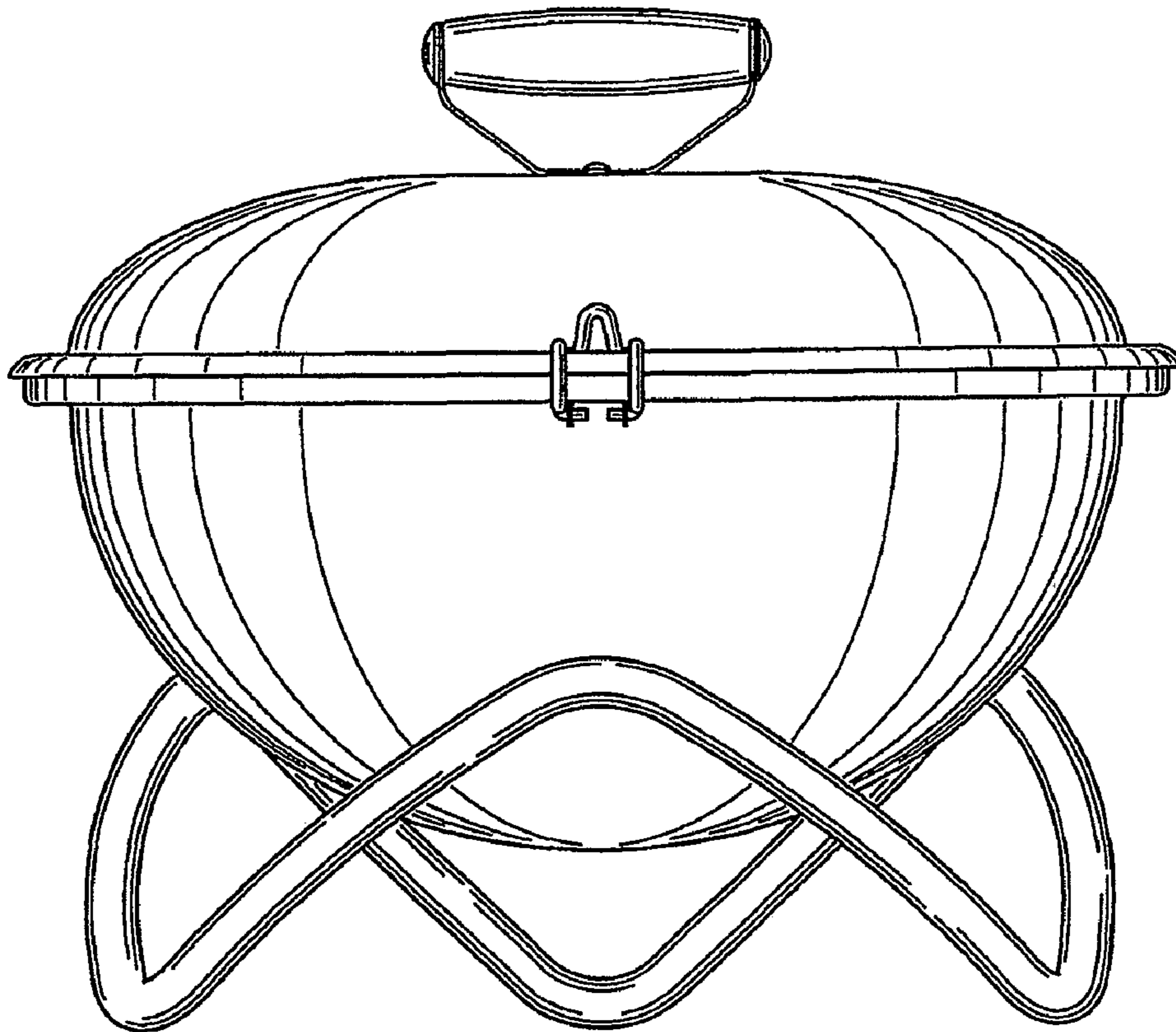


FIG. 3

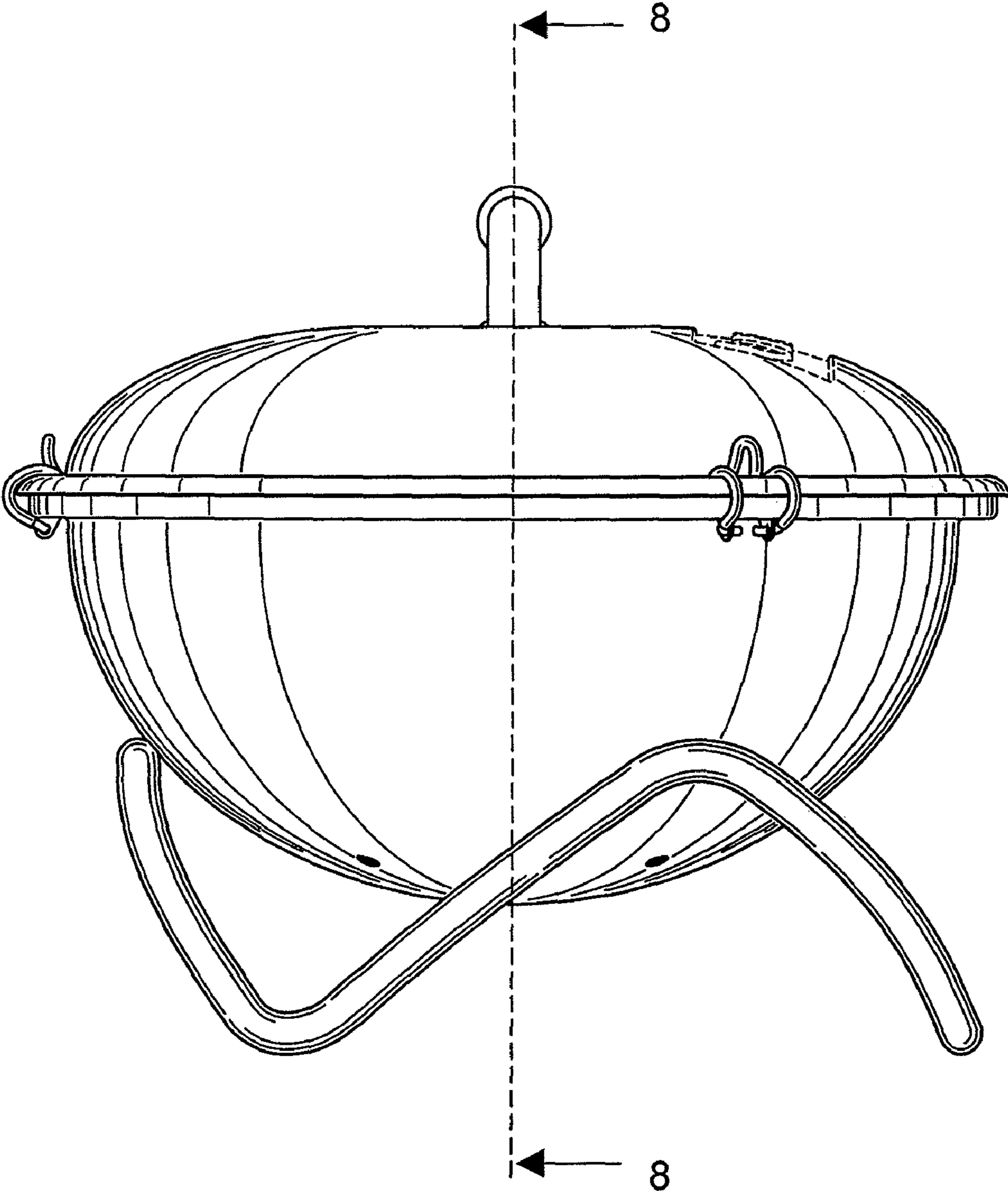


FIG. 4

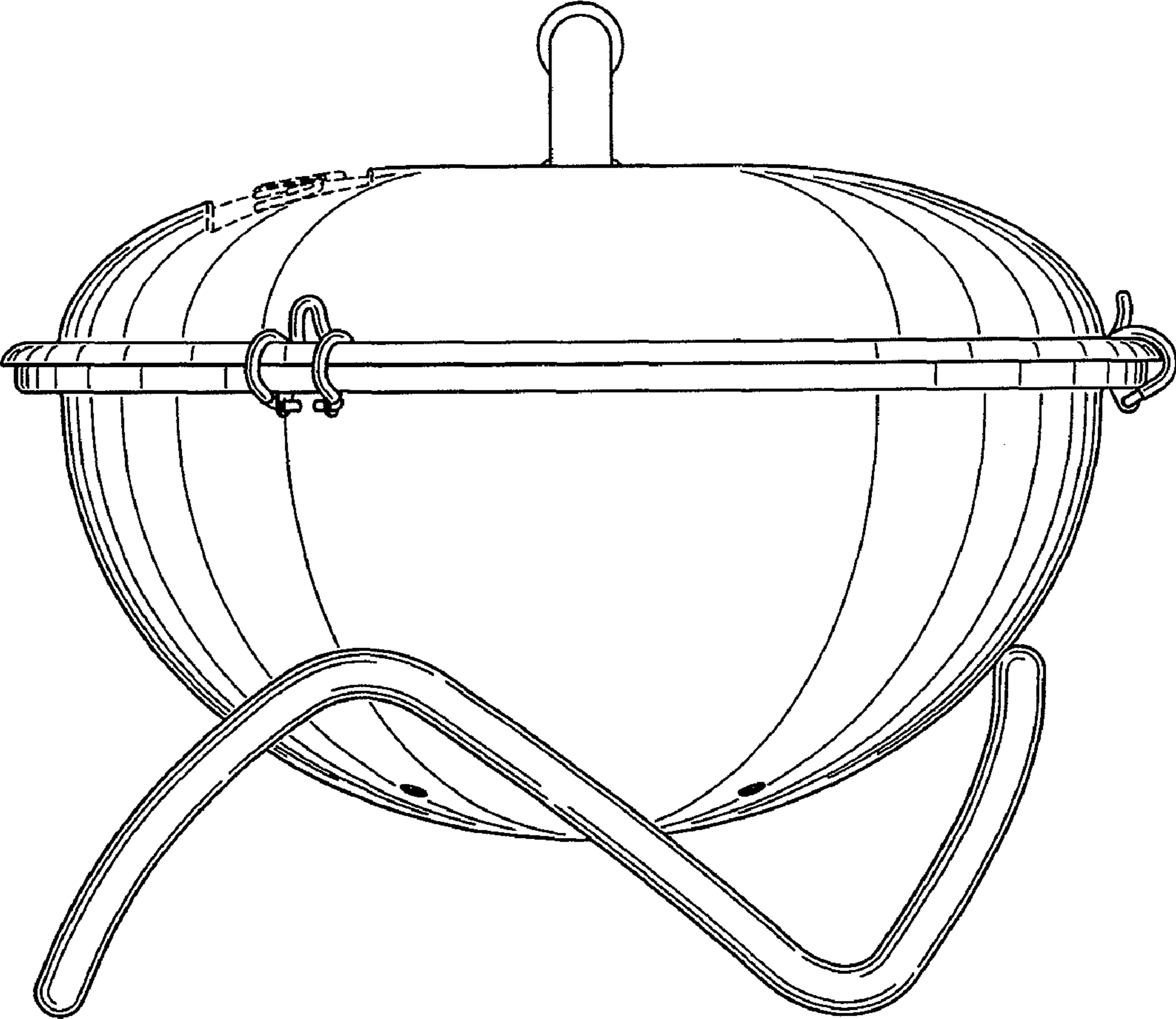


FIG. 5

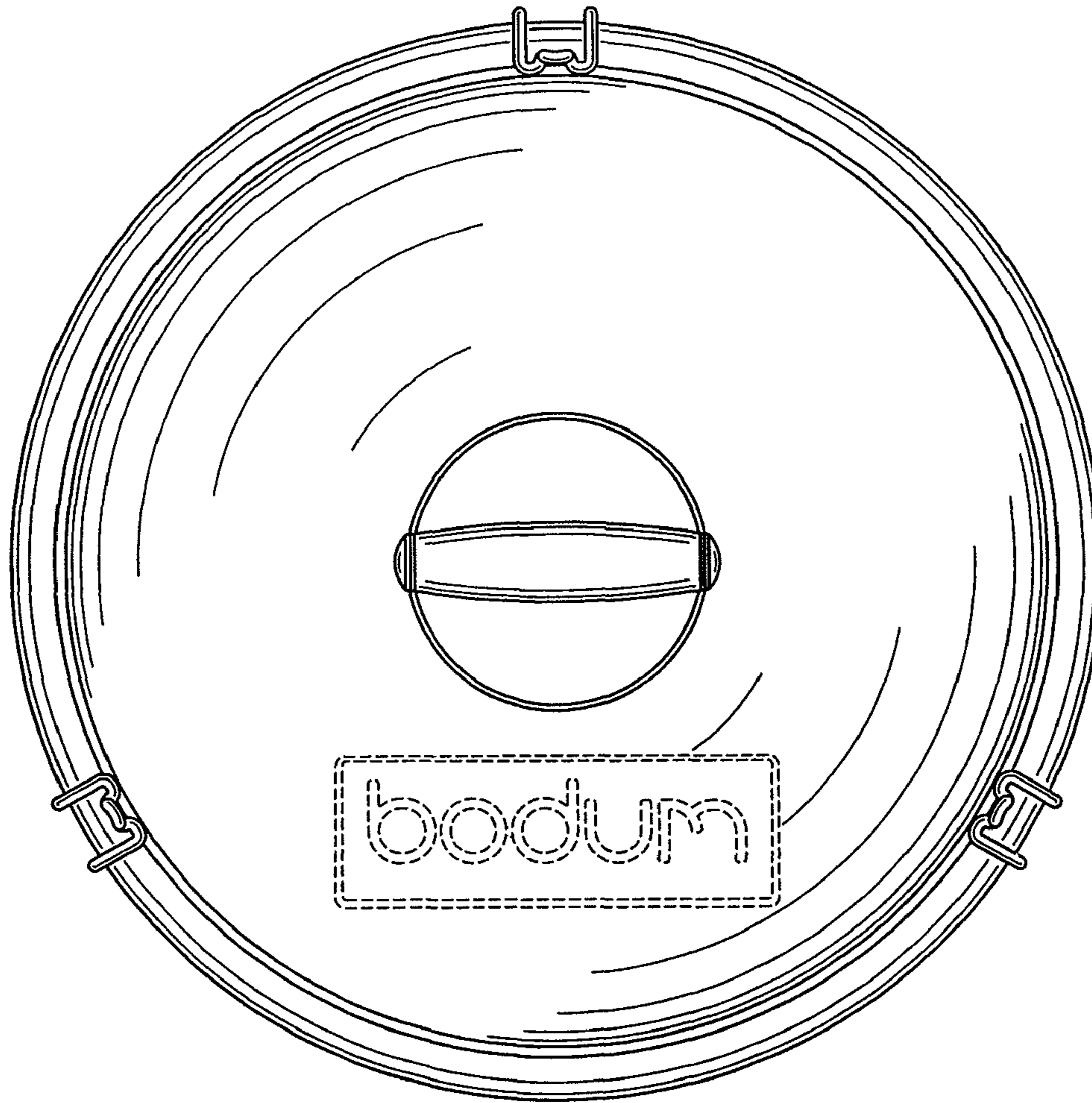


FIG. 6



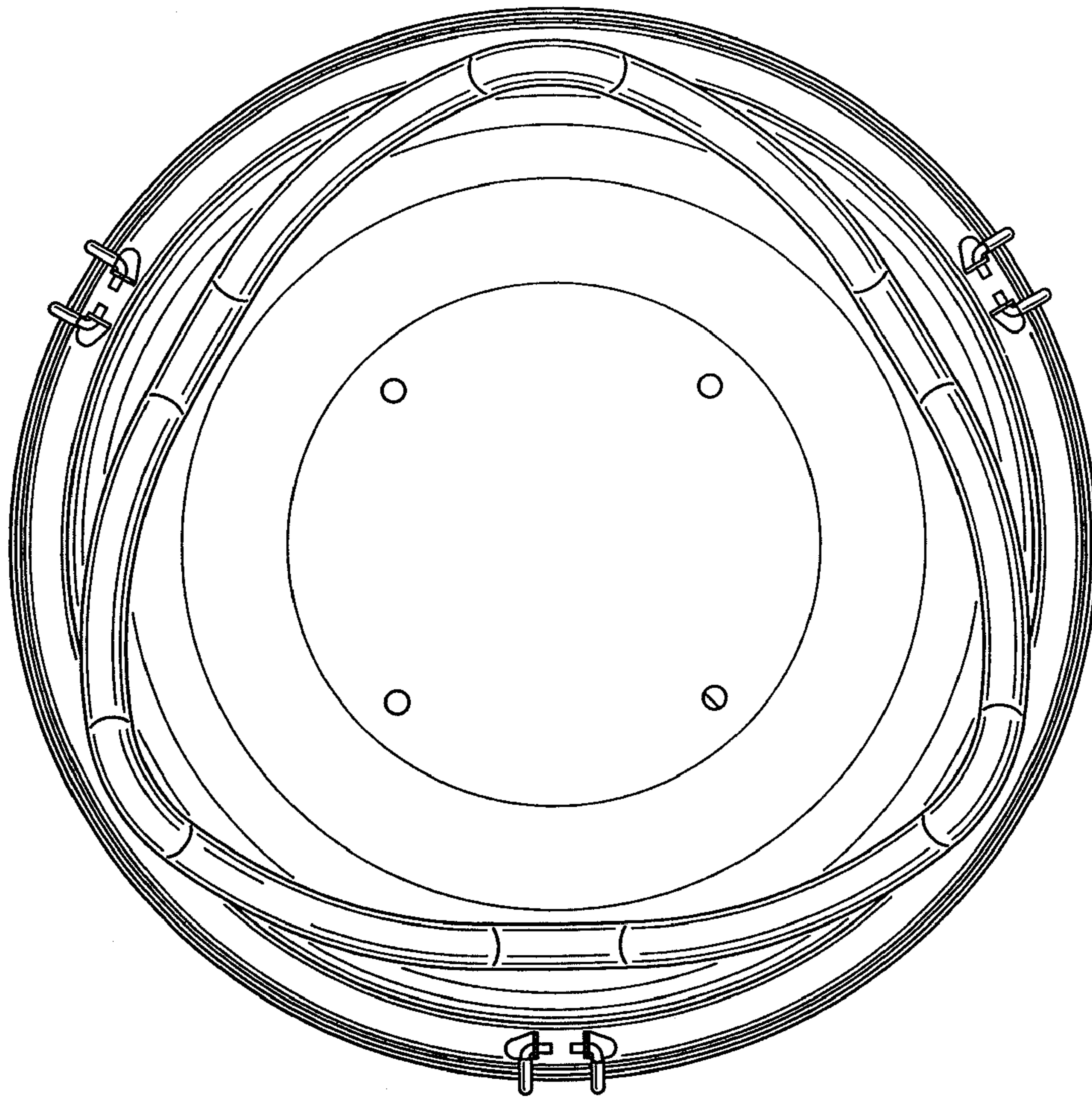


FIG. 7



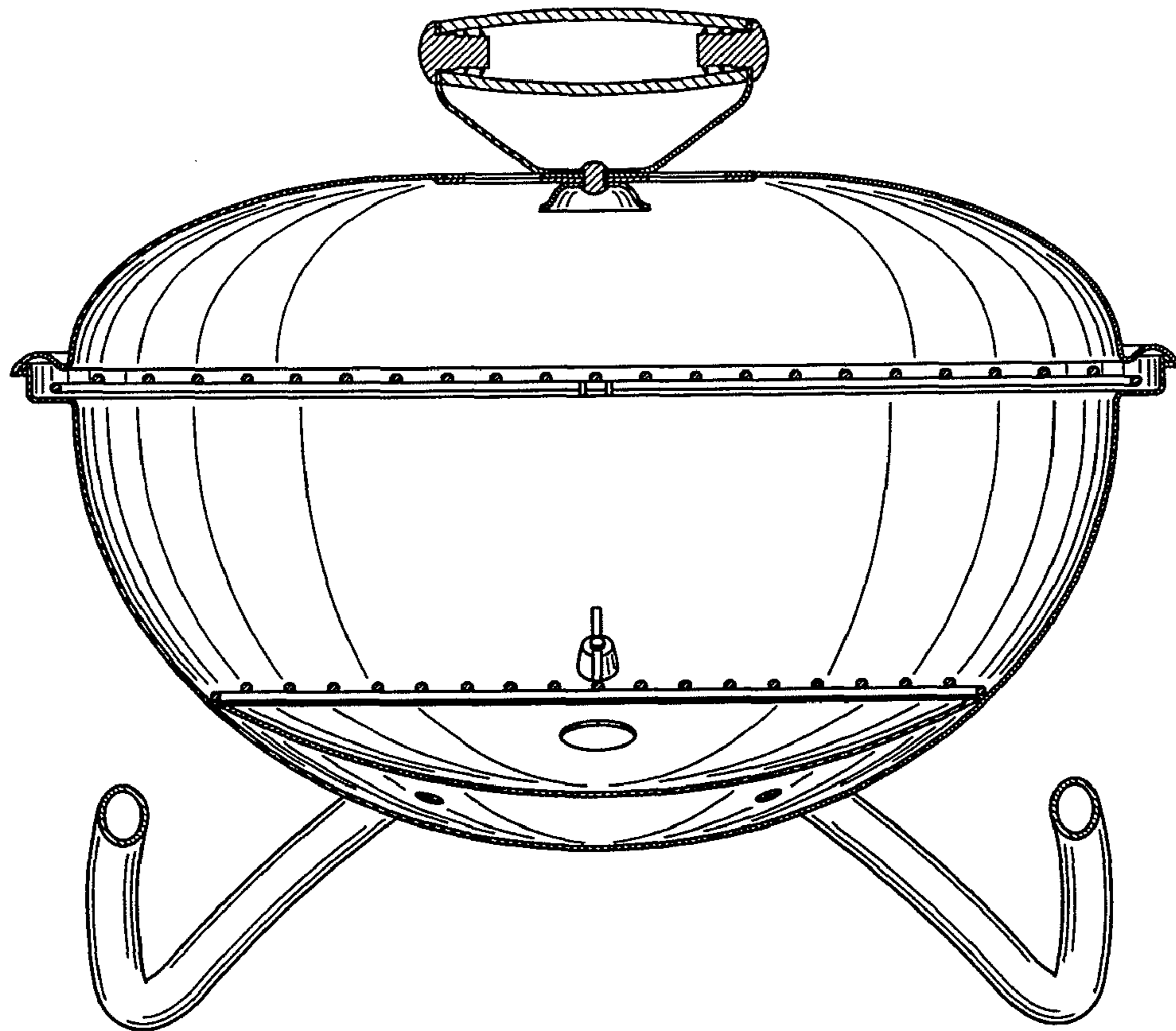


FIG. 8