



US00D637033S

(12) **United States Design Patent**
Passariello

(10) **Patent No.:** **US D637,033 S**

(45) **Date of Patent:** **** May 3, 2011**

(54) **LOUNGE CHAIR BEACH TOWEL**
(76) **Inventor:** **Christopher Passariello**, Las Vegas, NV
(US)

(**) **Term:** **14 Years**

(21) **Appl. No.:** **29/360,509**

(22) **Filed:** **Apr. 27, 2010**

(51) **LOC (9) Cl.** **06-13**

(52) **U.S. Cl.** **D6/608**

(58) **Field of Classification Search** D6/582,
D6/595-600, 602, 603, 606, 608-611, 613,
D6/616, 617; D2/860; 5/417-420; 15/118,
15/208, 209.1, 222; 297/219.1, 228.1, 228.11,
297/229; 428/52, 88

See application file for complete search history.

(56) **References Cited**

U.S. PATENT DOCUMENTS

4,223,056	A *	9/1980	Di Fronzo	428/52
4,725,094	A	2/1988	Greer		
D369,498	S	5/1996	Newcomb		
D470,705	S *	2/2003	Tweel	D6/616
D479,084	S *	9/2003	Tweel	D6/617
6,645,599	B1 *	11/2003	Gabriele	428/88
D506,099	S *	6/2005	Muse	D6/608

D526,152	S *	8/2006	Scott	D6/608
D620,741	S *	8/2010	Pride-Darrington et al.	..	D6/608
D627,951	S *	11/2010	Chesal et al.	D2/860
2001/0035672	A1 *	11/2001	Graff	297/229
2008/0281701	A1 *	11/2008	Scheiner	297/228.11
2009/0001790	A1	1/2009	Williams		

* cited by examiner

Primary Examiner — Mary Ann Calabrese

(74) *Attorney, Agent, or Firm* — Crossley Patent Law; Mark A. Crossley

(57) **CLAIM**

The ornamental design for a lounge chair beach towel, as shown and described.

DESCRIPTION

FIG. 1 is a top plan view of a lounge chair beach towel showing my new design;

FIG. 2 is a bottom plan view thereof;

FIG. 3 is a right elevation view thereof, the opposite side being a mirror image of that shown;

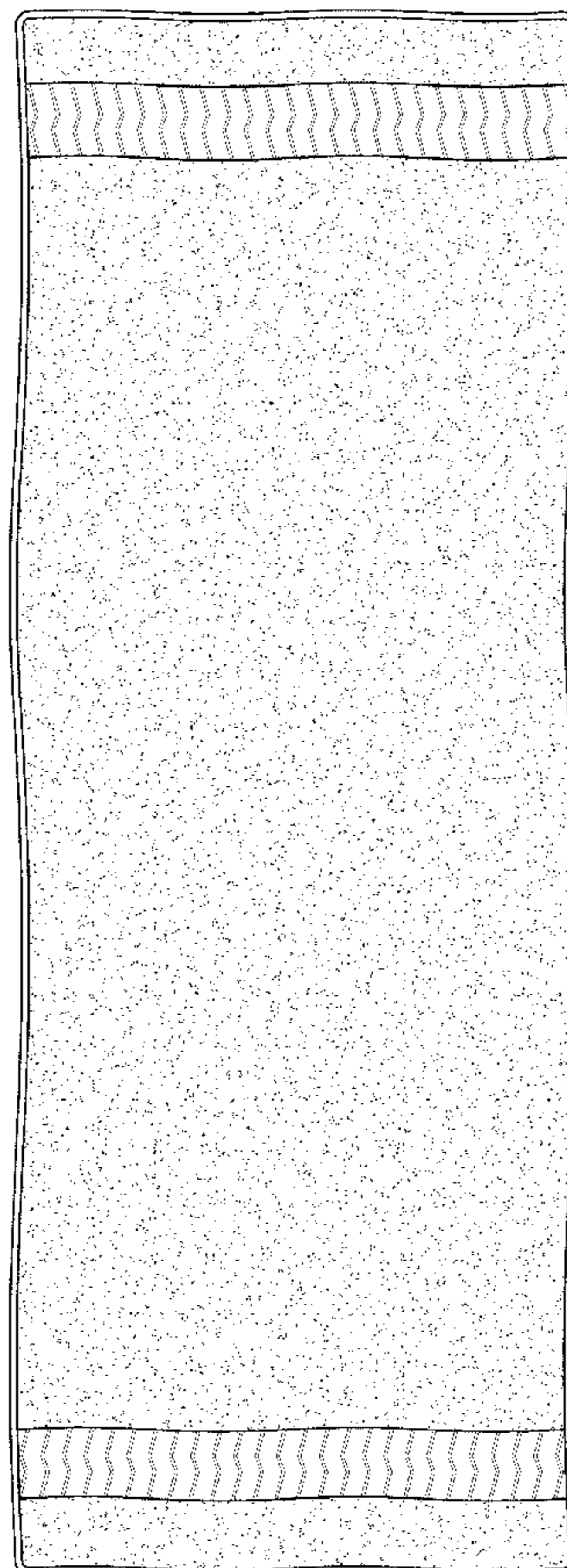
FIG. 4 is a front elevation view thereof;

FIG. 5 is a rear elevation view thereof; and,

FIG. 6 is an isometric view thereof, shown in use.

The broken lines in the drawings depict environmental subject matter only and form no part of the claimed design.

1 Claim, 3 Drawing Sheets



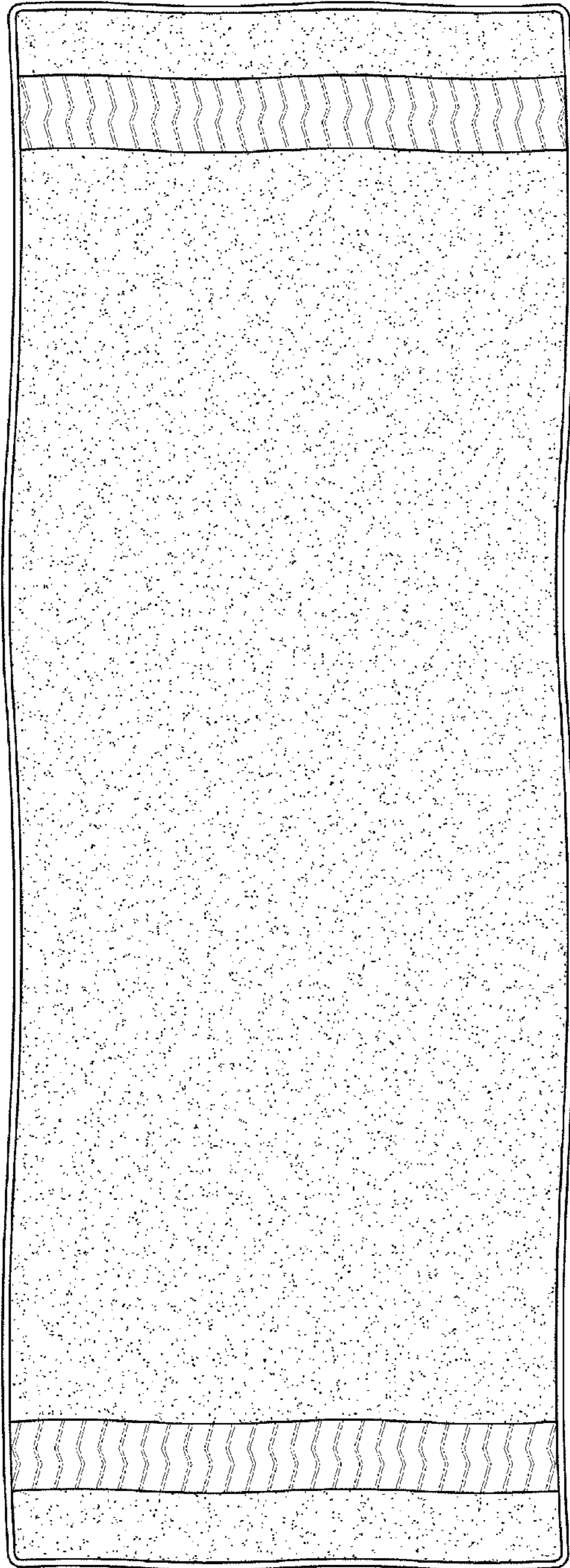


FIG. 1

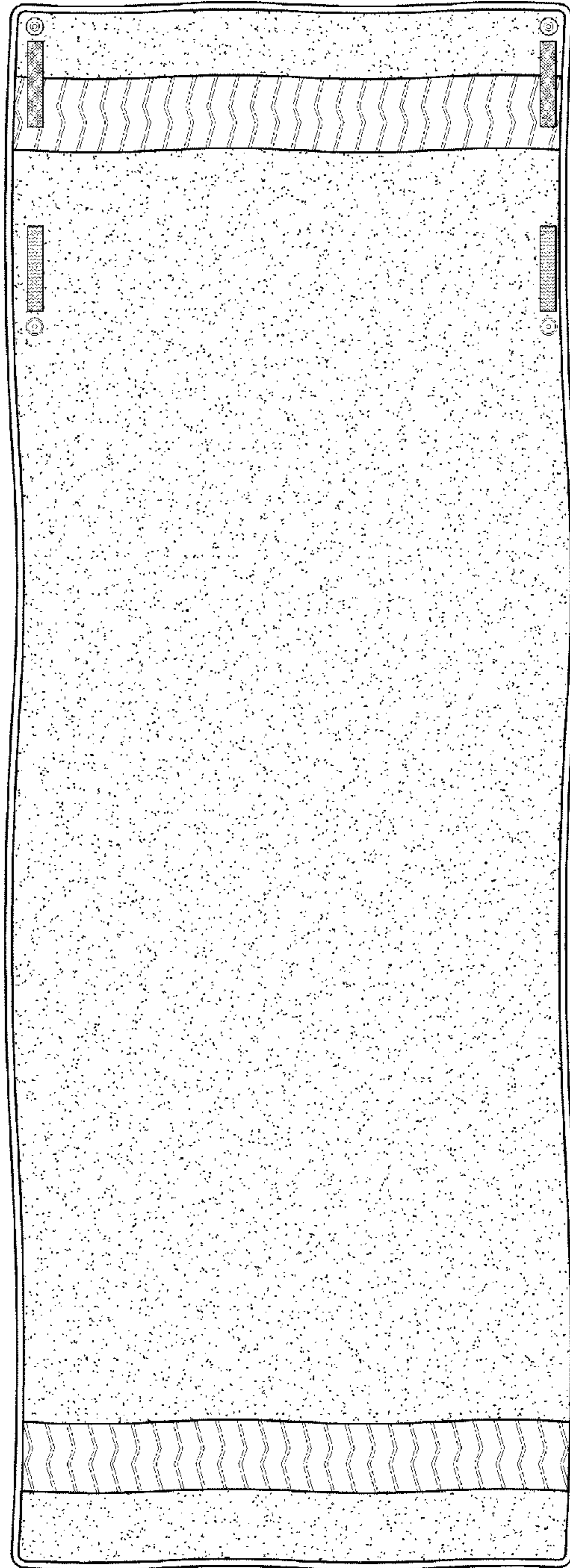


FIG. 2



FIG. 3



FIG. 4

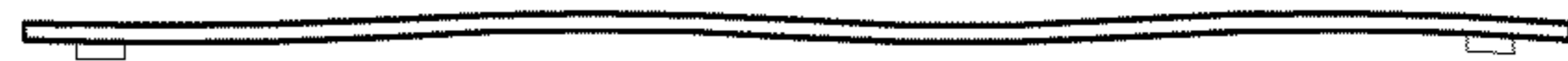


FIG. 5

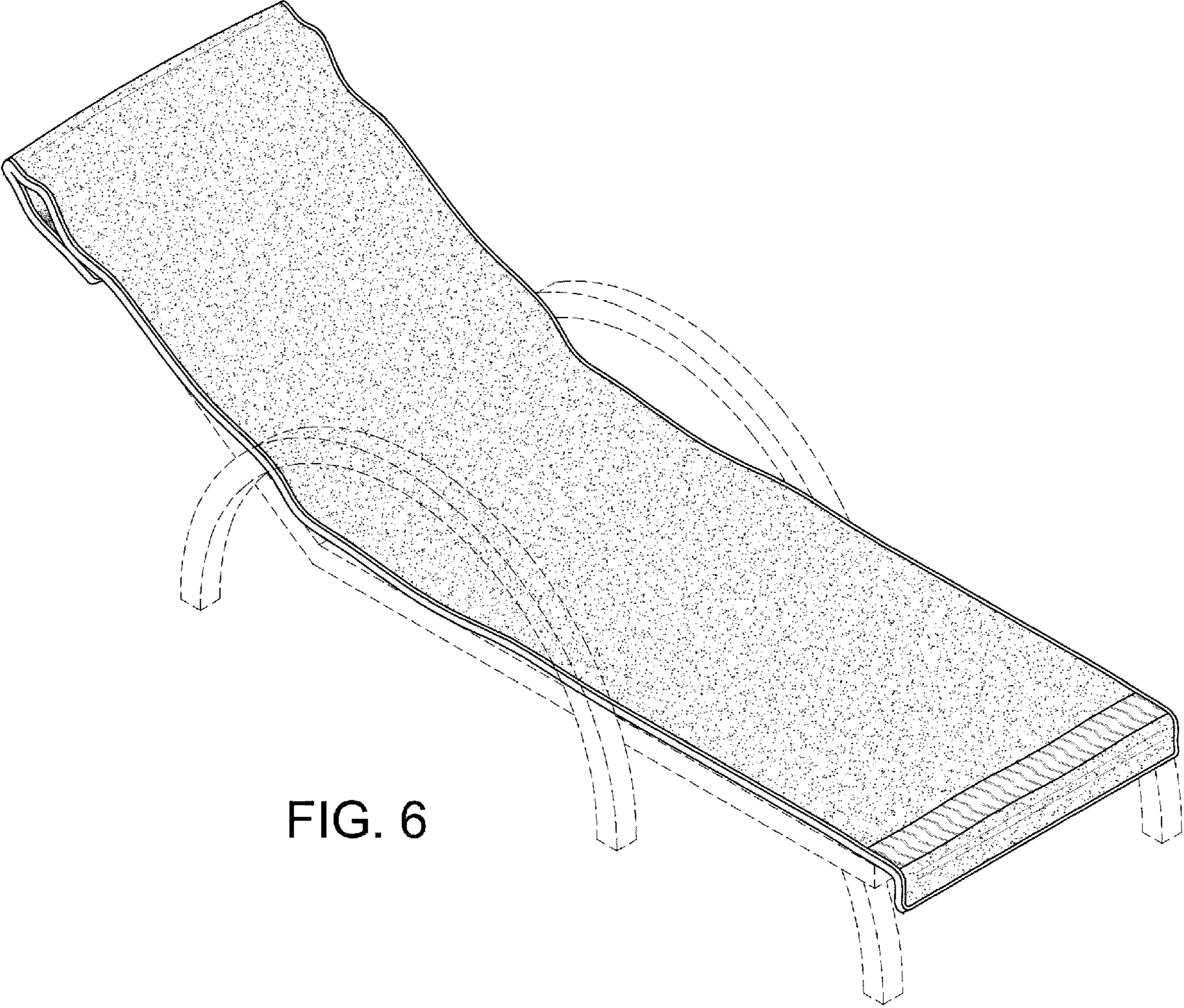


FIG. 6