



US00D637027S

(12) **United States Design Patent**
Withers

(10) **Patent No.:** **US D637,027 S**

(45) **Date of Patent:** **** May 3, 2011**

(54) **WRAP DISPENSING BOX**

(75) Inventor: **Philip C. Withers**, South Bank (AU)

(73) Assignee: **Intellectual Property Development Corporation Pty Ltd**, Melbourne, Victoria (AU)

(**) Term: **14 Years**

(21) Appl. No.: **29/316,839**

(22) Filed: **Oct. 15, 2009**

(51) **LOC (9) Cl.** **20-02**

(52) **U.S. Cl.** **D6/518**

(58) **Field of Classification Search** D6/515,
D6/518-523; D3/201; 206/389, 391, 407,
206/409; 312/34.1, 34.8; 211/16, 85.5, 59.2;
221/92, 97, 185, 282, 284; 242/159, 160.2,
242/550, 560, 590, 595, 588, 598, 598.3,
242/598.6

See application file for complete search history.

(56) **References Cited**

U.S. PATENT DOCUMENTS

5,036,740	A	8/1991	Tsai	
D396,978	S *	8/1998	Kaiser et al.	D6/518
D546,603	S *	7/2007	Cittadino et al.	D6/518
D603,635	S *	11/2009	Krebs	D6/518

D616,233	S *	5/2010	Yang	D6/518
2005/0035133	A1	2/2005	Gerulski et al.	
2006/0202079	A1	9/2006	Pavlik	
2007/0022857	A1	2/2007	Schreiter	
2009/0293695	A1	12/2009	Sacchetta	

* cited by examiner

Primary Examiner — Brian N Vinson

(74) *Attorney, Agent, or Firm* — Hamilton, Brook, Smith & Reynolds, P.C.

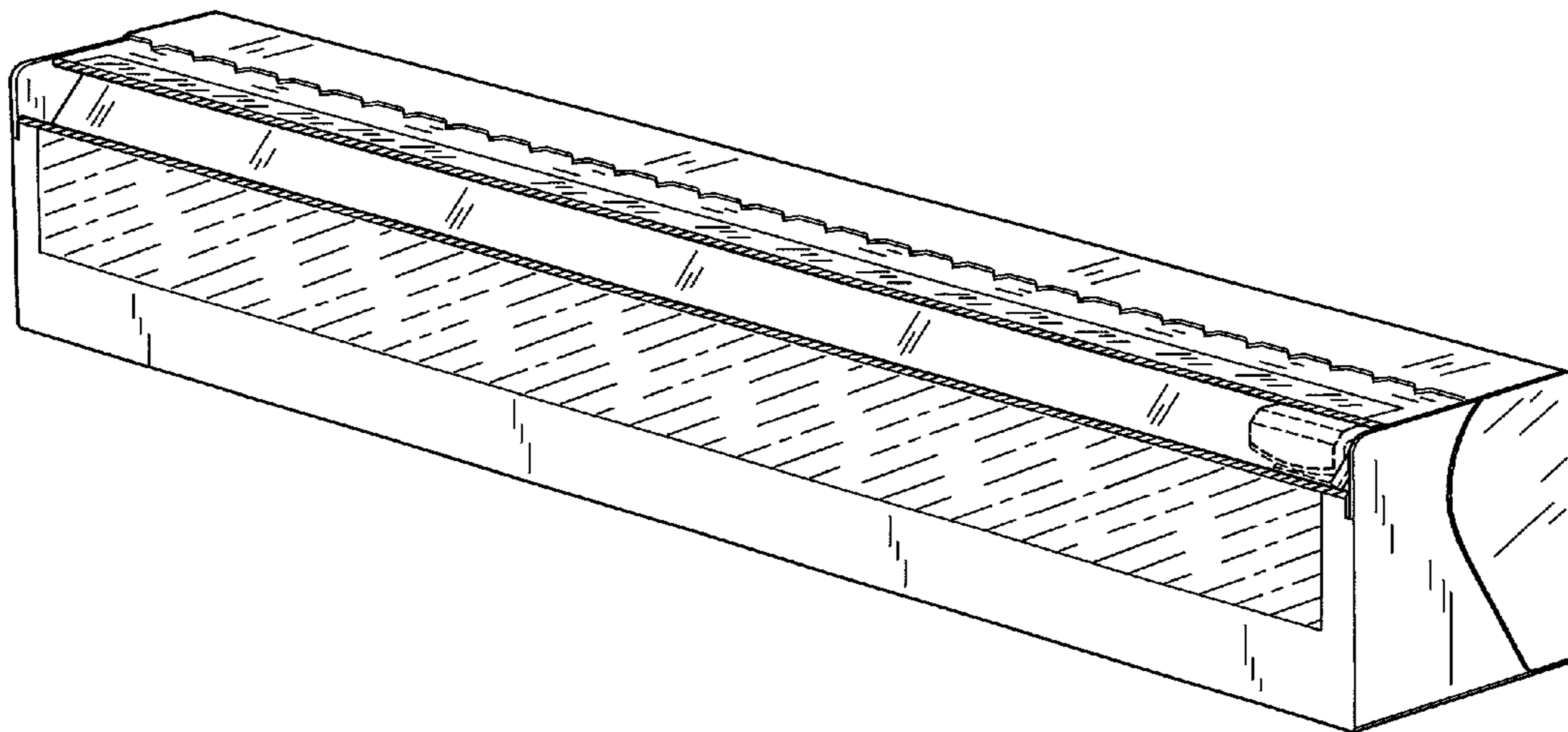
(57) **CLAIM**

The ornamental design for a wrap dispensing box, as shown and described.

DESCRIPTION

FIG. 1 is a front perspective view of the wrap dispensing box embodying the present design;
 FIG. 2 is a front view of the wrap dispensing box;
 FIG. 3 is a rear view of the wrap dispensing box;
 FIG. 4 is a right side view of the wrap dispensing box;
 FIG. 5 is a left side view of the wrap dispensing box;
 FIG. 6 is a top view of the wrap dispensing box; and,
 FIG. 7 is a bottom view of the wrap dispensing box.
 The broken-line disclosure in the views is understood to represent portions of the article in which the claimed design is embodied, but which forms no part of the claimed design.

1 Claim, 4 Drawing Sheets



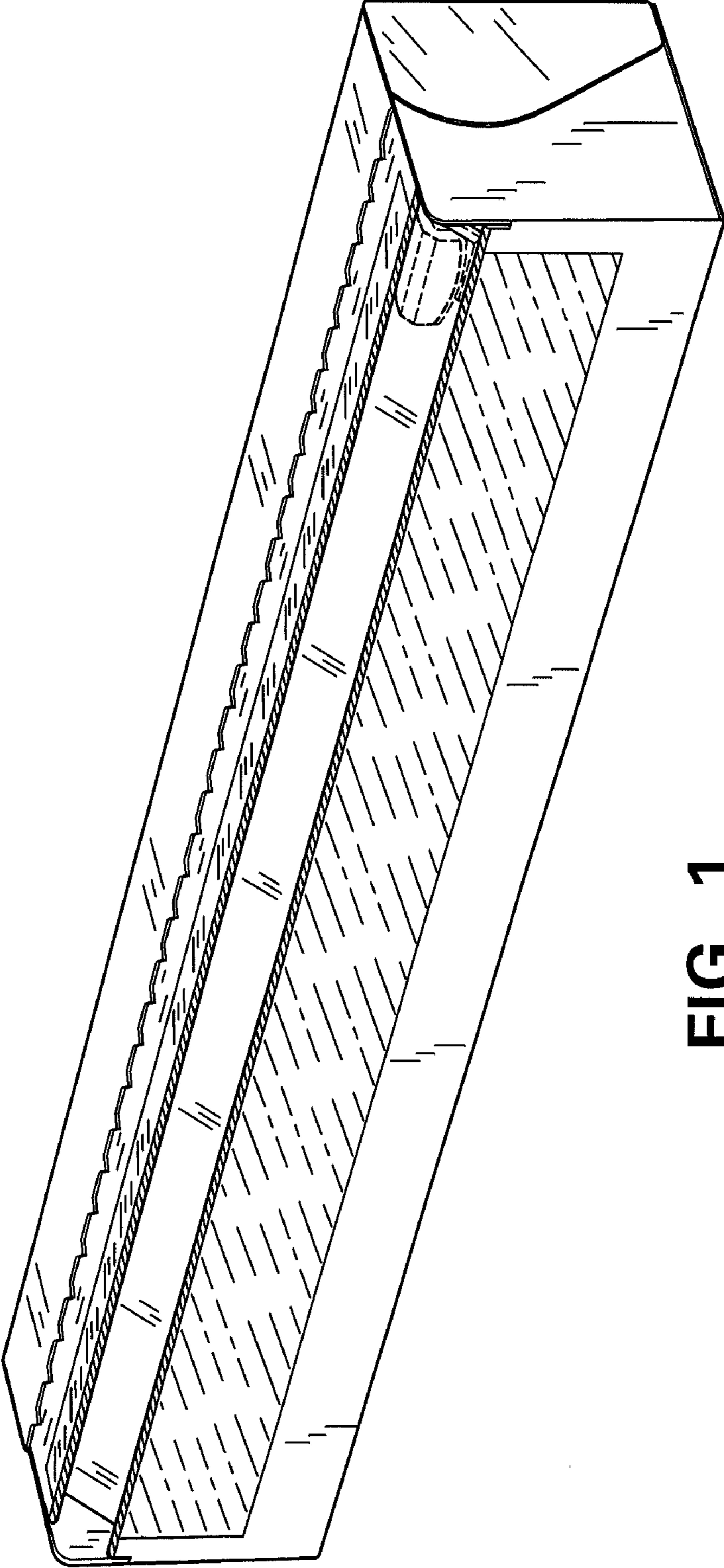


FIG. 1

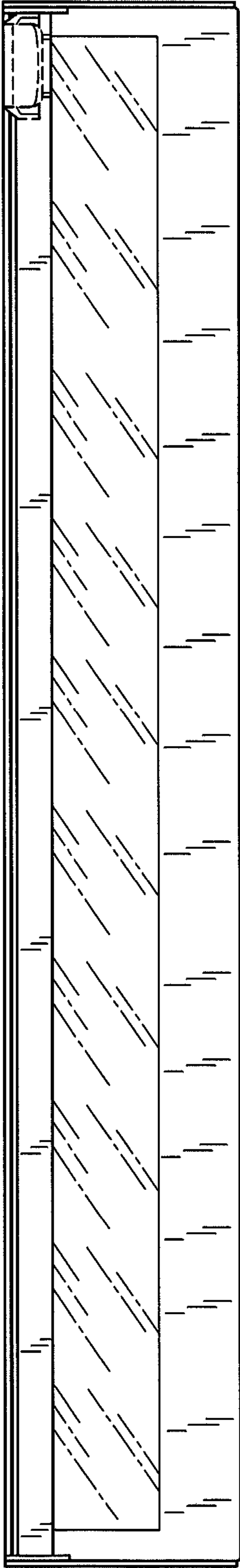


FIG. 2

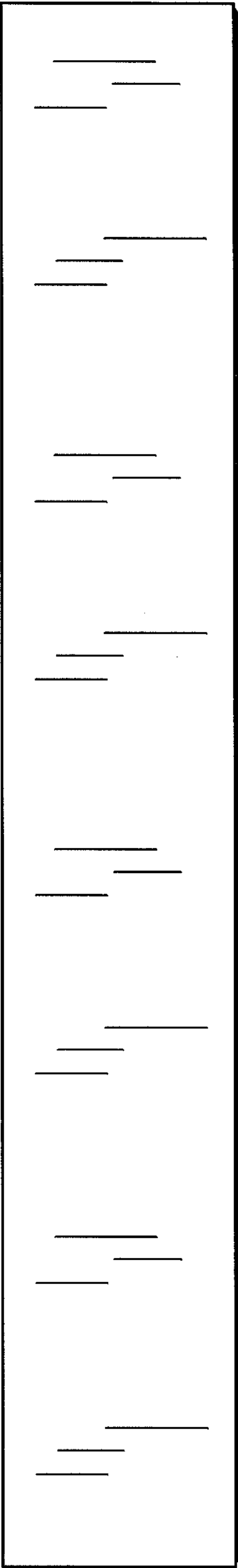


FIG. 3

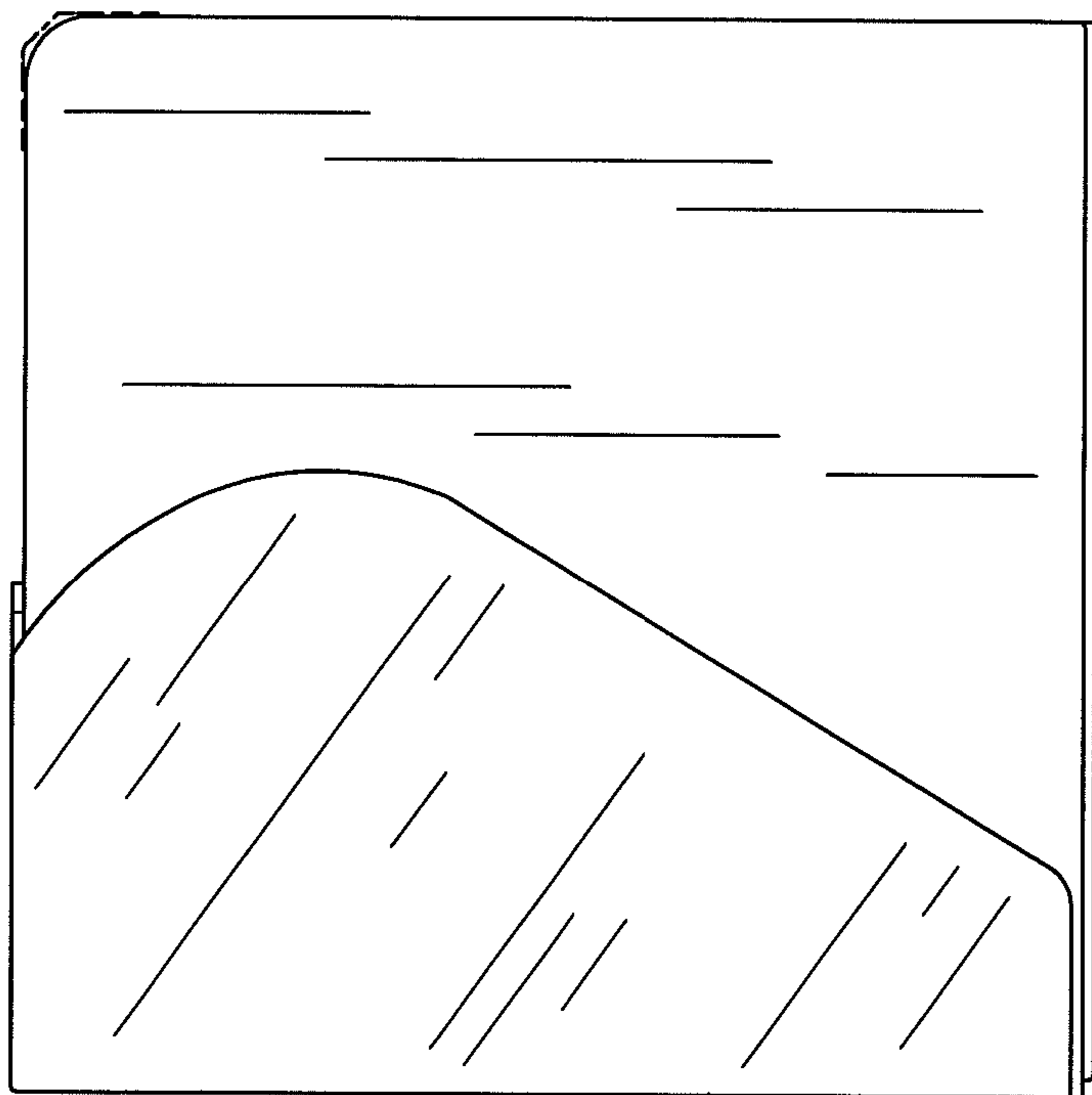


FIG. 5

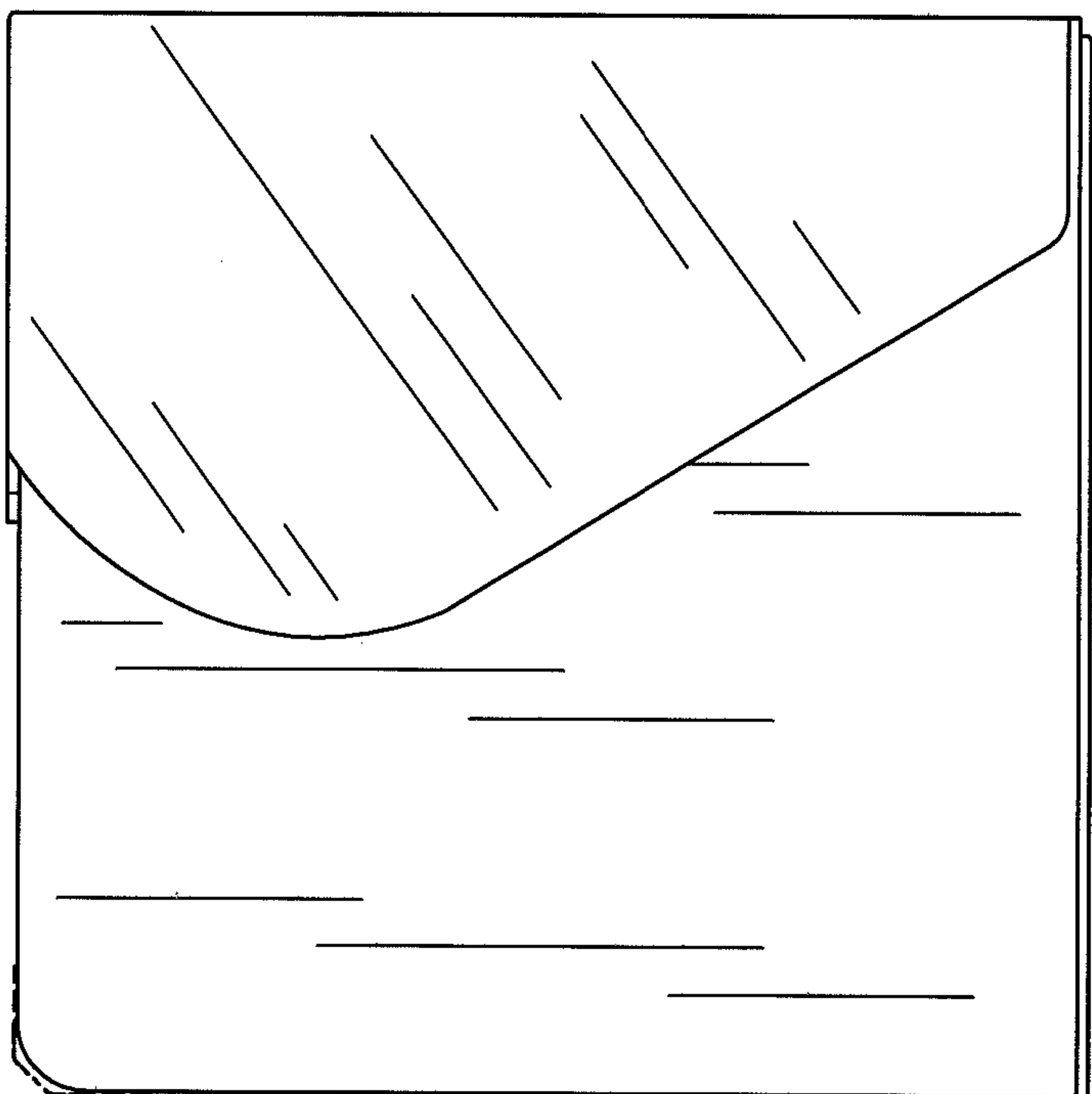


FIG. 4

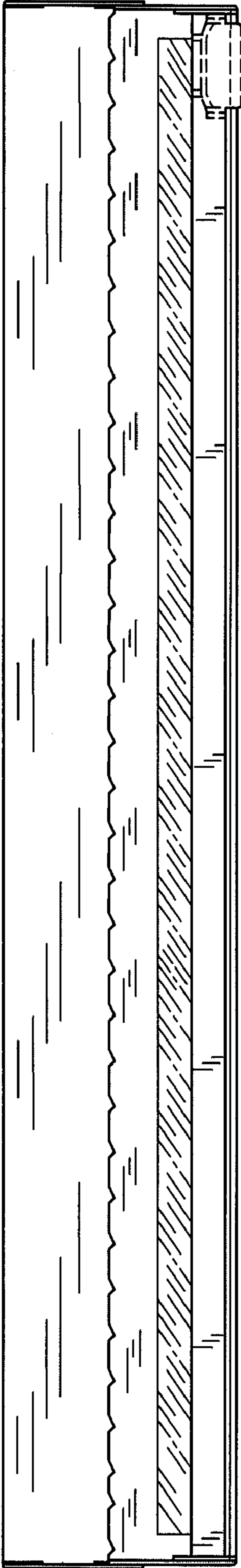


FIG. 6

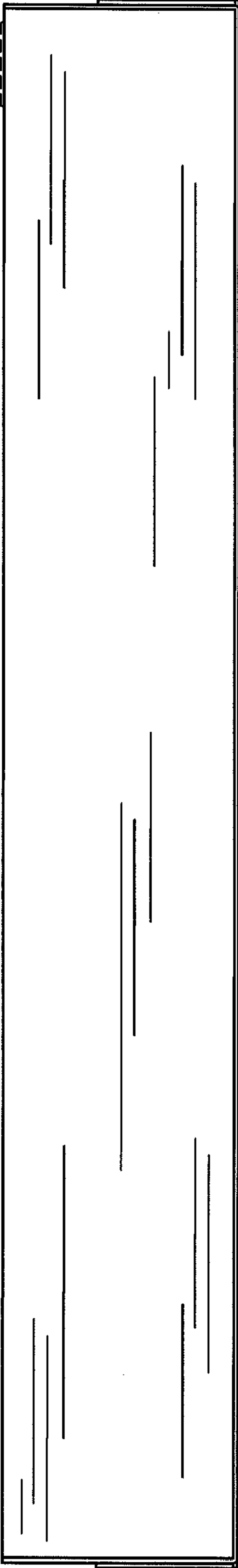


FIG. 7